



US00D692555S

(12) **United States Design Patent**
Maksym et al.

(10) **Patent No.:** **US D692,555 S**

(45) **Date of Patent:** **** *Oct. 29, 2013**

(54) **RESPIRATORY DEVICE FILTER**

(75) Inventors: **Geoffrey Nicholas Maksym**, Dartmouth (CA); **Ewan Kearney MacKenzie**, Halifax (CA); **Christopher Gordon Estkowski**, Pullman, MI (US); **Guy Drapeau**, Dartmouth (CA)

(73) Assignee: **Dalhousie University**, Halifax, Nova Scotia (CA)

(*) Notice: This patent is subject to a terminal disclaimer.

(**) Term: **14 Years**

(21) Appl. No.: **29/361,420**

(22) Filed: **May 11, 2010**

(51) **LOC (9) Cl.** **29-02**

(52) **U.S. Cl.**
USPC **D24/110.5; D24/110**

(58) **Field of Classification Search**
USPC **D24/110, 110.5, 162, 164; 128/200.24, 128/202.13; 482/13; 600/531, 532, 533, 600/538**

See application file for complete search history.

(56) **References Cited**

U.S. PATENT DOCUMENTS

D263,166	S	*	2/1982	Bushman	D24/110
4,770,413	A	*	9/1988	Green	482/13
5,284,054	A	*	2/1994	Loebach	73/23.3
D476,413	S	*	6/2003	Pearce et al.	D24/110.5
D511,210	S	*	11/2005	Cardona Burrull	D24/110.5
D571,012	S	*	6/2008	Mitchell	D24/164
D574,951	S	*	8/2008	Reusch	D24/110
D618,336	S	*	6/2010	Wood	D24/110

* cited by examiner

Primary Examiner — Ian Simmons

Assistant Examiner — Richelle Shelton

(74) *Attorney, Agent, or Firm* — Honigman Miller Schwartz and Cohn, LLP; Fernando Alberdi; Jonathan P. O'Brien

(57) **CLAIM**

The ornamental design for a respiratory device filter, as shown and described.

DESCRIPTION

FIG. 1 is a perspective view of a first embodiment of a respiratory device filter, made according to the new design; FIG. 2 is a front elevational view of the respiratory device filter of FIG. 1;

FIG. 3 is a rear elevational view of the respiratory device filter of FIG. 1;

FIG. 4 is a right side elevational view of the respiratory device filter of FIG. 1;

FIG. 5 is a left side elevational view of the respiratory device filter of FIG. 1;

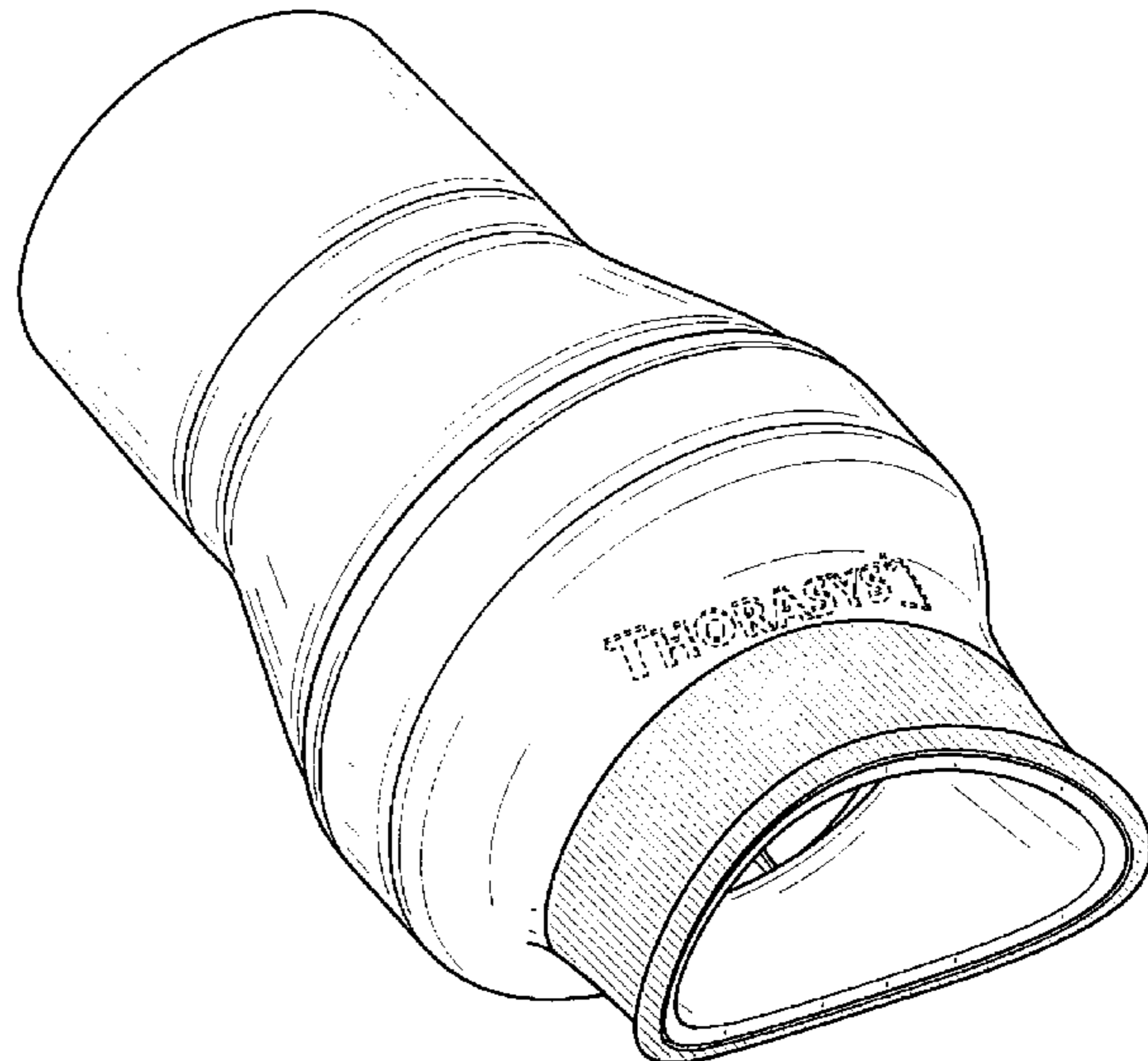
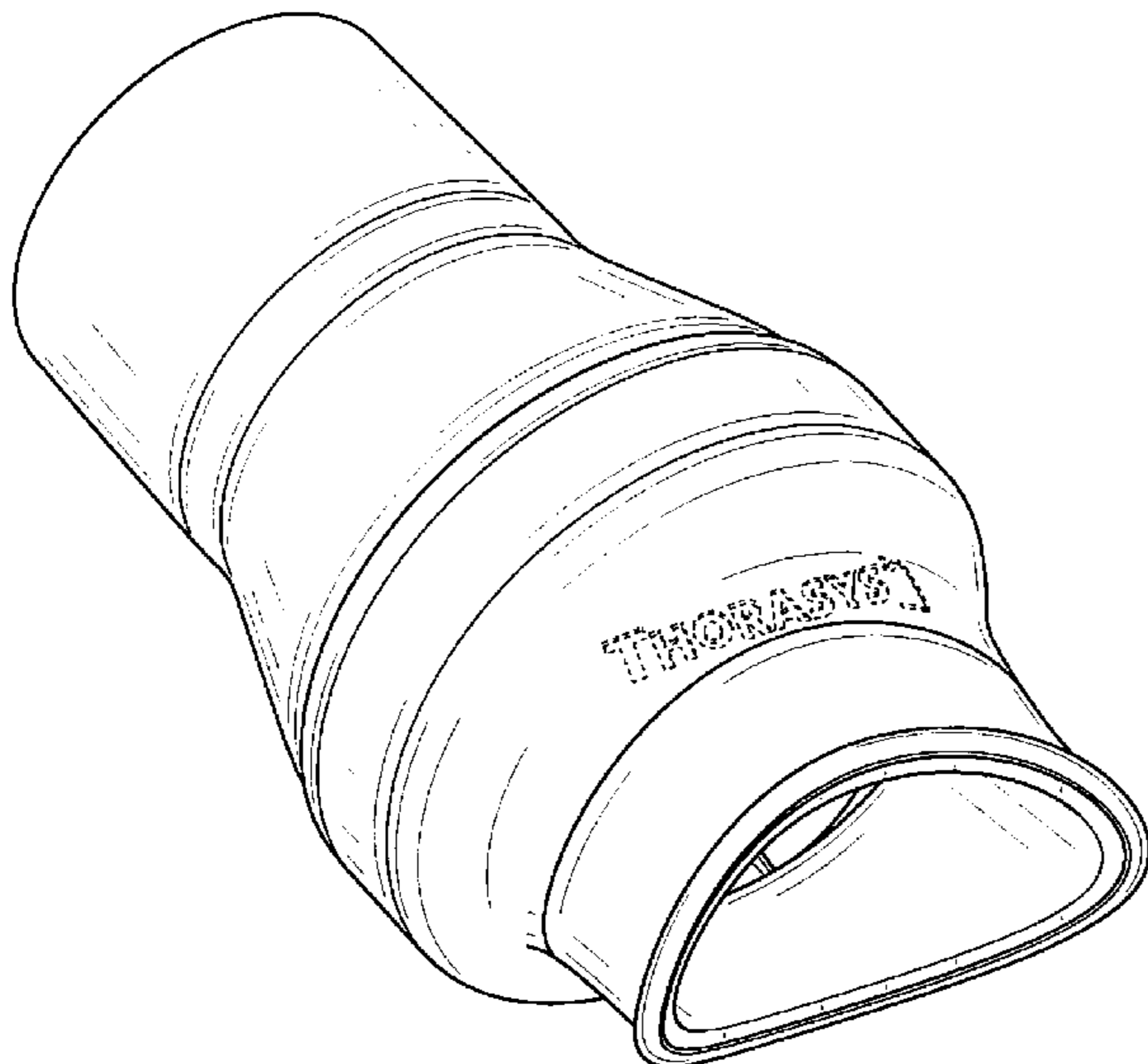
FIG. 6 is a top plan view of the respiratory device filter of FIG. 1;

FIG. 7 is a bottom plan view of the respiratory device filter of FIG. 1; and,

FIG. 8 is a perspective view of a second embodiment of a respiratory device filter of FIG. 1, the only difference being the inclusion of shading on the mouthpiece to contrast the color between the mouthpiece and the remainder body of the first embodiment, it being understood that all other surfaces are the same as those of the first embodiment.

The broken line showing of lettering is included for the purpose of illustrating an internal boundary with the line itself and the area within forming no part of the claimed design.

1 Claim, 7 Drawing Sheets



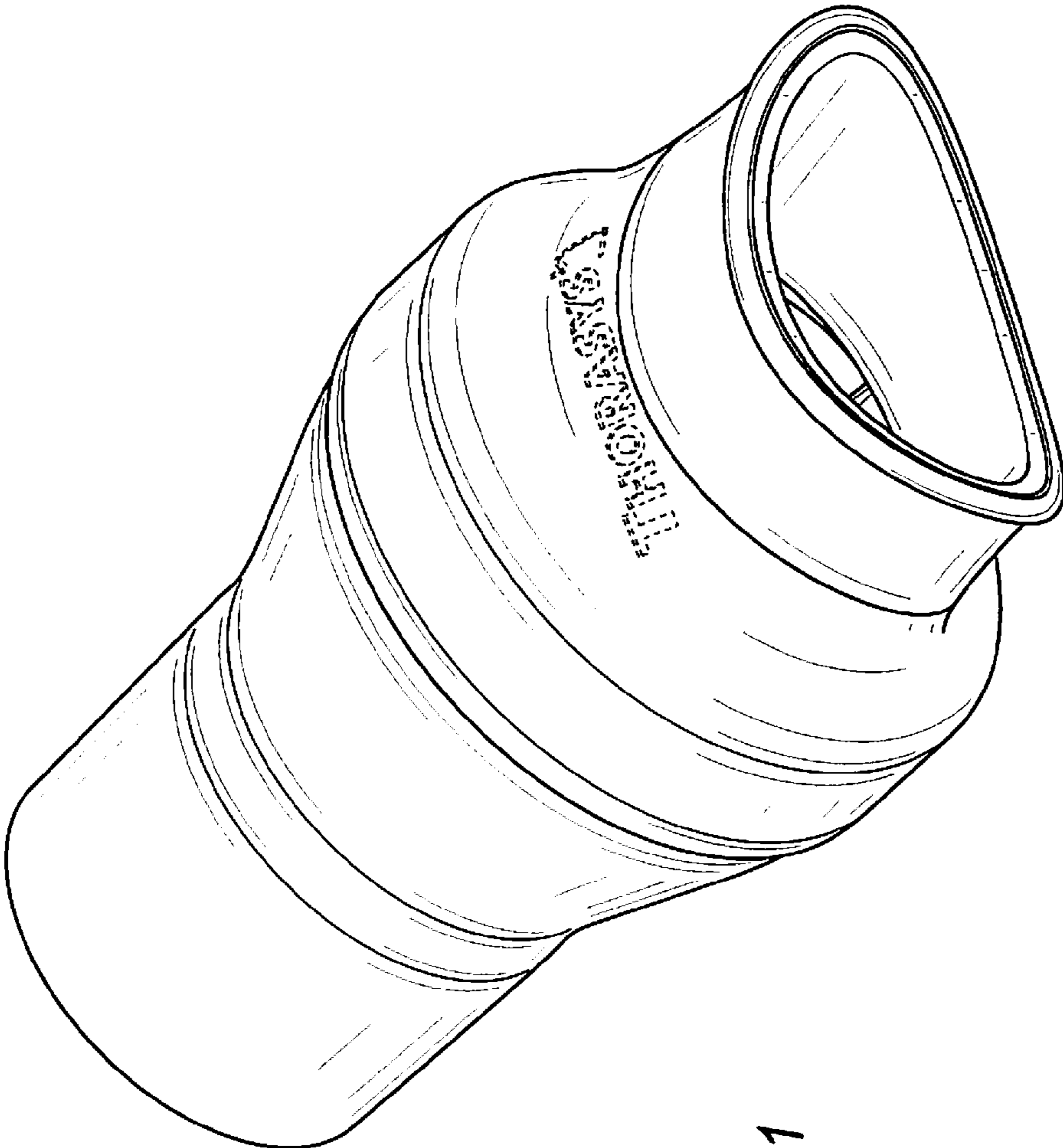


FIG. 1

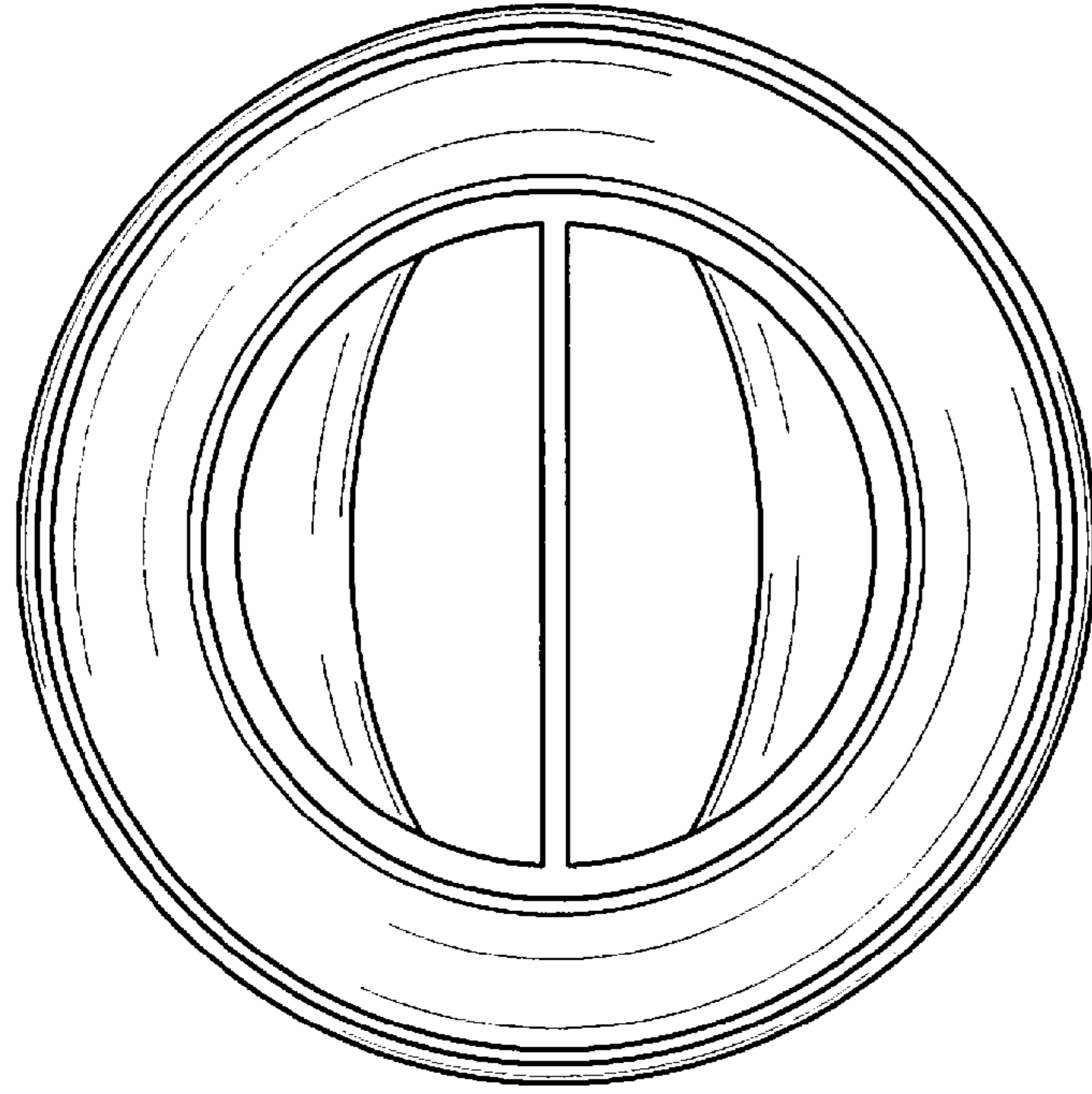


FIG. 3

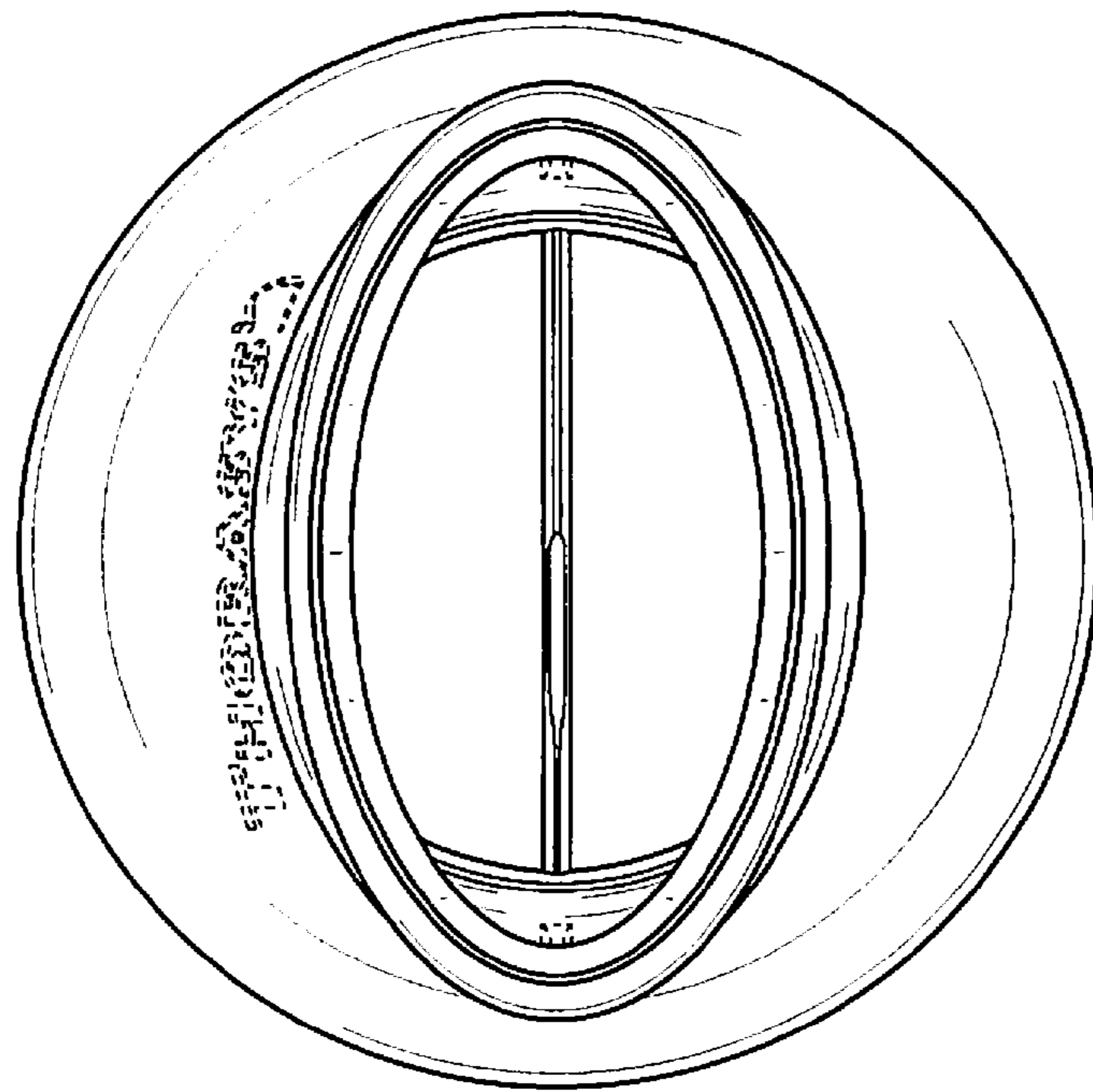


FIG. 2

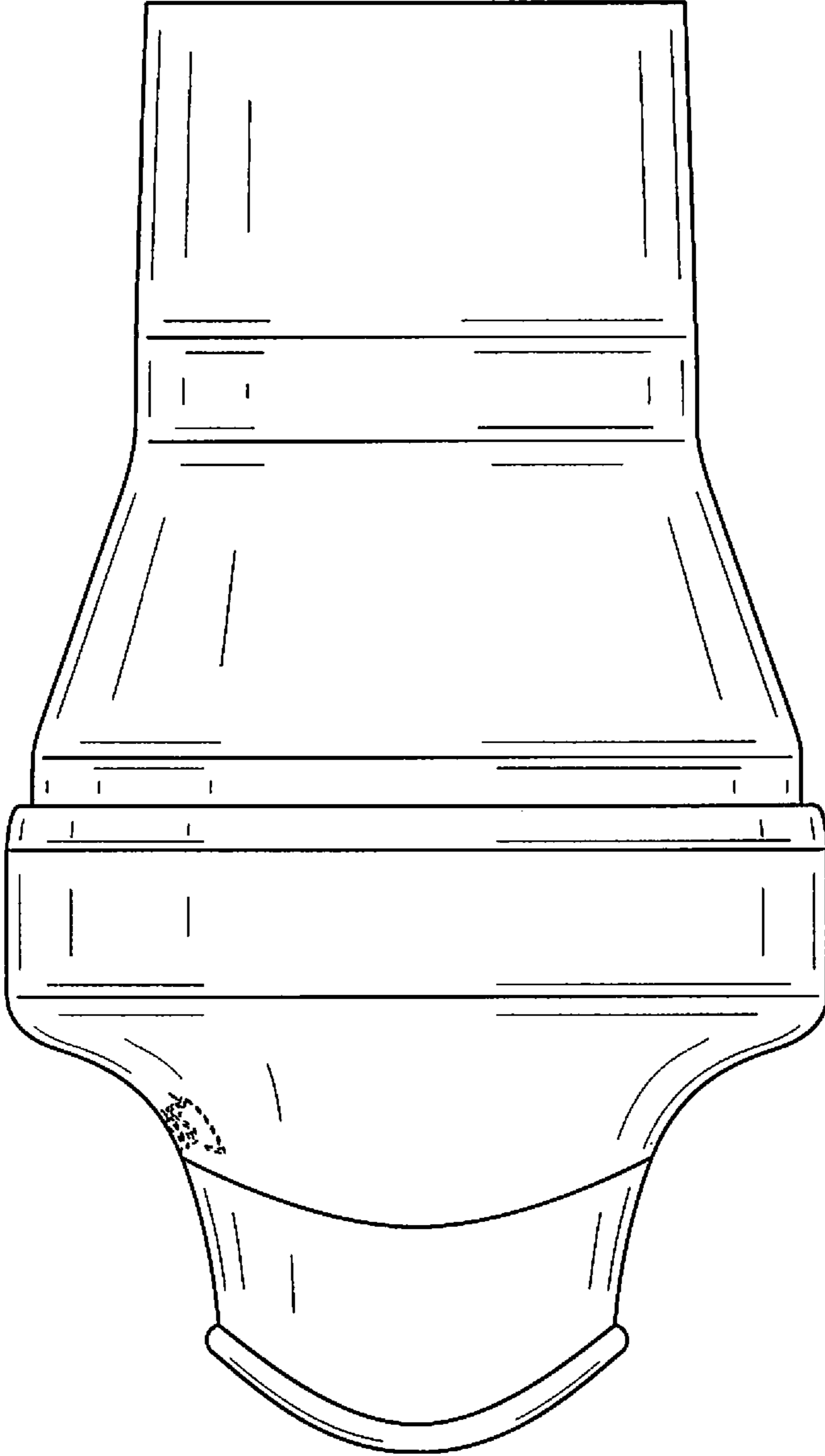


FIG. 4

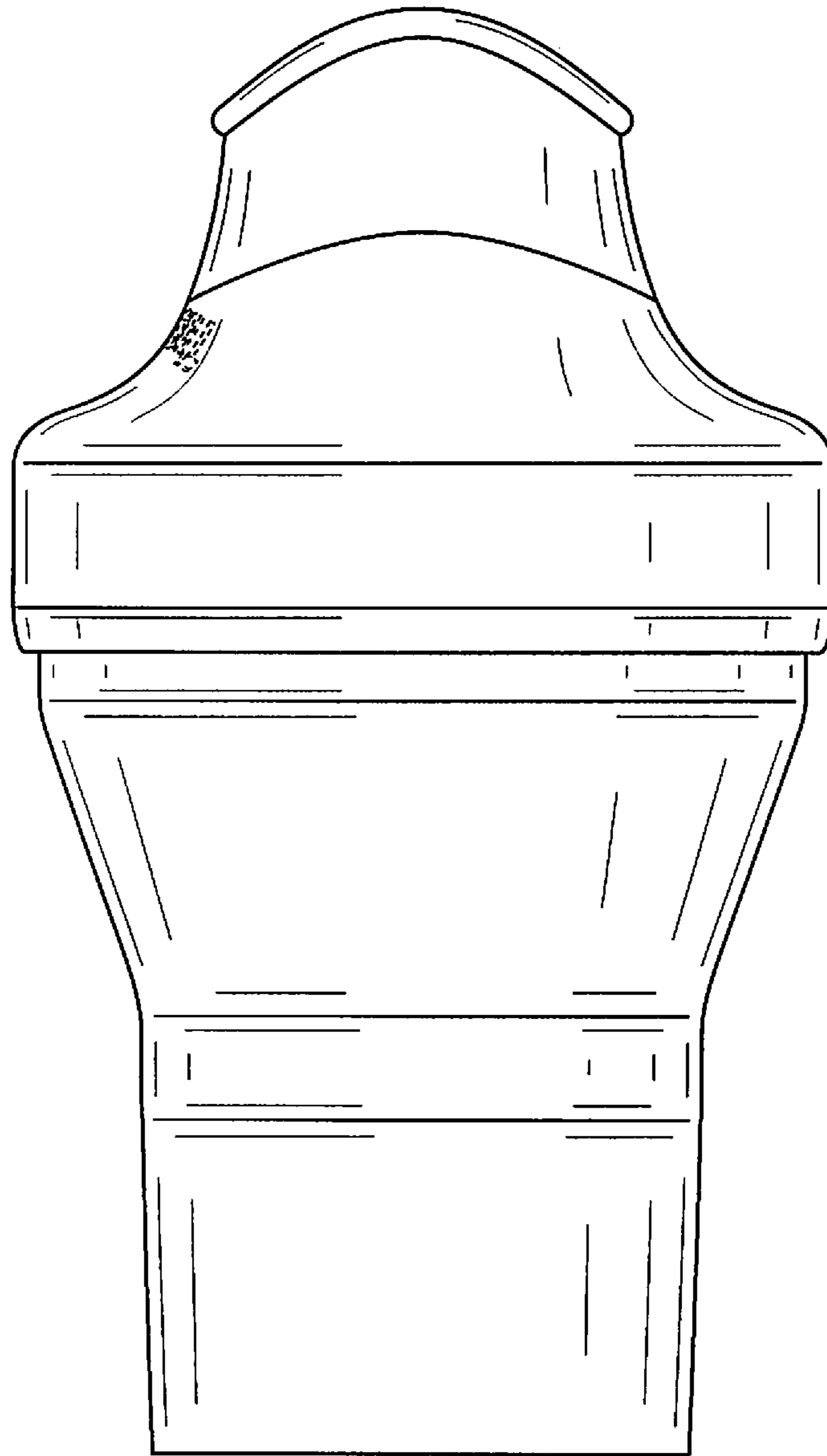


FIG. 5

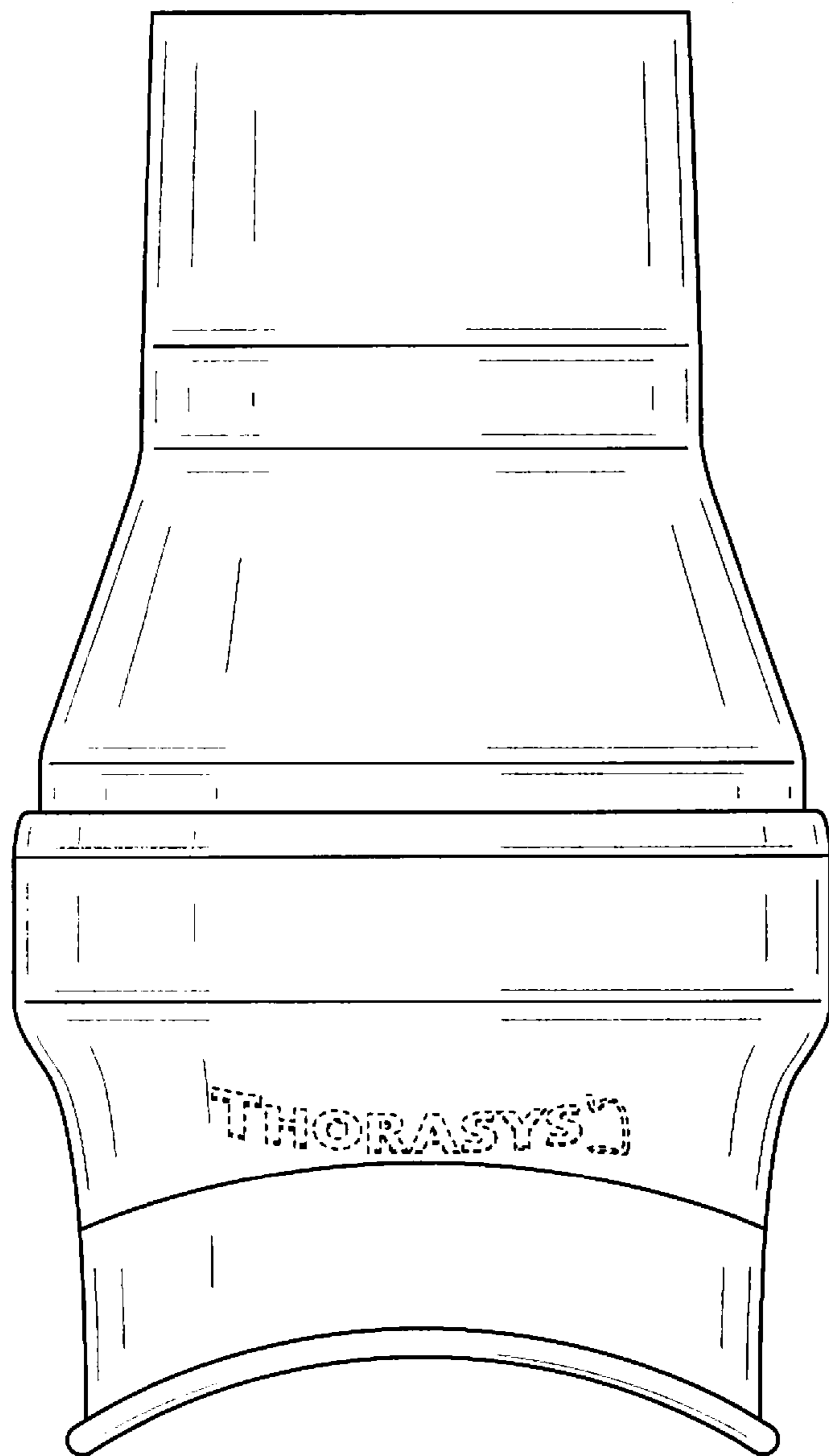


FIG. 6

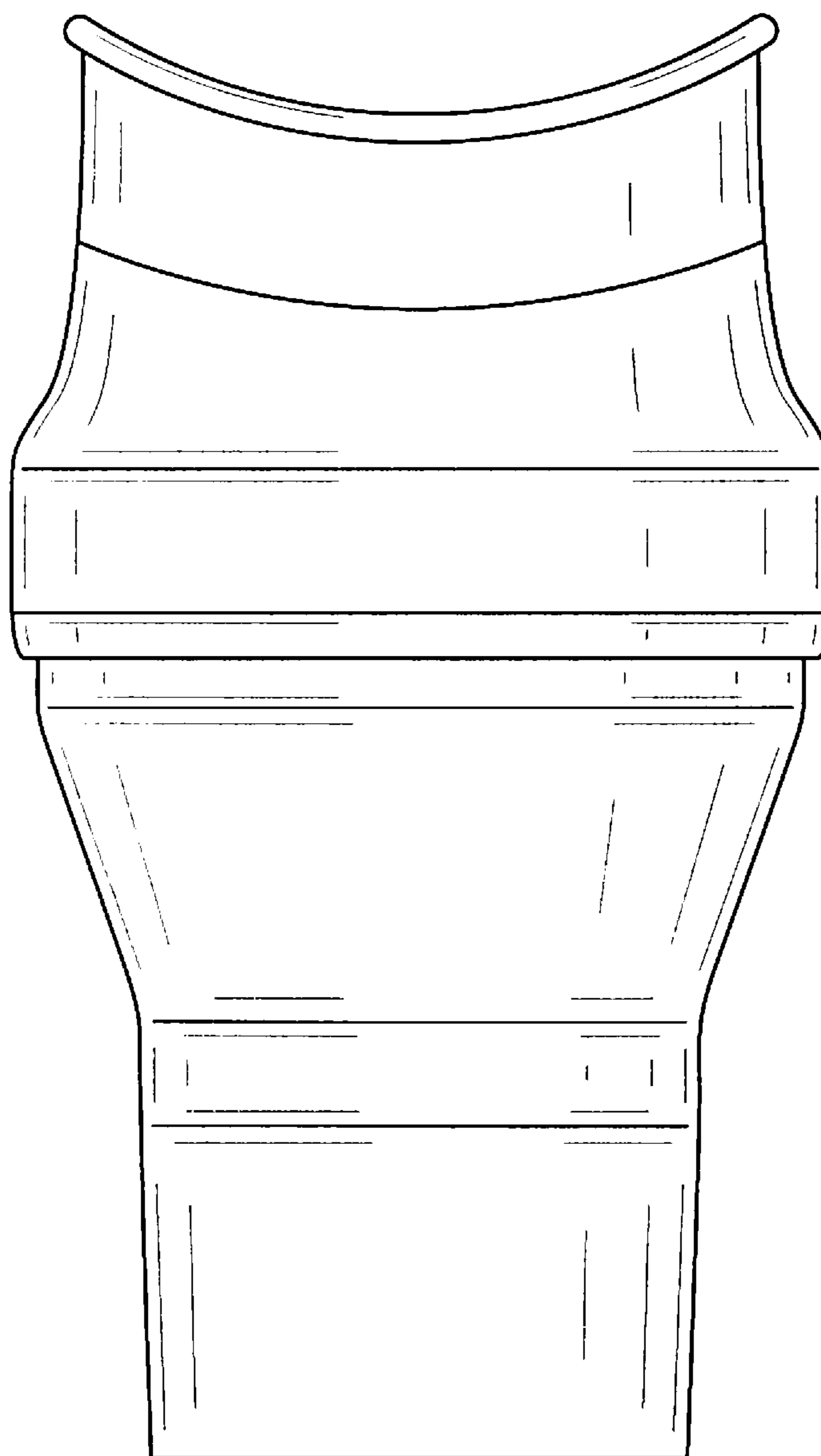


FIG. 7

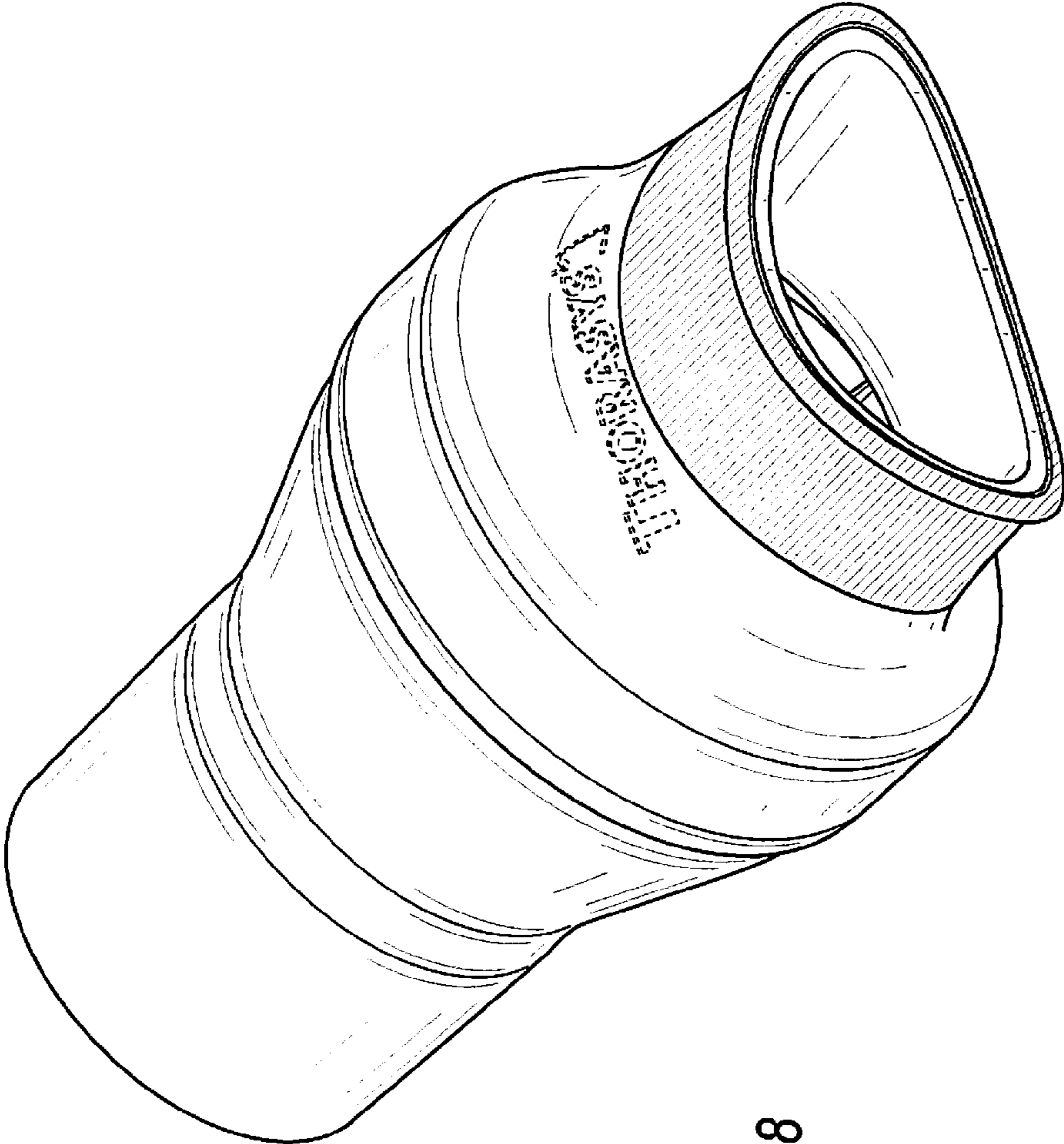


FIG. 8