



US00D692551S

(12) **United States Design Patent**  
**Wirz**

(10) **Patent No.:** **US D692,551 S**

(45) **Date of Patent:** **\*\* Oct. 29, 2013**

- (54) **AROMA-DIFFUSING APPARATUS**
- (71) Applicant: **Serene House International Enterprise Ltd.**, Road Town (VG)
- (72) Inventor: **Peter Wirz**, Lucerne (SZ)
- (73) Assignee: **Serene House International Enterprise Ltd.**, Road Town (VG)
- (\*\*) Term: **14 Years**
- (21) Appl. No.: **29/452,385**
- (22) Filed: **Apr. 16, 2013**
- (51) **LOC (9) Cl.** ..... **28-99**
- (52) **U.S. Cl.**  
USPC ..... **D23/366**
- (58) **Field of Classification Search**  
USPC ..... D23/355-369; D28/5, 6; 261/DIG. 17, 261/DIG. 42, DIG. 65, DIG. 88, DIG. 89, 261/DIG. 47, DIG. 55, DIG. 70; 392/356, 392/390, 392, 394, 395; 239/34, 44, 53, 55, 239/56, 326, 60, 308  
See application file for complete search history.

D544,084 S *	6/2007	Michaels et al. ....	D23/366
D547,850 S *	7/2007	Michaels et al. ....	D23/366
D550,341 S *	9/2007	Di Robilant .....	D23/359
D551,502 S *	9/2007	Bodum .....	D7/509
D575,668 S *	8/2008	Rashid et al. ....	D11/152
D579,163 S *	10/2008	Schablinger .....	D32/29.1
D586,255 S *	2/2009	Rashid et al. ....	D11/152
D598,323 S *	8/2009	Bradley et al. ....	D11/152
D599,897 S *	9/2009	Low .....	D23/364
D603,291 S *	11/2009	Wessling .....	D11/121
D610,009 S *	2/2010	Prufer .....	D9/504
D610,667 S *	2/2010	Espiritu, Jr. ....	D23/367
D611,587 S *	3/2010	Dineen .....	D23/366
D611,588 S *	3/2010	Jorgensen .....	D23/366
7,676,988 B2 *	3/2010	Bradley .....	47/62 R
D614,277 S *	4/2010	Hsiao .....	D23/366
D621,494 S *	8/2010	Li .....	D23/366
D621,495 S *	8/2010	Li .....	D23/366
D628,282 S *	11/2010	Espiritu, Jr. ....	D23/366
D631,534 S *	1/2011	Kajizuka .....	D23/366
D631,535 S *	1/2011	Togawa et al. ....	D23/366

(Continued)

*Primary Examiner* — Sandra Snapp  
(74) *Attorney, Agent, or Firm* — Ming Chow; Sinorica, LLC

(57) **CLAIM**  
The ornamental design for an aroma-diffusing apparatus, as shown.

**DESCRIPTION**

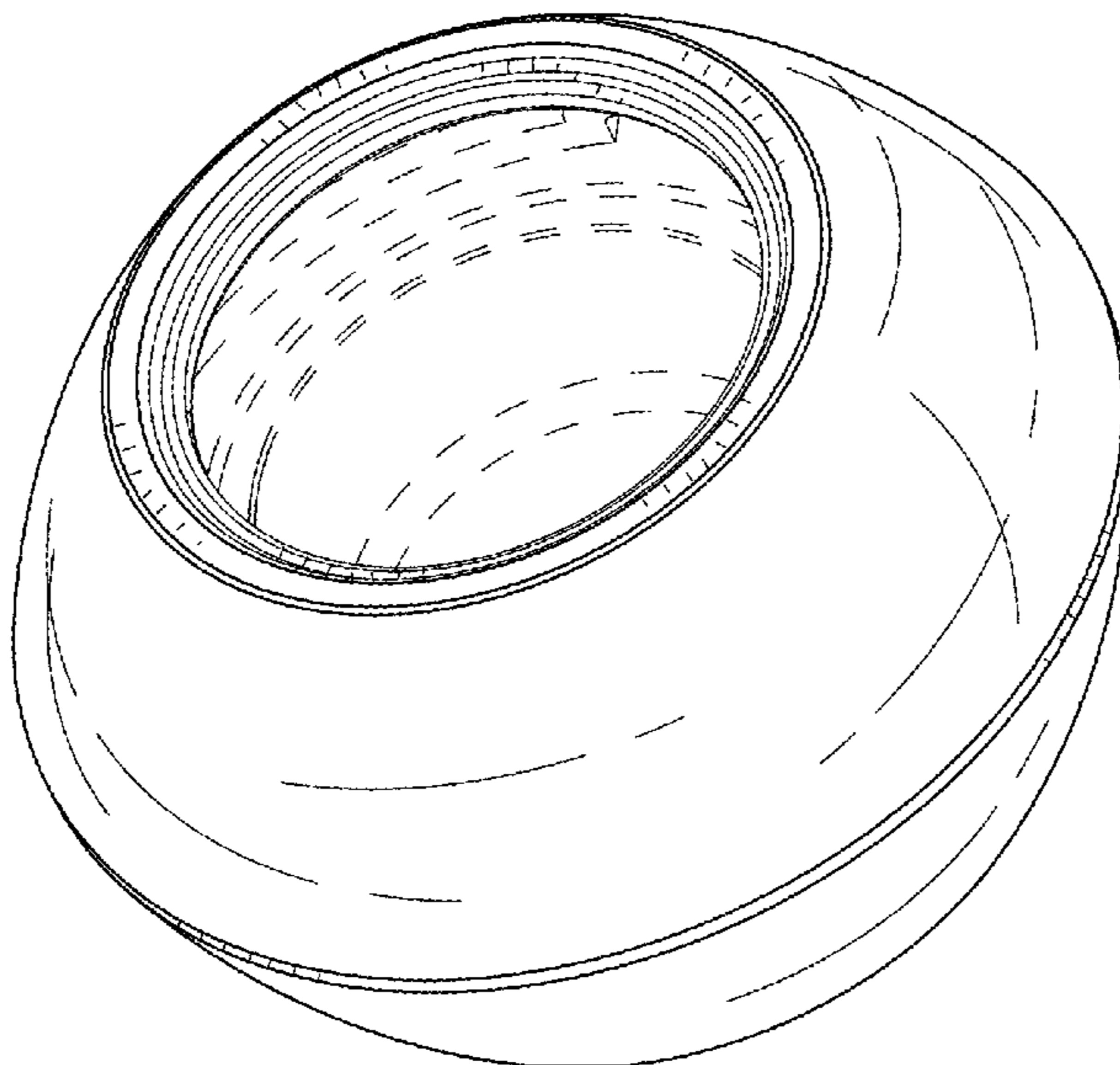
FIG. 1 is a perspective view of an aroma-diffusing apparatus showing my new design;  
FIG. 2 is a front view thereof;  
FIG. 3 is a rear view thereof;  
FIG. 4 is a left side view thereof;  
FIG. 5 is a right side view thereof;  
FIG. 6 is a top view thereof; and,  
FIG. 7 is a bottom view thereof.  
The broken lines shown in the drawings are for illustrative purposes only and form no part of the claimed design.

**1 Claim, 7 Drawing Sheets**

(56) **References Cited**

**U.S. PATENT DOCUMENTS**

D240,829 S *	8/1976	Jones .....	D9/689
D242,461 S *	11/1976	Seymour .....	D23/366
D256,110 S *	7/1980	Dunbar et al. ....	D11/153
D292,311 S *	10/1987	Joyaux et al. ....	D23/366
D392,032 S *	3/1998	Zaragoza et al. ....	D23/369
D449,877 S *	10/2001	Delmenico et al. ....	D23/356
D454,190 S *	3/2002	Trocola .....	D23/366
D510,991 S *	10/2005	Harbutt et al. ....	D23/366
D522,118 S *	5/2006	Miro .....	D23/366
D535,002 S *	1/2007	Caserta et al. ....	D23/366
D535,376 S *	1/2007	Michaels et al. ....	D23/366
D536,081 S *	1/2007	Steinel .....	D23/366



# US D692,551 S

Page 2

---

(56)

## References Cited

### U.S. PATENT DOCUMENTS

D632,211 S \* 2/2011 Bradley et al. .... D11/153  
D632,378 S \* 2/2011 Deflorian et al. .... D23/366  
D648,019 S \* 11/2011 Morneault et al. .... D23/366

D652,131 S \* 1/2012 Ritzenhoff ..... D23/366  
D662,581 S \* 6/2012 Savegnago ..... D23/366  
D667,750 S \* 9/2012 McKay ..... D11/143  
D676,950 S \* 2/2013 Angulo ..... D23/366  
2003/0080197 A1\* 5/2003 Tuomikoski et al. .... 239/44

\* cited by examiner

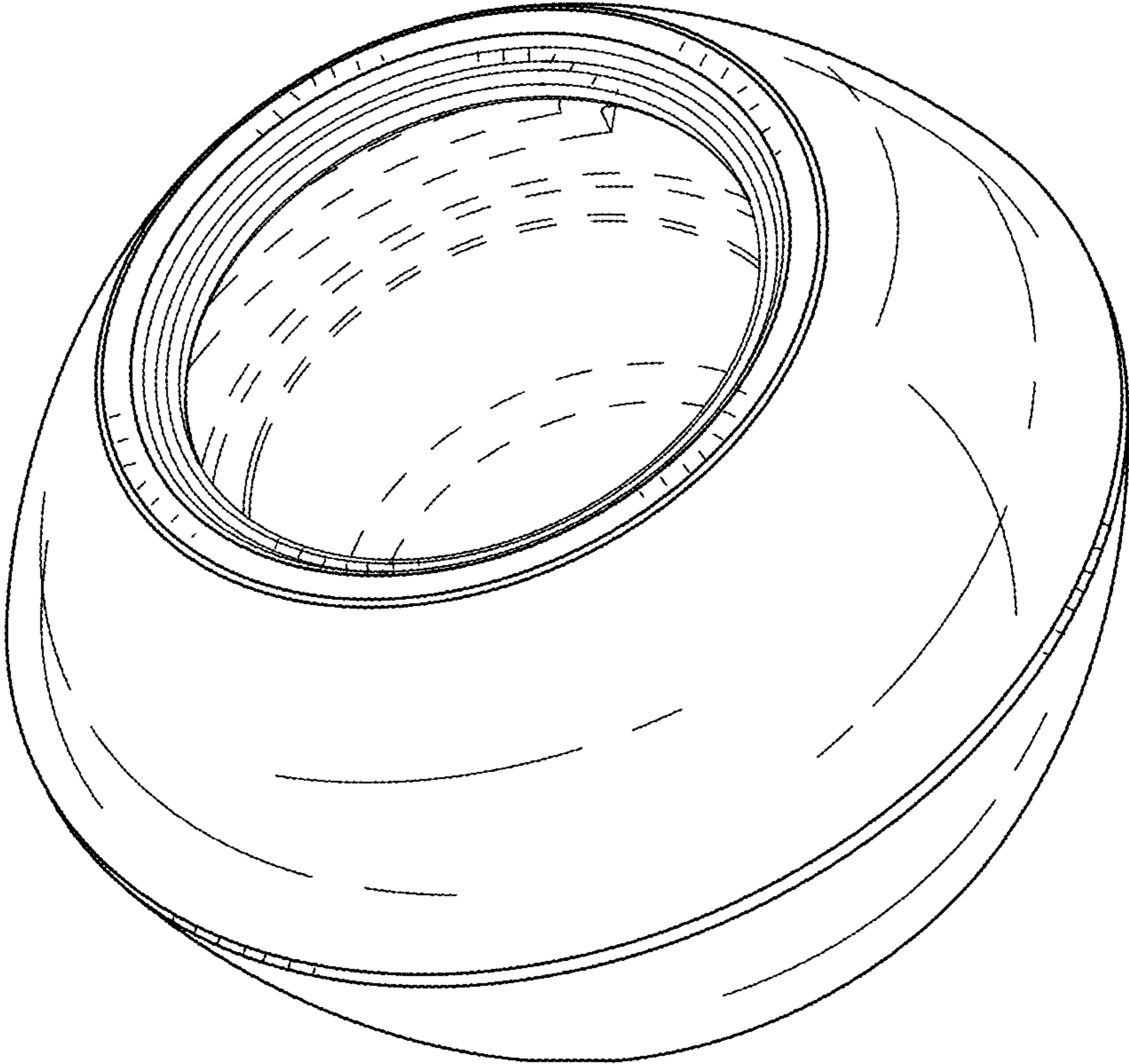


FIG. 1

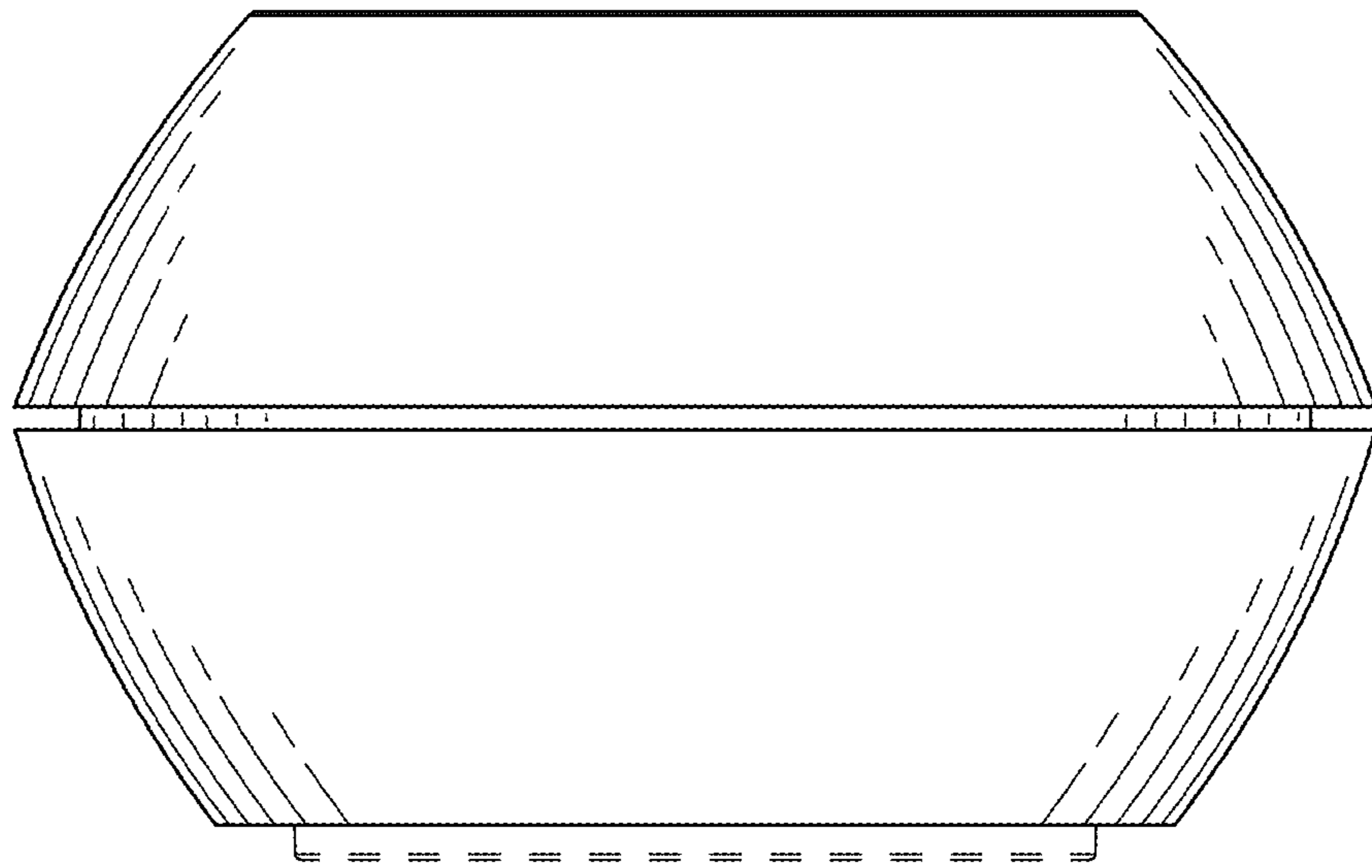


FIG. 2

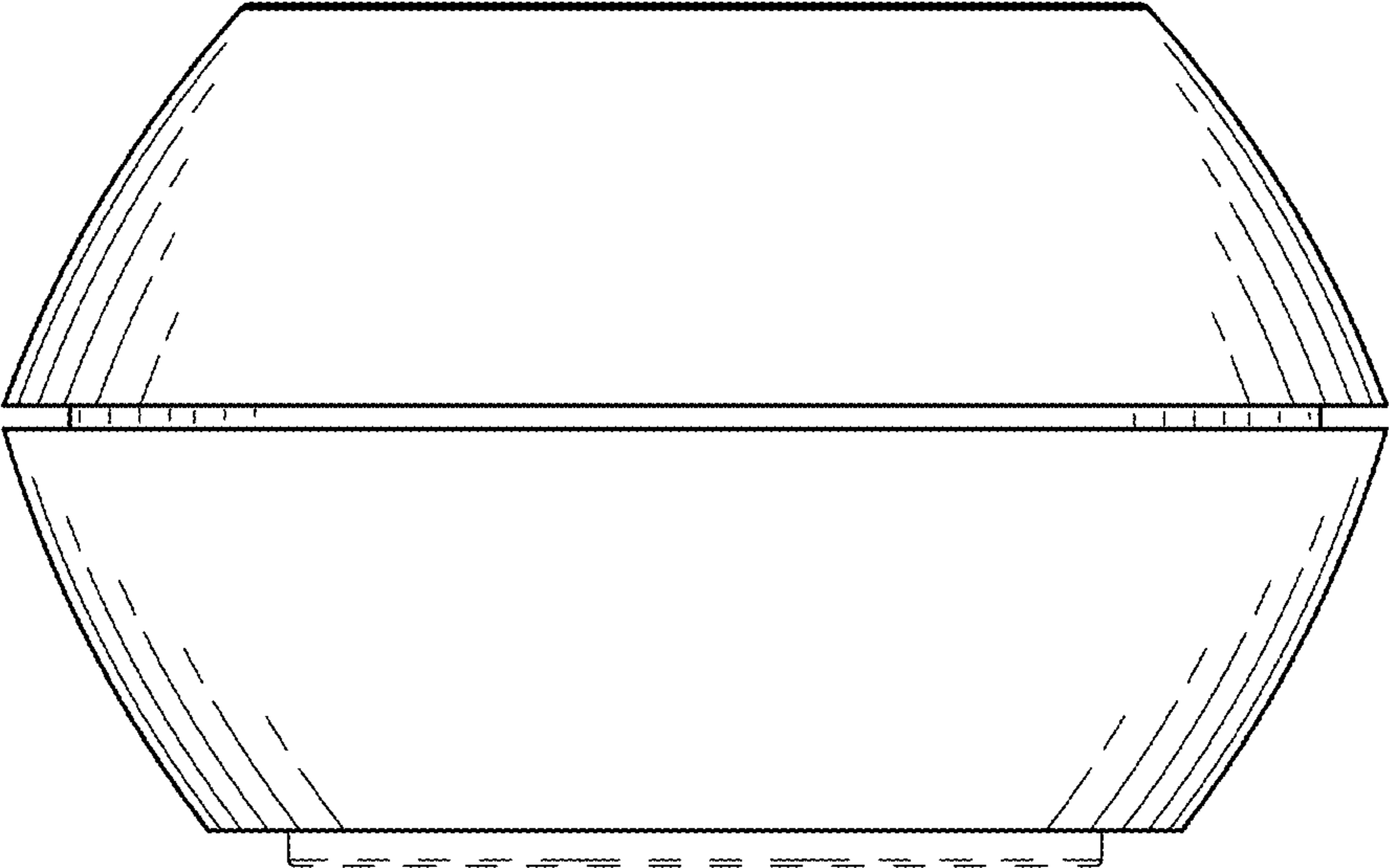


FIG. 3

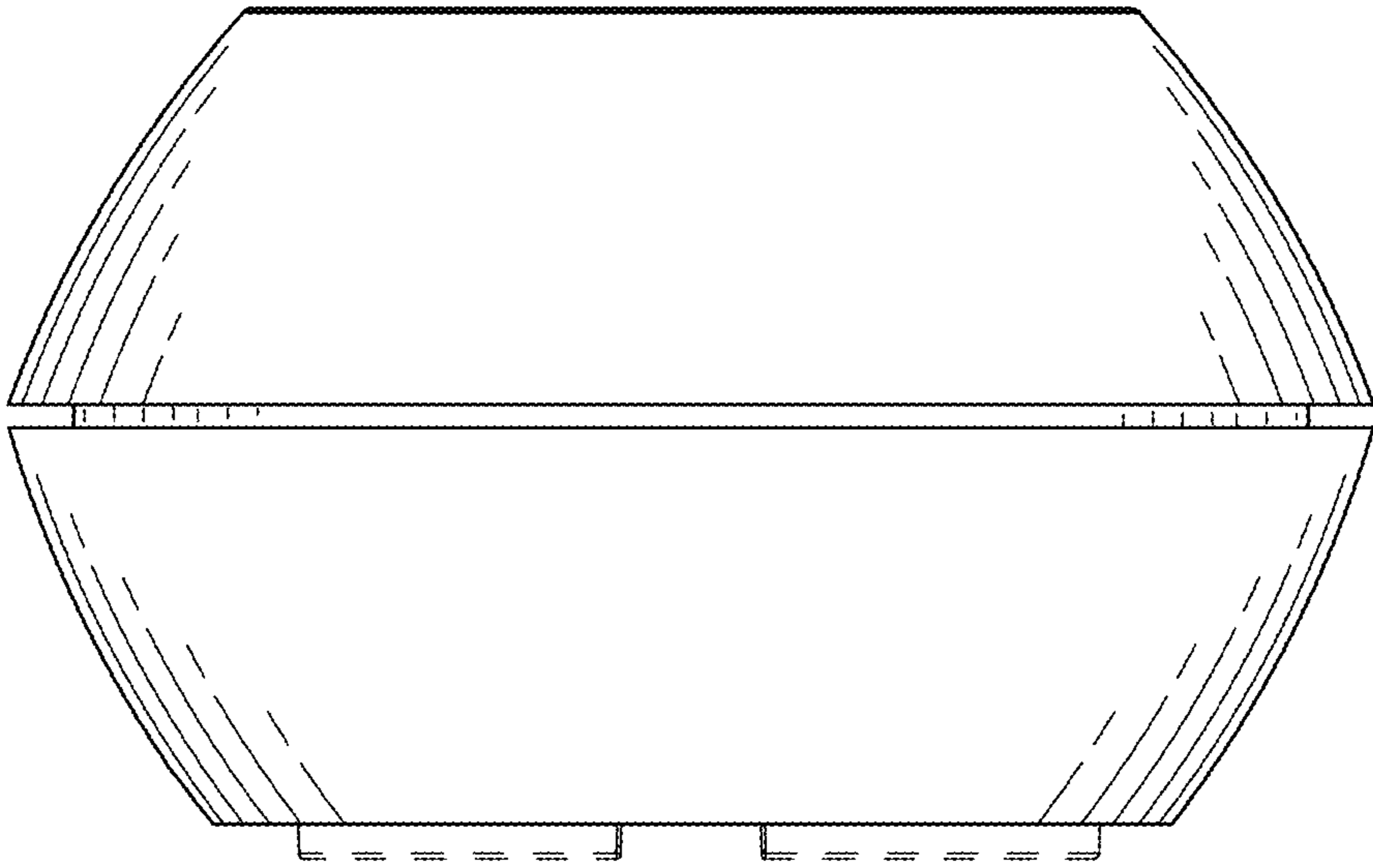


FIG. 4

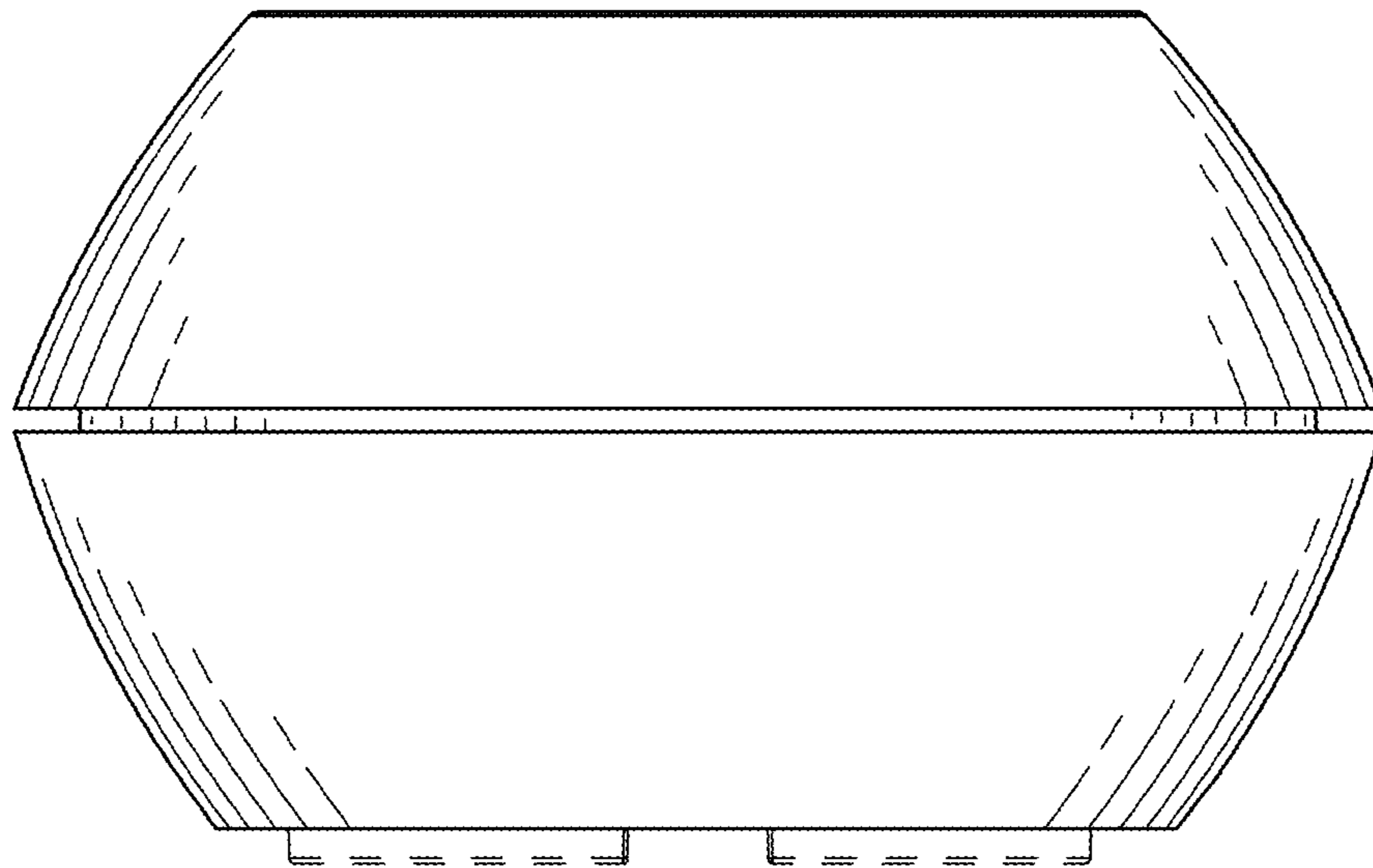


FIG. 5

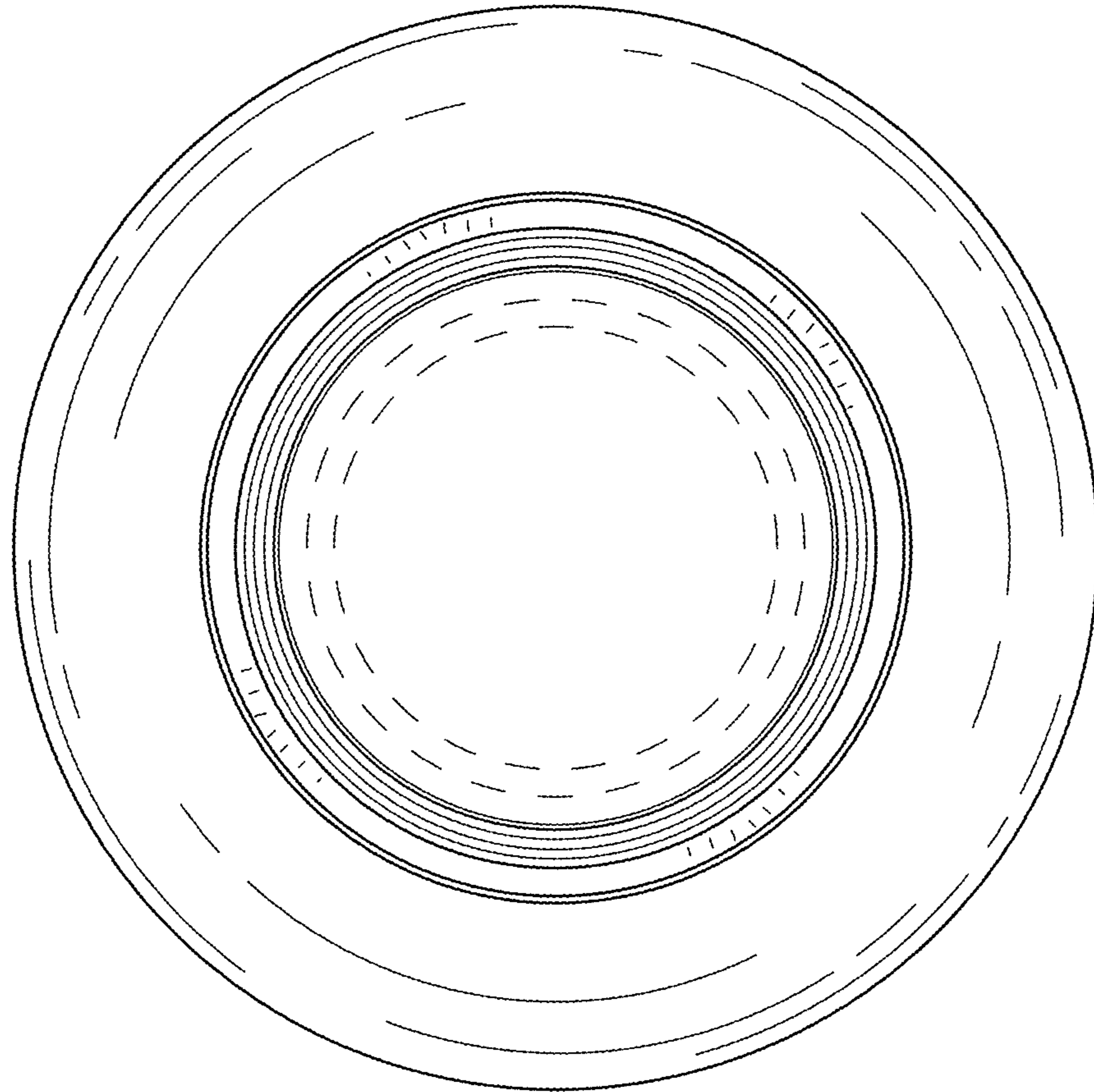


FIG. 6



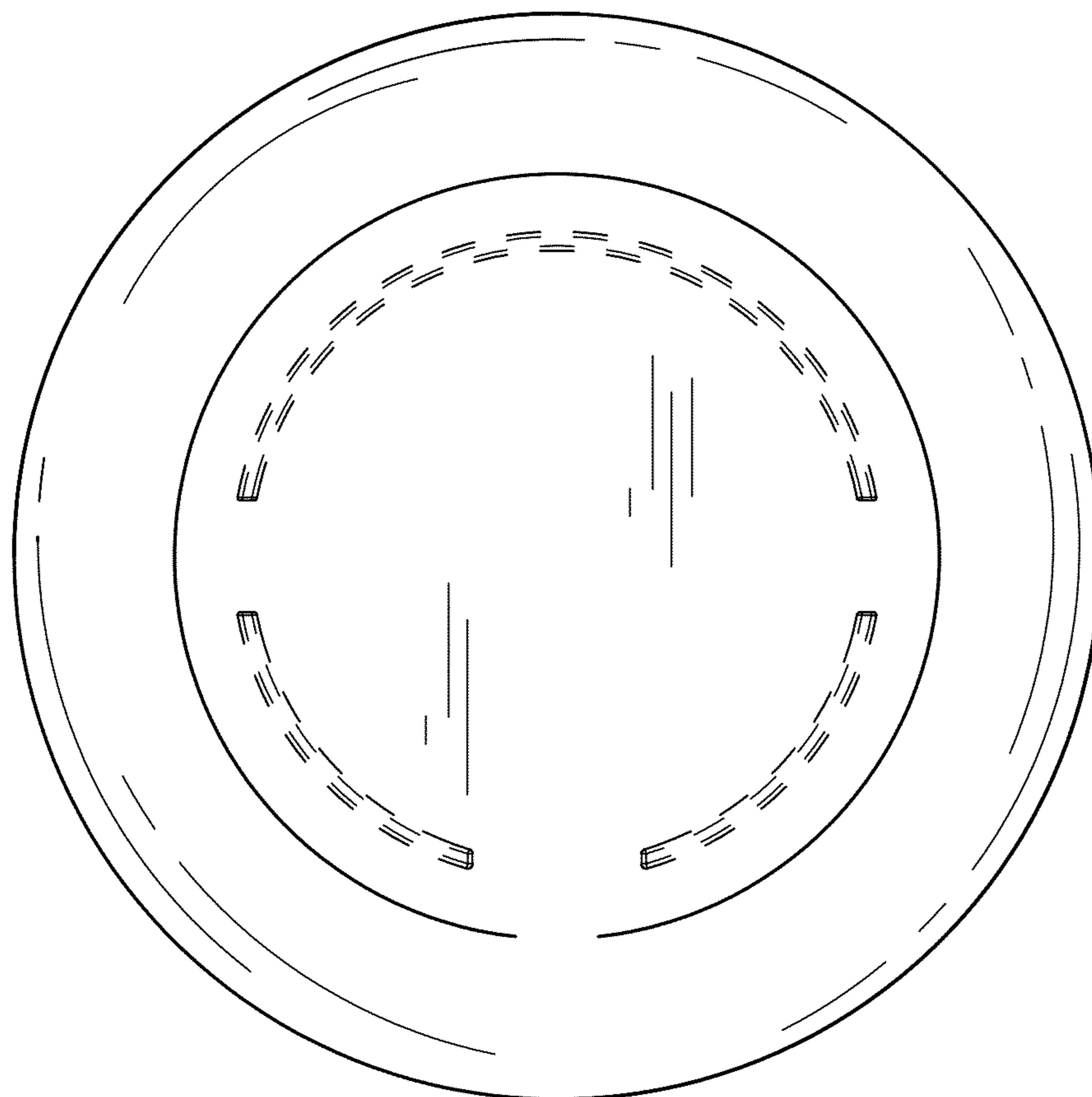


FIG. 7