



US00D692550S

(12) **United States Design Patent**
Wirz

(10) **Patent No.:** **US D692,550 S**

(45) **Date of Patent:** **** *Oct. 29, 2013**

- (54) **AROMA-DIFFUSING APPARATUS**
- (71) Applicant: **Serene House International Enterprise Ltd.**, Road Town (VG)
- (72) Inventor: **Peter Wirz**, Lucerne (CH)
- (73) Assignee: **Serene House International Enterprise Ltd.**, Road Town (VG)
- (*) Notice: This patent is subject to a terminal disclaimer.
- (**) Term: **14 Years**
- (21) Appl. No.: **29/452,383**
- (22) Filed: **Apr. 16, 2013**
- (51) **LOC (9) Cl.** **28-03**
- (52) **U.S. Cl.**
USPC **D23/366**
- (58) **Field of Classification Search**
USPC D23/355-369; D28/5, 6; 261/DIG. 17, 261/DIG. 42, DIG. 65, DIG. 88, DIG. 89, 261/DIG. 47, DIG. 55, DIG. 70; 392/356, 392/390, 392, 394, 395; 239/34, 44, 53, 55, 239/56, 326, 60, 308
See application file for complete search history.

D315,789 S *	3/1991	Muderlak	D23/366
5,394,506 A *	2/1995	Stein et al.	392/395
D389,233 S *	1/1998	Smith et al.	D23/367
D390,939 S *	2/1998	Colandro	D23/366
D418,213 S *	12/1999	Colandro	D23/366
D418,214 S *	12/1999	Cloutier	D23/366
6,092,260 A *	7/2000	Kai	15/320
D432,638 S *	10/2000	Smith	D23/367
D442,683 S *	5/2001	Wu	D23/366
D466,996 S *	12/2002	Godoy	D24/110
D482,768 S *	11/2003	Chen	D23/366
D485,342 S *	1/2004	Collazo	D23/366
D486,213 S *	2/2004	Novak	D23/366
D532,892 S *	11/2006	Koon	D23/366
D575,383 S *	8/2008	Dalal	D23/366
D630,719 S *	1/2011	Wu	D23/366
D646,370 S *	10/2011	Kuo	D23/366

* cited by examiner

Primary Examiner — Sandra Snapp

(74) *Attorney, Agent, or Firm* — Ming Chow; Sinorica, LLC

(57) **CLAIM**

The ornamental design for an aroma-diffusing apparatus, as shown.

DESCRIPTION

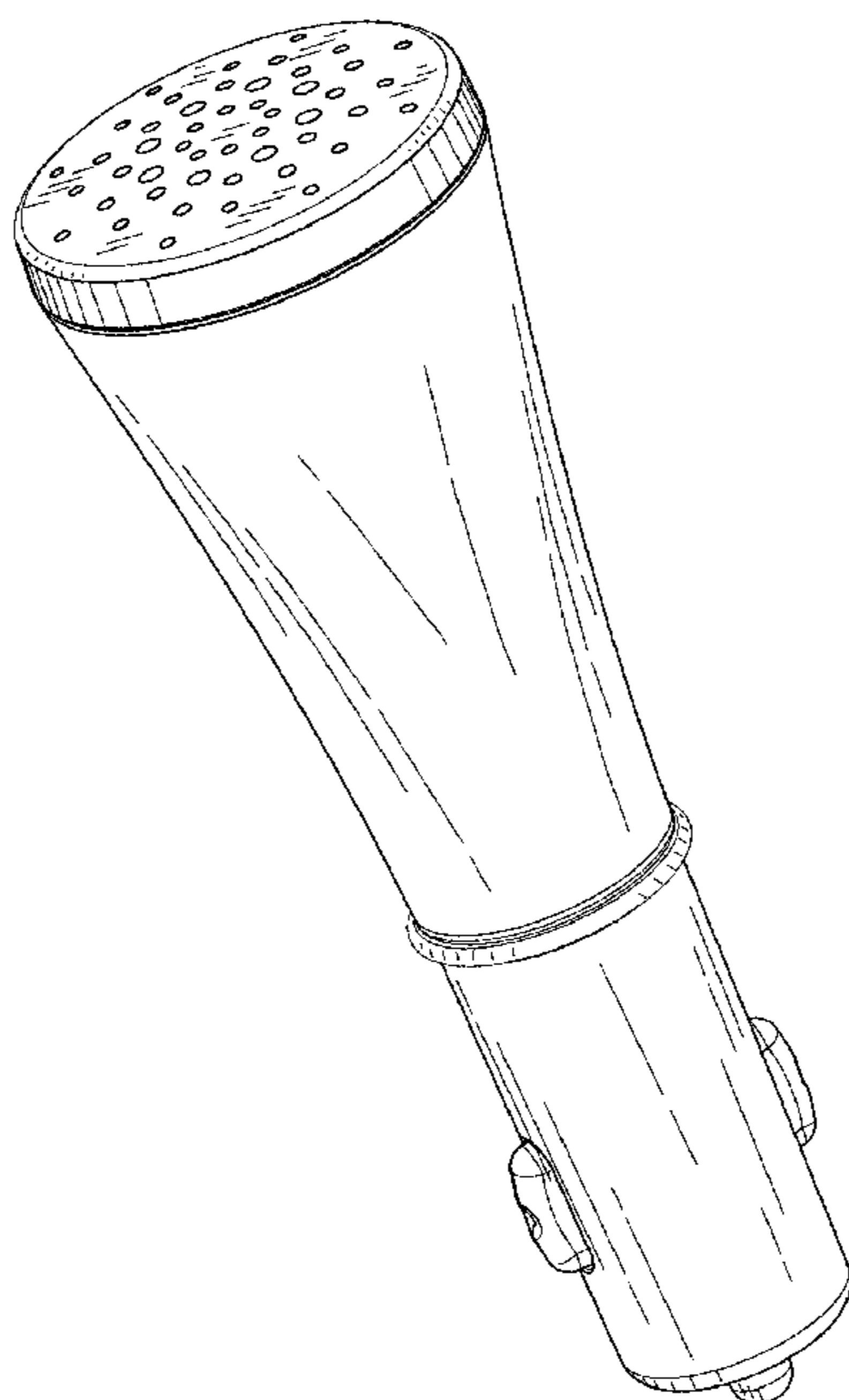
FIG. 1 is a perspective view of an aroma-diffusing apparatus showing my new design;
 FIG. 2 is a front view thereof;
 FIG. 3 is a rear view thereof;
 FIG. 4 is a left side view thereof;
 FIG. 5 is a right side view thereof;
 FIG. 6 is a top view thereof; and,
 FIG. 7 is a bottom view thereof.

1 Claim, 6 Drawing Sheets

(56) **References Cited**

U.S. PATENT DOCUMENTS

D306,644 S *	3/1990	Luthy	D23/366
4,968,456 A *	11/1990	Muderlak et al.	422/122
D314,044 S *	1/1991	Montanari	D23/366



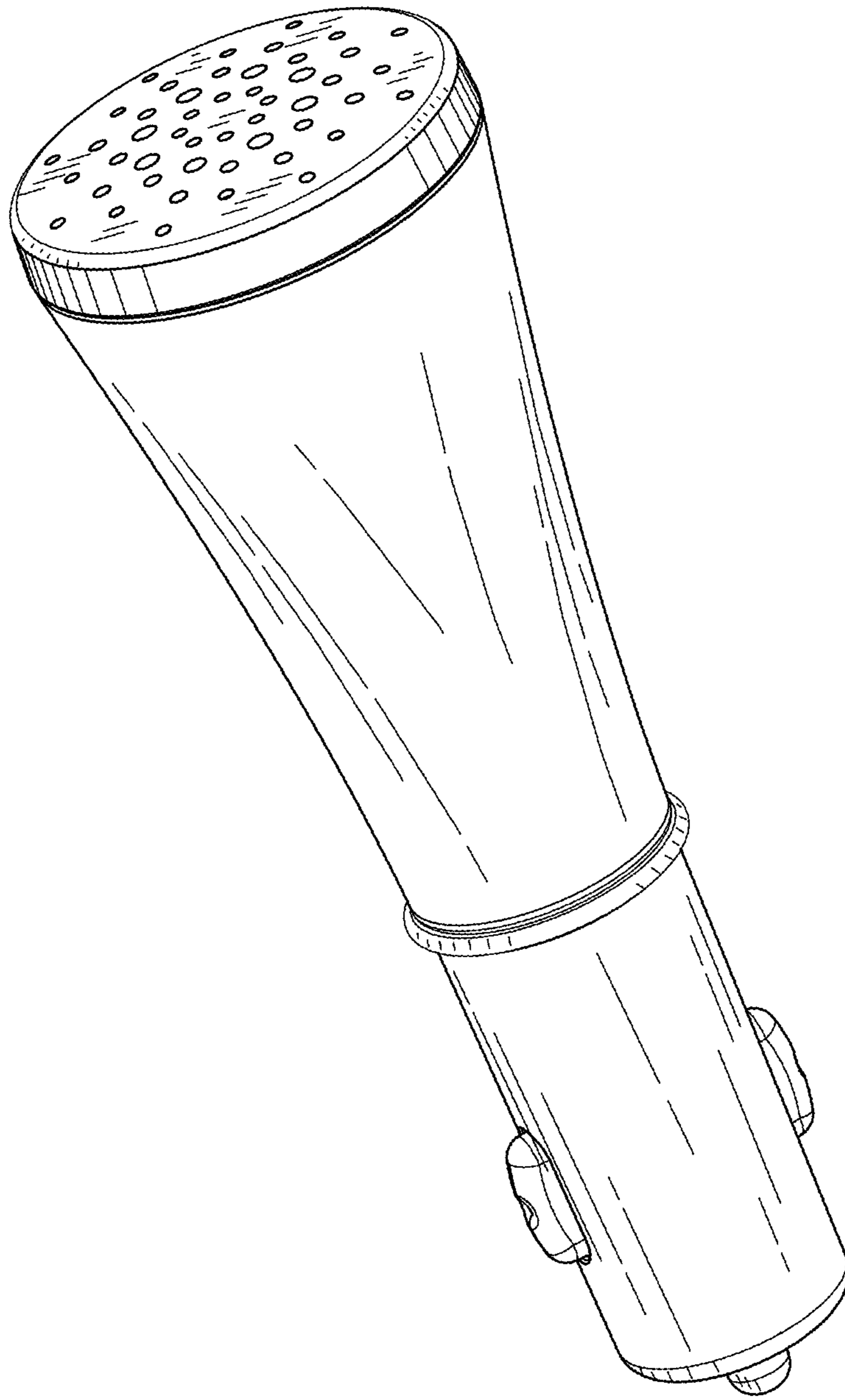


FIG. 1

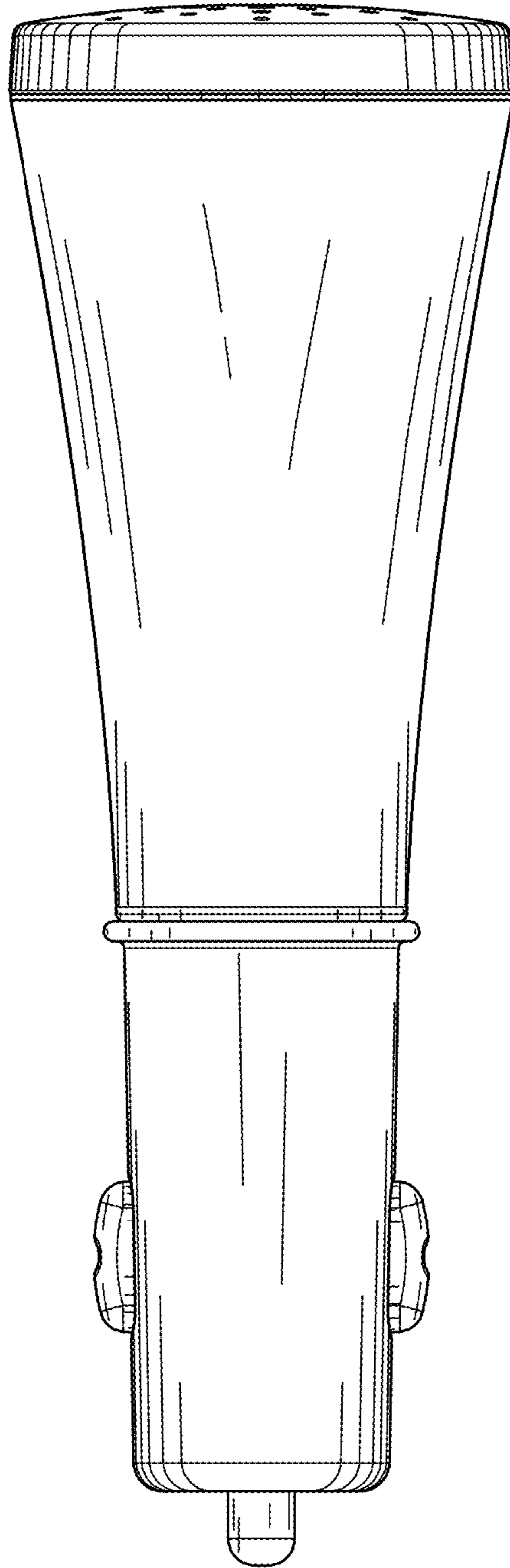


FIG. 2

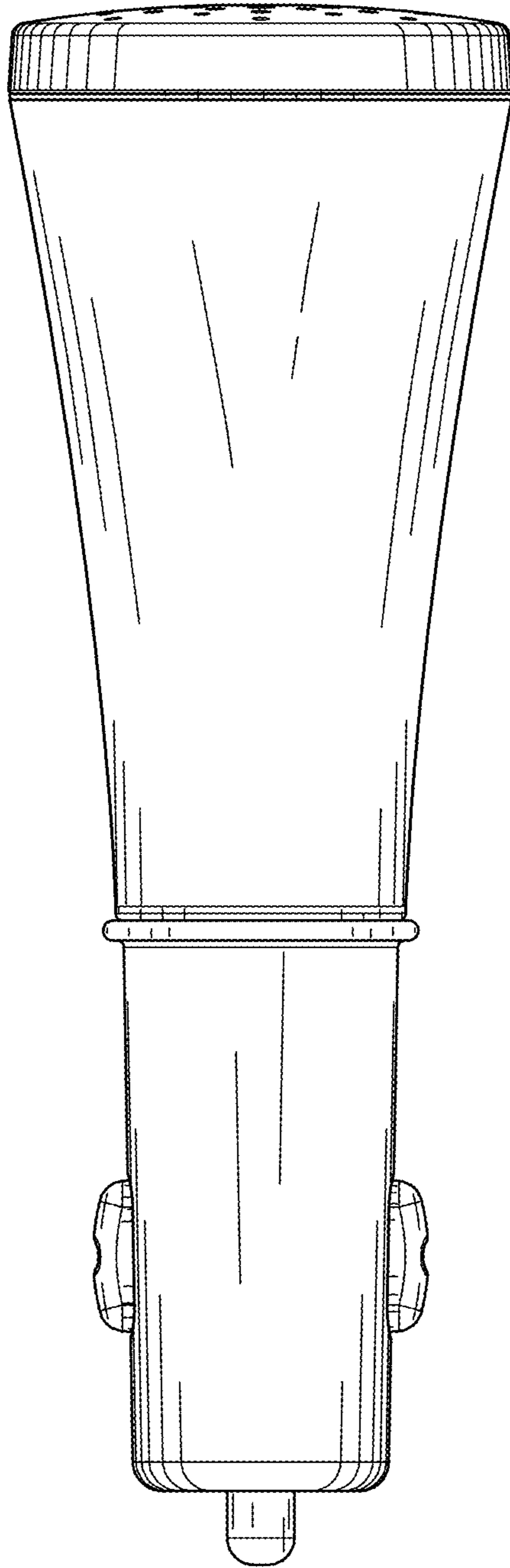


FIG. 3

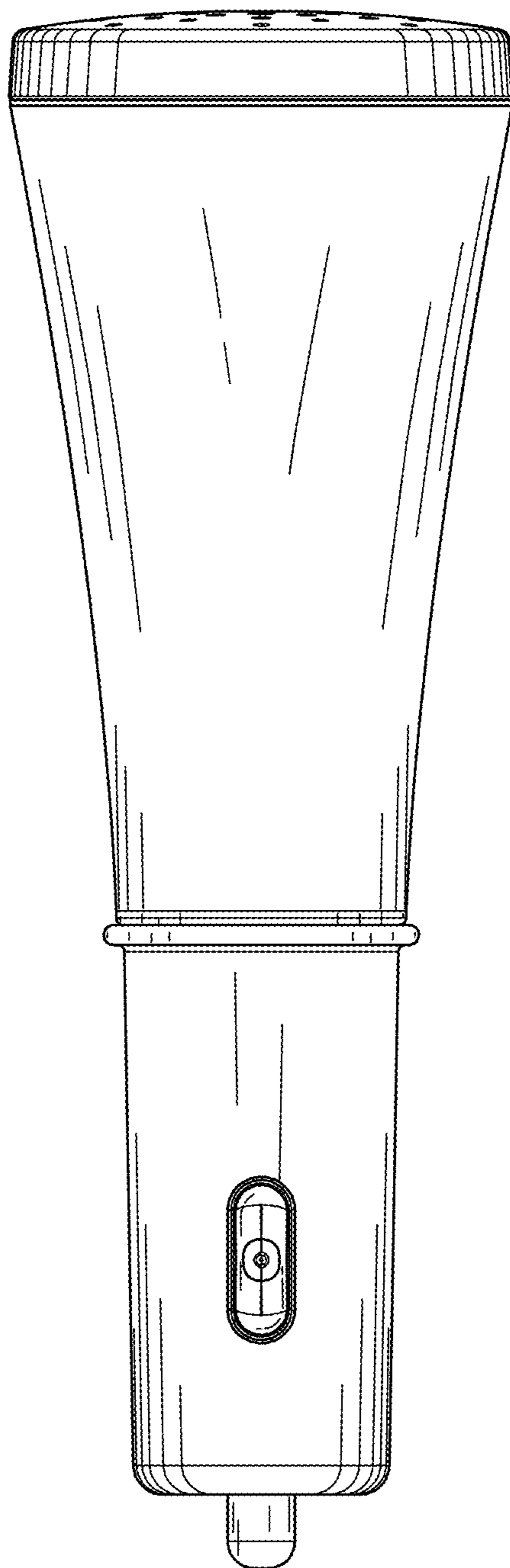


FIG. 4

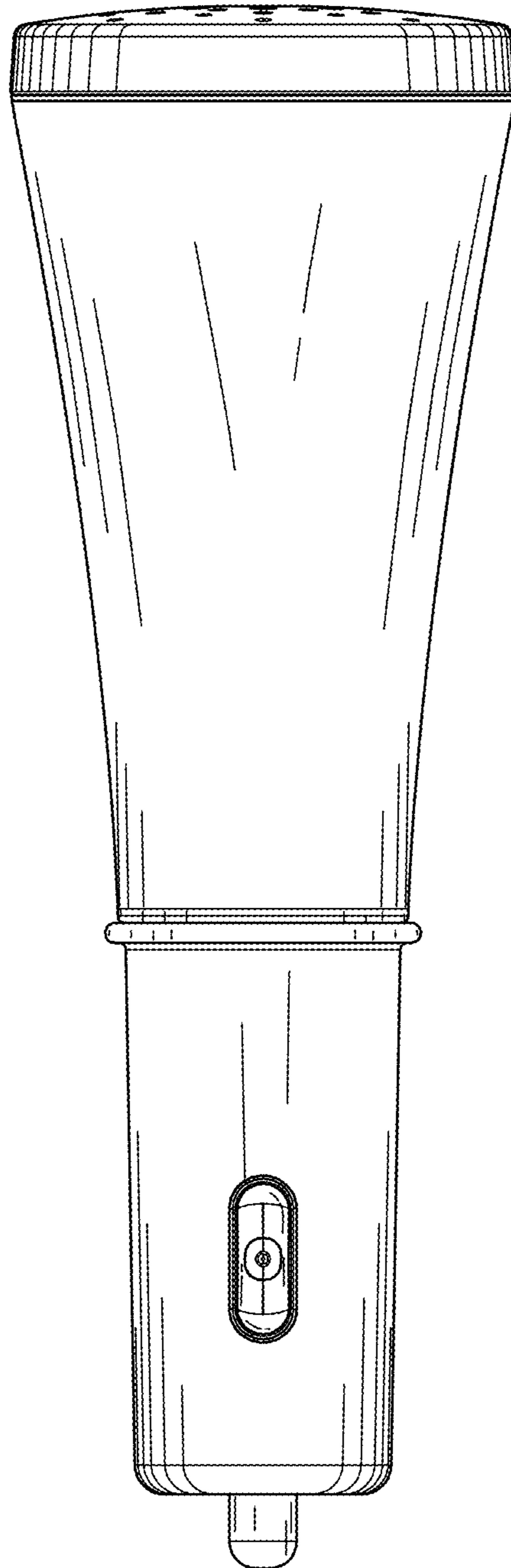


FIG. 5

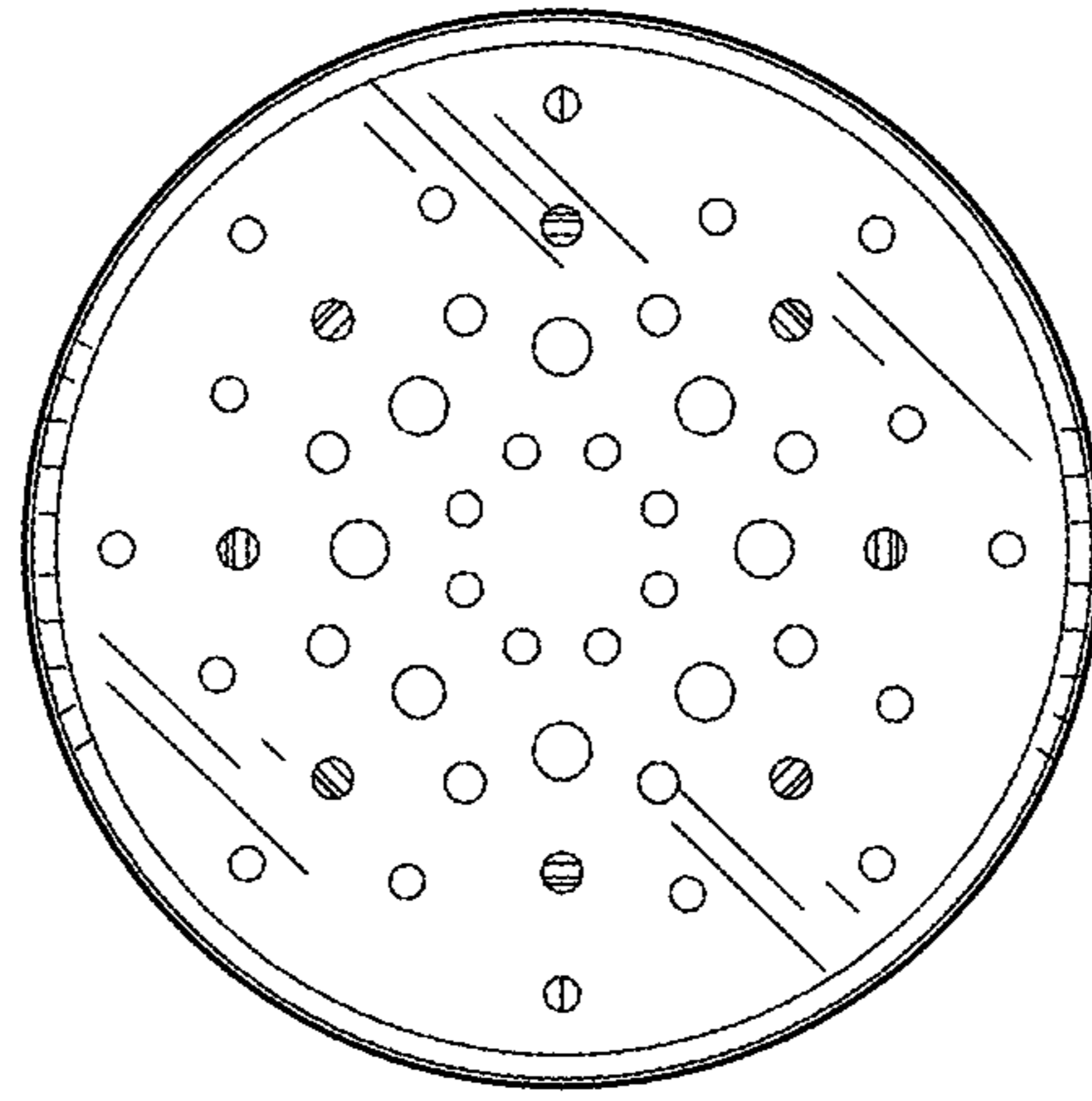


FIG. 6

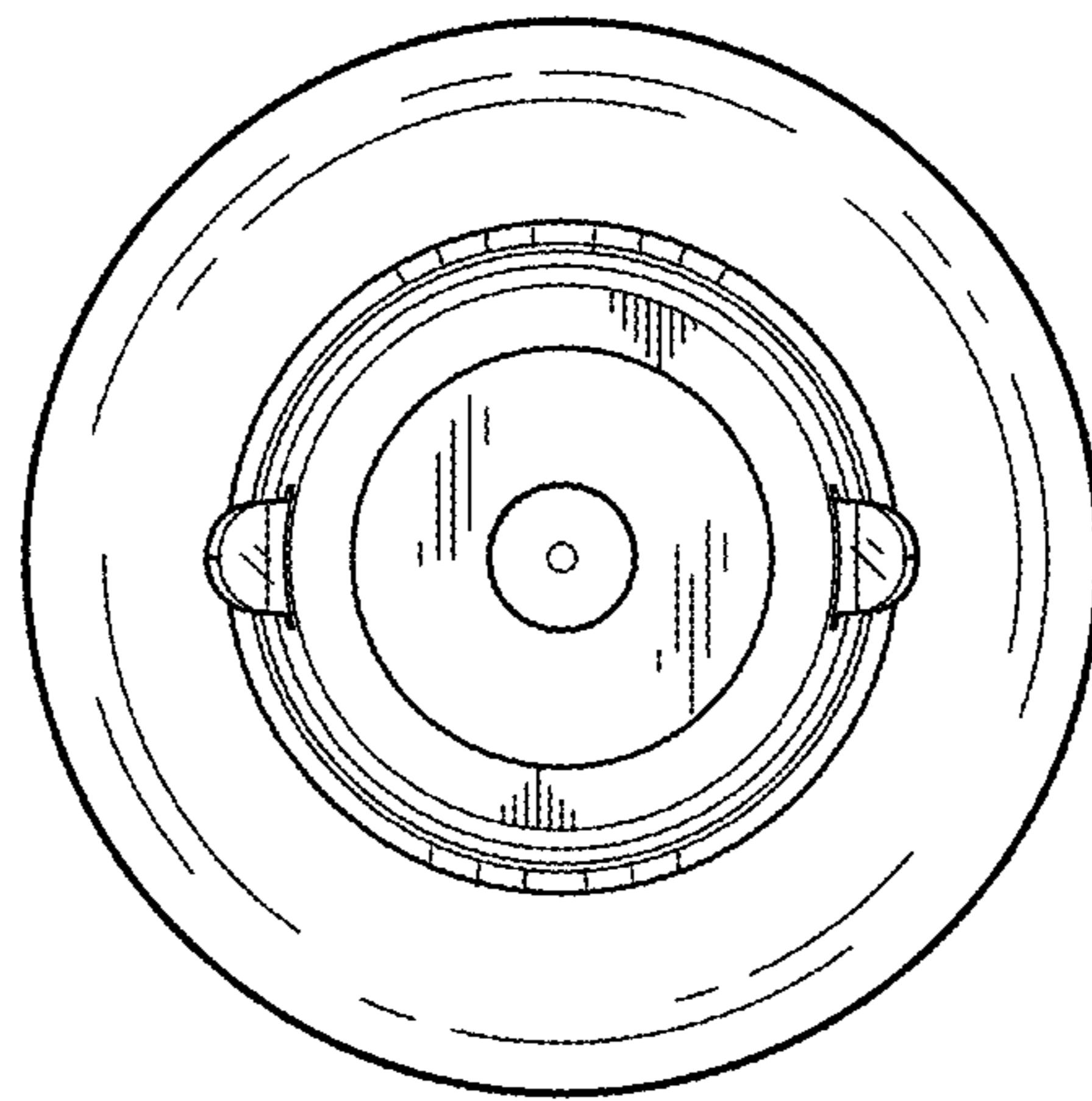


FIG. 7