



US00D692545S

(12) **United States Design Patent**
Hayakawa

(10) **Patent No.:** **US D692,545 S**

(45) **Date of Patent:** **** Oct. 29, 2013**

(54) **ATOMIZER**

(75) Inventor: **Kazuhisa Hayakawa**, Niigata (JP)

(73) Assignee: **Shin-Etsu Chemical Co., Ltd.**, Tokyo (JP)

(**) Term: **14 Years**

(21) Appl. No.: **29/405,246**

(22) Filed: **Oct. 31, 2011**

(51) **LOC (9) Cl.** **28-99**

(52) **U.S. Cl.**
USPC **D23/366**

(58) **Field of Classification Search**
USPC D23/355-369; D28/5, 6; 261/DIG. 17,
261/DIG. 42, DIG. 47, DIG. 55, DIG. 65,
261/DIG. 70, DIG. 88, DIG. 89; 392/356,
392/390, 392, 394, 395; 239/34, 44, 53, 55,
239/56, 60, 308, 326

See application file for complete search history.

(56) **References Cited**

U.S. PATENT DOCUMENTS

D103,898	S	*	3/1937	Robinson	D28/91.1
D148,899	S	*	3/1948	Yaeger	D28/91.1
D167,030	S	*	6/1952	Franck	D9/448
4,555,058	A	*	11/1985	Weinstein et al.	239/223
5,031,613	A	*	7/1991	Smith et al.	128/207.14
5,334,163	A	*	8/1994	Sinnett	604/236
5,429,600	A	*	7/1995	Heinke	604/516
5,964,223	A	*	10/1999	Baran	128/207.14

6,224,346	B1	*	5/2001	Denenburg	417/219
7,661,610	B2	*	2/2010	Yamada	239/706
D638,518	S	*	5/2011	Herre et al.	D23/213
8,210,166	B2	*	7/2012	Denton et al.	128/200.14
2005/0131357	A1	*	6/2005	Denton et al.	604/275
2011/0083665	A1	*	4/2011	Denton et al.	128/200.21

FOREIGN PATENT DOCUMENTS

AU 99813 S 3/1988

OTHER PUBLICATIONS

Official Decision of Grant for Russian Design Patent Application No. 2011503445, dated Jan. 19, 2012; 4 pages.

* cited by examiner

Primary Examiner — Sandra Snapp

(74) *Attorney, Agent, or Firm* — Alston & Bird LLP

(57) **CLAIM**

I claim the ornamental design for an atomizer, as shown and described.

DESCRIPTION

FIG. 1 is a front view of the atomizer showing our new design; FIG. 2 is a rear view thereof; FIG. 3 is a top (plan) view thereof; FIG. 4 is a bottom view thereof; FIG. 5 is a right side view thereof; FIG. 6 is a left side view thereof; and, FIG. 7 is a section view taken along the line A-A in FIG. 5, from which the internal mechanism is omitted.

1 Claim, 4 Drawing Sheets

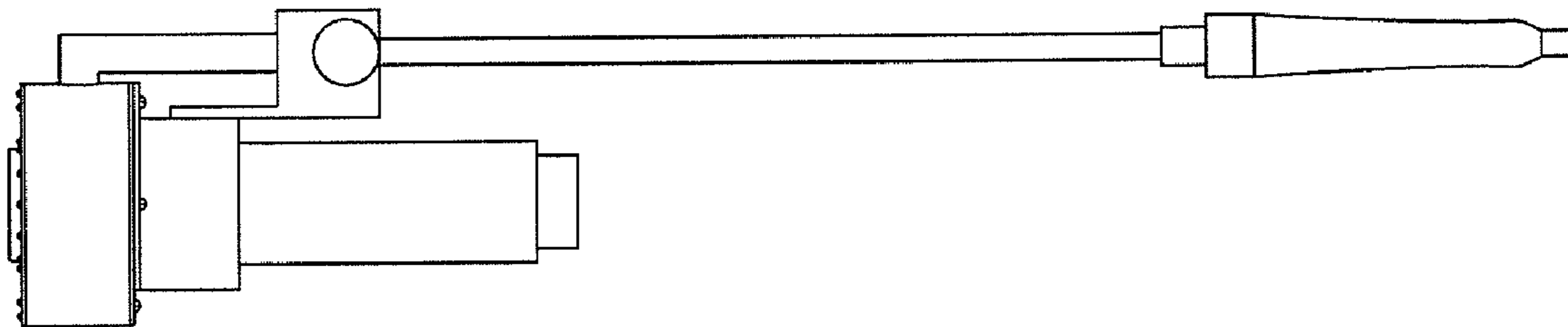


FIG.1

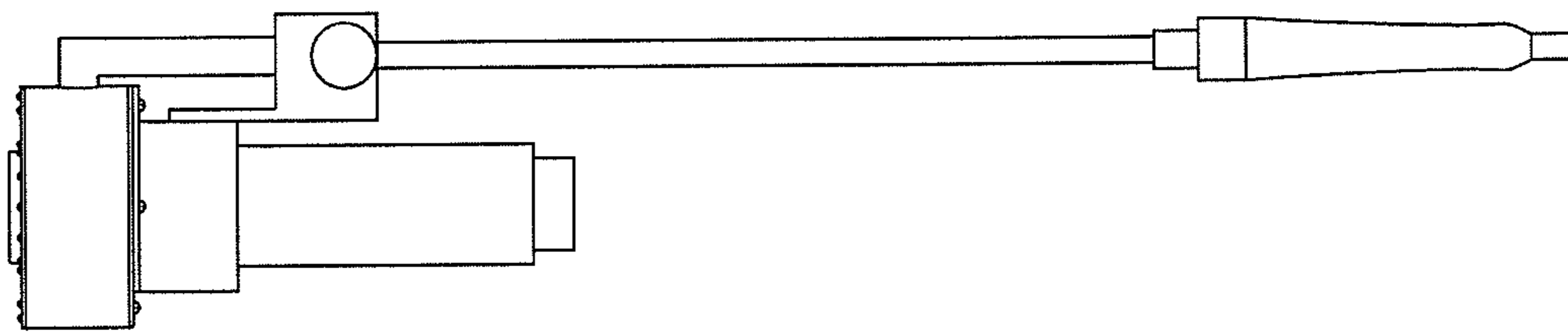


FIG.2

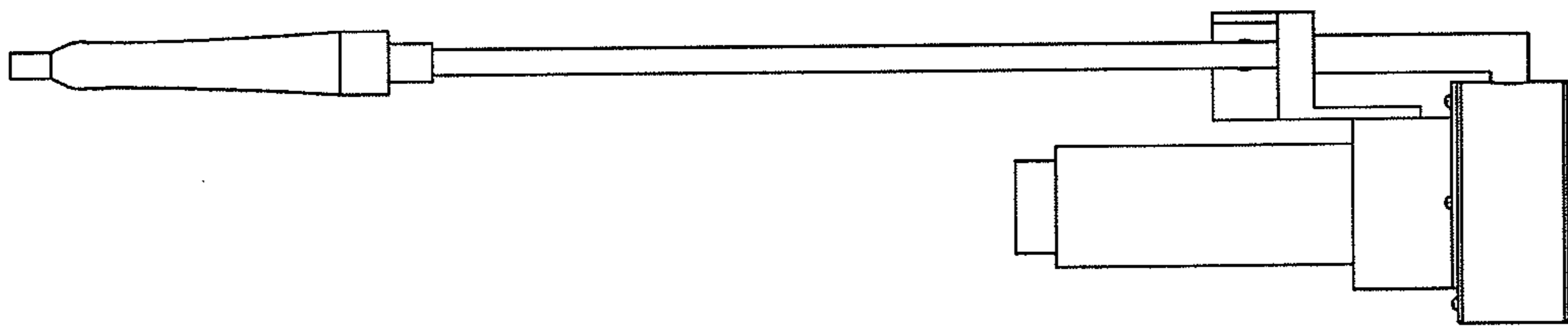


FIG.3

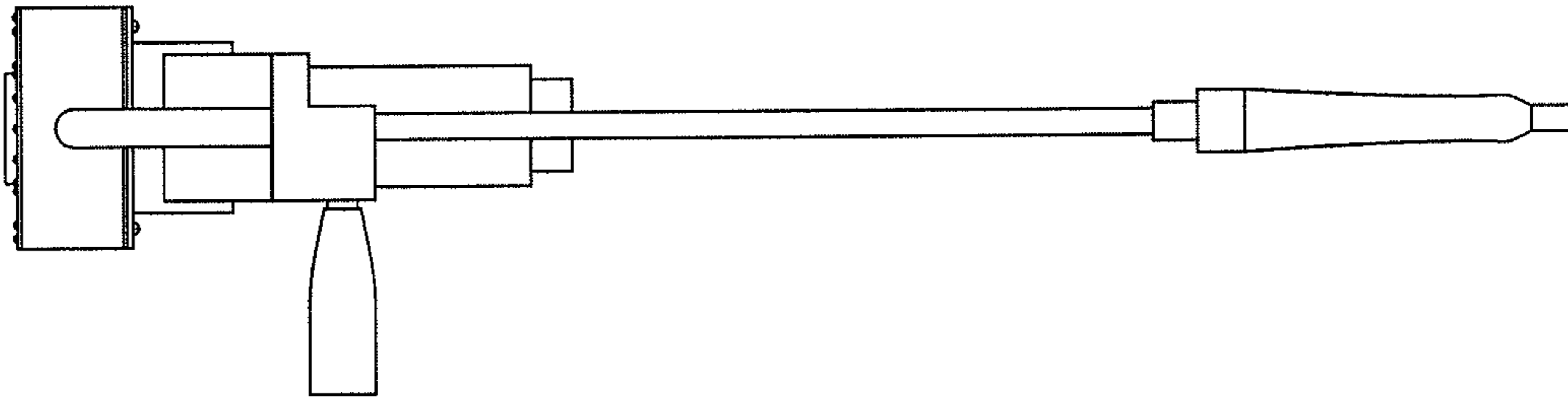


FIG.4

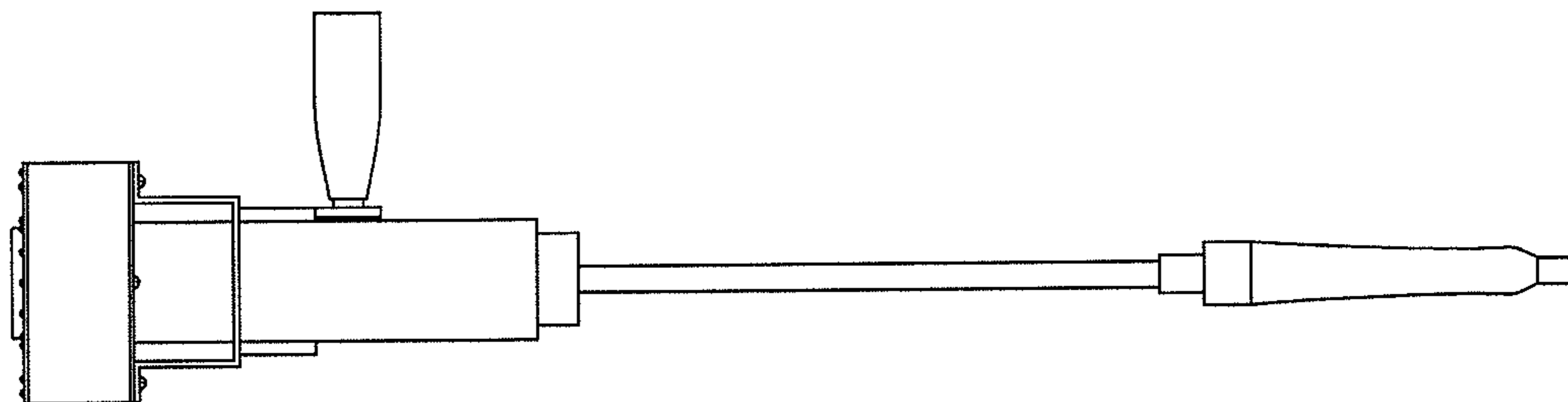


FIG.5

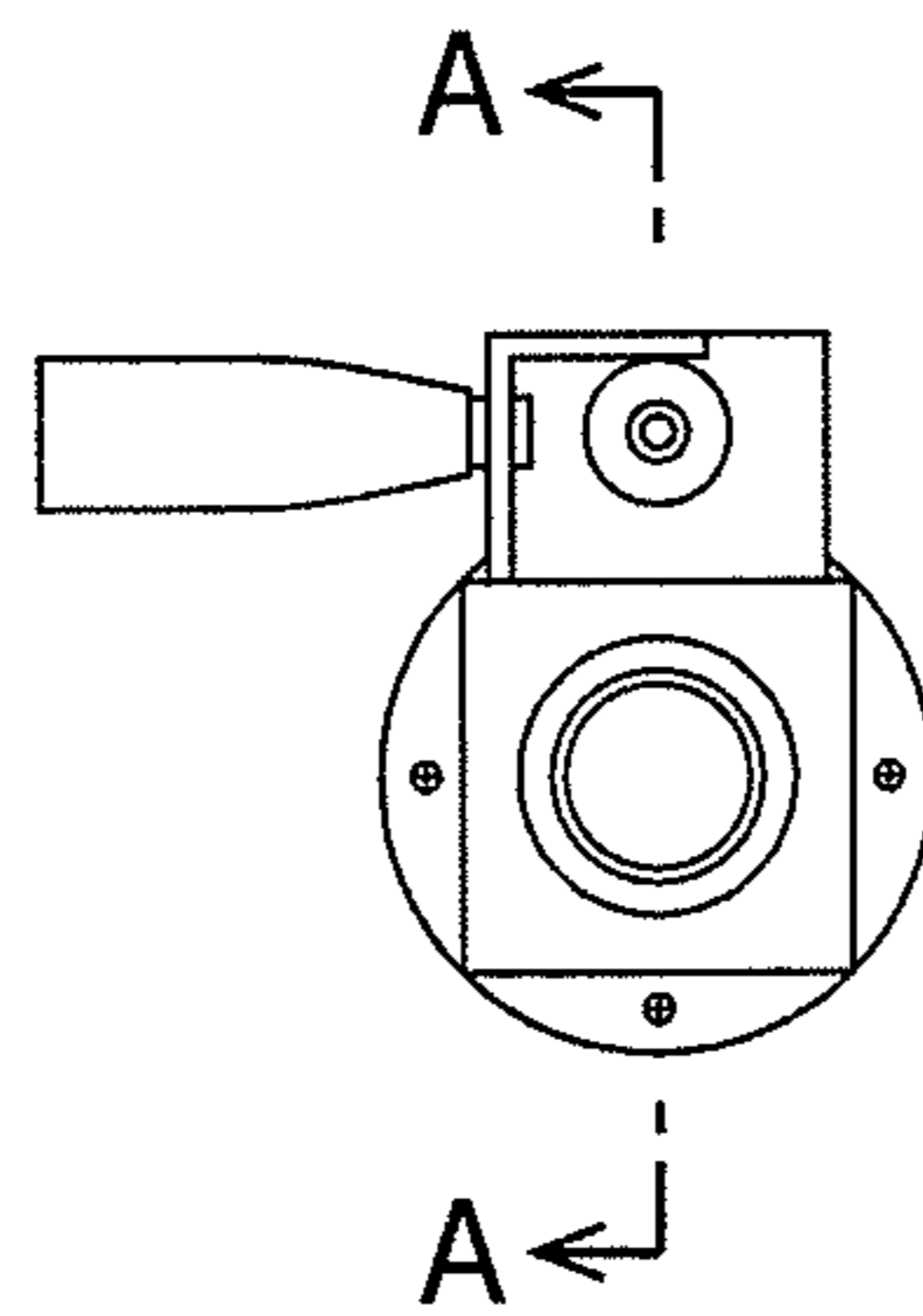


FIG.6

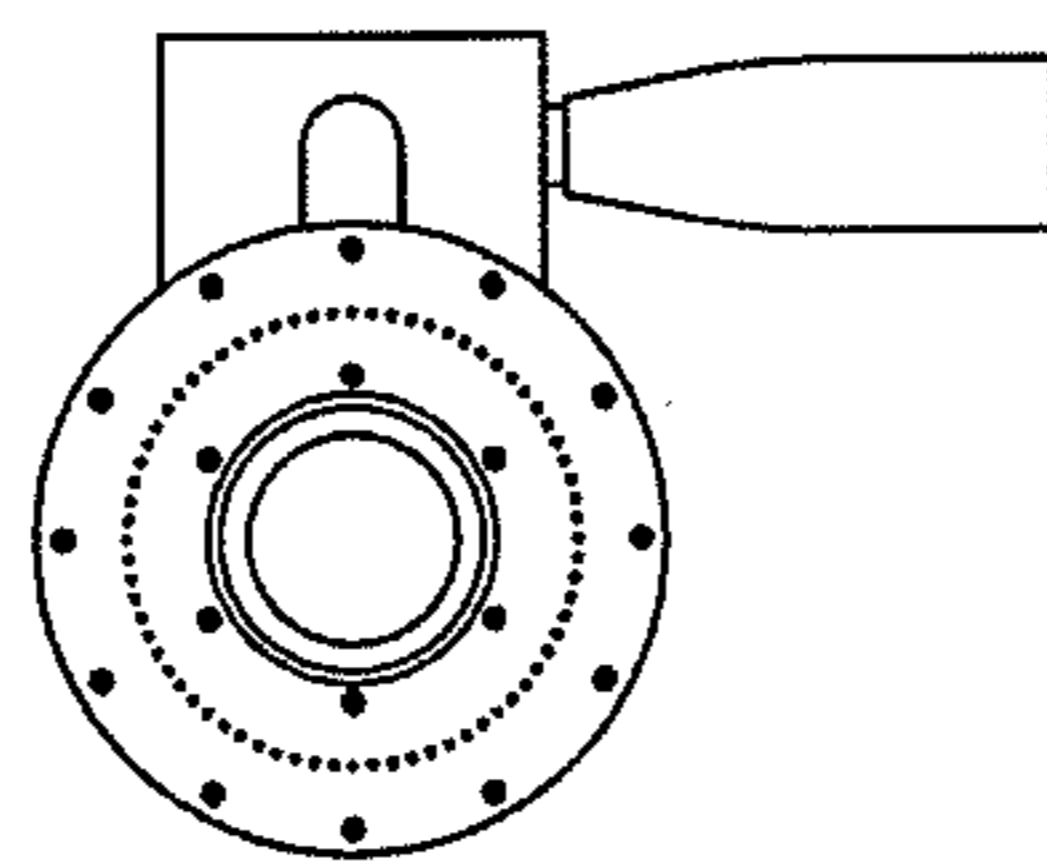
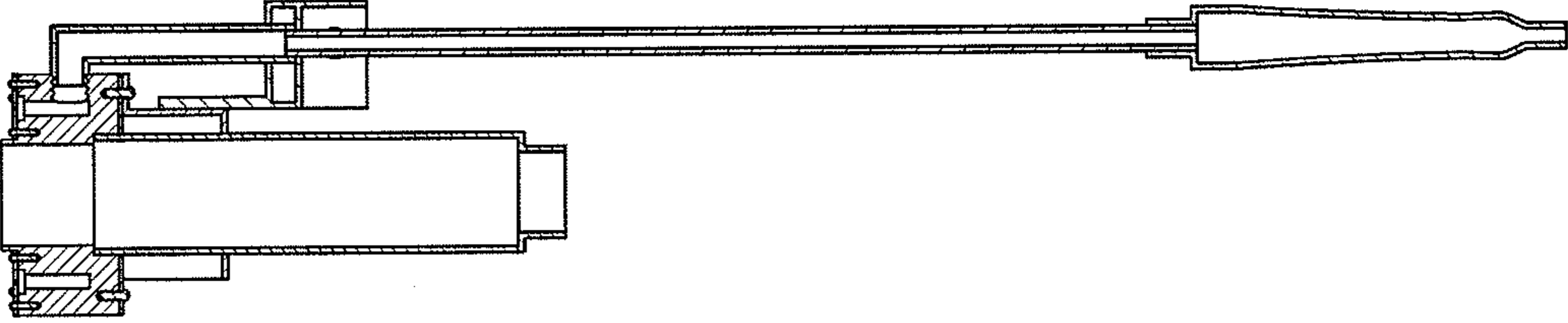


FIG.7



UNITED STATES PATENT AND TRADEMARK OFFICE
CERTIFICATE OF CORRECTION

PATENT NO. : D692,545 S
APPLICATION NO. : 29/405246
DATED : October 29, 2013
INVENTOR(S) : Hayakawa

Page 1 of 1

It is certified that error appears in the above-identified patent and that said Letters Patent is hereby corrected as shown below:

Title Page.

Insert the following:

--(30) **Foreign Application Priority Data**

May 10, 2011 (JP)2011-010400--.

Signed and Sealed this
Fourth Day of March, 2014



Michelle K. Lee
Deputy Director of the United States Patent and Trademark Office