



US00D692544S

(12) **United States Design Patent**  
**Hayakawa**

(10) **Patent No.:** **US D692,544 S**

(45) **Date of Patent:** **\*\* Oct. 29, 2013**

(54) **NOZZLE FOR ATOMIZER**  
(75) Inventor: **Kazuhisa Hayakawa**, Joetsu (JP)  
(73) Assignee: **Shin-Etsu Chemical Co., Ltd.**, Tokyo (JP)  
(\*\*) Term: **14 Years**

5,964,223 A \* 10/1999 Baran ..... 128/207.14  
6,224,346 B1 \* 5/2001 Denenburg ..... 417/219  
7,131,601 B2 \* 11/2006 Nolte et al. .... 239/224  
7,661,610 B2 \* 2/2010 Yamada ..... 239/706  
D636,844 S \* 4/2011 Herre et al. .... D23/213  
D638,518 S \* 5/2011 Herre et al. .... D23/213  
8,210,166 B2 \* 7/2012 Denton et al. .... 128/200.14  
2005/0131357 A1 \* 6/2005 Denton et al. .... 604/275  
2011/0083665 A1 \* 4/2011 Denton et al. .... 128/200.21

(21) Appl. No.: **29/405,242**

(22) Filed: **Oct. 31, 2011**

**FOREIGN PATENT DOCUMENTS**

AU 99813 S \* 3/1988  
JP D1315134 11/2007

(30) **Foreign Application Priority Data**

May 10, 2011 (JP) ..... 2011-010399

(51) **LOC (9) Cl.** ..... **28-99**

(52) **U.S. Cl.**  
USPC ..... **D23/366**

(58) **Field of Classification Search**  
USPC ..... D23/355-369; D28/5, 6; 261/DIG. 17,  
261/DIG. 42, DIG. 47, DIG. 55, DIG. 65,  
261/DIG. 70, DIG. 88, DIG. 89; 392/356,  
392/390, 392, 394, 395; 239/34, 44, 53, 55,  
239/56, 60, 308, 326  
See application file for complete search history.

**OTHER PUBLICATIONS**

Results of Interview with Examiner regarding Russian Design Appli-  
cation No. 2011503446, dated Feb. 8, 2012.

\* cited by examiner

*Primary Examiner* — Sandra Snapp  
(74) *Attorney, Agent, or Firm* — Alston & Bird LLP

(57) **CLAIM**  
I claim the ornamental design for a nozzle for atomizer, as  
shown and described.

**DESCRIPTION**

FIG. 1 is a front view of the nozzle for an atomizer showing  
our new design;  
FIG. 2 is a rear view thereof;  
FIG. 3 is a top (plan) view thereof;  
FIG. 4 is a bottom view thereof;  
FIG. 5 is a right side view thereof;  
FIG. 6 is a left side view thereof; and,  
FIG. 7 is a section view taken along the line A-A in FIG. 5,  
from which the internal mechanism is omitted.

(56) **References Cited**

**U.S. PATENT DOCUMENTS**

D103,898 S \* 3/1937 Robinson ..... D28/91.1  
D148,899 S \* 3/1948 Yaeger ..... D28/91.1  
D167,030 S \* 6/1952 Franck ..... D9/448  
D278,370 S \* 4/1985 Speitel ..... D28/91.1  
4,555,058 A \* 11/1985 Weinstein et al. .... 239/223  
5,031,613 A \* 7/1991 Smith et al. .... 128/207.14  
5,334,163 A \* 8/1994 Sinnett ..... 604/236  
5,429,600 A \* 7/1995 Heinke ..... 604/516

**1 Claim, 4 Drawing Sheets**

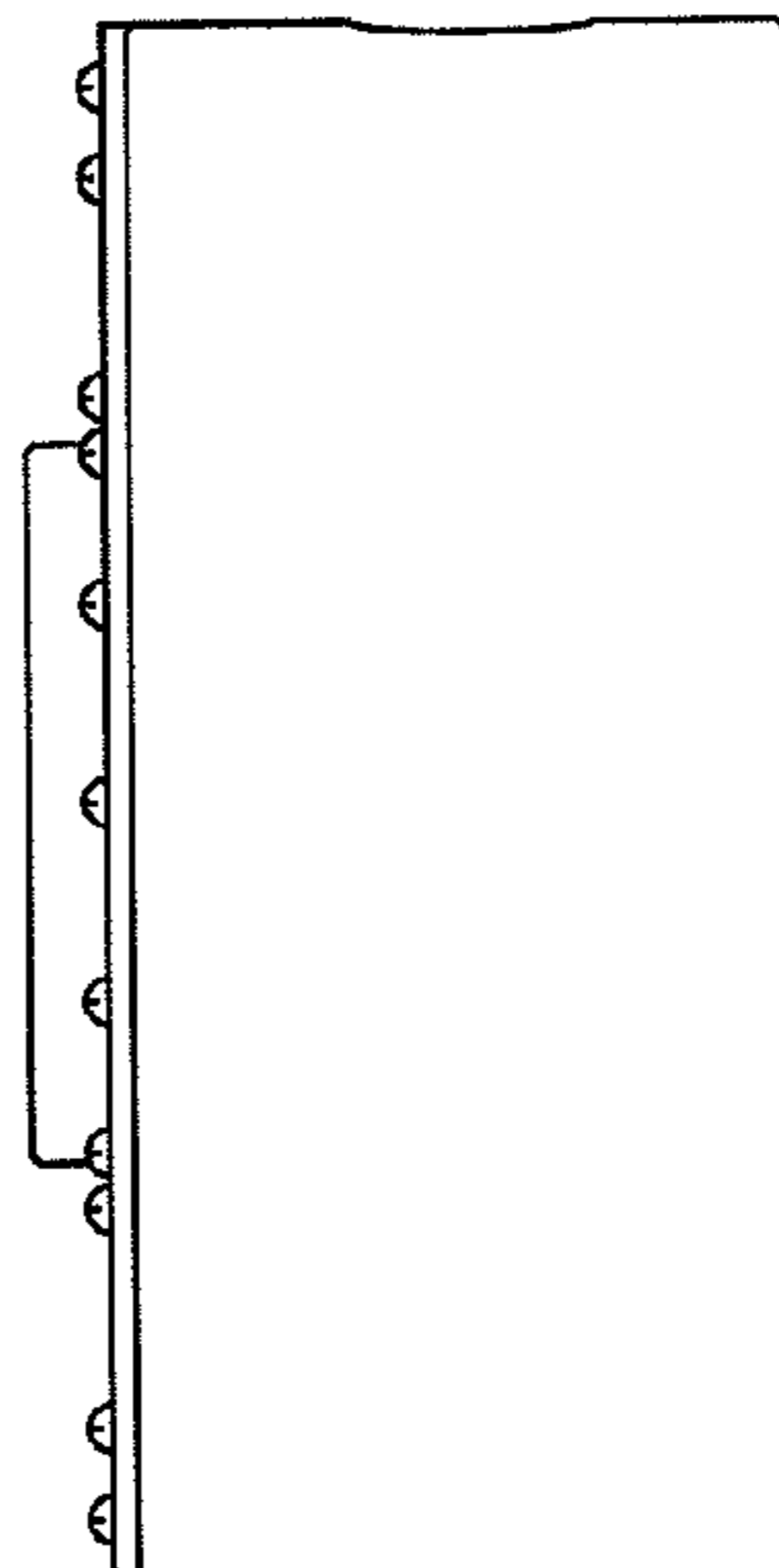


FIG.1

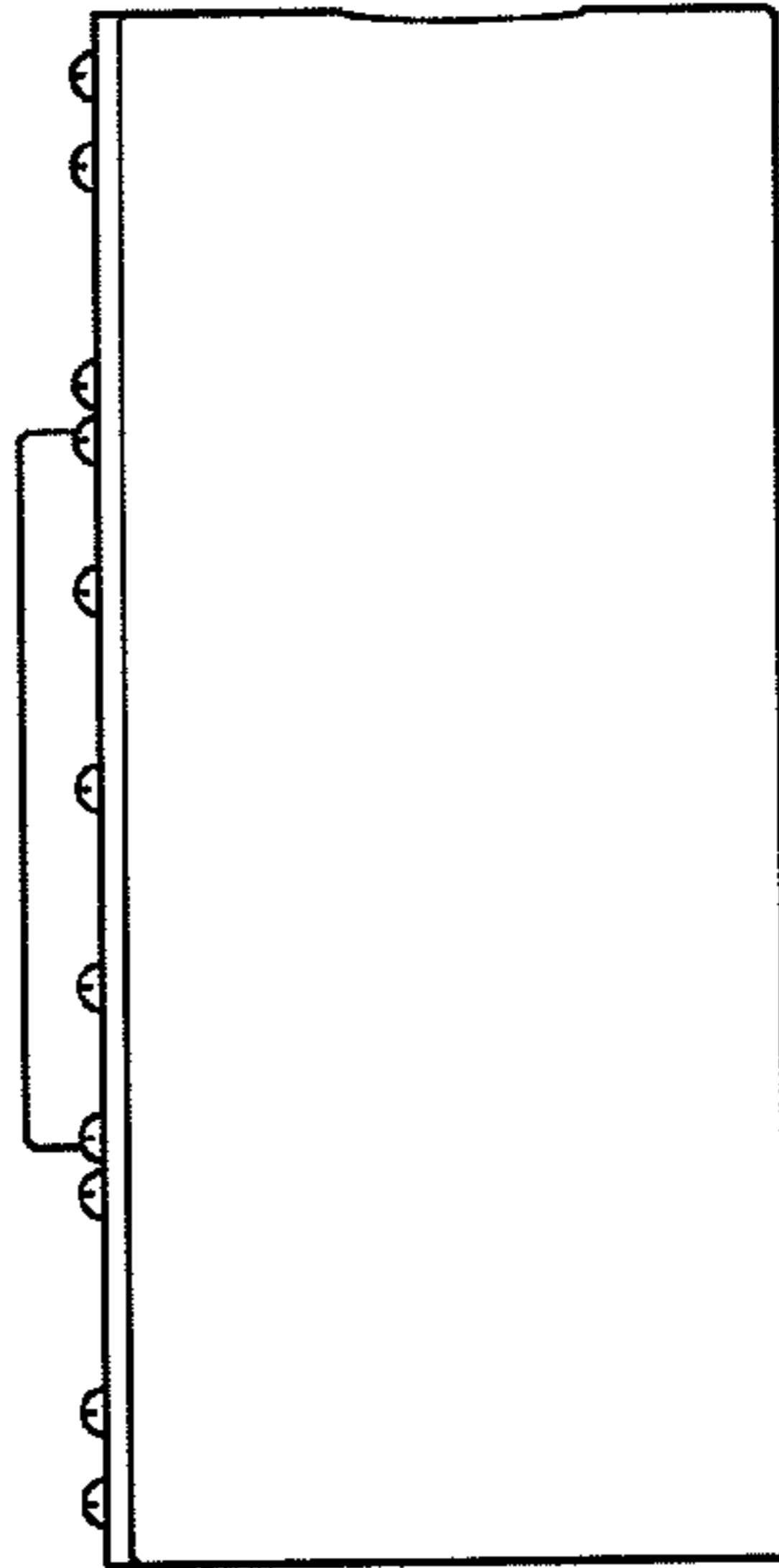


FIG.2

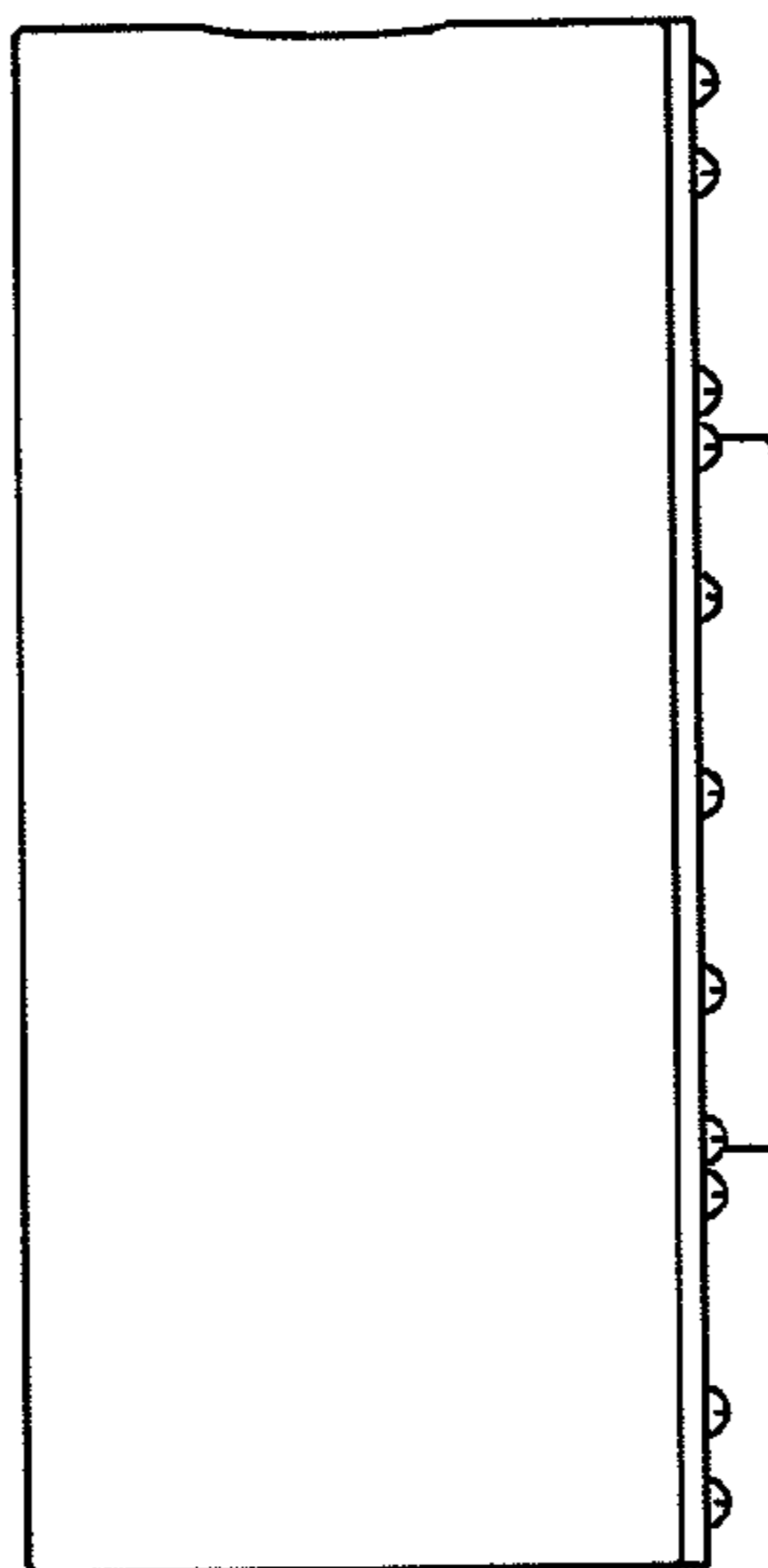


FIG.3

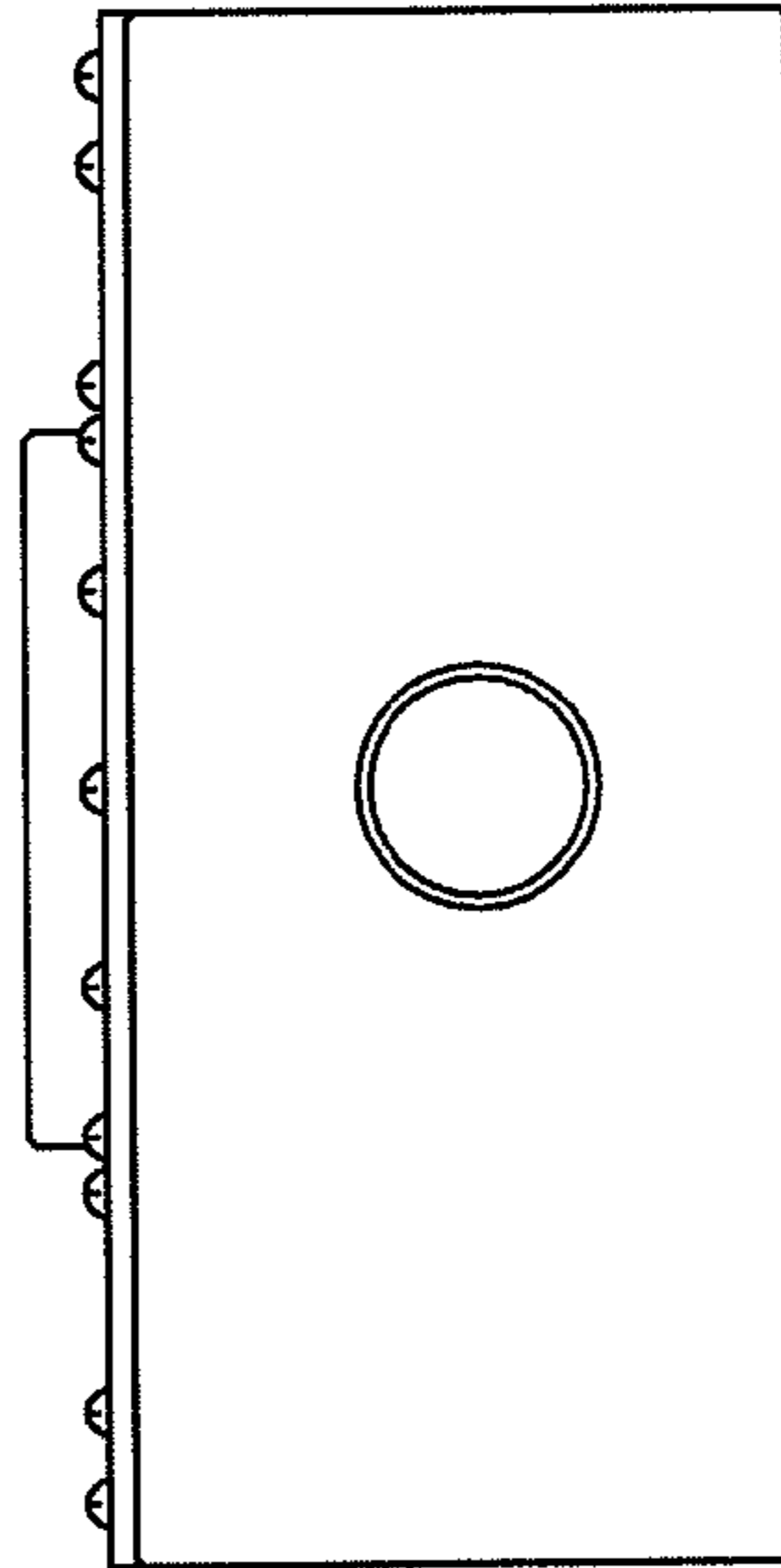


FIG.4

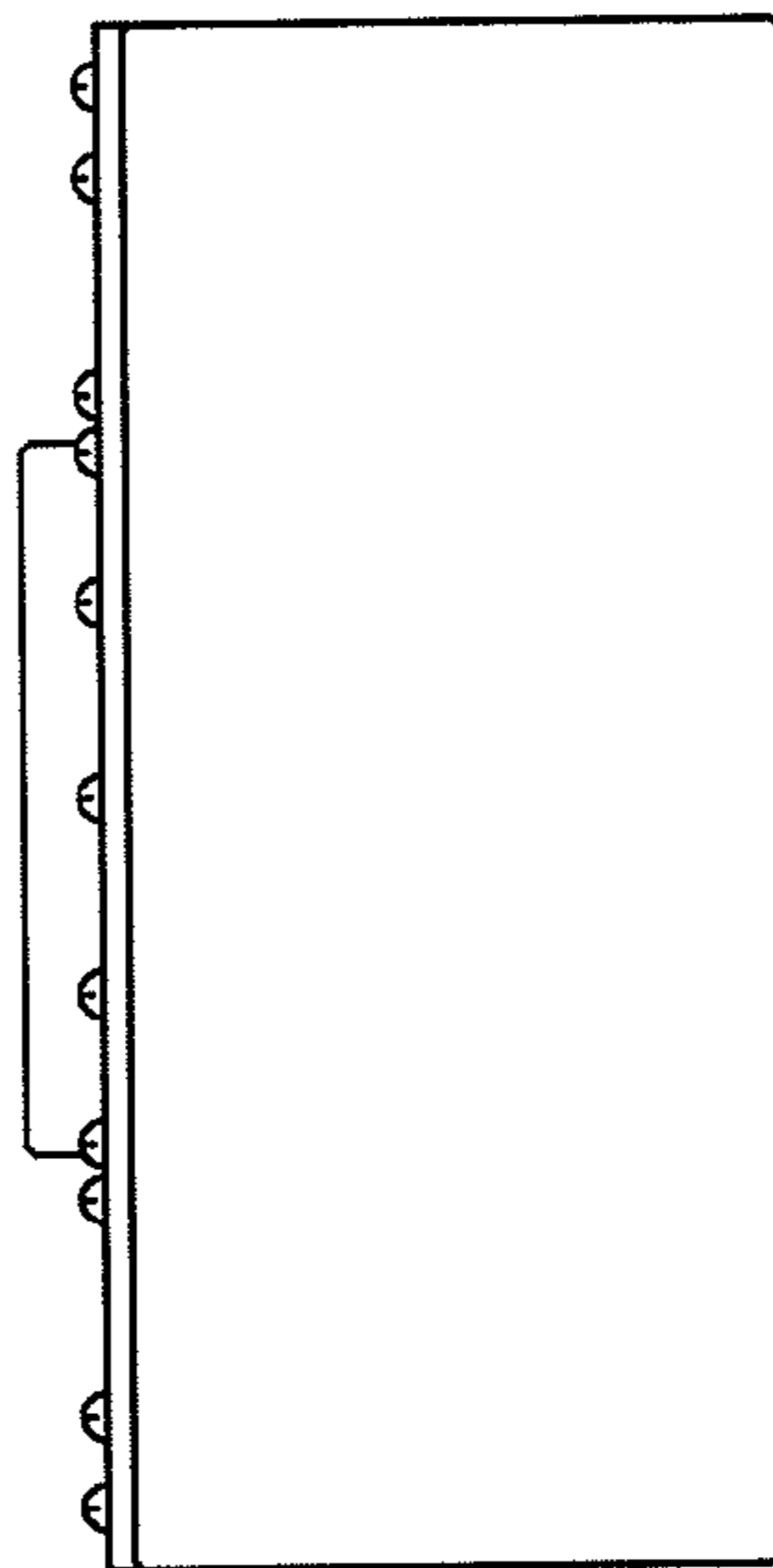


FIG.5

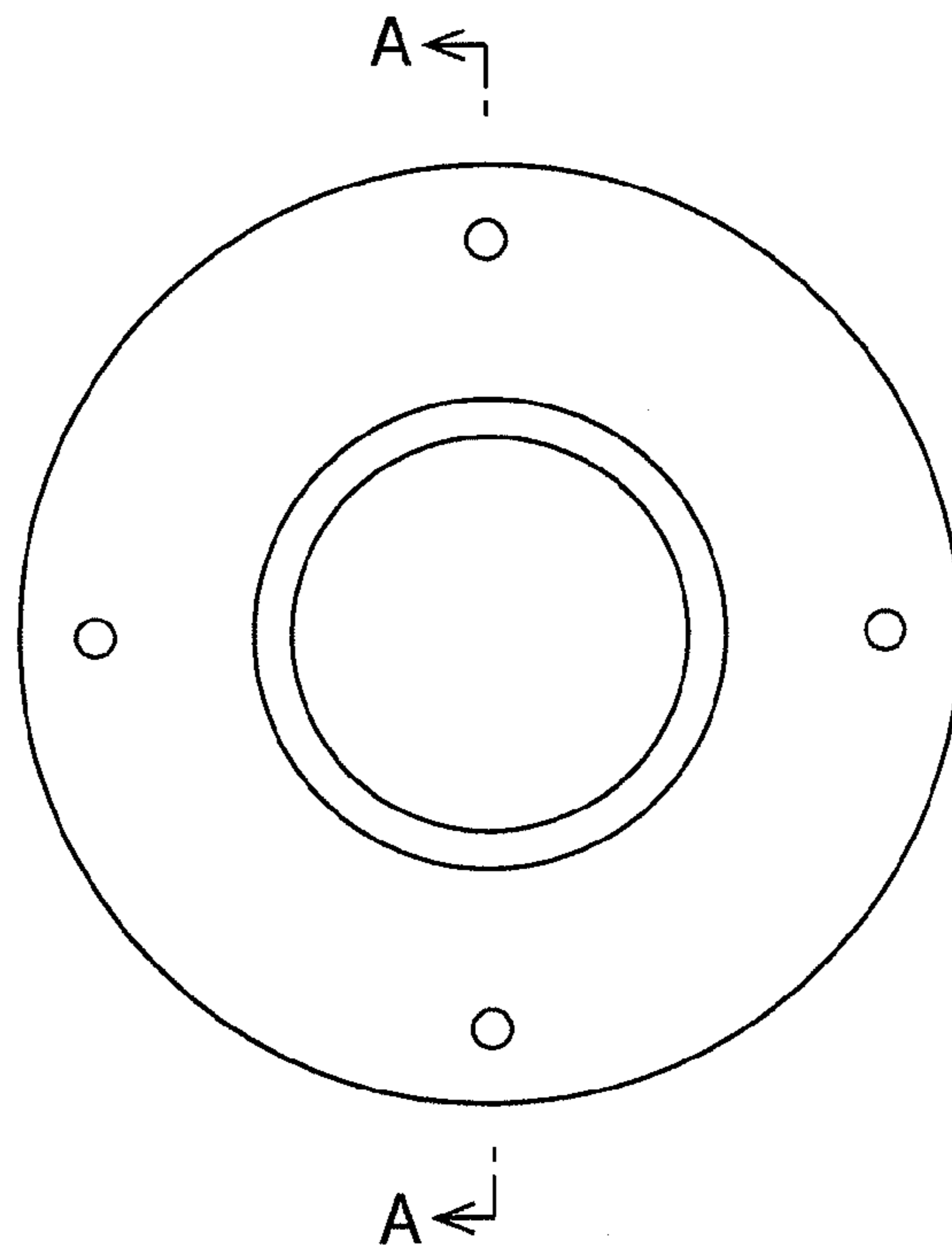


FIG.6

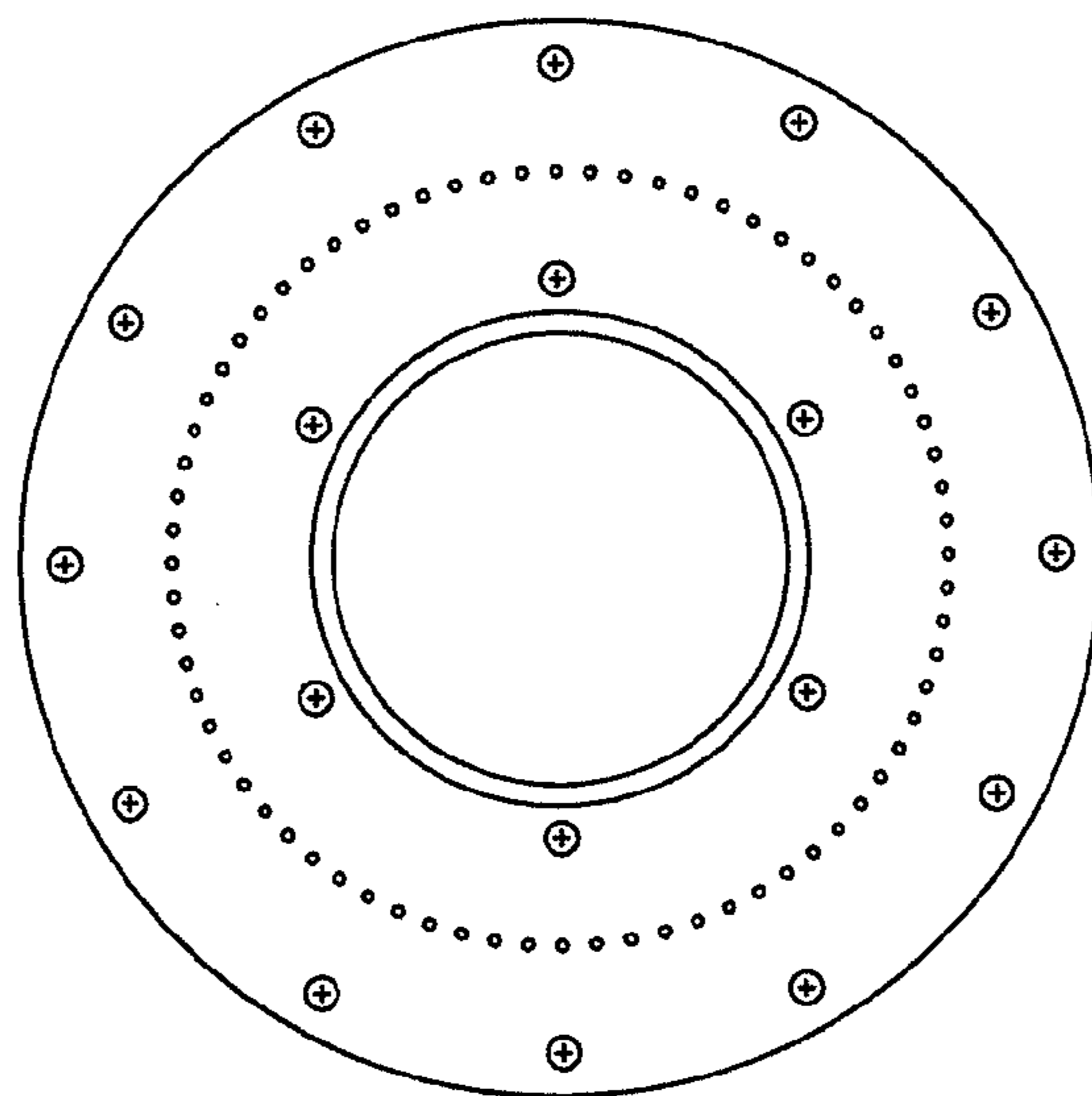


FIG.7

