



US00D692543S

(12) **United States Design Patent**
Gorman et al.

(10) **Patent No.:** **US D692,543 S**

(45) **Date of Patent:** **** Oct. 29, 2013**

(54) **MULTI-POCKET BAG FILTER**

(75) Inventors: **Joseph J. Gorman**, Sussex, NJ (US);
Steven T. Devine, Rockaway, NJ (US)

(73) Assignee: **Camfil Farr, Inc.**, Riverdale, NJ (US)

(**) Term: **14 Years**

(21) Appl. No.: **29/385,235**

(22) Filed: **Feb. 10, 2011**

(51) **LOC (9) Cl.** **23-04**

(52) **U.S. Cl.**
USPC **D23/365**

(58) **Field of Classification Search**
USPC D23/365, 209, 363, 358, 386, 354, 341,
D23/364; 55/484, 385.3, 502, 497, 506,
55/505, 521, 495, 422, 493, DIG. 30, 323;
210/435, 130, 136, 248, 339, 448, 452,
210/497.1; D32/31; D15/5; 454/291

See application file for complete search history.

(56) **References Cited**

U.S. PATENT DOCUMENTS

2,071,806	A *	2/1937	Walker	D23/365
3,691,736	A *	9/1972	Neumann	55/484
4,325,718	A *	4/1982	Burkhead	55/521
4,706,552	A *	11/1987	Maguire	454/291
D366,106	S *	1/1996	Yamamoto et al.	D23/365
D455,826	S *	4/2002	Gillingham et al.	D23/365
6,375,699	B1 *	4/2002	Beck	55/497
6,755,879	B2 *	6/2004	Watvedt	55/494
6,986,799	B2 *	1/2006	Ham	55/521
7,048,501	B2 *	5/2006	Katayama et al.	415/121.2

D584,807	S *	1/2009	Sundvik et al.	D23/365
7,754,041	B2 *	7/2010	Fox et al.	55/521
8,029,585	B2 *	10/2011	Sundvik et al.	55/484

* cited by examiner

Primary Examiner — David Muller

(74) *Attorney, Agent, or Firm* — Patterson & Sheridan, LLP

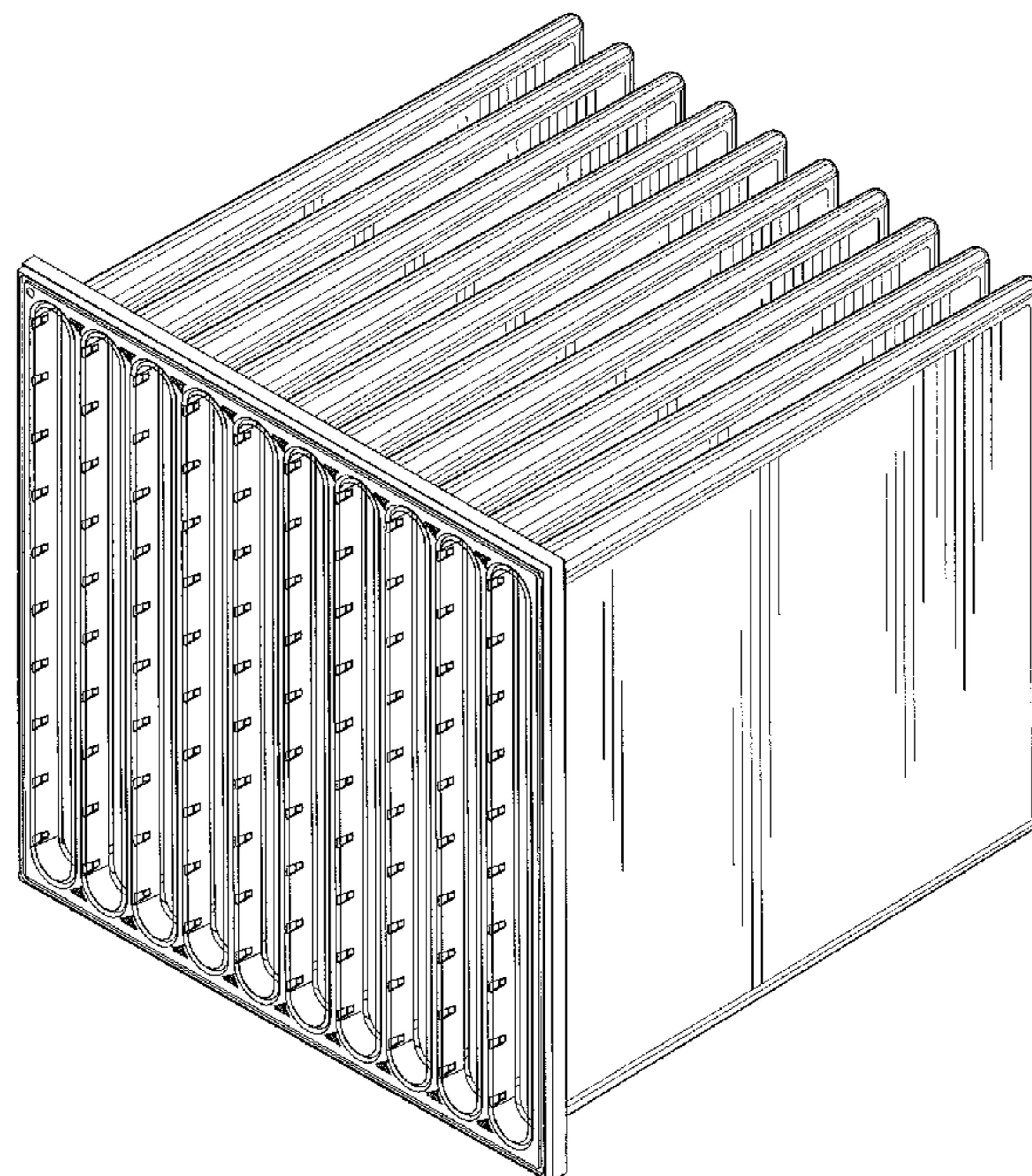
(57) **CLAIM**

The ornamental design for a multi-pocket bag filter, as shown and described.

DESCRIPTION

FIG. 1 is a front perspective view of a filter showing our new design;
 FIG. 2 is a front view thereof;
 FIG. 3 is a side view thereof;
 FIG. 4 is an opposite side view thereof;
 FIG. 5 is a top view thereof;
 FIG. 6 is bottom view thereof;
 FIG. 7 is a rear view thereof;
 FIG. 8 is a front view of the filter of FIG. 1 that has been lined for color to indicate black and green regions, accordingly;
 FIG. 9 is a left side view of the filter of FIG. 1, the right side being a mirror image thereof, and has been lined for color to indicate black and green regions;
 FIG. 10 is a top view thereof, the bottom being a mirror image thereof, and has been lined for color to indicate black and green regions;
 FIG. 11 is a rear view thereof and has been lined for color to indicate black and green regions; and,
 FIG. 12 is a perspective view of the filter of FIG. 1 that has been lined for color to indicate black and green regions.

1 Claim, 12 Drawing Sheets



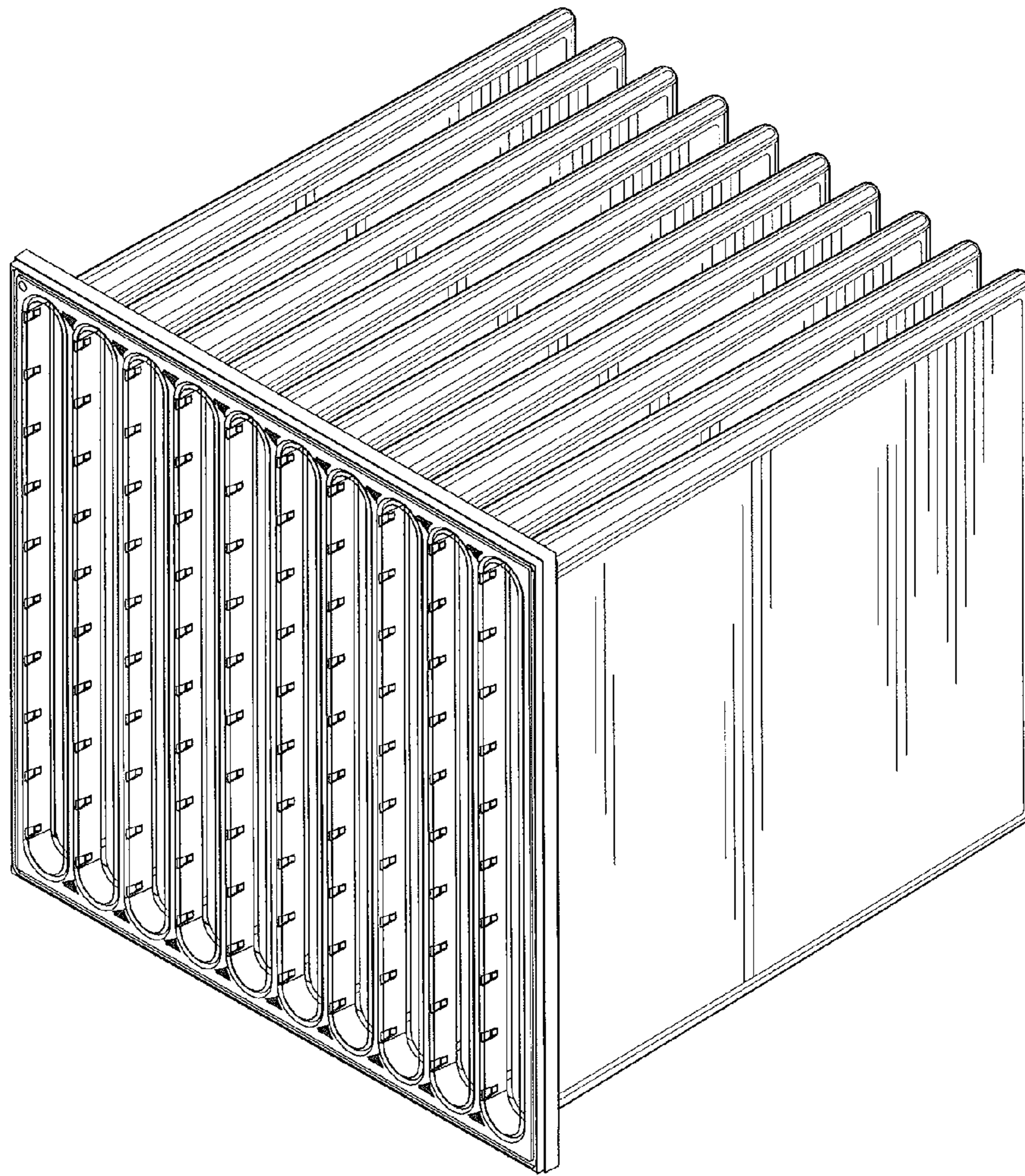


FIG. 1

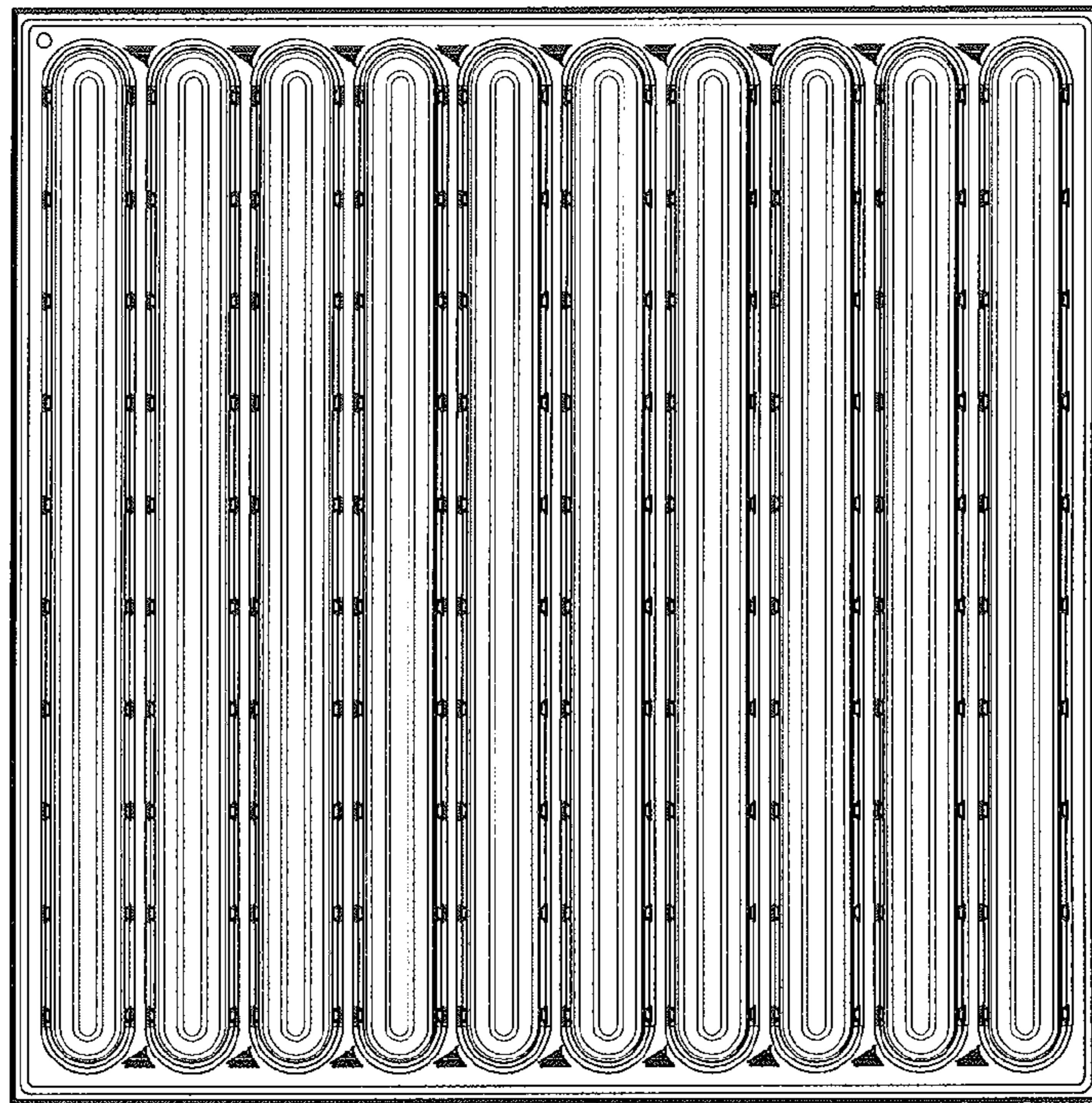


FIG. 2

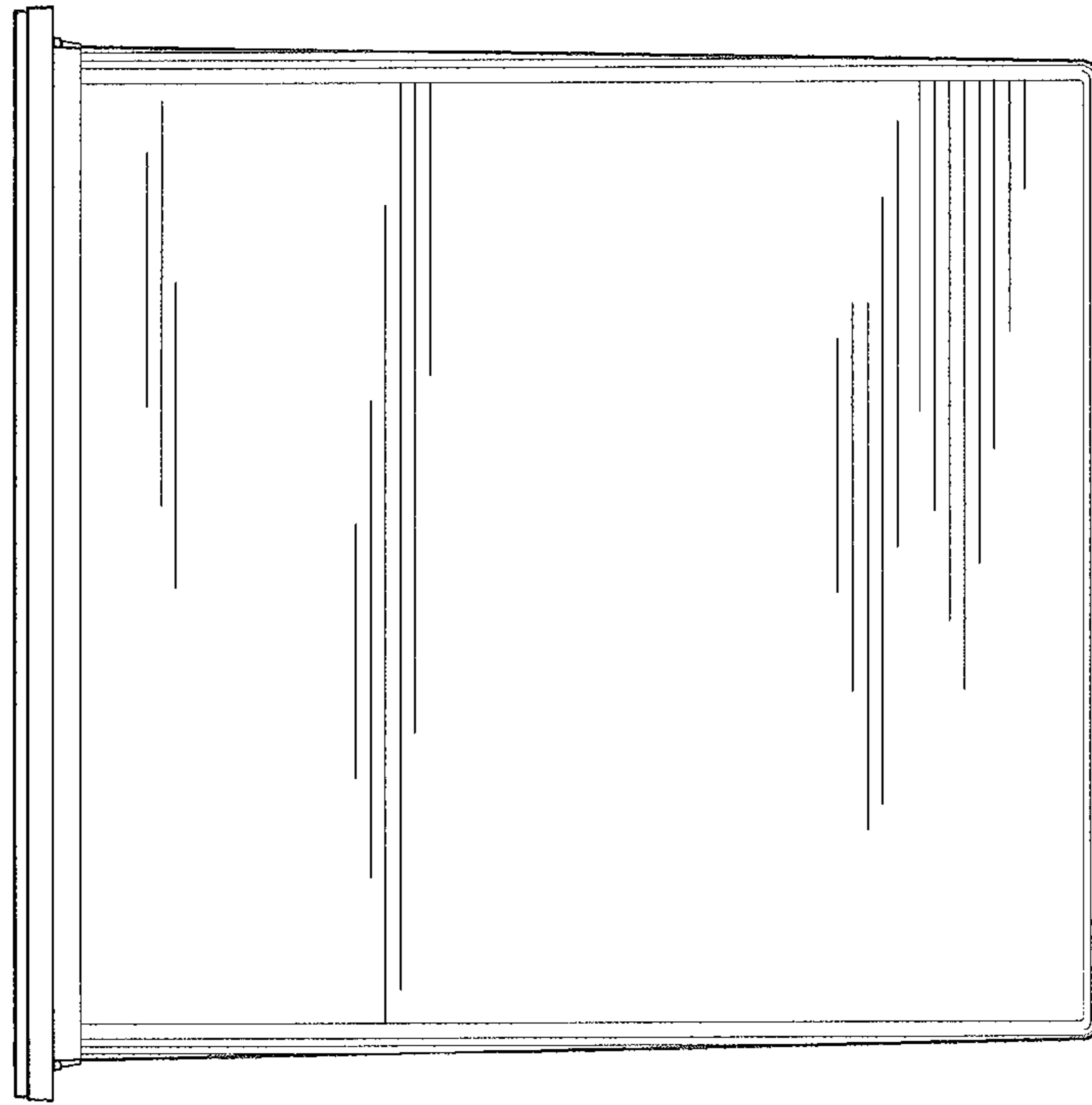


FIG. 3

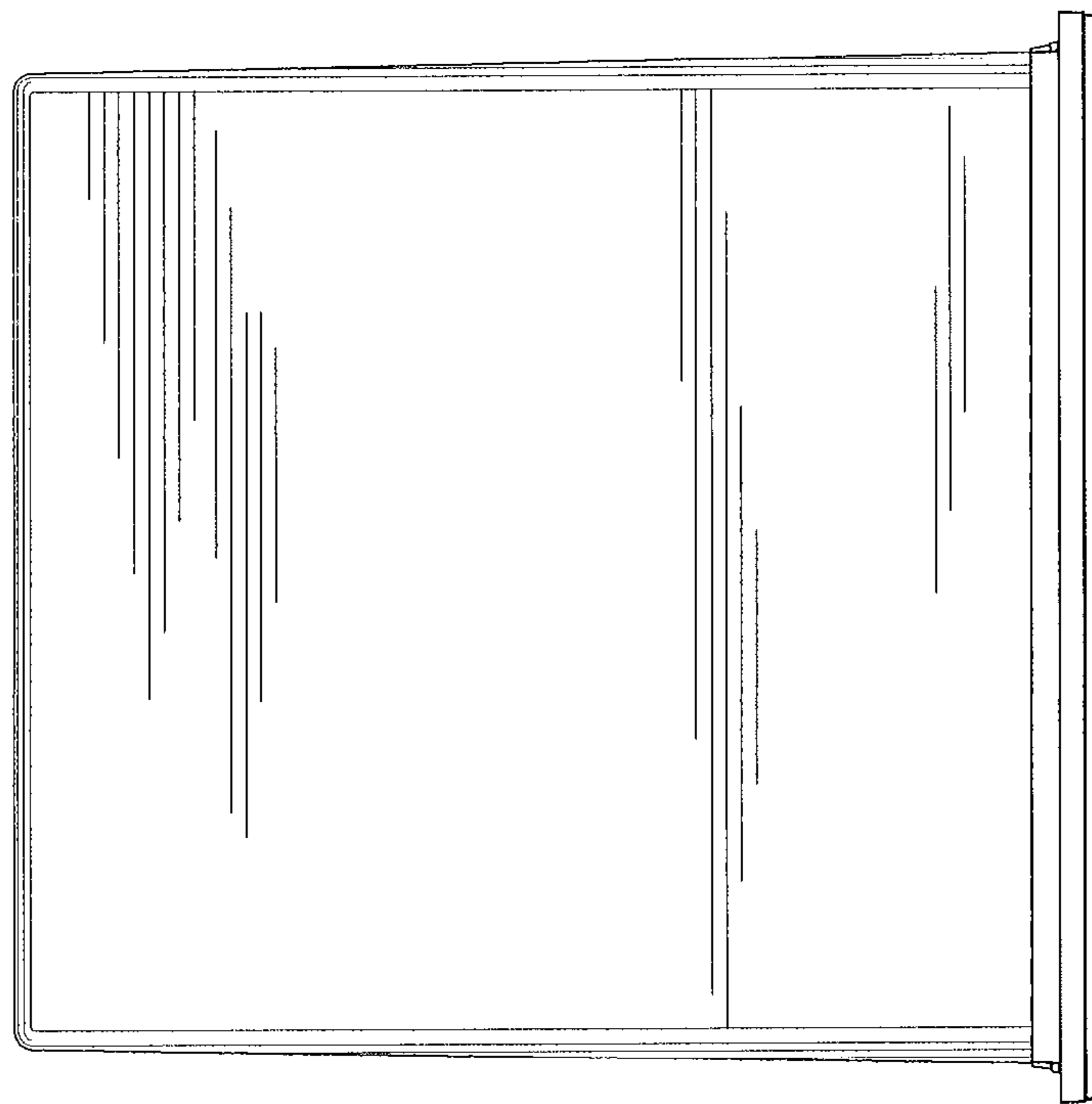


FIG. 4

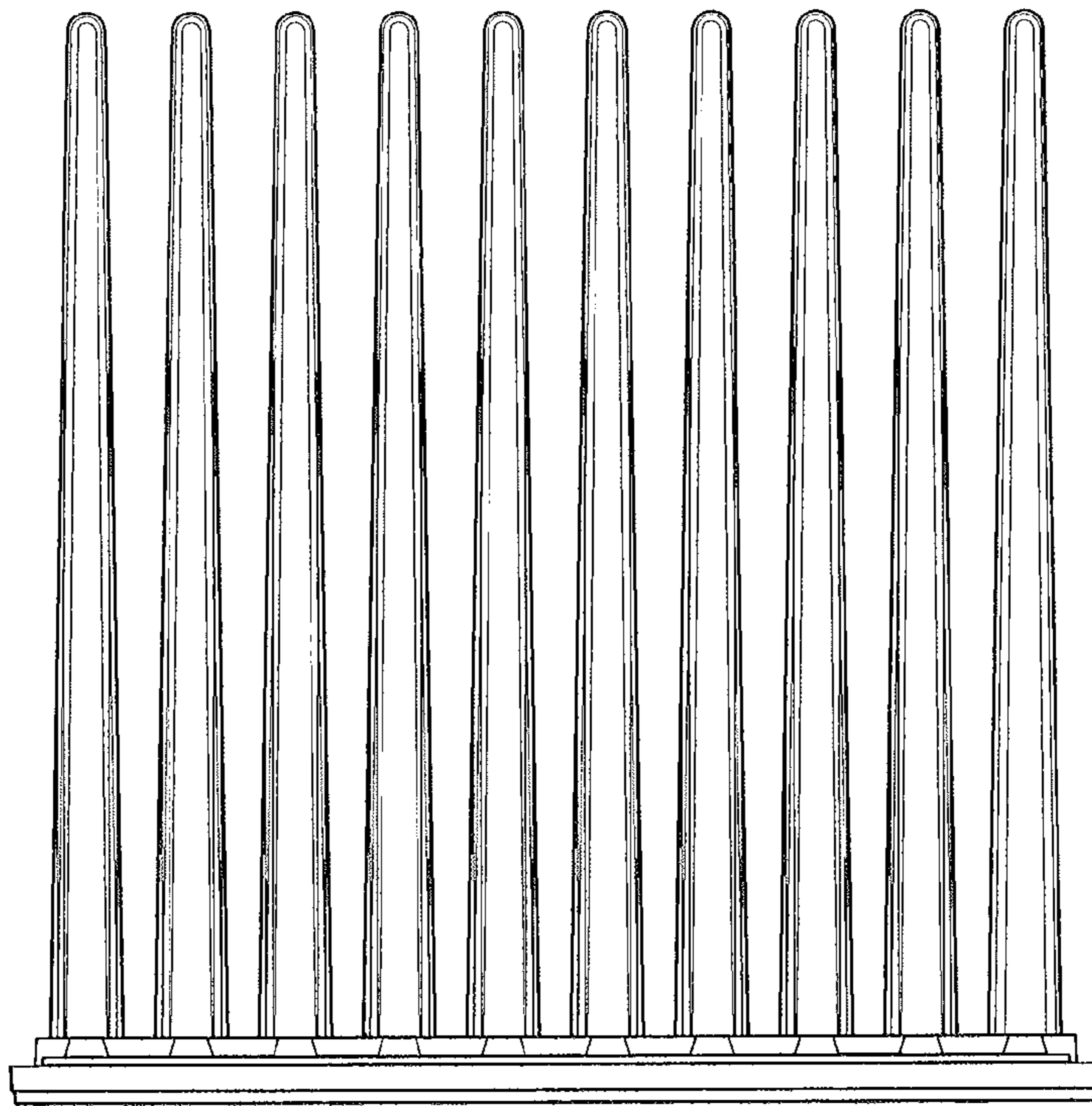


FIG. 5

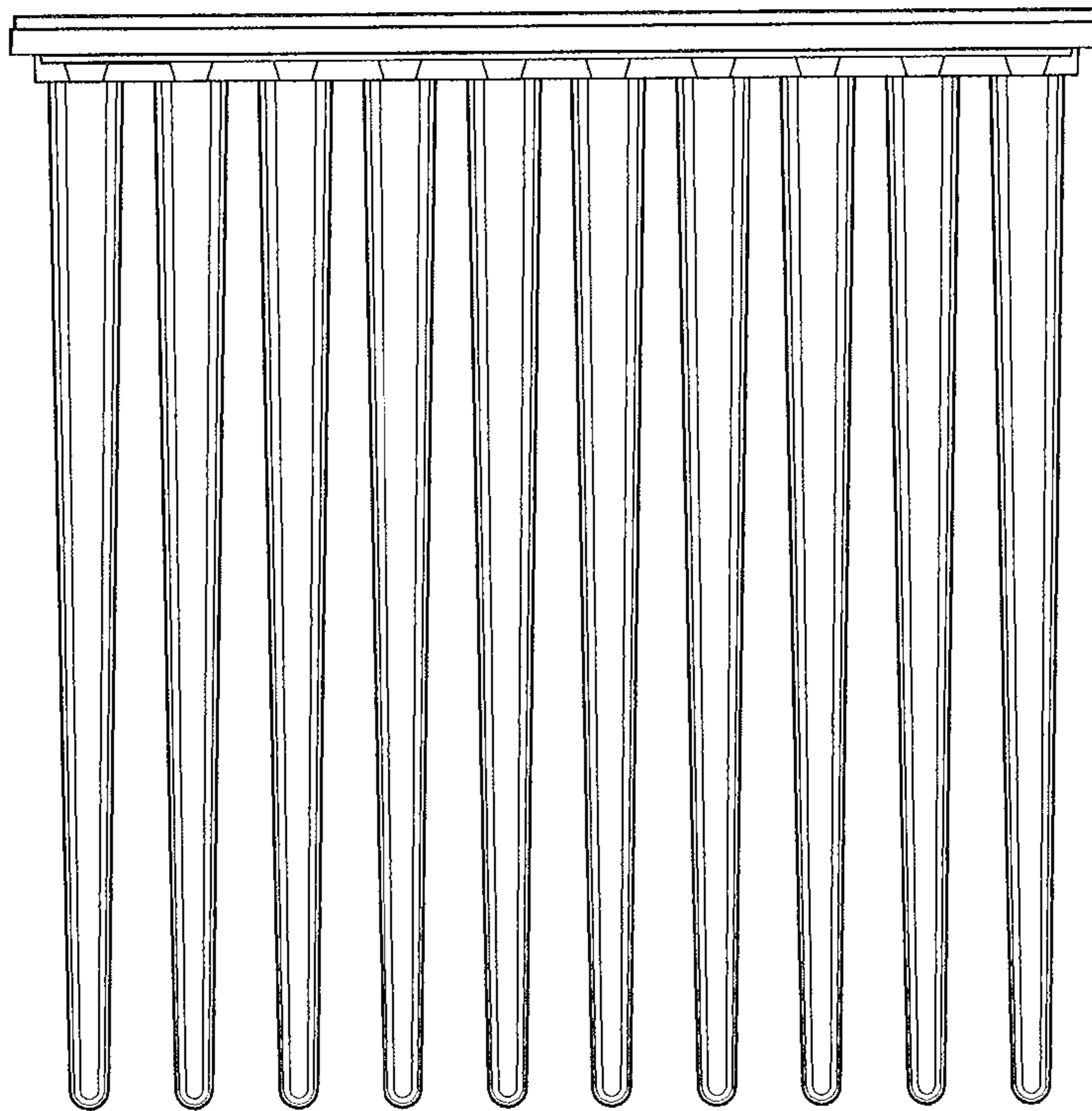


FIG. 6

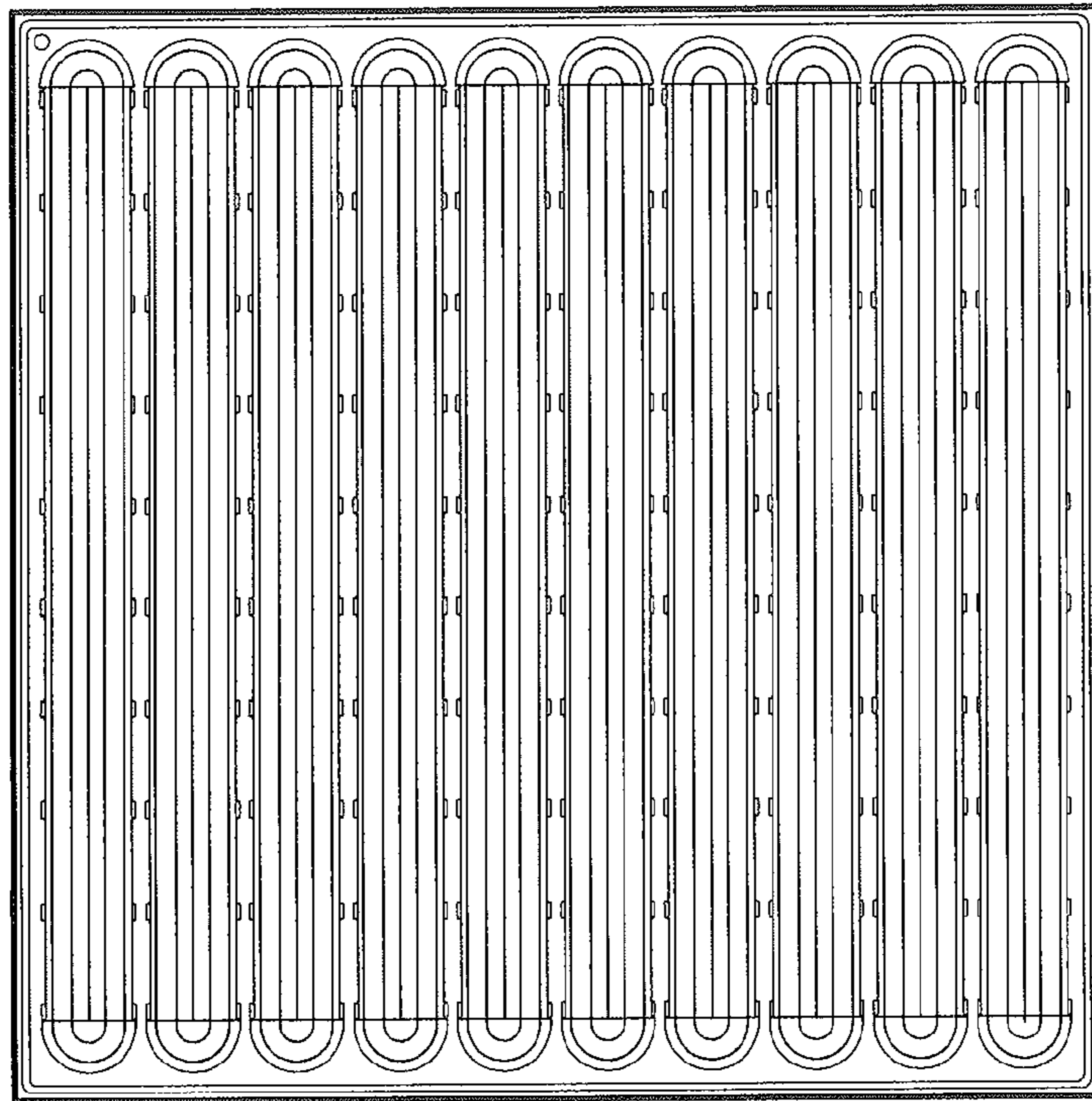


FIG. 7

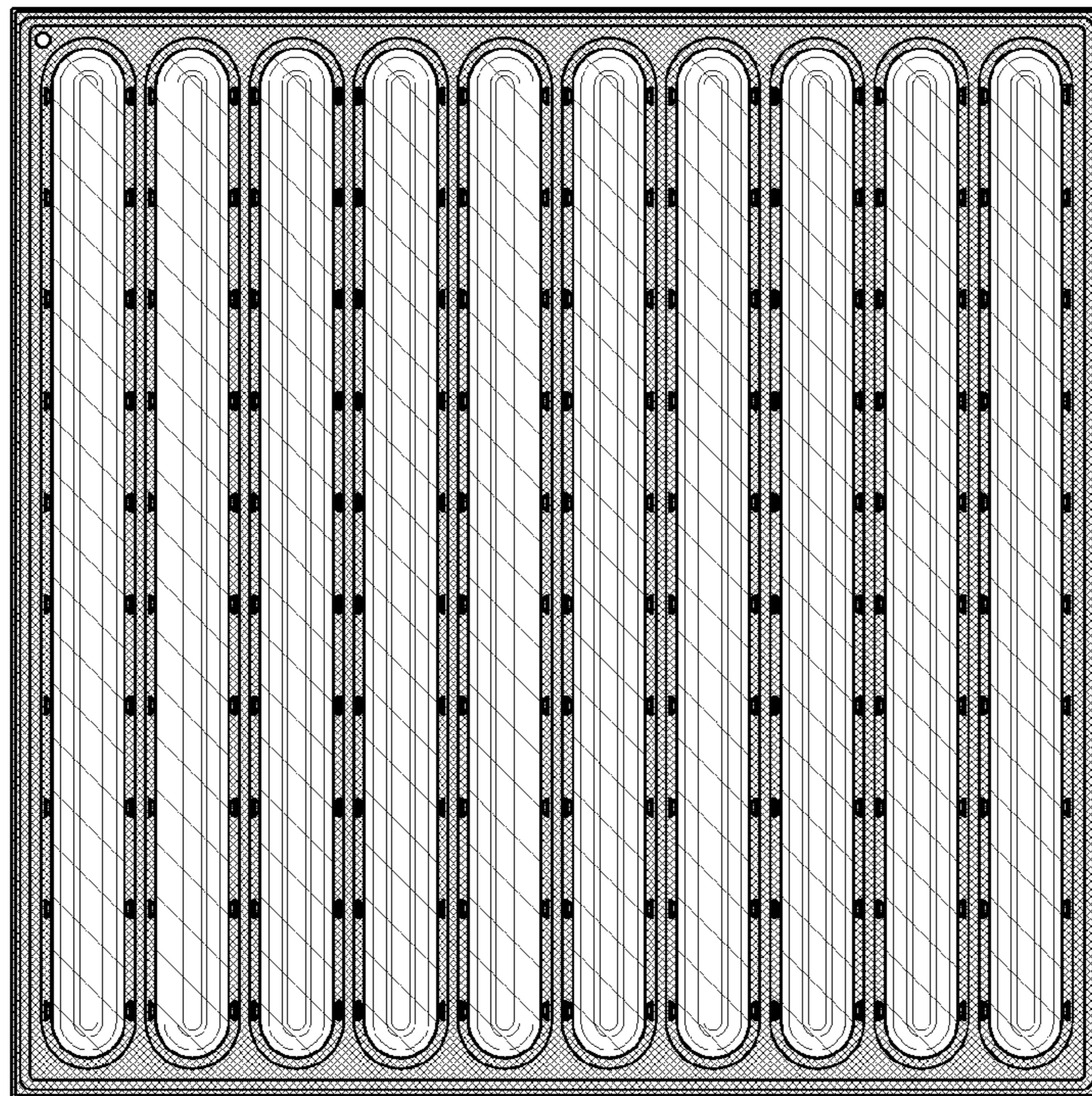


FIG. 8

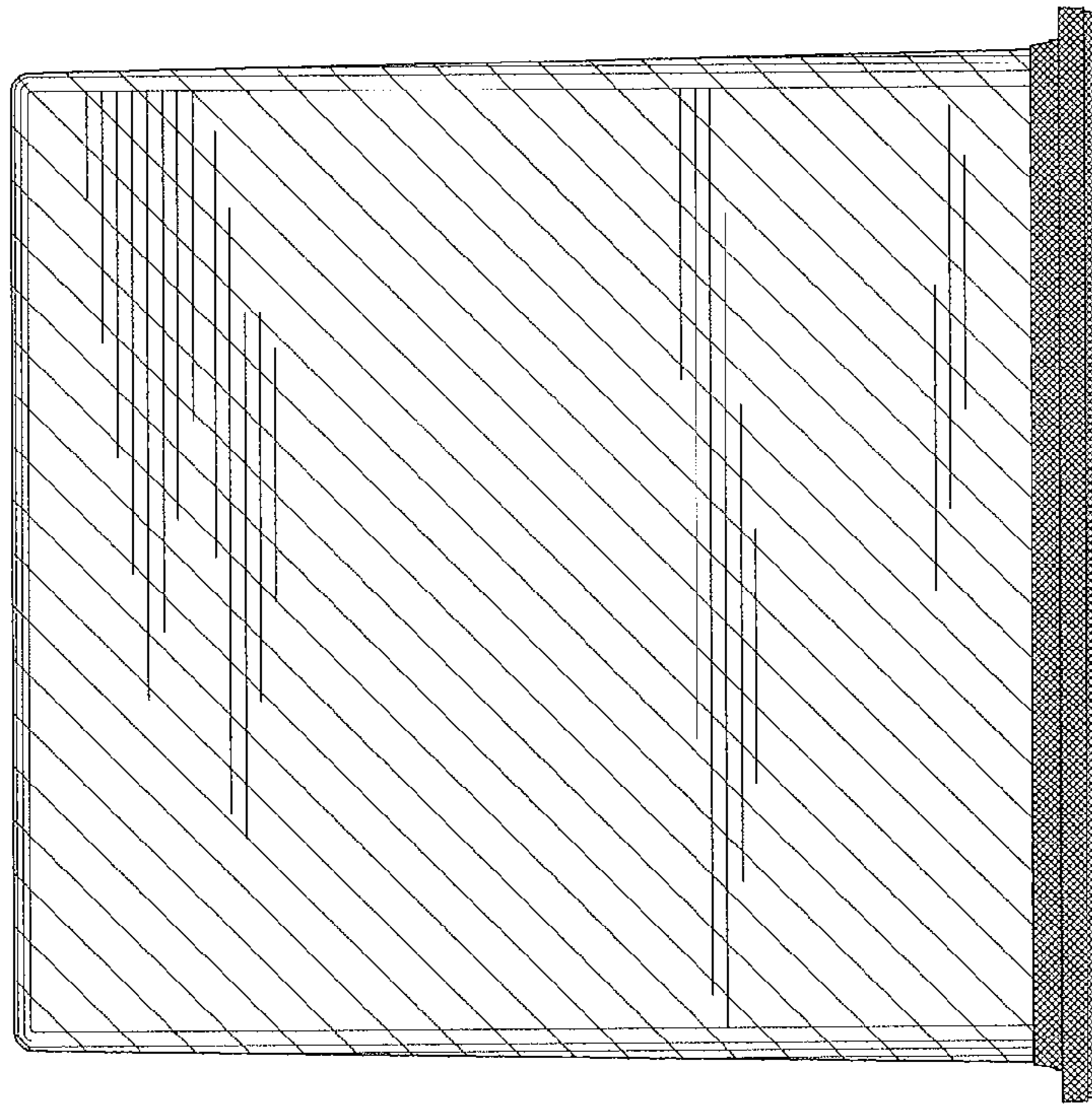


FIG. 9

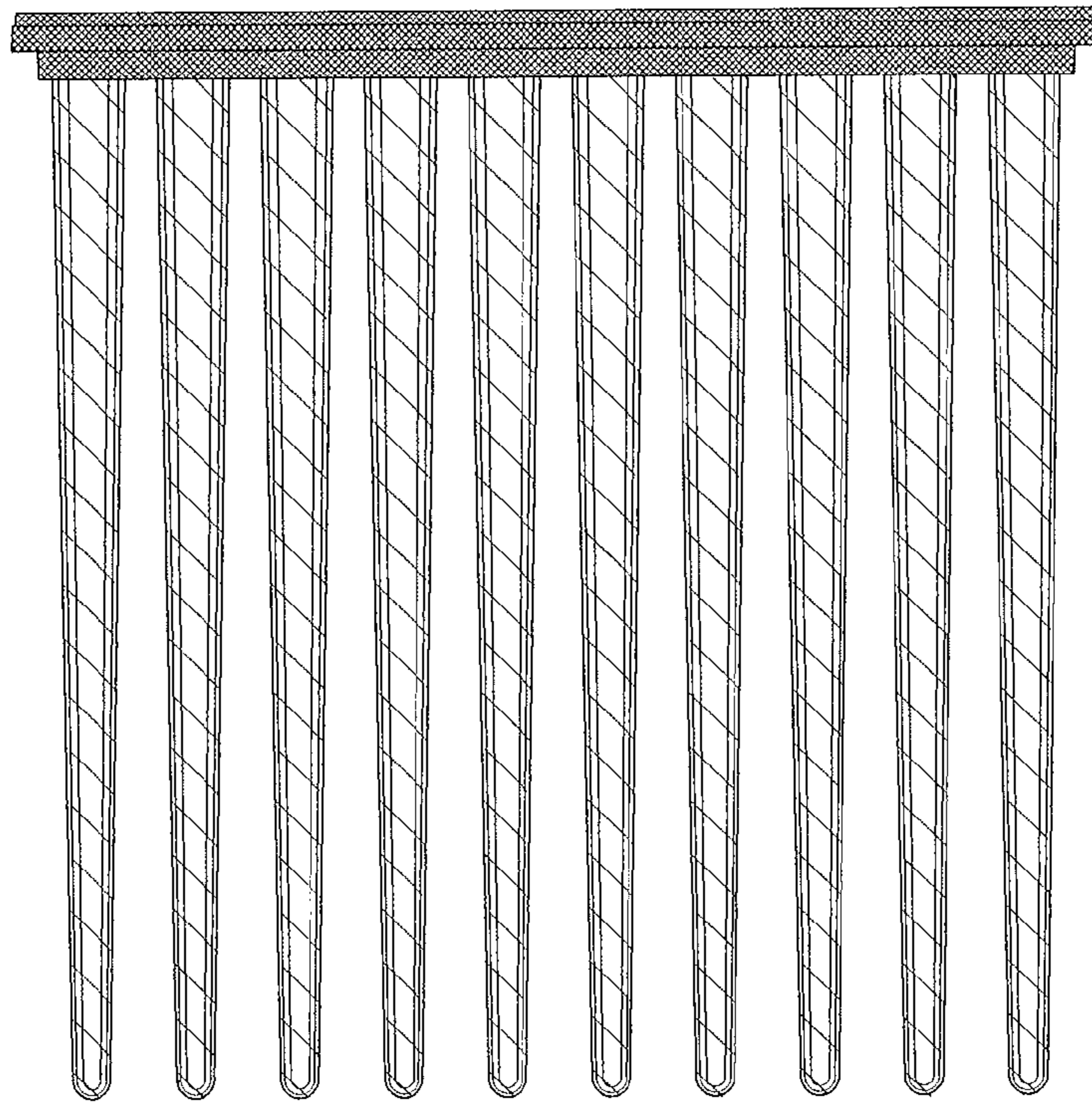


FIG. 10

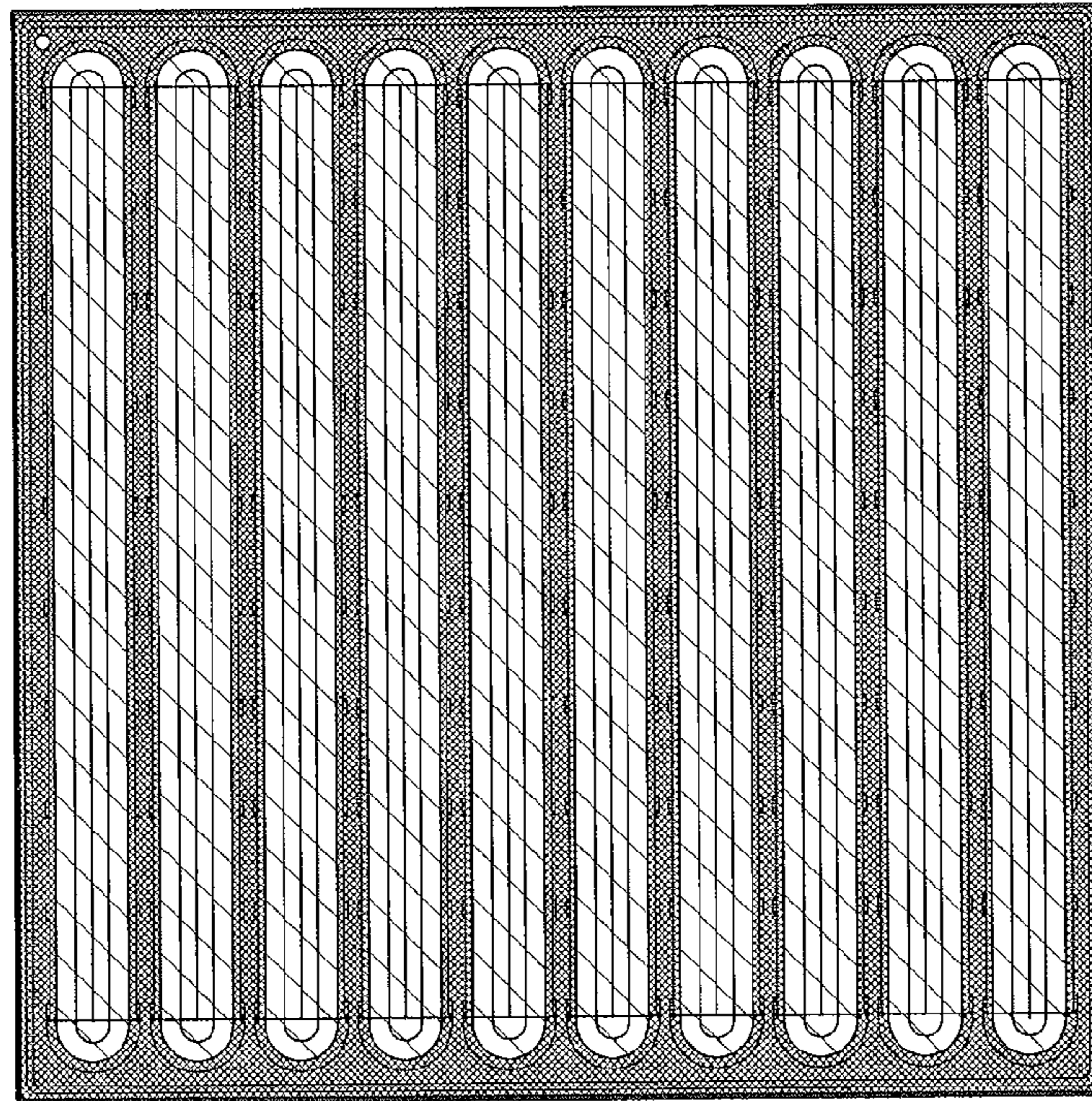


FIG. 11

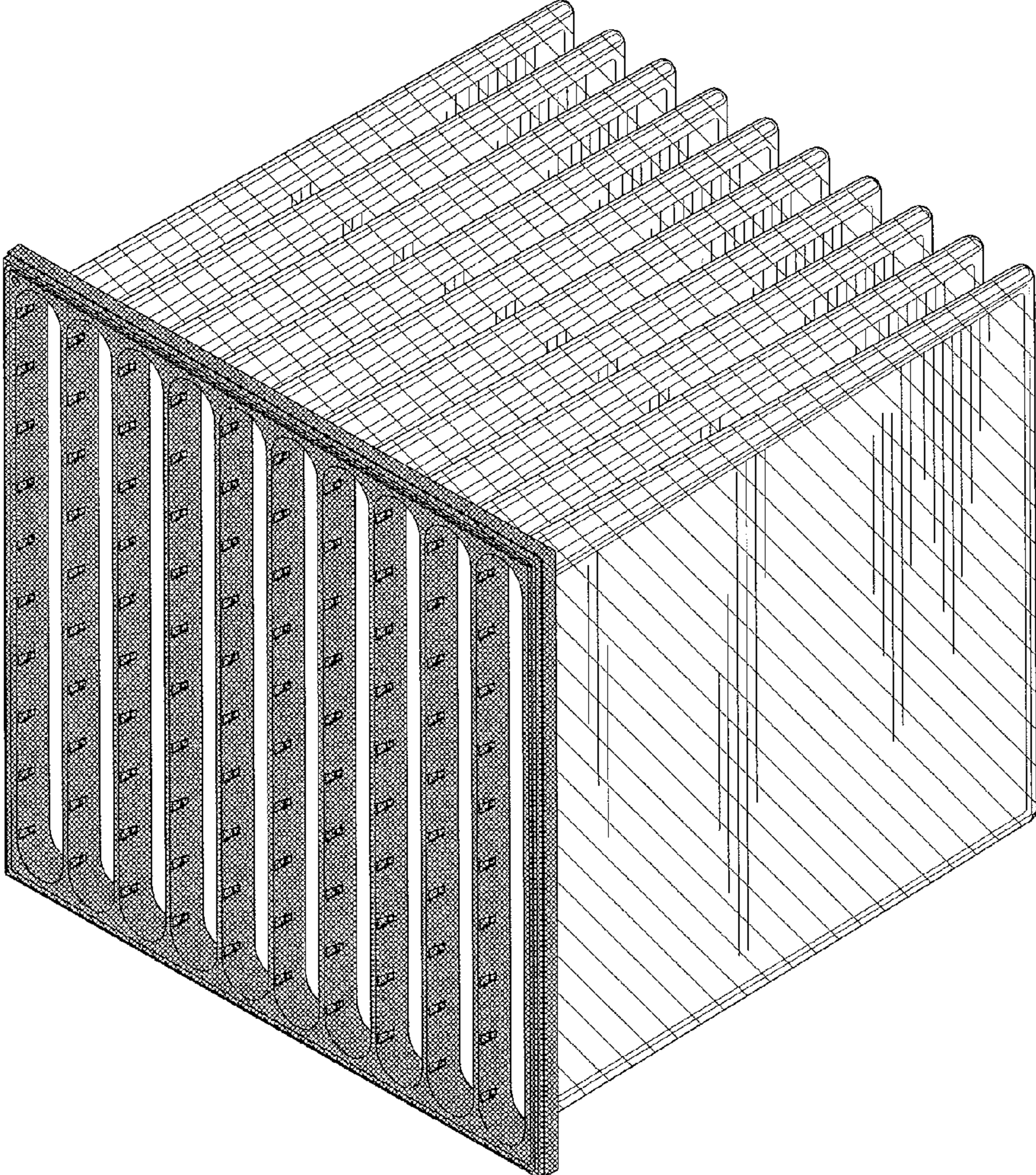


FIG. 12