



US00D692542S

(12) **United States Design Patent**
Robinet et al.

(10) **Patent No.:** **US D692,542 S**

(45) **Date of Patent:** **** Oct. 29, 2013**

(54) **FURNACE CABINET PANEL**
(75) Inventors: **Mark Robinet**, Barrie (CA); **Chris Marshall**, Coldwater (CA)
(73) Assignee: **Wolf Steel Ltd.**, Ontario (CA)

5,345,924 A * 9/1994 Rieke et al. 126/110 R
D501,544 S * 2/2005 Smith et al. D23/329
D502,253 S * 2/2005 Smith et al. D23/329
D502,254 S * 2/2005 Smith et al. D23/329
D623,280 S * 9/2010 Bartlett et al. D23/329
D633,994 S * 3/2011 Gedcke et al. D23/329
D638,529 S * 5/2011 Gedcke et al. D23/329

(**) Term: **14 Years**

* cited by examiner

(21) Appl. No.: **29/389,674**

Primary Examiner — T. Chase Nelson

Assistant Examiner — Ania Aman

(22) Filed: **Apr. 14, 2011**

(74) *Attorney, Agent, or Firm* — Banner & Witcoff, Ltd.

(30) **Foreign Application Priority Data**

(57) **CLAIM**

The ornamental design for a furnace cabinet panel, as shown and described.

Mar. 18, 2011 (CA) 139722

(51) **LOC (9) Cl.** **23-03**

(52) **U.S. Cl.**
USPC **D23/329**

DESCRIPTION

(58) **Field of Classification Search**
USPC D23/314, 322, 329; 373/110, 119;
219/400; 432/148, 176, 77
See application file for complete search history.

FIG. 1 is a perspective view of a furnace cabinet panel showing our new design;
FIG. 2 is a top view thereof;
FIG. 3 is a front view thereof; and,
FIG. 4 is a left side view thereof, the right side view being a mirror image thereof.

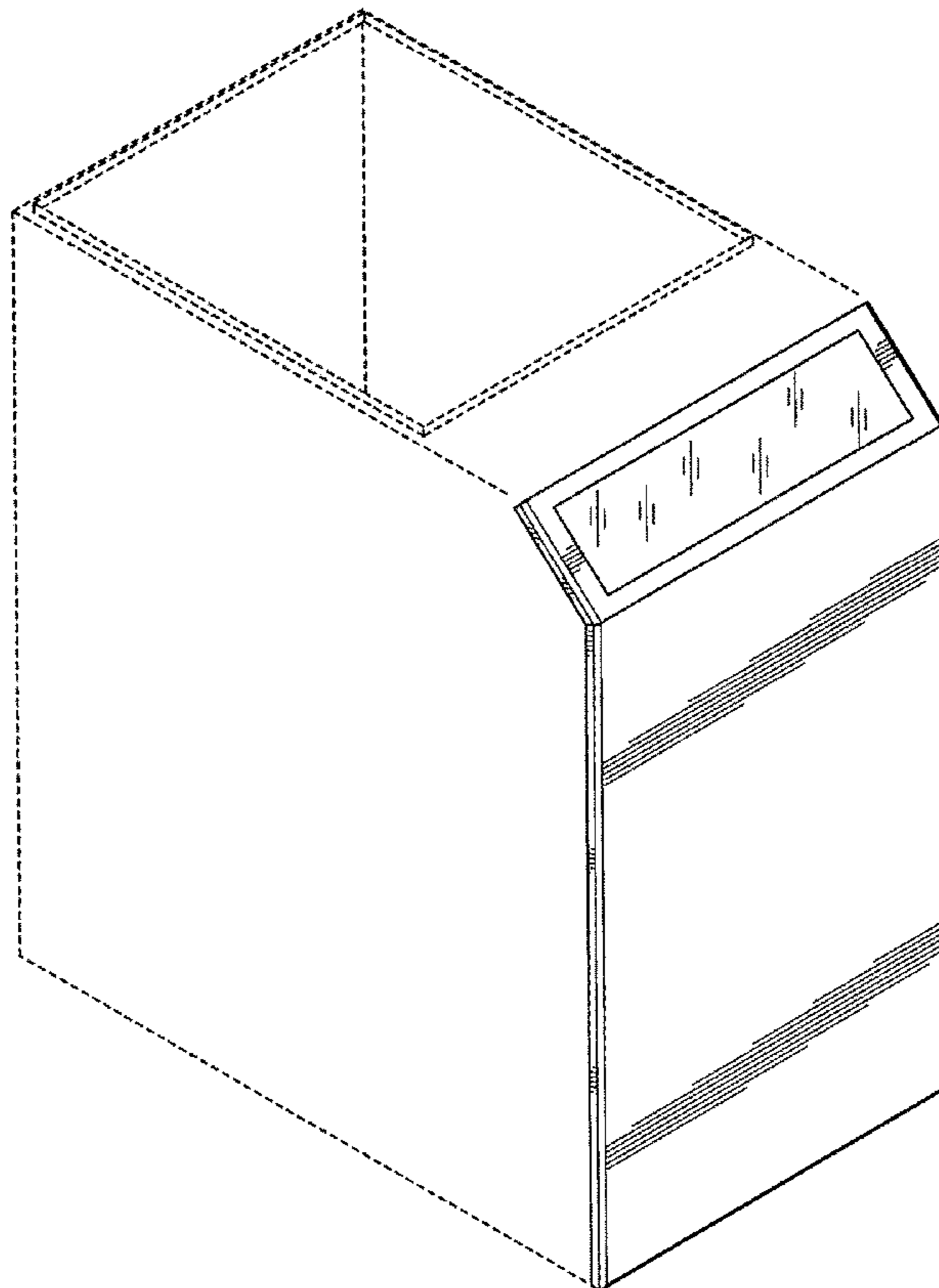
The broken line showing of additional structure of a furnace in FIG. 1 is for environmental purposes only and forms no part of the claimed design.

(56) **References Cited**

U.S. PATENT DOCUMENTS

D230,981 S * 3/1974 Dupler D23/329
5,341,796 A * 8/1994 Beck et al. 126/110 R

1 Claim, 2 Drawing Sheets



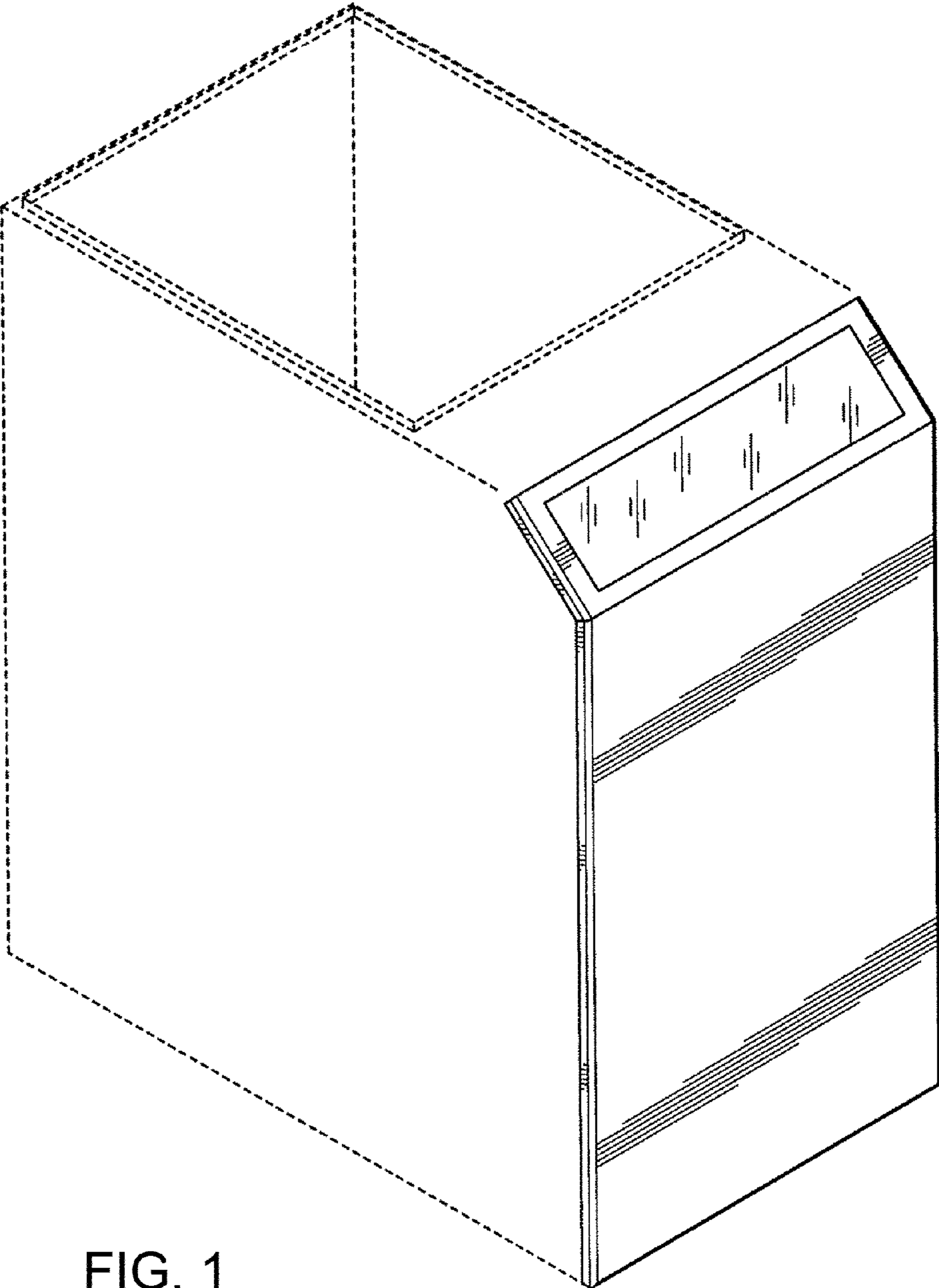


FIG. 1

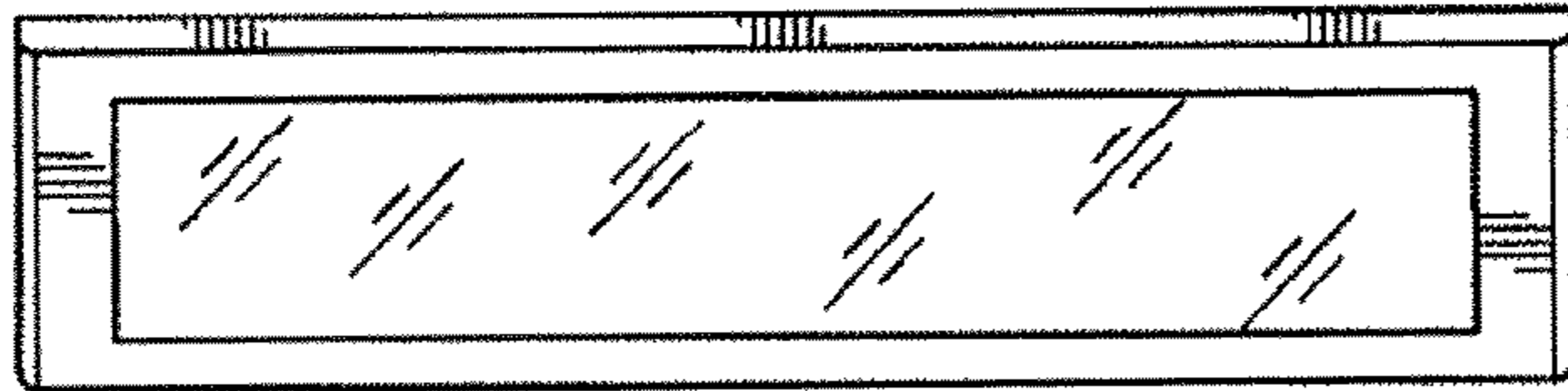


FIG. 2

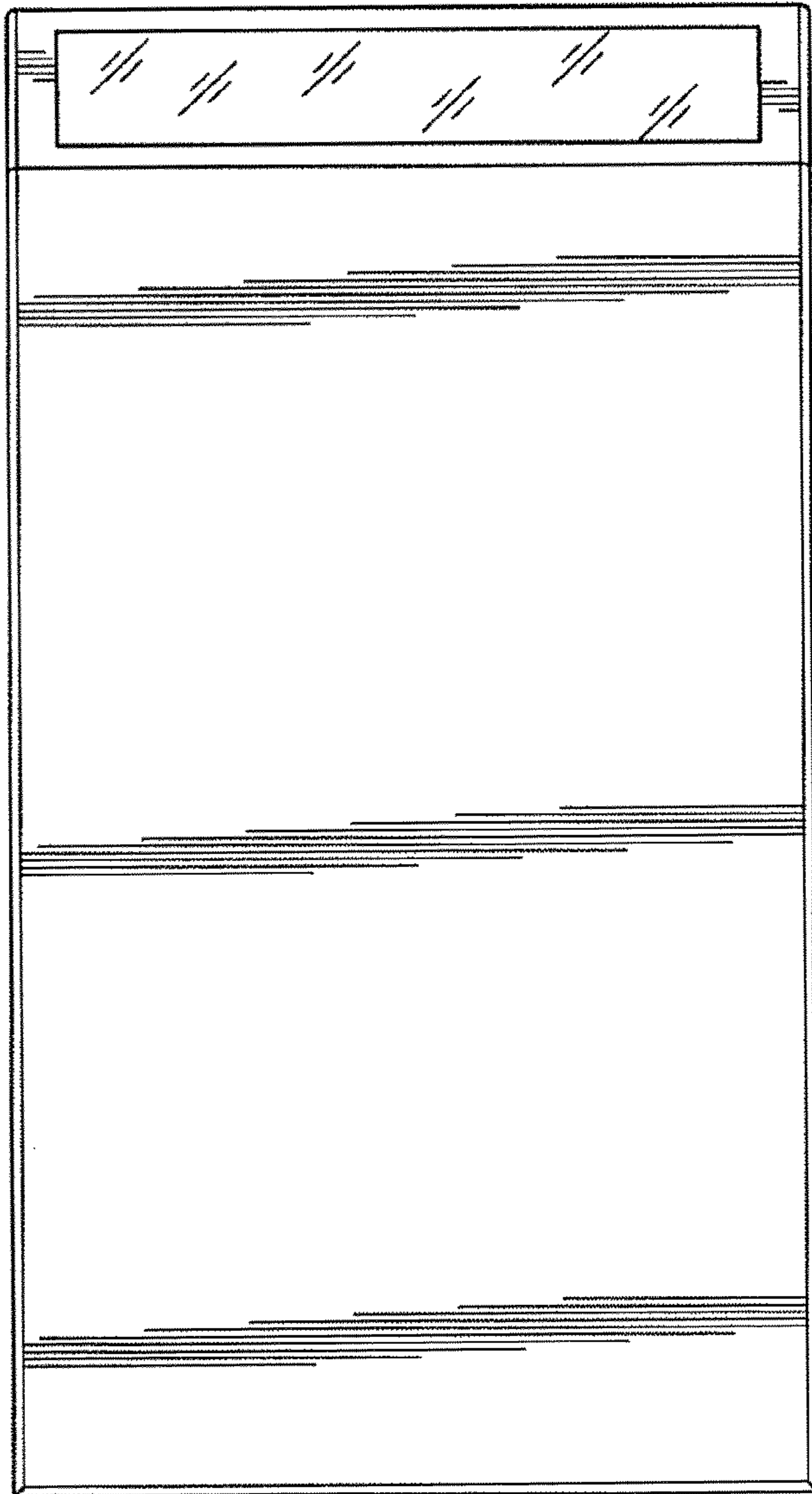


FIG. 3

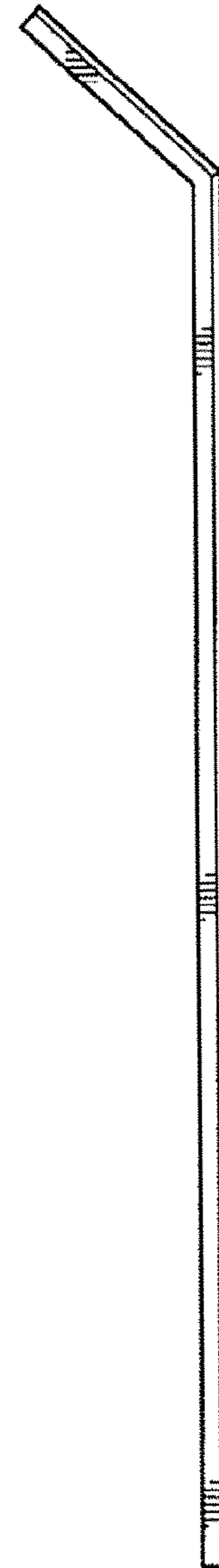


FIG. 4