



US00D692538S

(12) **United States Design Patent**
Flowers et al.

(10) **Patent No.:** **US D692,538 S**

(45) **Date of Patent:** **** Oct. 29, 2013**

(54) **FAUCET**

D636,853 S * 4/2011 Yu D23/238
D640,353 S * 6/2011 Gao et al. D23/255
D648,003 S * 11/2011 Gao et al. D23/255

(71) Applicant: **Grohe AG**, Hemer (DE)

* cited by examiner

(72) Inventors: **Paul Flowers**, Duesseldorf (DE);
Antoine Besseyre Des Horts,
Duesseldorf (DE)

Primary Examiner — Robert Delehanty

(74) *Attorney, Agent, or Firm* — Muncy, Geissler, Olds &
Lowe, PLLC

(73) Assignee: **Grohe AG**, Hemer (DE)

(57) **CLAIM**

(**) Term: **14 Years**

The ornamental design for a faucet, as shown and described.

(21) Appl. No.: **29/432,872**

DESCRIPTION

(22) Filed: **Sep. 21, 2012**

(30) **Foreign Application Priority Data**

Mar. 22, 2012 (EM) 002013425-0002

(51) **LOC (9) Cl.** **23-01**

(52) **U.S. Cl.**
USPC **D23/238**

(58) **Field of Classification Search**
USPC D23/238–243, 250, 252, 255, 257;
4/675–678; 137/801

See application file for complete search history.

(56) **References Cited**

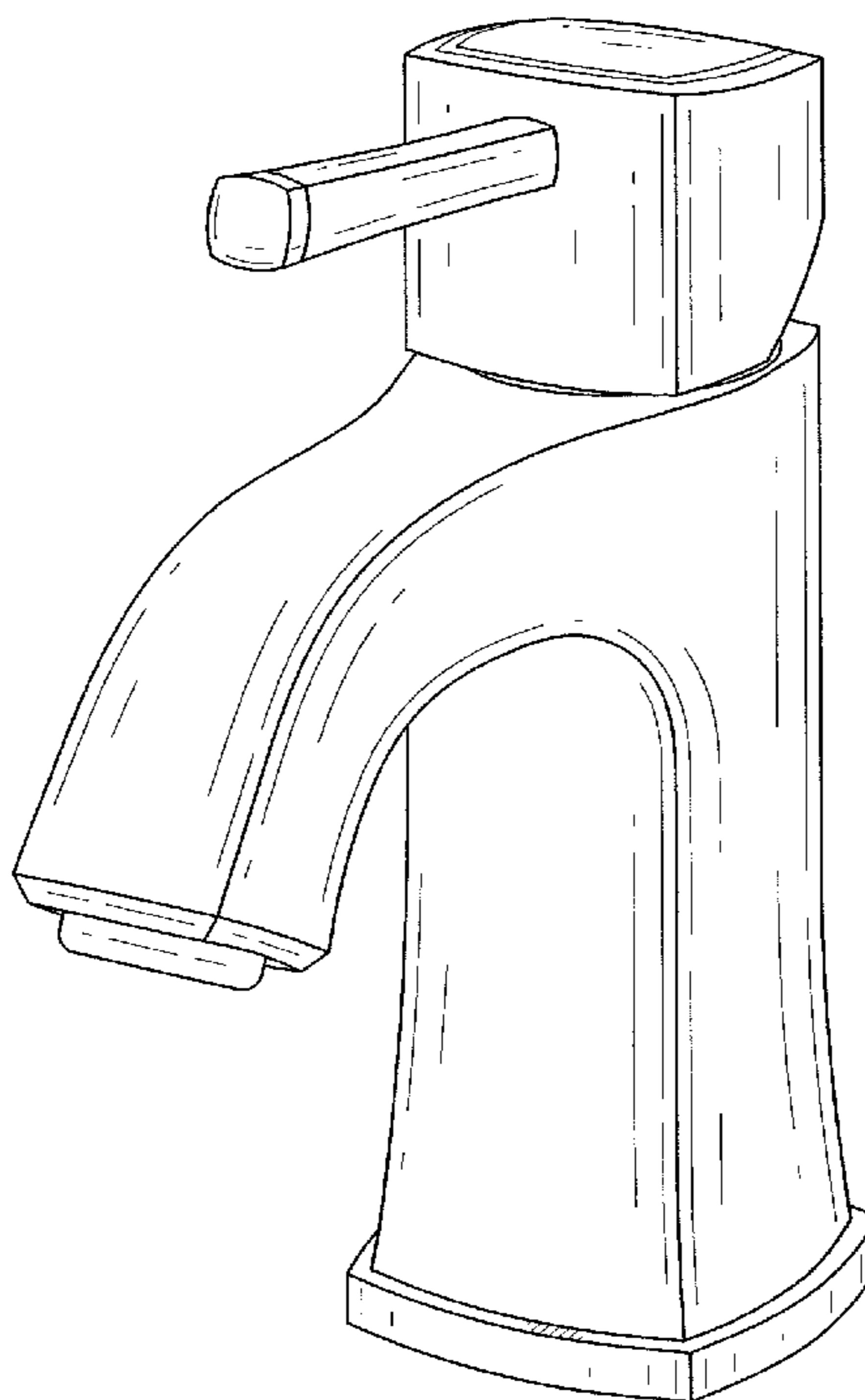
U.S. PATENT DOCUMENTS

D518,153 S * 3/2006 Theberge D23/255
D600,320 S * 9/2009 Miyamoto et al. D23/238
D607,975 S * 1/2010 Schoenherr et al. D23/238
D610,236 S * 2/2010 Schoenherr et al. D23/238

FIG. 1 is a left side elevational view of a faucet according to a first embodiment of the present invention;
FIG. 2 is a right side elevational view of the faucet of FIG. 1;
FIG. 3 is a front elevational view of the faucet of FIG. 1;
FIG. 4 is a rear elevational view of the faucet of FIG. 1;
FIG. 5 is a top plan view of the faucet of FIG. 1;
FIG. 6 is a bottom plan view of the faucet of FIG. 1;
FIG. 7 is a perspective view of the faucet of FIG. 1;
FIG. 8 is a left side elevational view of a faucet according to a second embodiment of the present invention;
FIG. 9 is a right side elevational view of the faucet of FIG. 8;
FIG. 10 is a front elevational view of the faucet of FIG. 8;
FIG. 11 is a rear elevational view of the faucet of FIG. 8;
FIG. 12 is a top plan view of the faucet of FIG. 8;
FIG. 13 is a bottom plan view of the faucet of FIG. 8; and,
FIG. 14 is a perspective view of the faucet of FIG. 8.

The dashed lines illustrate environment that does not form a part of the present invention, and no claim is made to the material illustrated with dashed lines.

1 Claim, 14 Drawing Sheets



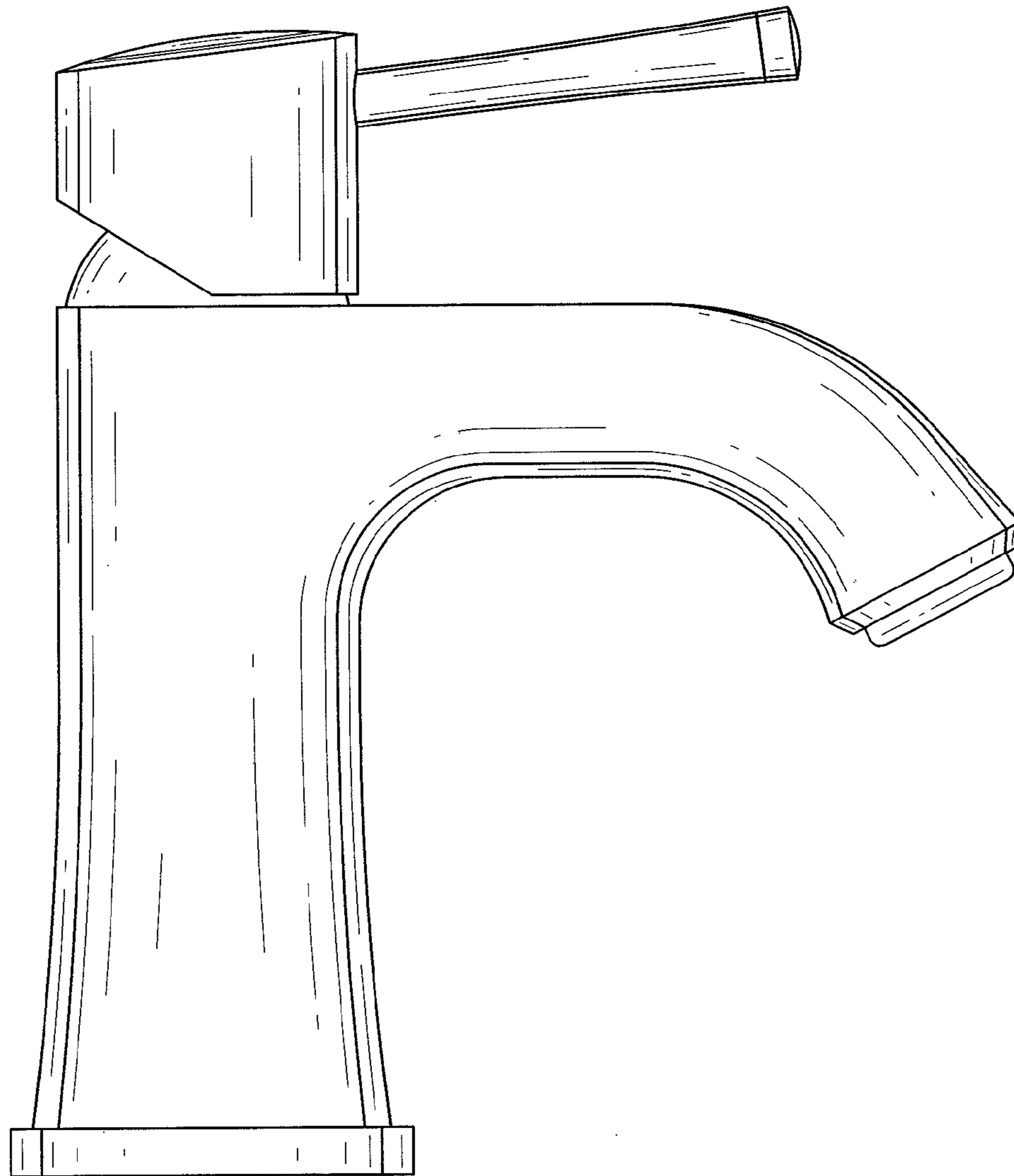


FIG. 1

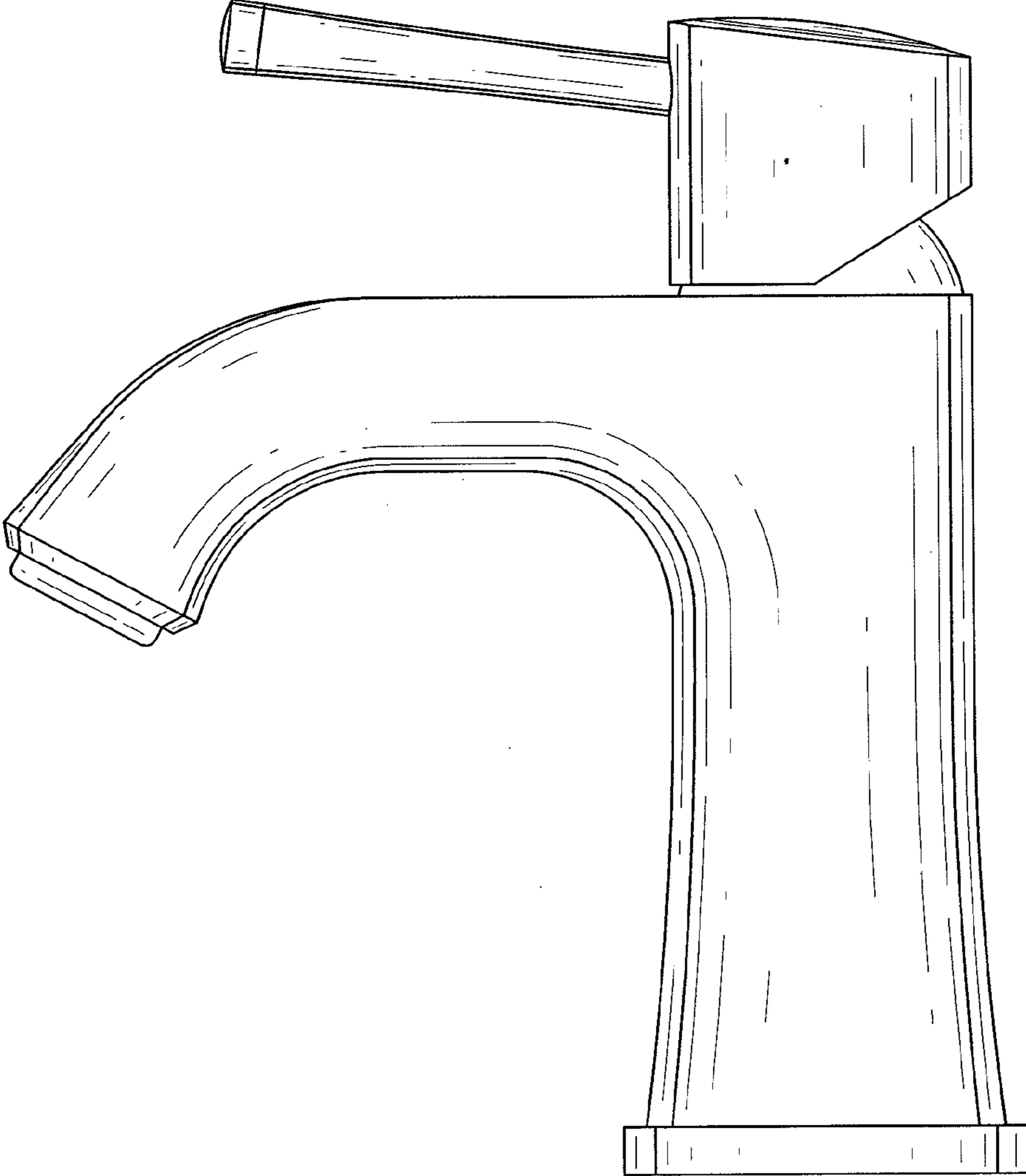


FIG.2

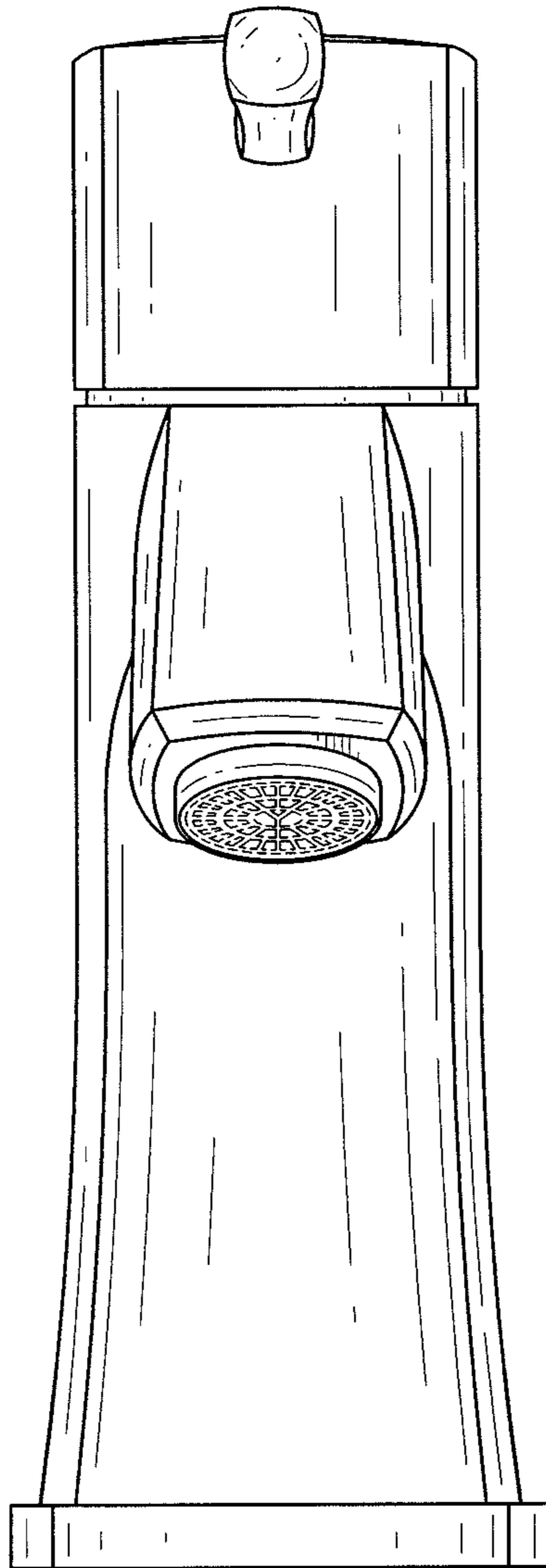


FIG.3

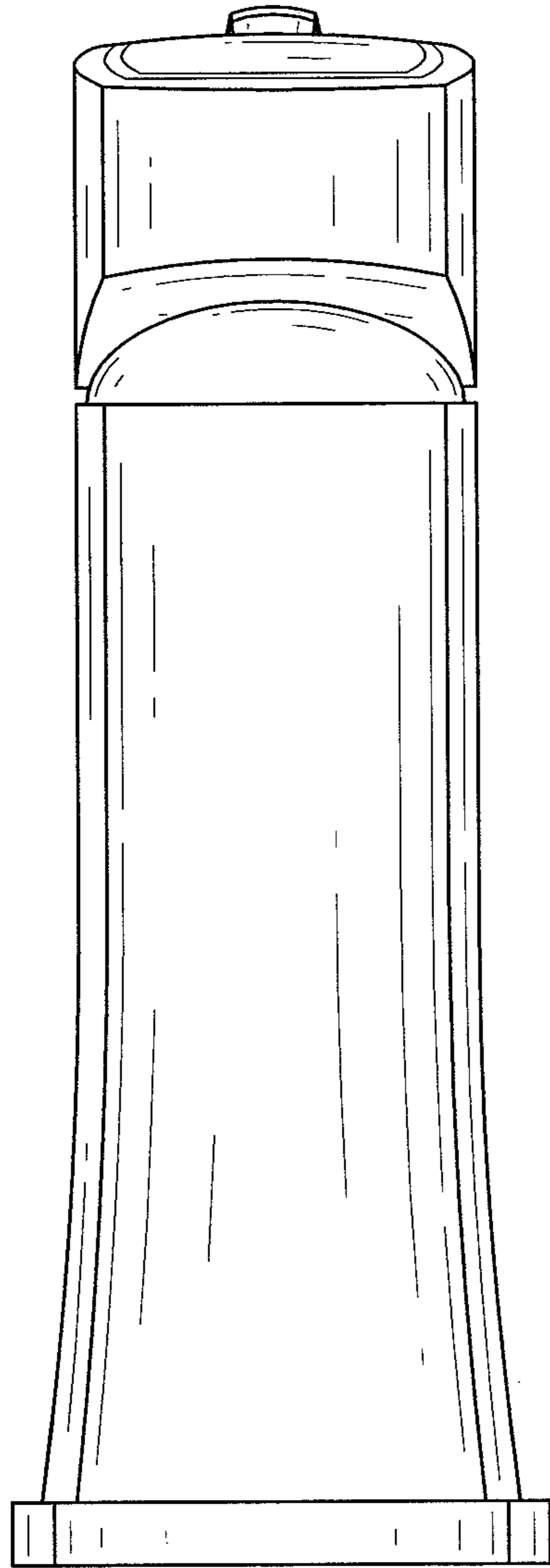


FIG.4

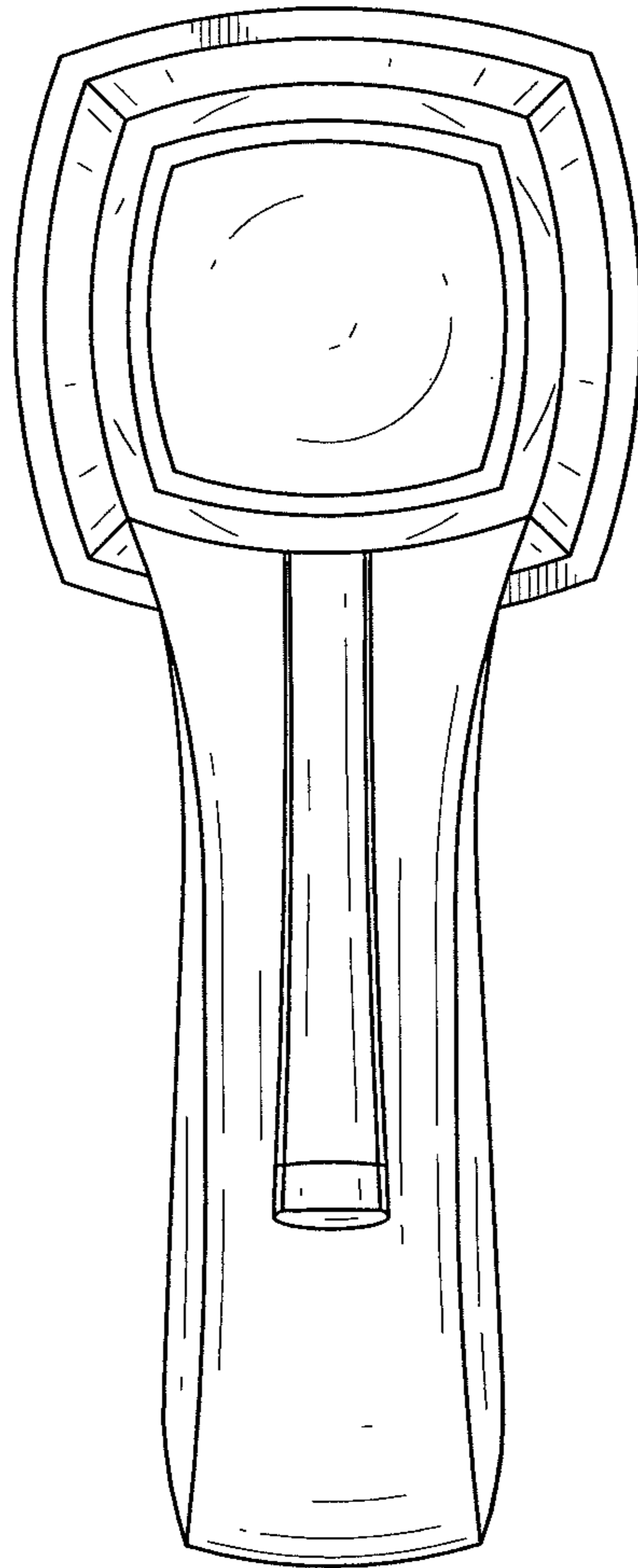


FIG.5

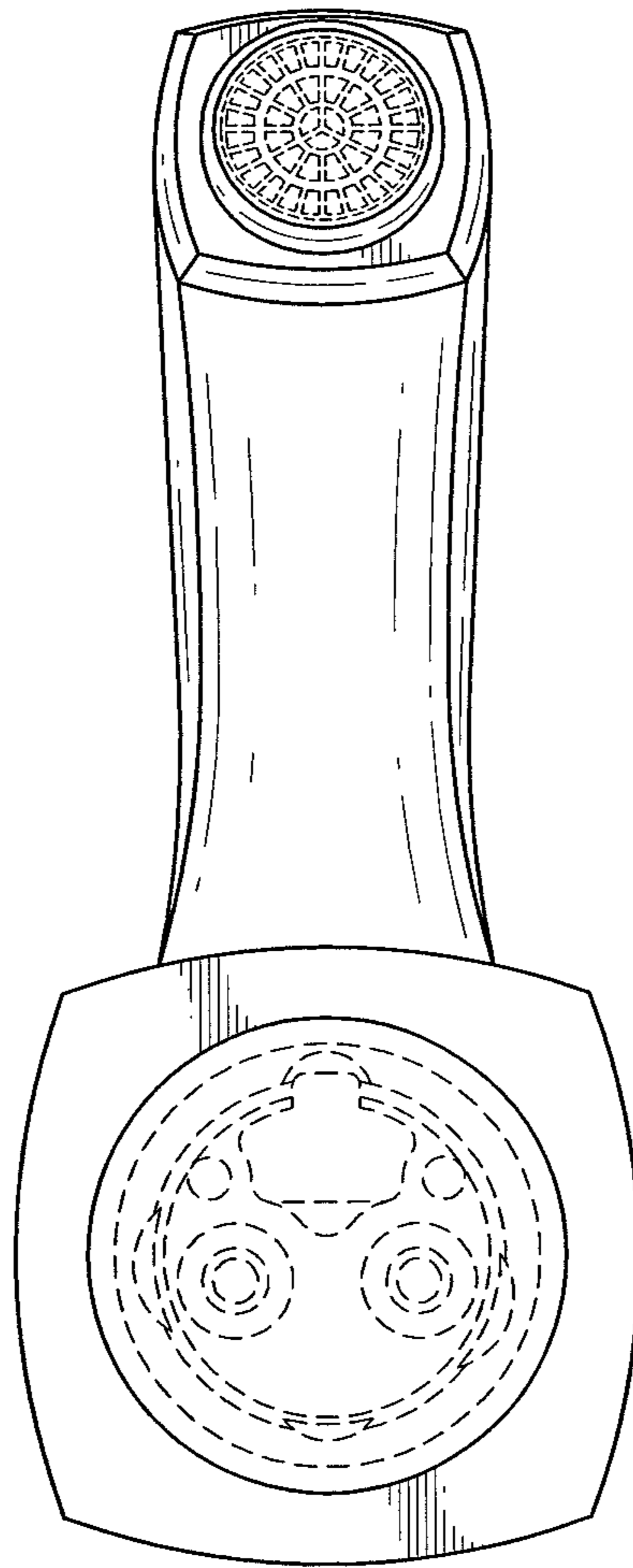


FIG.6

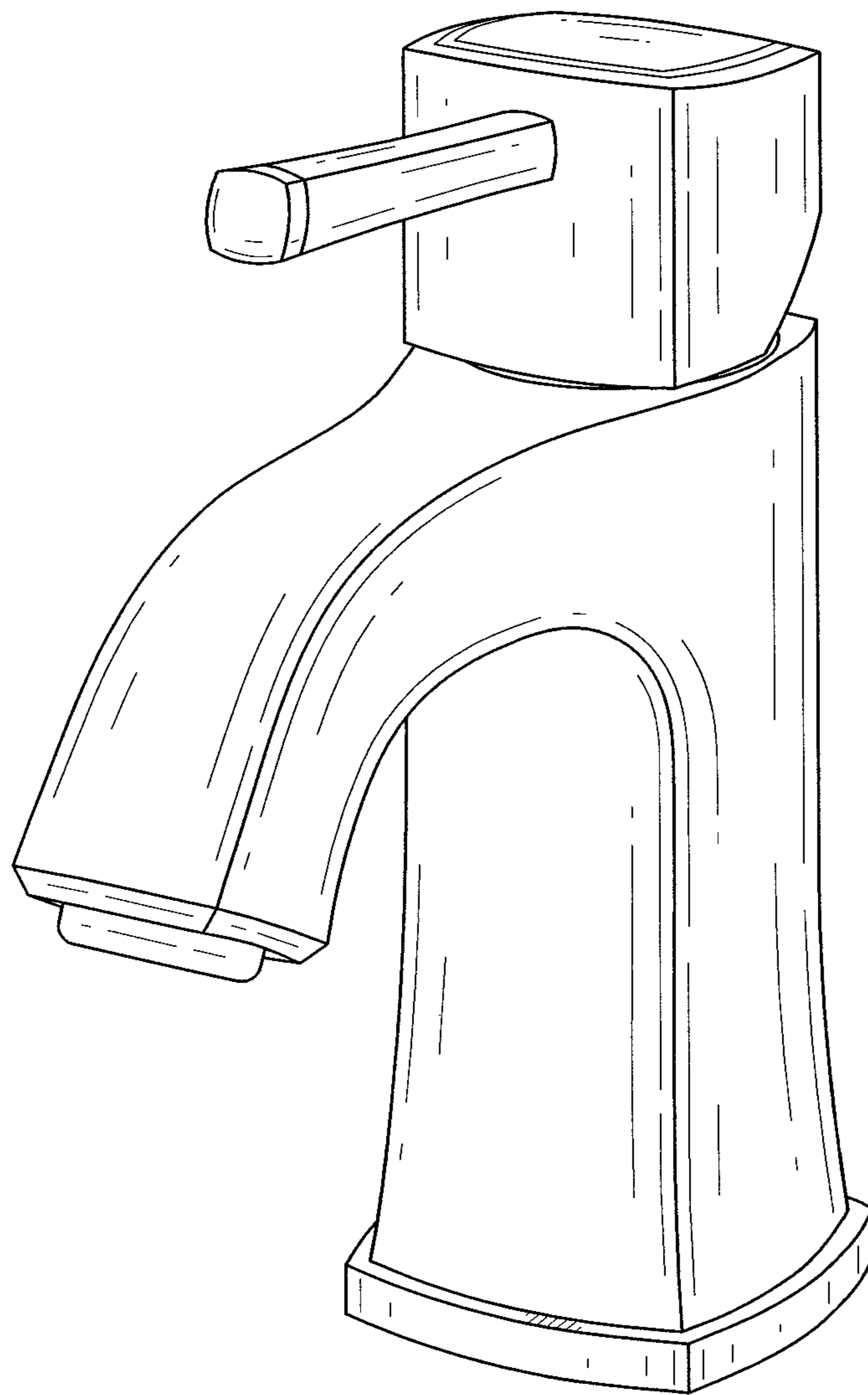


FIG.7

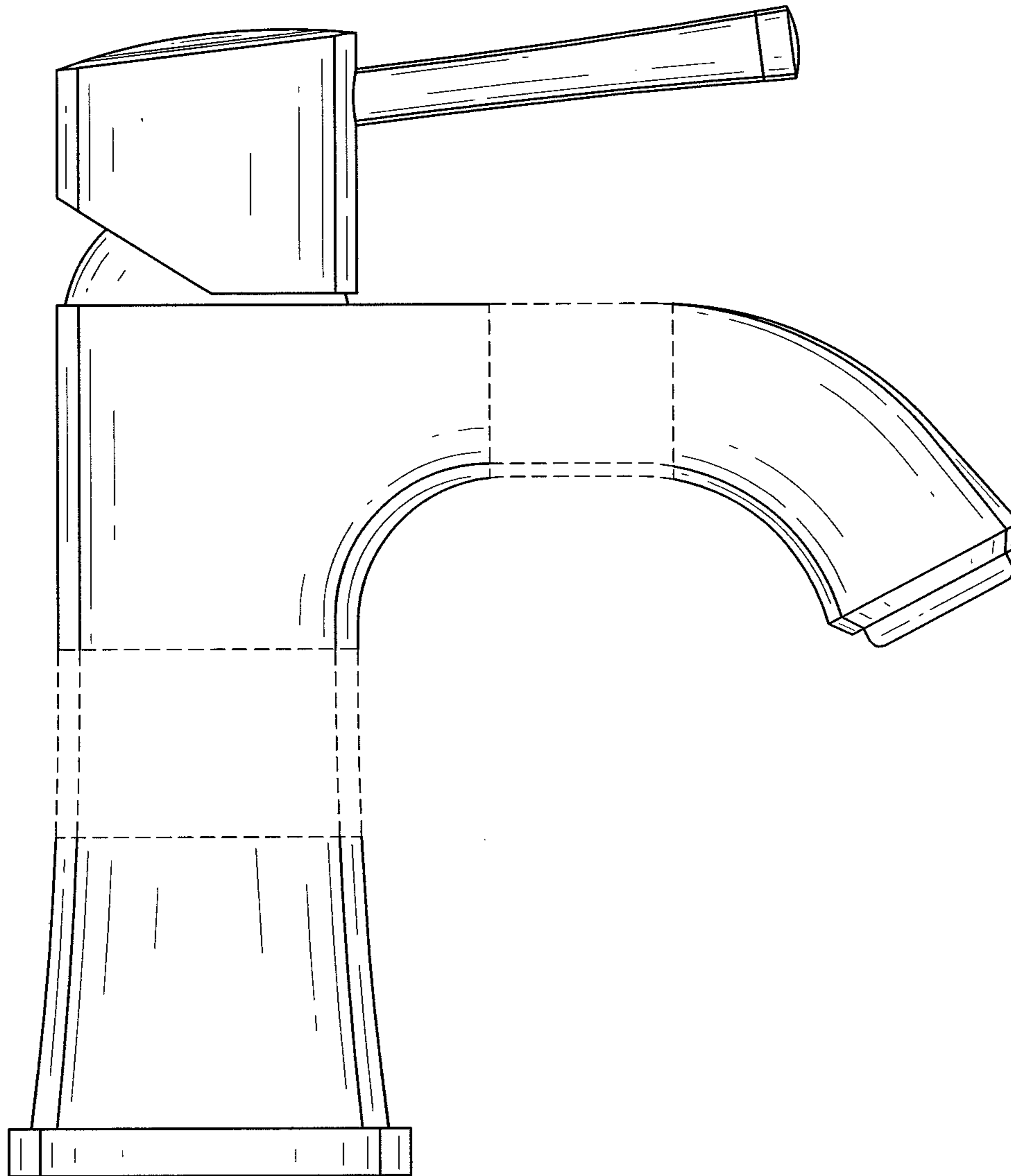


FIG.8

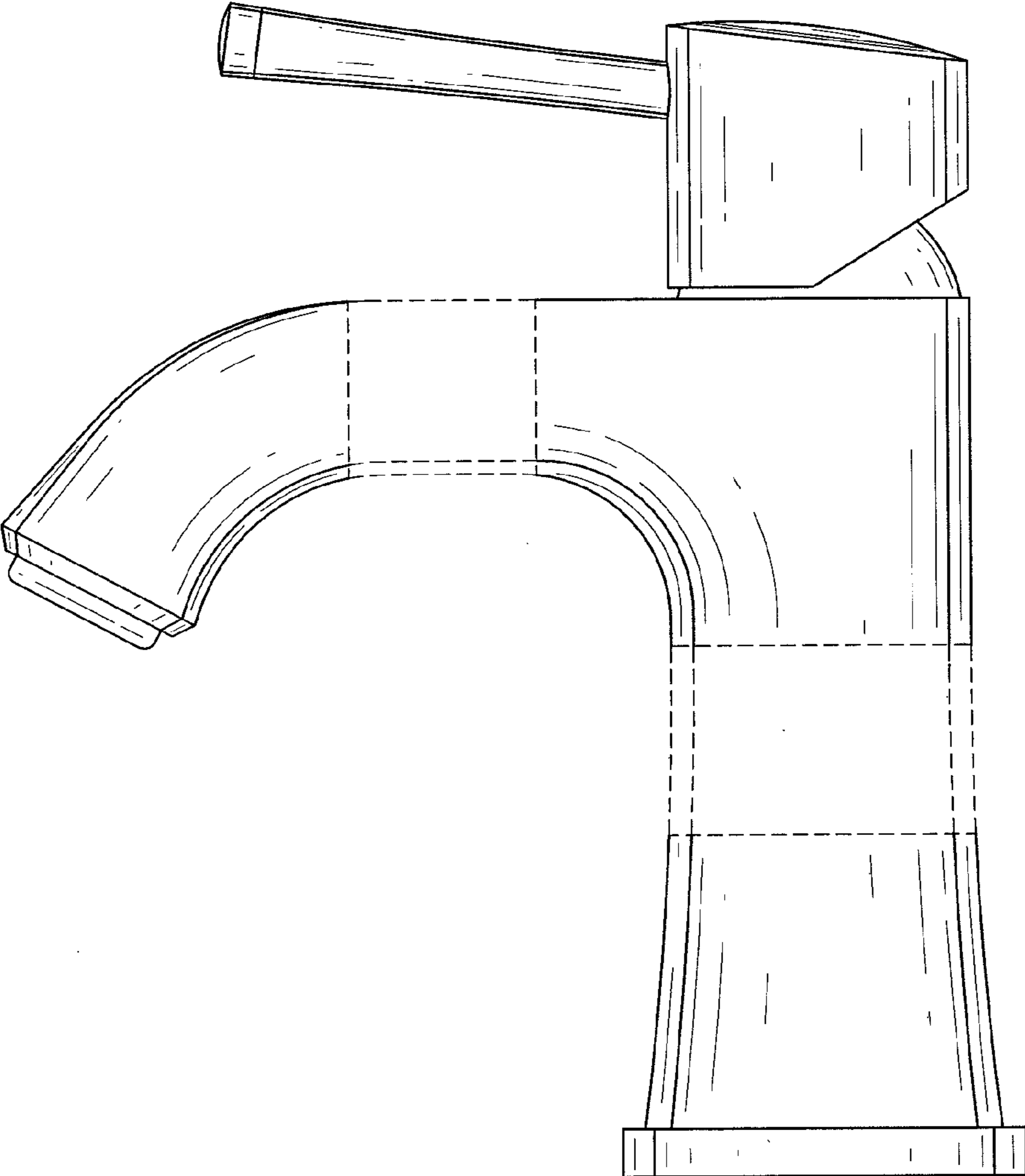


FIG.9

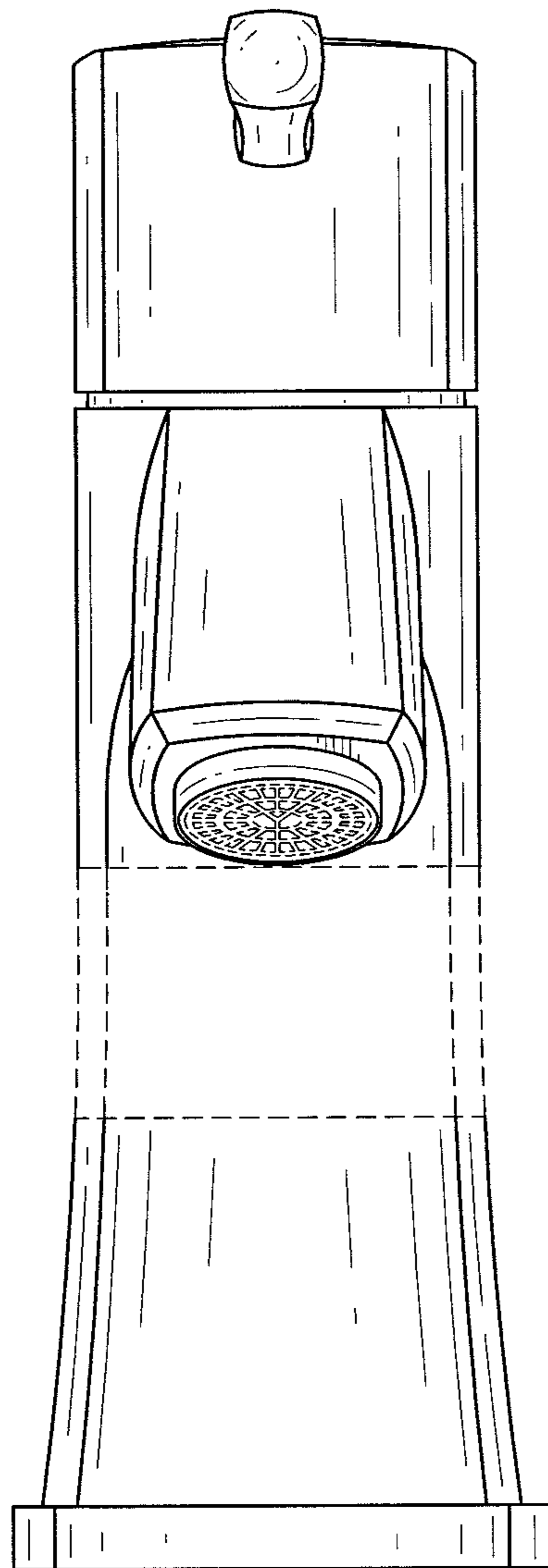


FIG.10

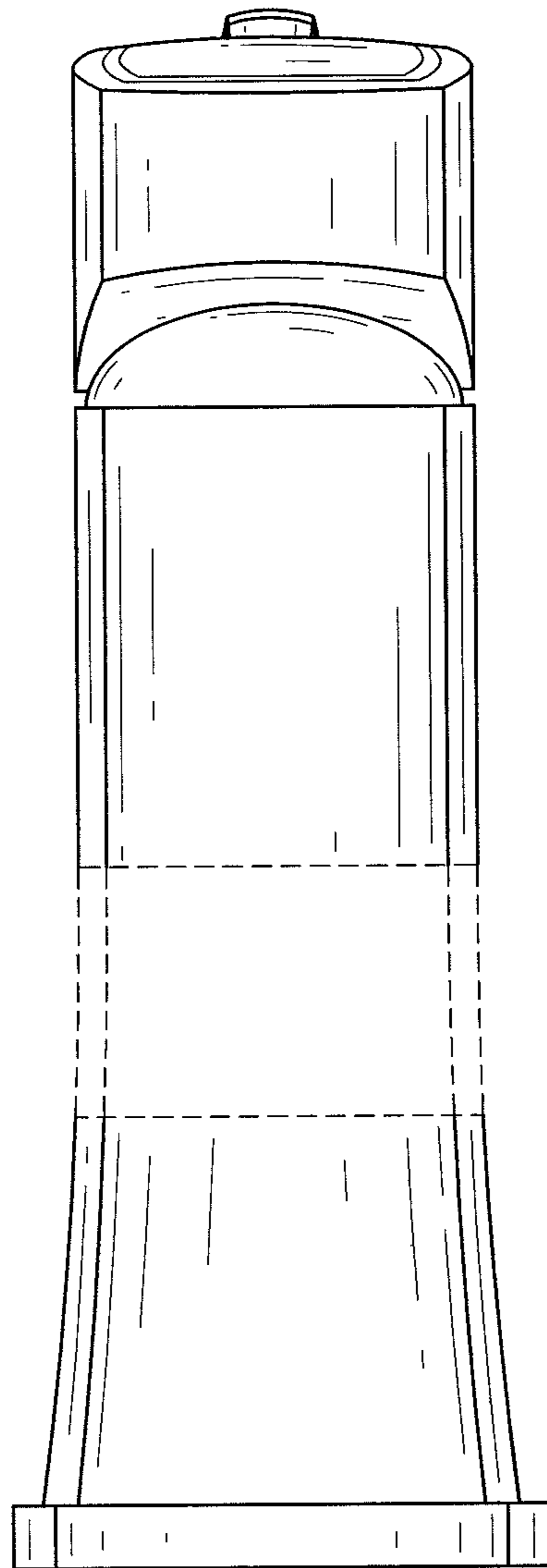


FIG.11

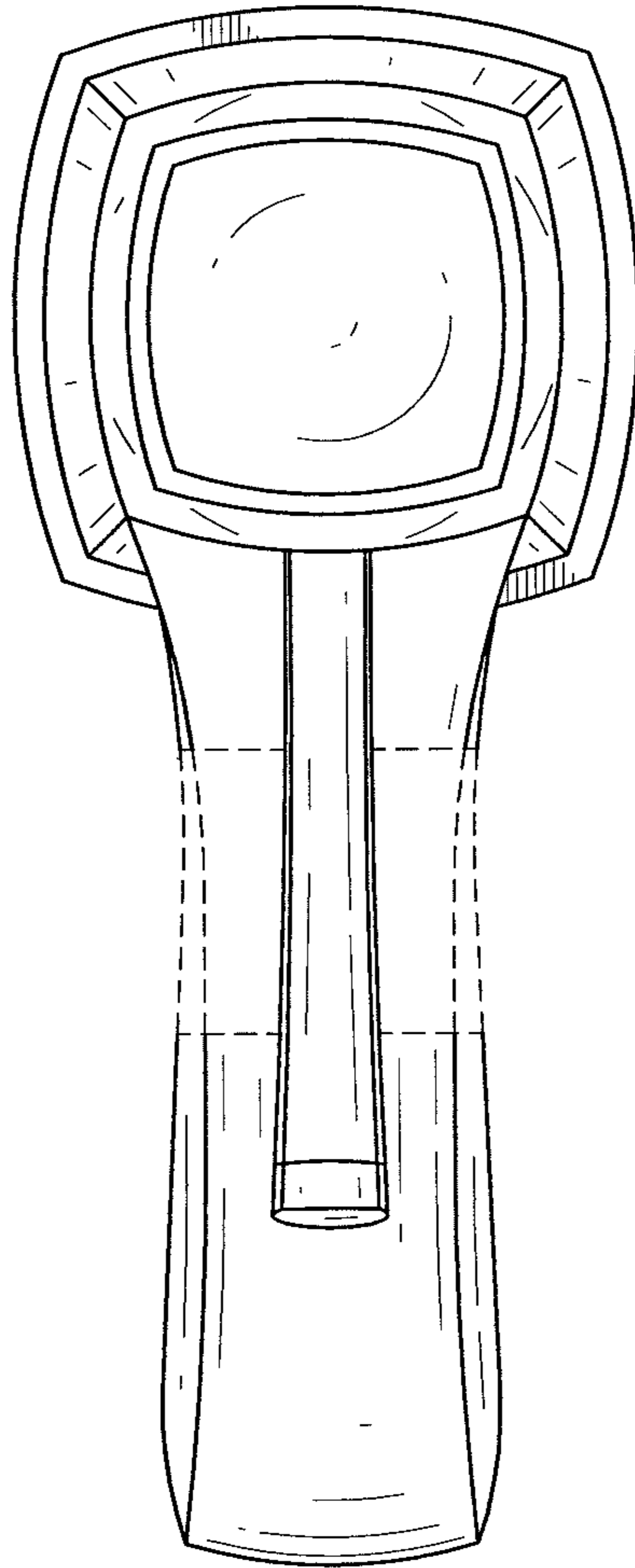


FIG.12

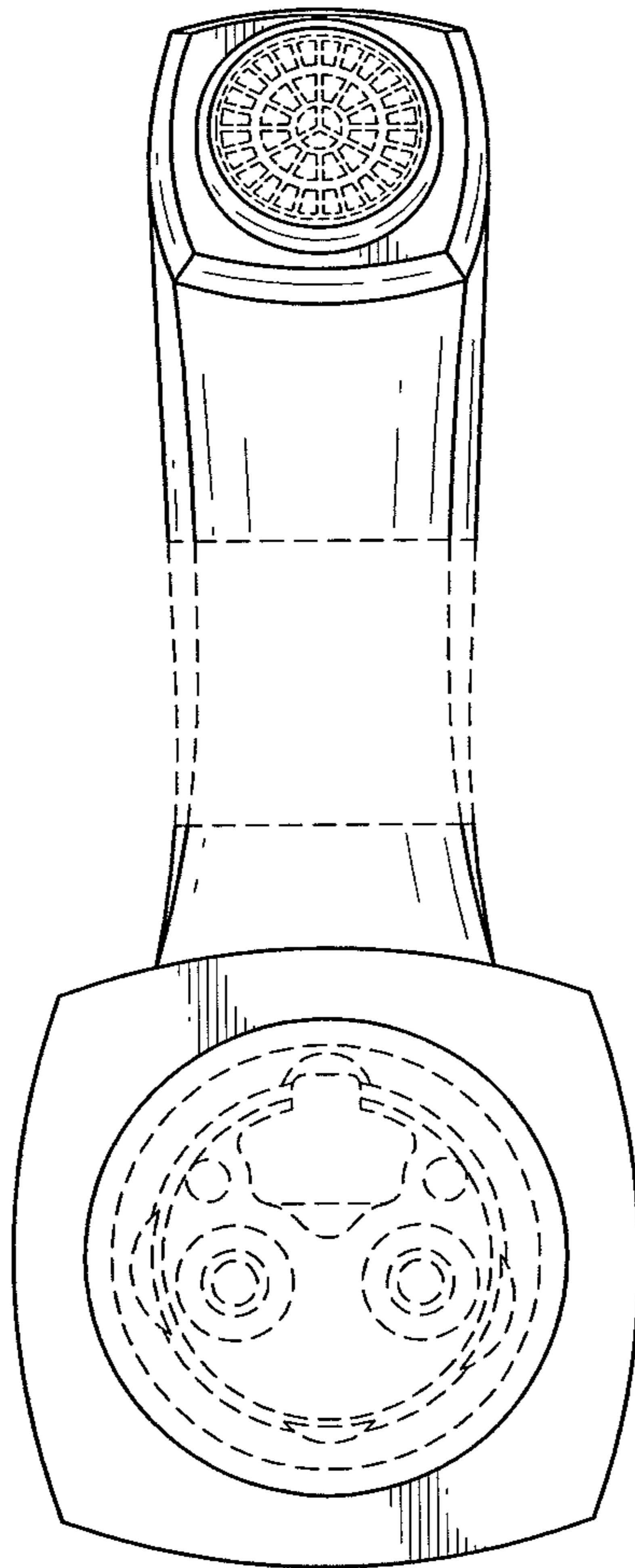


FIG.13

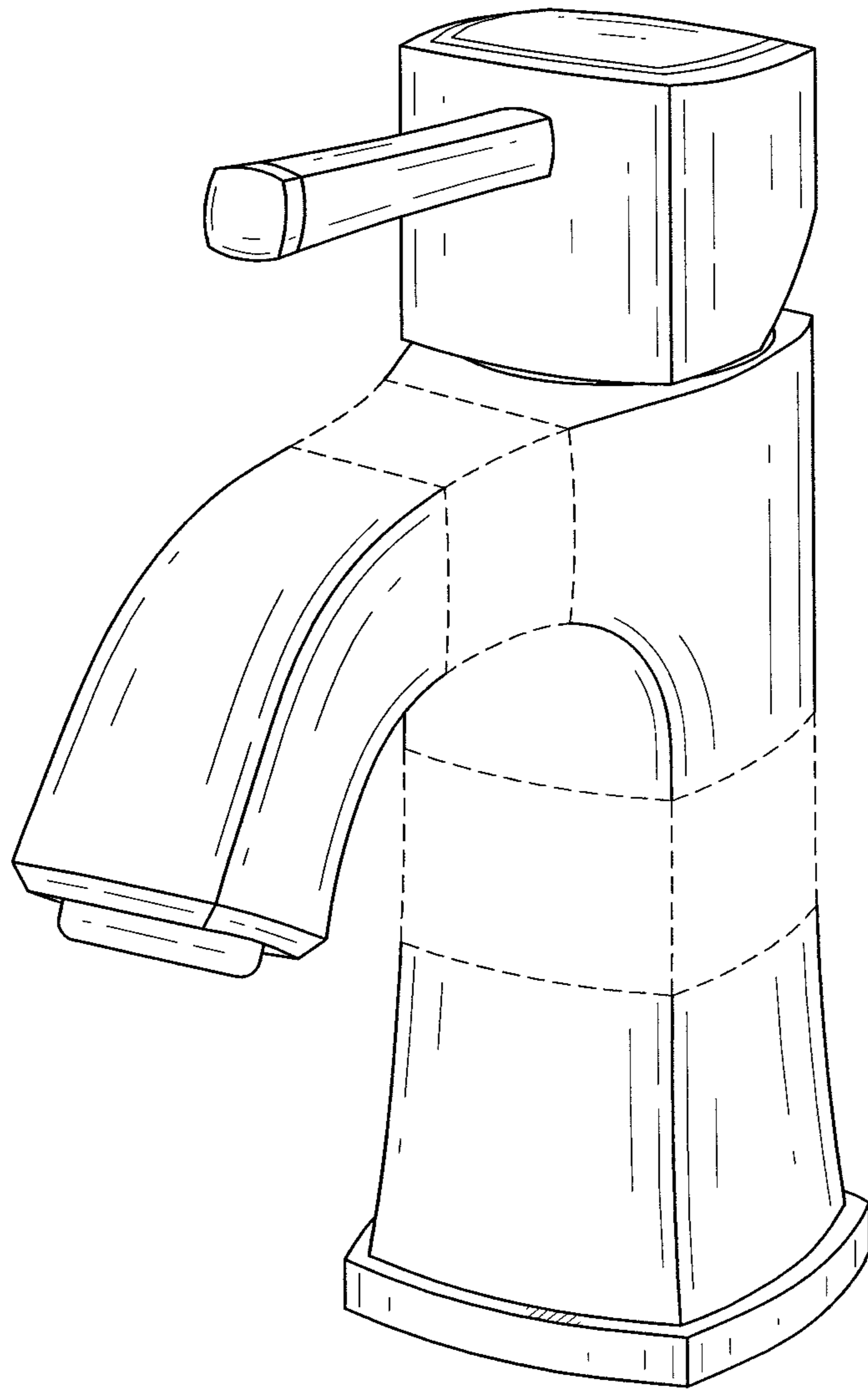


FIG. 14