

US00D692534S

(12) **United States Design Patent**  
**Fangmeier**

(10) **Patent No.:** **US D692,534 S**

(45) **Date of Patent:** **\*\* Oct. 29, 2013**

(54) **FLUID DISTRIBUTION EQUIPMENT**

(75) Inventor: **Martin Fangmeier**, Auggen (DE)

(73) Assignee: **Neoperl GmbH**, Mullheim (DE)

(\*\*) Term: **14 Years**

(21) Appl. No.: **29/427,894**

(22) Filed: **Jul. 24, 2012**

(30) **Foreign Application Priority Data**

Mar. 15, 2012 (EM) ..... 001318166

(51) **LOC (9) Cl.** ..... **23-01**

(52) **U.S. Cl.**  
USPC ..... **D23/233**

(58) **Field of Classification Search**  
USPC ..... D23/233-237, 244-249; 251/596.13,  
251/596.16, 15, 130, 219, 331, 129.04;  
D15/1, 5, 199; 137/554, 557, 560, 861,  
137/882, 884, 269, 270, 271, 343, 625.64  
See application file for complete search history.

(56) **References Cited**

**U.S. PATENT DOCUMENTS**

D355,954 S \* 2/1995 Powell ..... D23/235  
D413,374 S \* 8/1999 Tine, Jr. .... D23/233

D482,761 S \* 11/2003 Gotoh et al. .... D23/262  
D576,704 S 9/2008 Gilcher  
D594,530 S \* 6/2009 Bonnell ..... D23/233  
D595,809 S \* 7/2009 Madsen et al. .... D23/233  
D603,018 S \* 10/2009 Stein ..... D23/235  
D628,274 S \* 11/2010 Wessol et al. .... D23/233  
D633,985 S \* 3/2011 Spadotto ..... D23/233

\* cited by examiner

*Primary Examiner* — Cynthia Ramirez

(74) *Attorney, Agent, or Firm* — Volpe and Koenig, P.C.

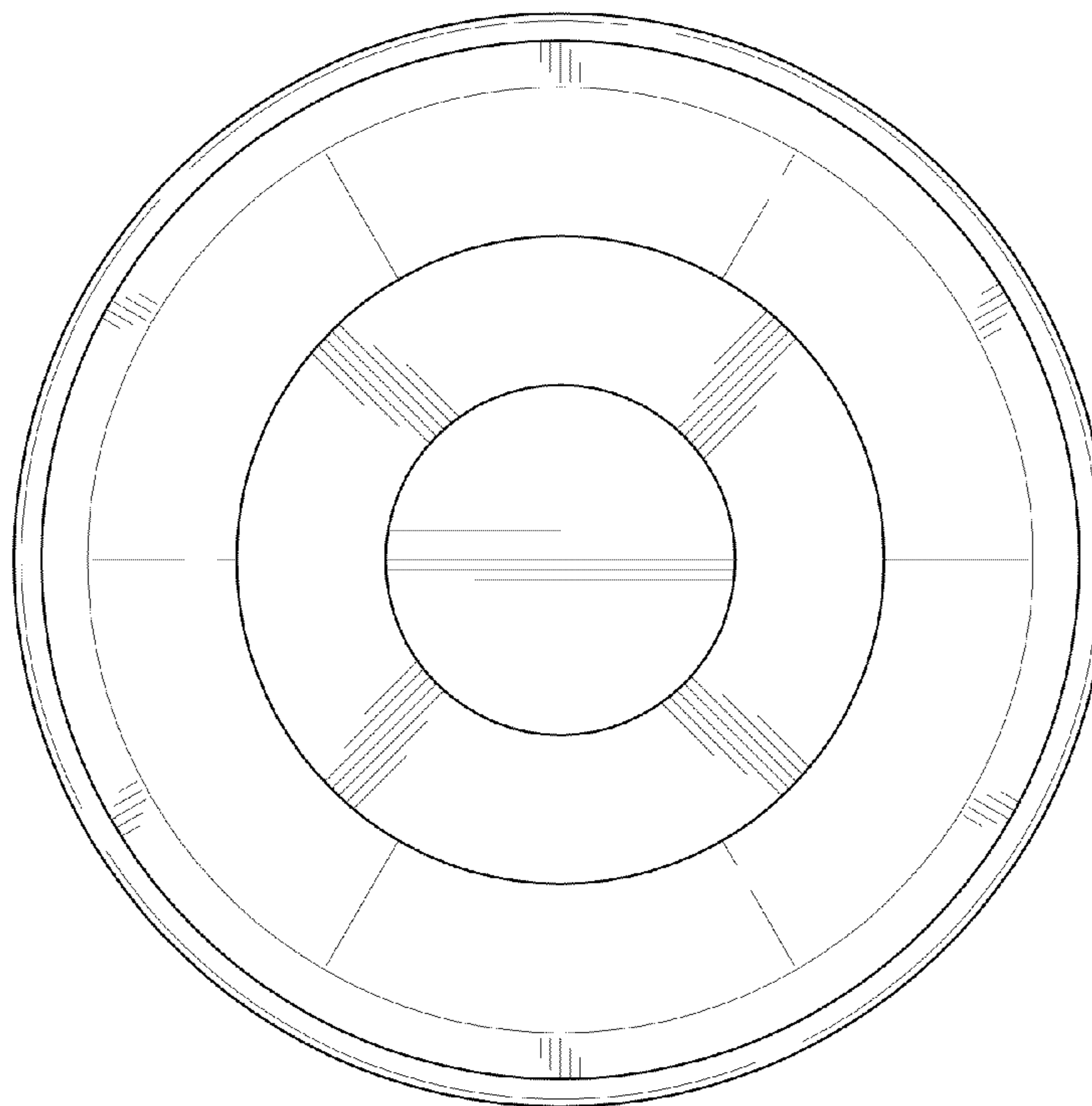
(57) **CLAIM**

The ornamental design for fluid distribution equipment, as shown and described.

**DESCRIPTION**

FIG. 1 is a top plan view of fluid distribution equipment in accordance with my design;  
FIG. 2 is a top, front, left perspective view thereof;  
FIG. 3 is a bottom view thereof;  
FIG. 4 is a bottom, right, rear perspective view thereof;  
FIG. 5 is a right side elevational view thereof;  
FIG. 6 is a front elevational view thereof;  
FIG. 7 is a left side elevational view thereof; and,  
FIG. 8 is a rear elevational view thereof.

**1 Claim, 8 Drawing Sheets**



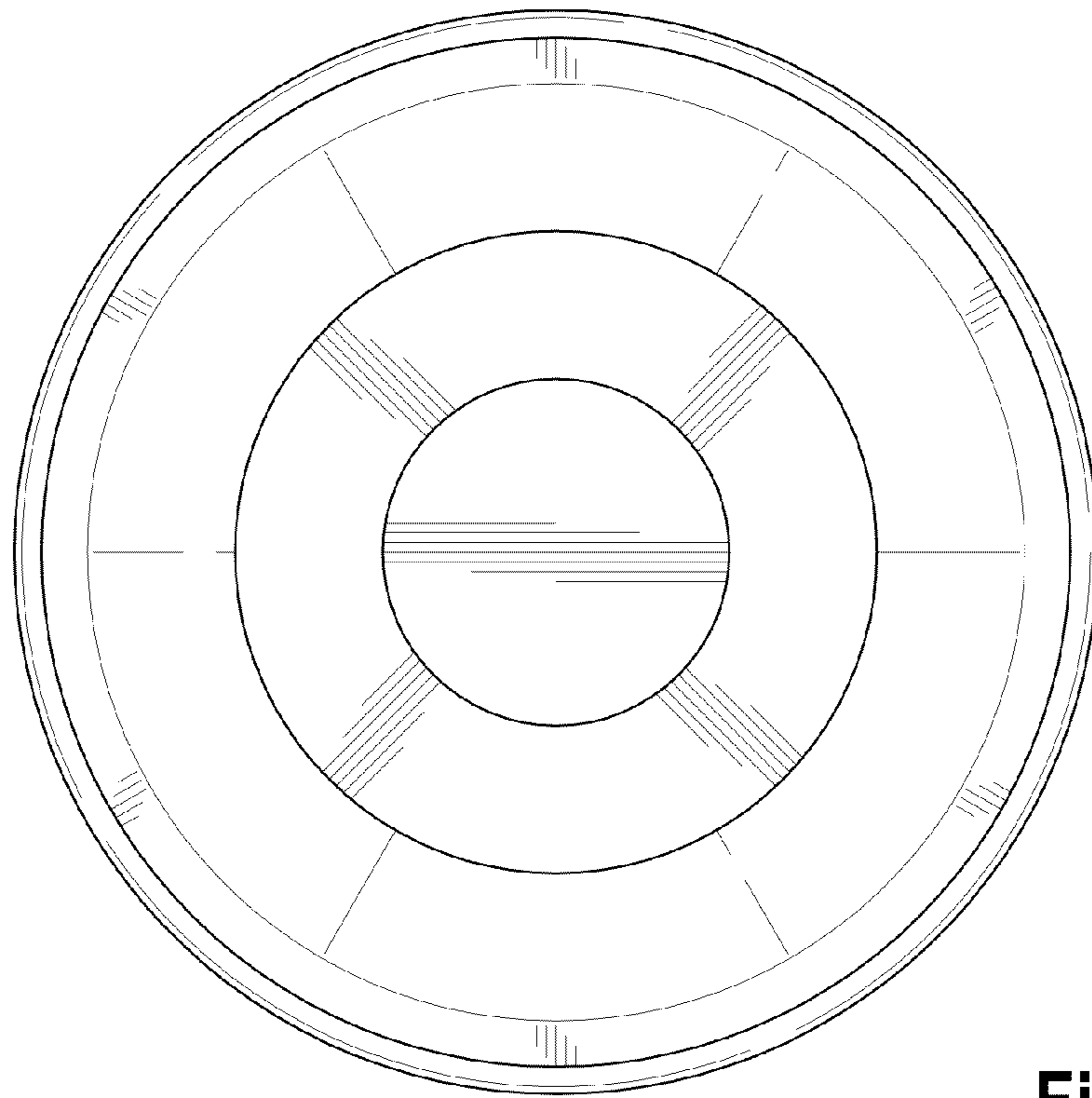


Fig. 1

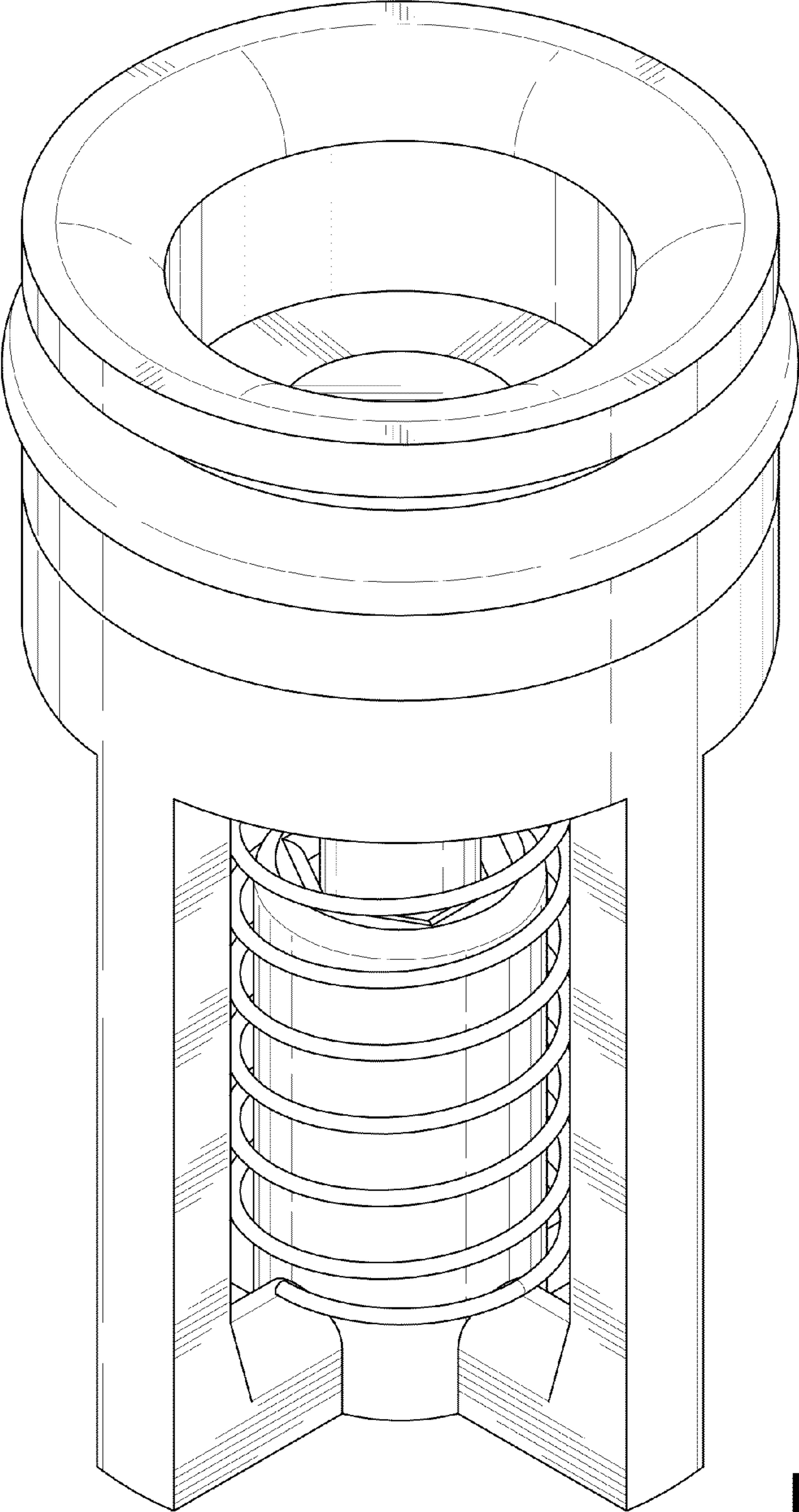


Fig. 2

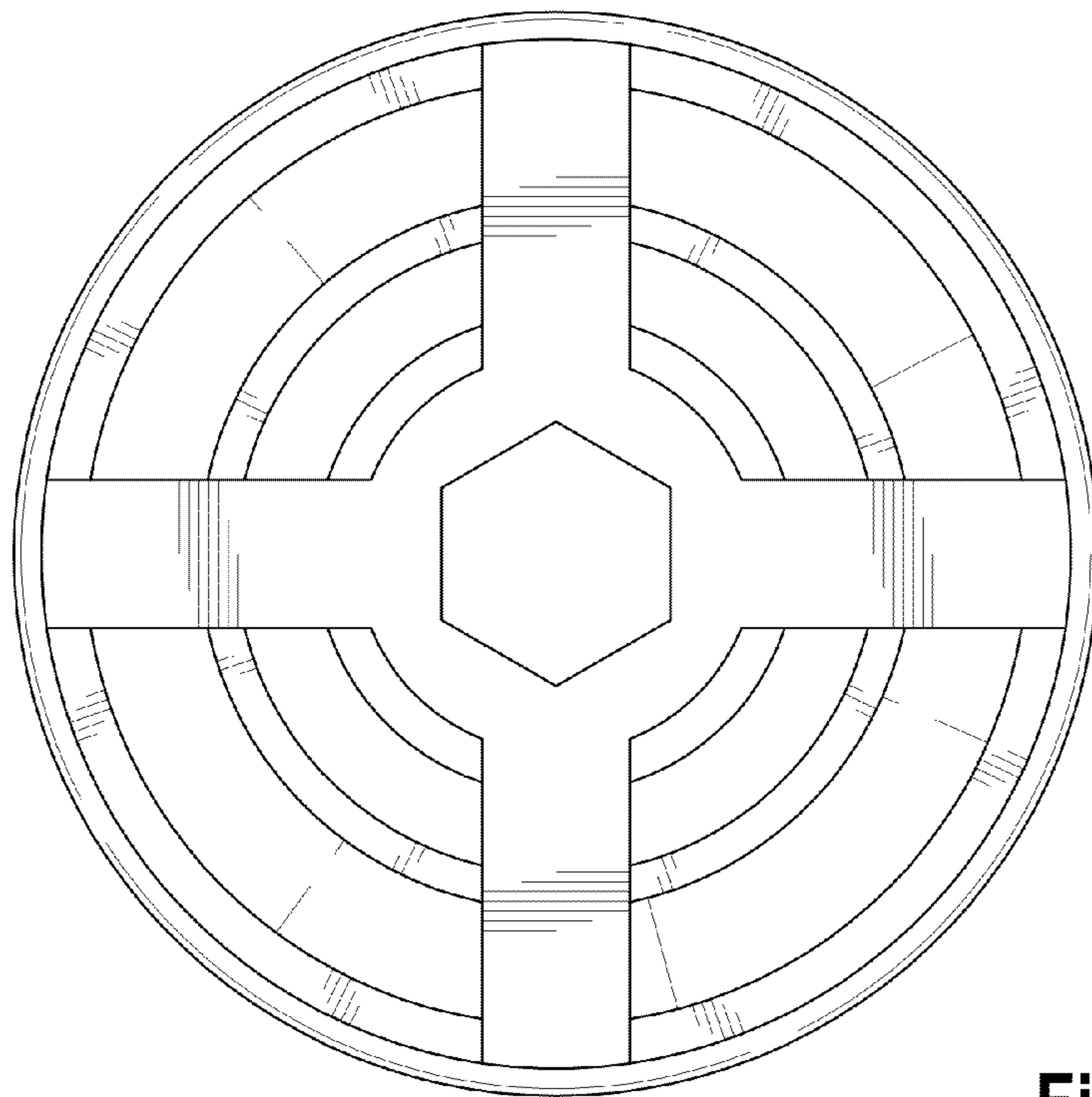


Fig. 3

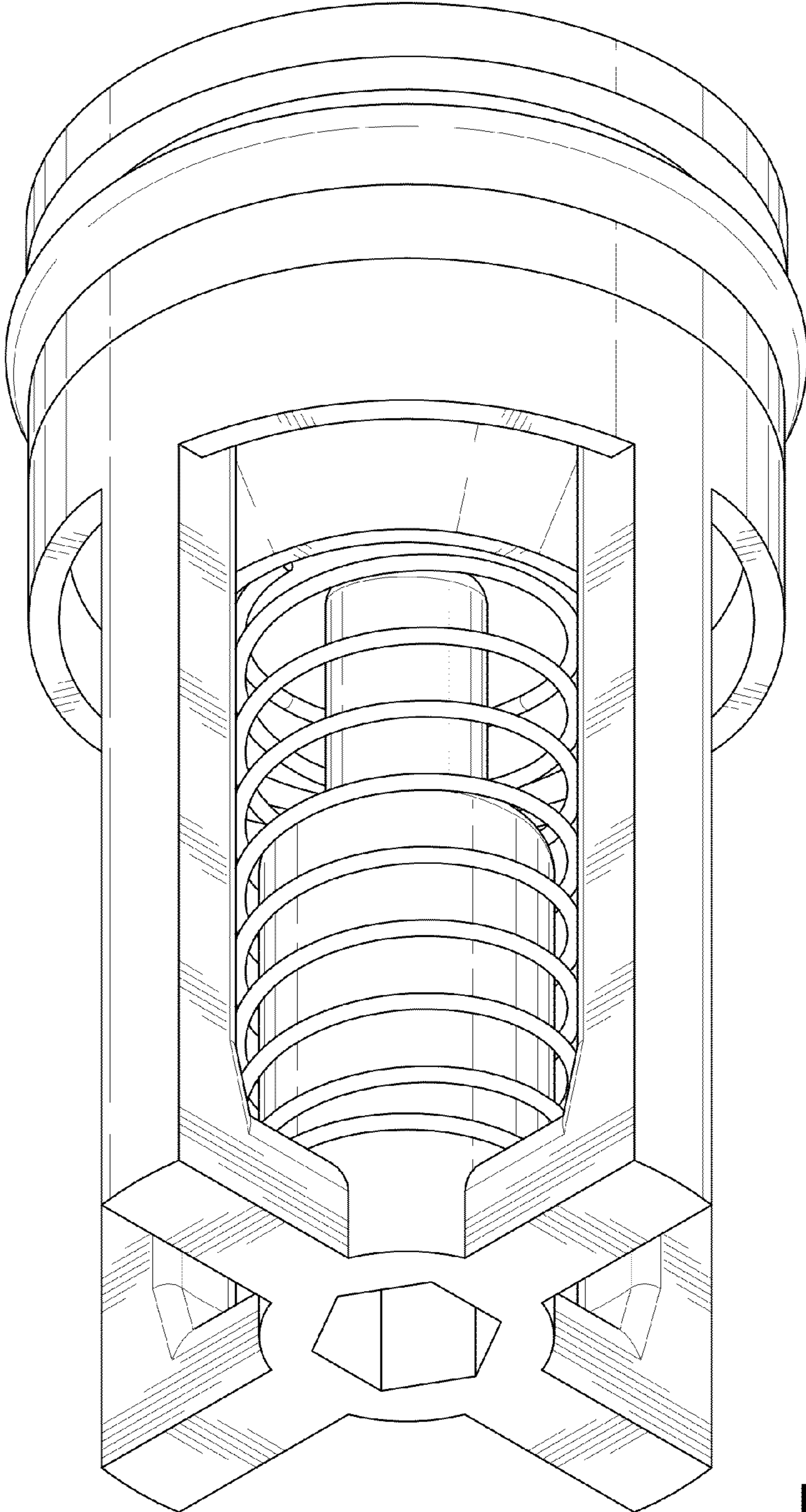


Fig. 4

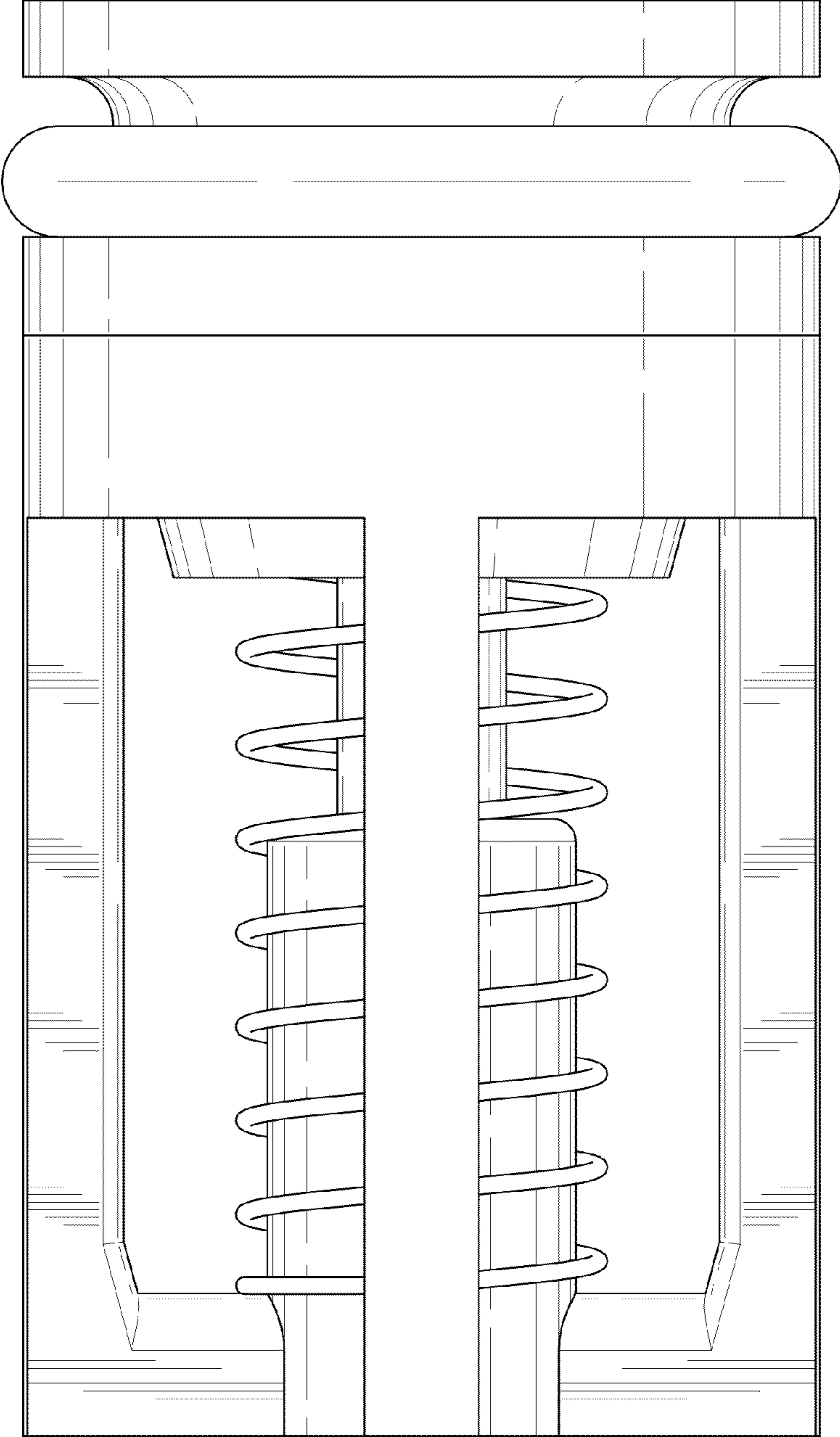


Fig. 5

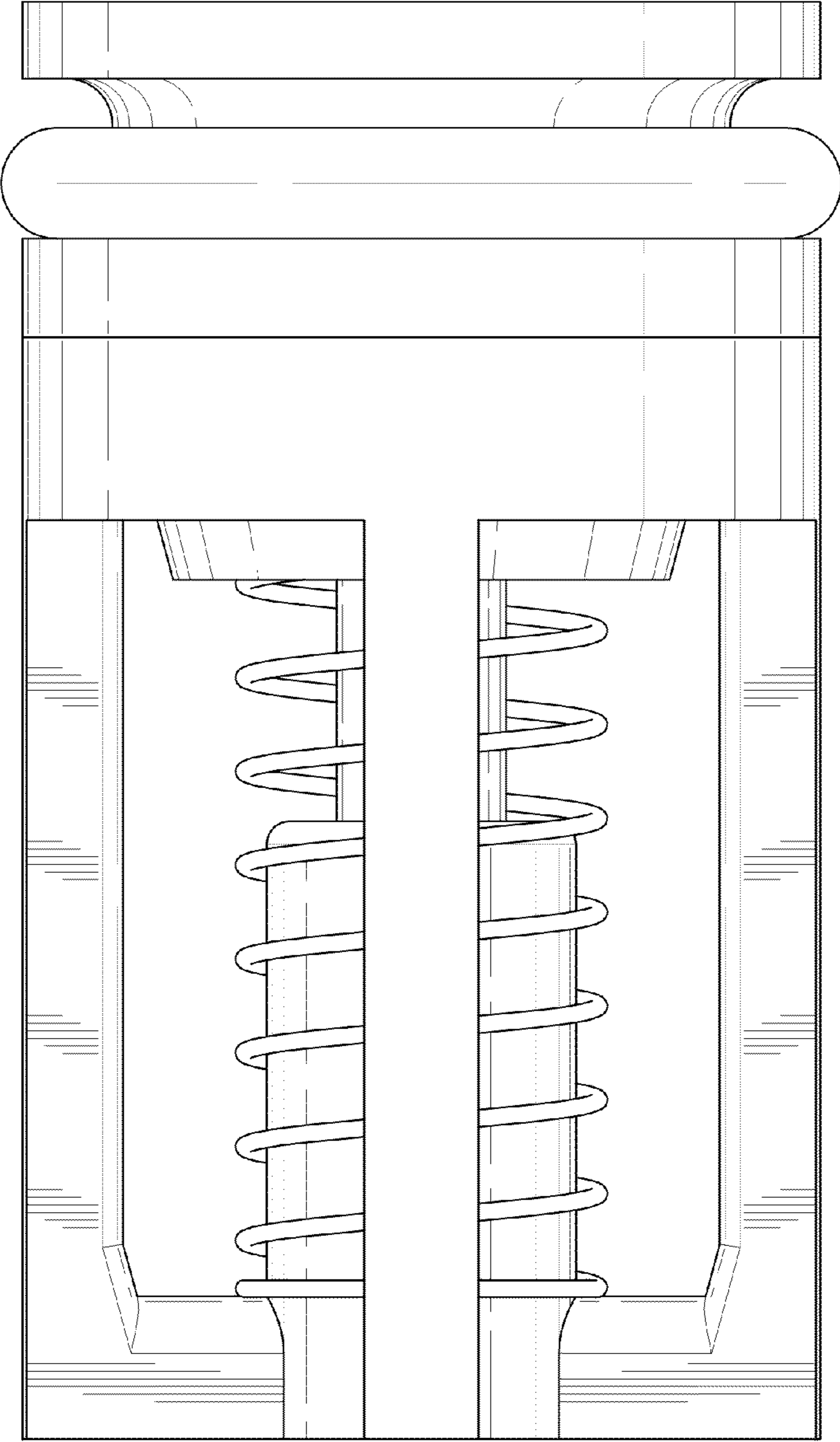


Fig. 6

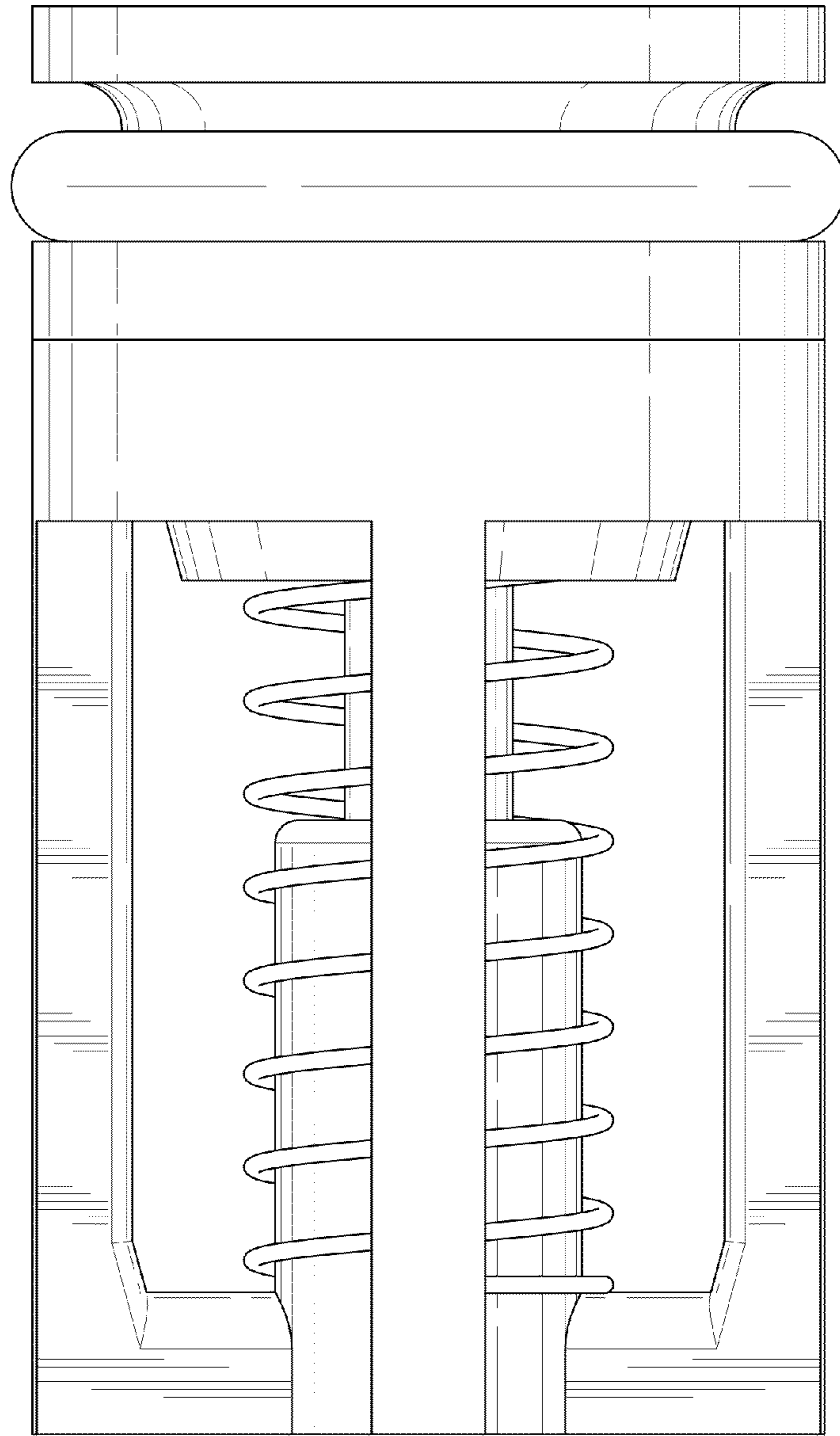


Fig. 7



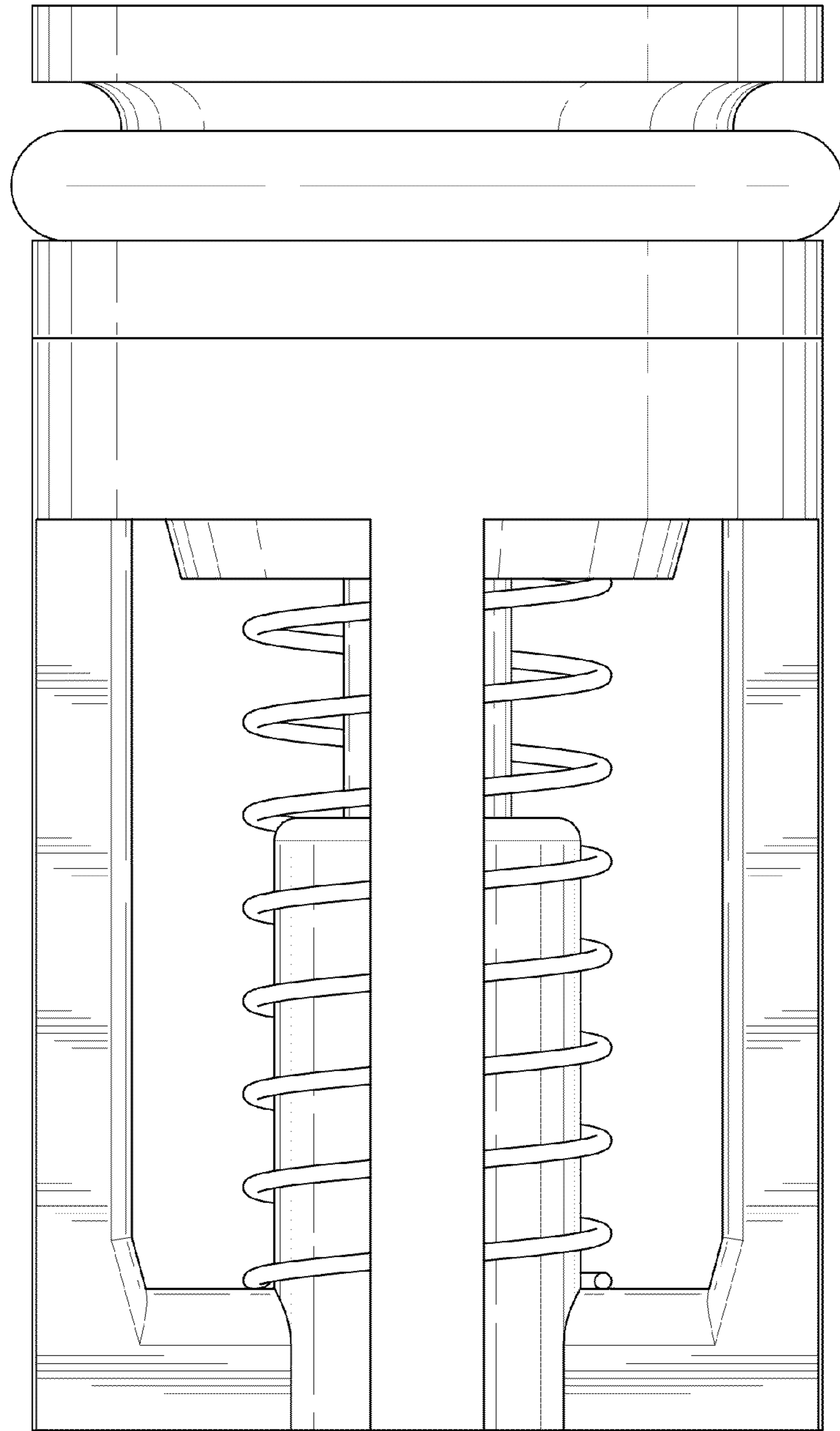


Fig. 8