

US00D692533S

(12) **United States Design Patent**
Kaneko

(10) **Patent No.:** **US D692,533 S**
(45) **Date of Patent:** **** Oct. 29, 2013**

(54) **EXPANSION VALVE**

FOREIGN PATENT DOCUMENTS

(75) Inventor: **Takeshi Kaneko**, Tokyo (JP)

JP 1238723 3/2005
JP 1386292 3/2010

(73) Assignee: **TGK Co., Ltd.**, Tokyo (JP)

OTHER PUBLICATIONS

(**) Term: **14 Years**

Kazuto Kobayashi et al., Certificate of Registration, Sep. 16, 2011, OHIM—Office for Harmonization in the Internal Market, ECD 001918814-0004.

(21) Appl. No.: **29/427,728**

(22) Filed: **Jul. 20, 2012**

* cited by examiner

(30) **Foreign Application Priority Data**

Primary Examiner — Cynthia Ramirez

Feb. 10, 2012 (JP) 2012-002810

(74) *Attorney, Agent, or Firm* — Martine Penilla Group, LLP

(51) **LOC (9) Cl.** **23-01**

(52) **U.S. Cl.**

(57) **CLAIM**

USPC **D23/233**

The ornamental design for an expansion valve, as shown and described.

(58) **Field of Classification Search**

USPC D23/233–237, 244–249; 62/222–225,
62/197, 115, 504, 527, 210; 137/625.48;
251/14, 64; 236/63, 64, 66, 92 B;
285/189, 208, 211, 368

DESCRIPTION

See application file for complete search history.

FIG. 1 is a front view of an expansion valve showing our new design;

(56) **References Cited**

U.S. PATENT DOCUMENTS

4,468,054 A * 8/1984 Orth 285/124.3
D546,921 S * 7/2007 Kobayashi et al. D23/233
D602,560 S * 10/2009 Shimura et al. D23/233
D611,123 S * 3/2010 Matsumoto D23/233
D621,475 S * 8/2010 Matsumoto D23/233
D648,000 S * 11/2011 Shimura et al. D23/233
D648,419 S * 11/2011 Shimura et al. D23/233
D649,222 S * 11/2011 Kobayashi et al. D23/233

FIG. 2 is a rear view thereof;

FIG. 3 is a top view thereof;

FIG. 4 is a bottom view thereof;

FIG. 5 is a left side view thereof;

FIG. 6 is a right side view thereof;

FIG. 7 is a front perspective view thereof; and,

FIG. 8 is a rear perspective view thereof.

The broken lines are for the purpose of illustrating portions of the expansion valve and form no part of the claimed design.

1 Claim, 8 Drawing Sheets

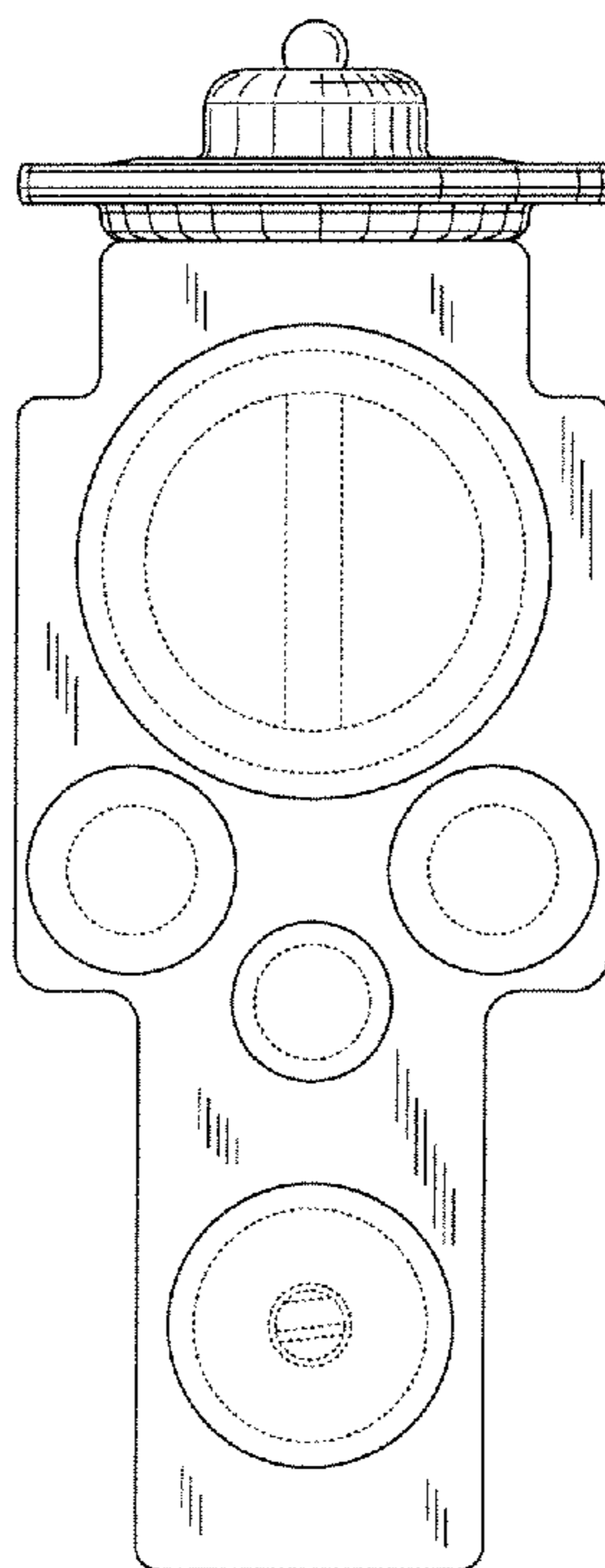


FIG. 1

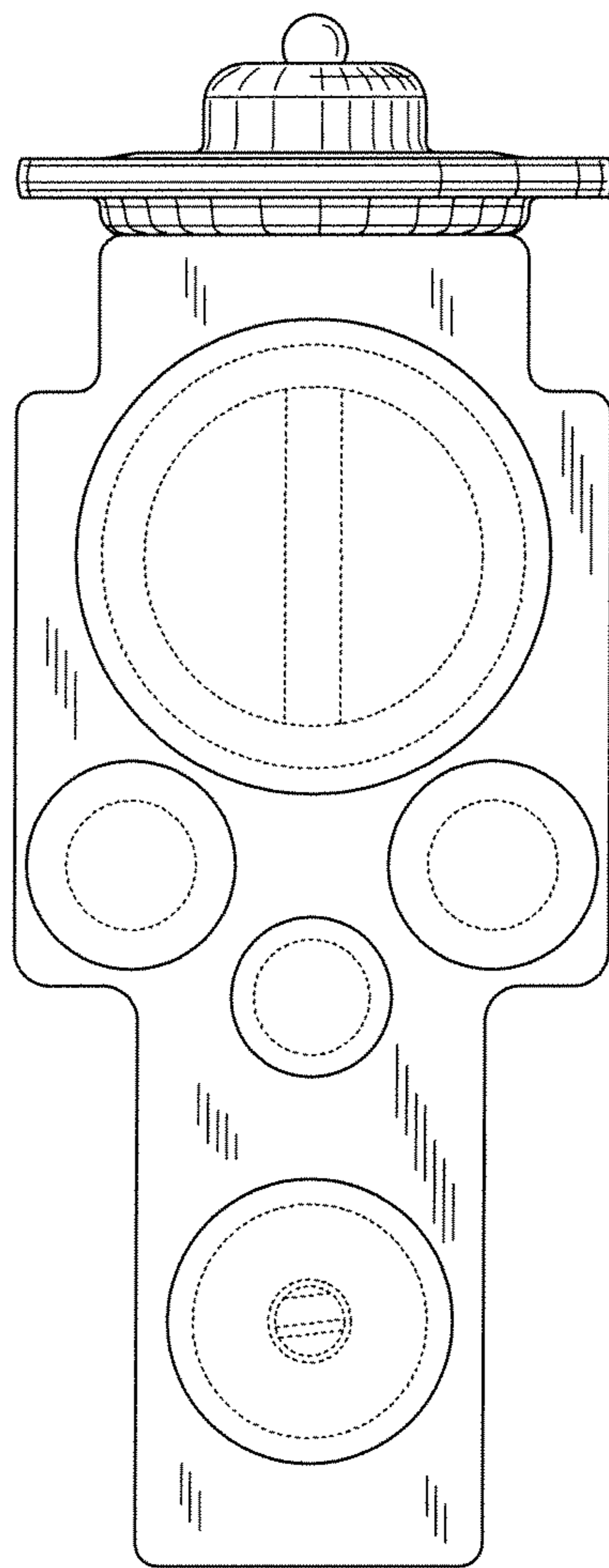


FIG. 2

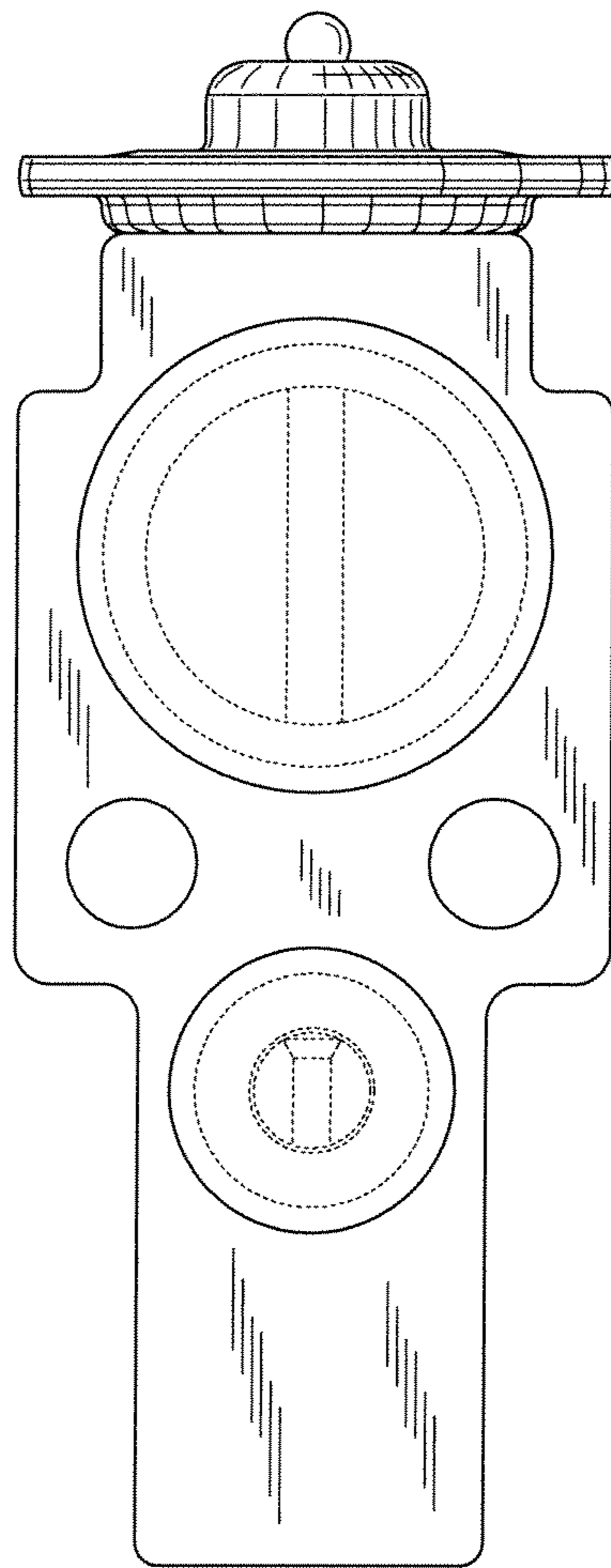


FIG. 3

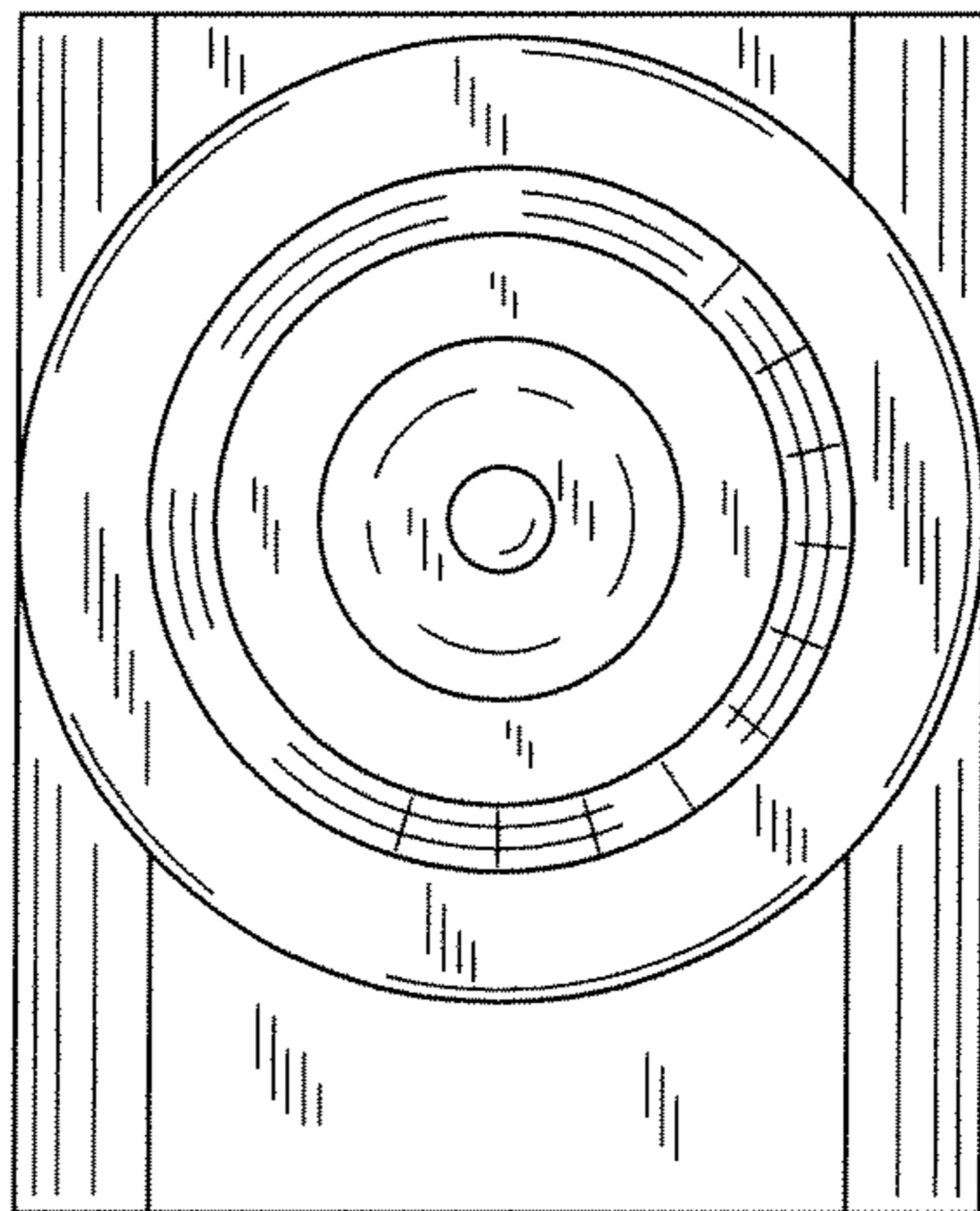


FIG. 4

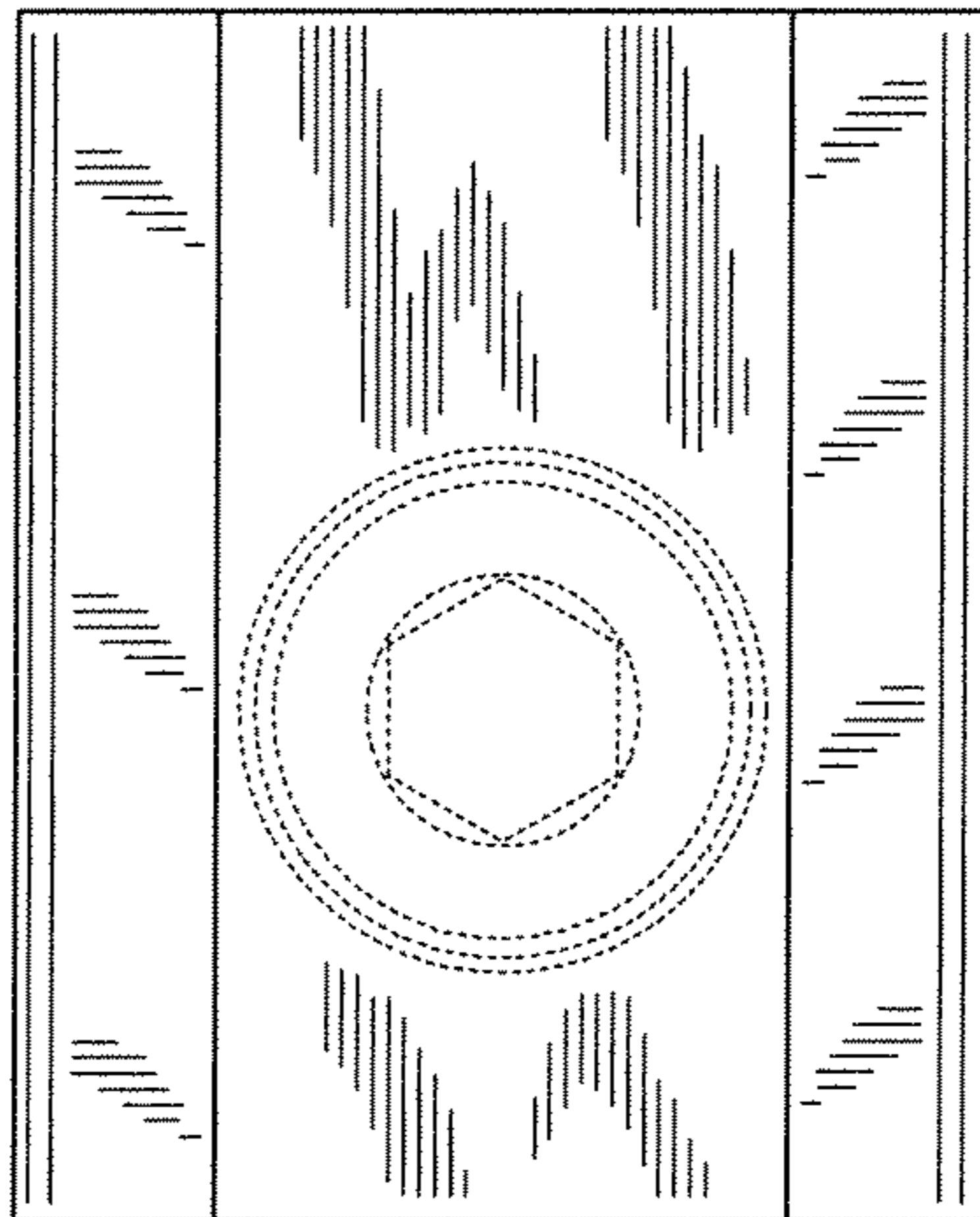


FIG. 5

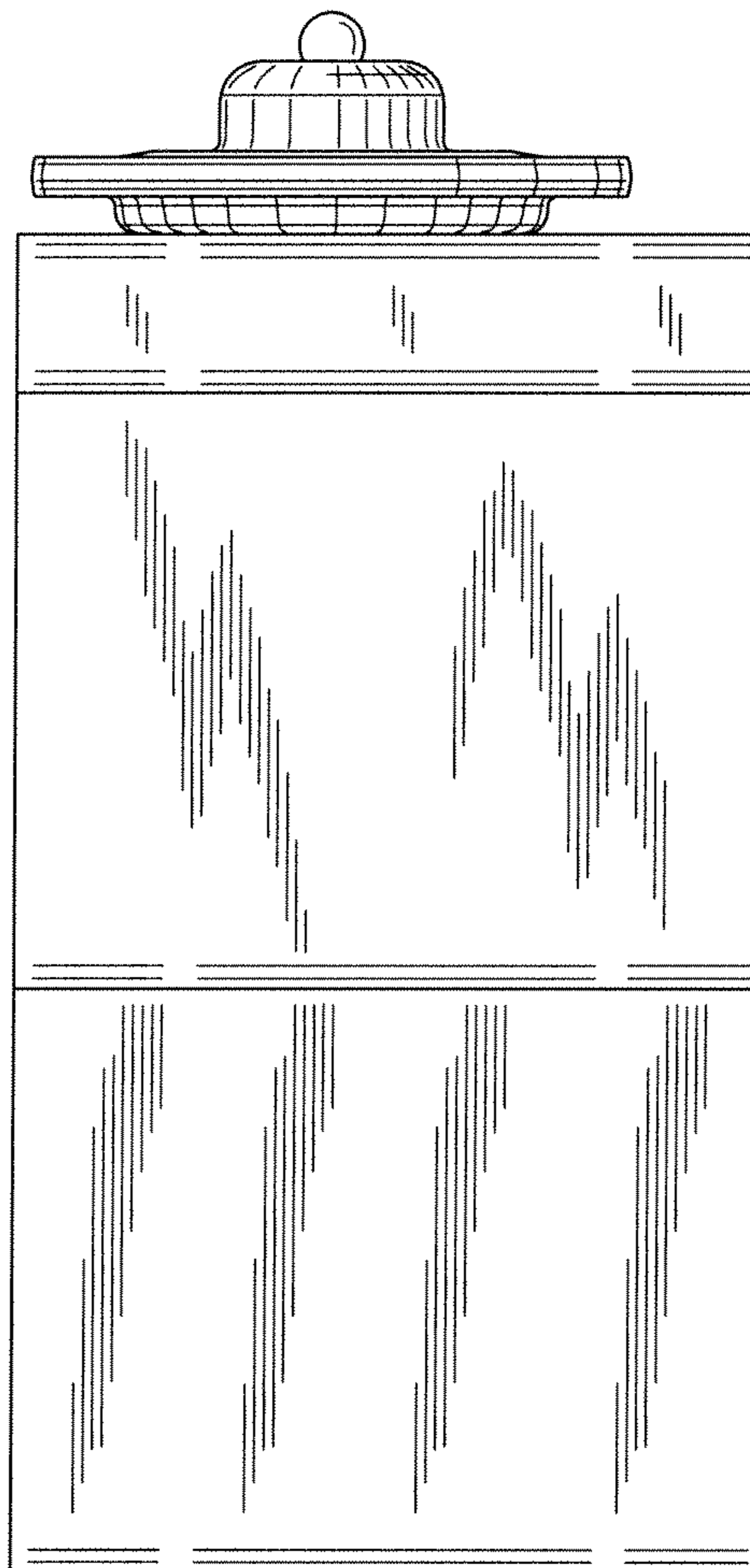


FIG. 6

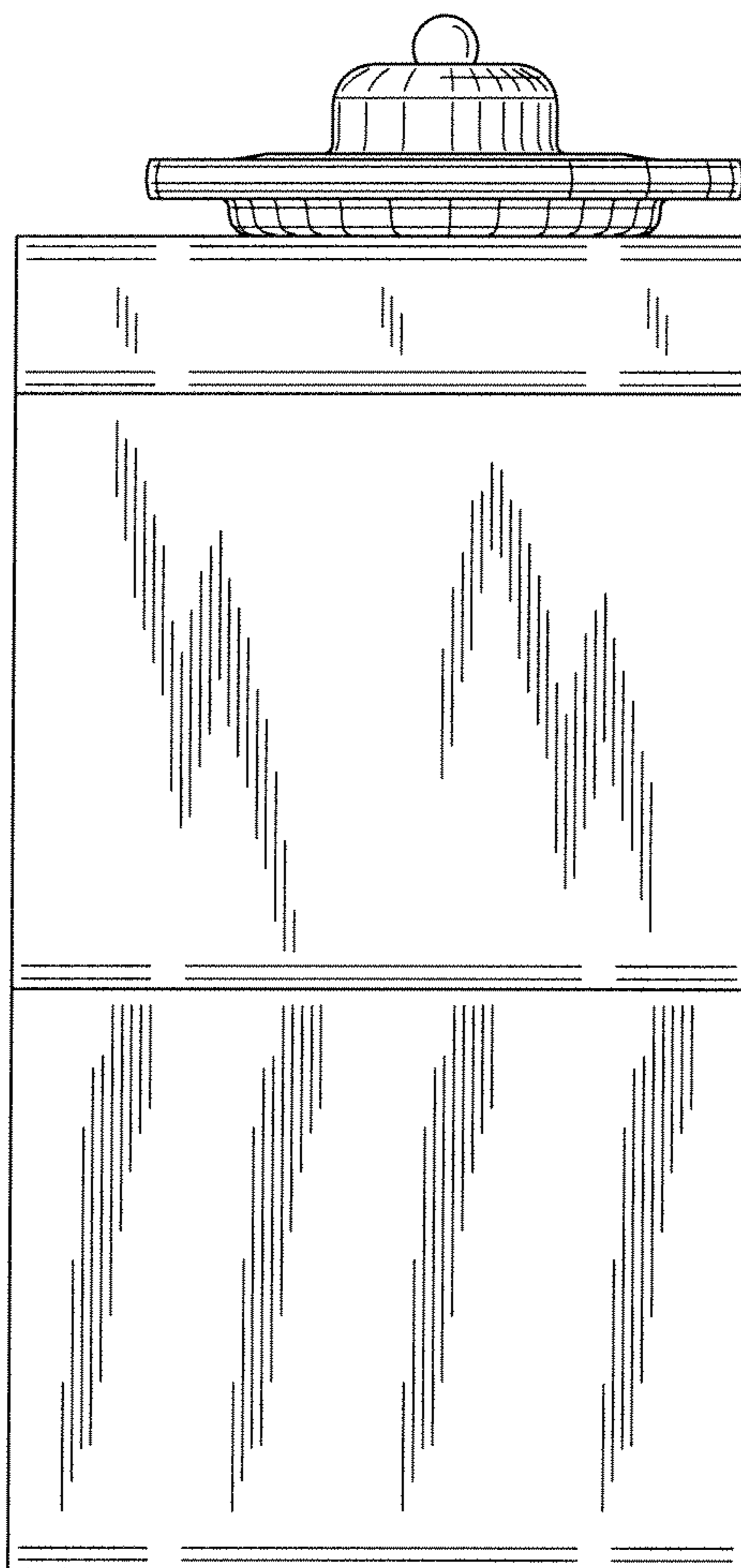


FIG. 7

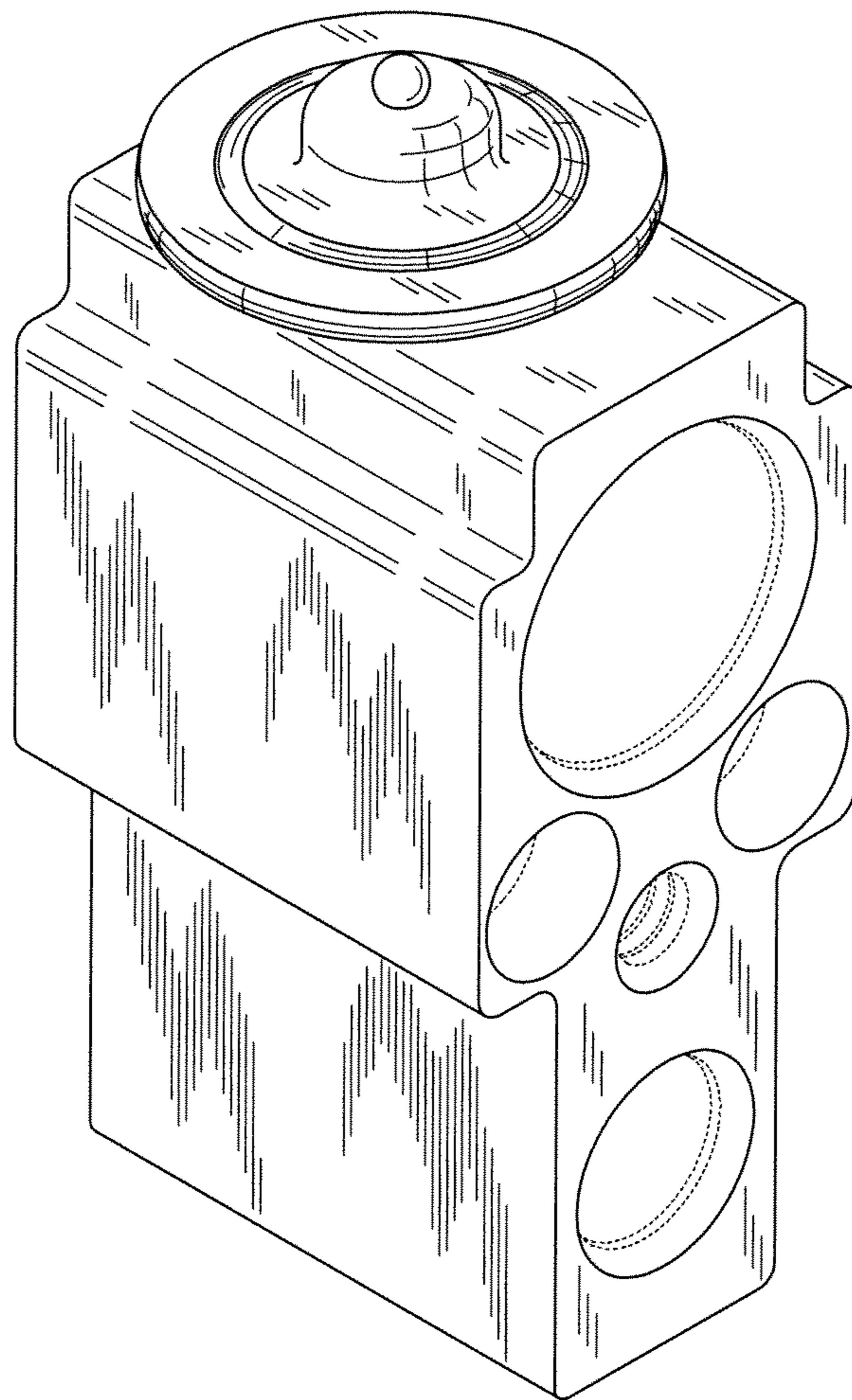


FIG. 8

