

US00D692532S

(12) **United States Design Patent**
Li et al.

(10) **Patent No.:** **US D692,532 S**
(45) **Date of Patent:** **** Oct. 29, 2013**

(54) **SPRAY GUN**

(71) Applicants: **Xiao-Rong Li**, Taizhou (CN);
Xu-Cheng Fang, Taizhou (CN)

(72) Inventors: **Xiao-Rong Li**, Taizhou (CN);
Xu-Cheng Fang, Taizhou (CN)

(**) Term: **14 Years**

(21) Appl. No.: **29/439,043**

(22) Filed: **Dec. 5, 2012**

(30) **Foreign Application Priority Data**

Oct. 16, 2012 (CN) 2012 3 0492701

(51) **LOC (9) Cl.** **23-01**

(52) **U.S. Cl.**
USPC **D23/226; D23/225**

(58) **Field of Classification Search**
USPC D23/213, 223, 225, 226; 239/690, 691,
239/690.1, 291, 332, DIG. 14, 346, 379,
239/302

See application file for complete search history.

(56) **References Cited**

U.S. PATENT DOCUMENTS

D220,179 S * 3/1971 Farusteiner D23/225
5,533,674 A * 7/1996 Feyrer et al. 239/288.5
7,232,077 B2 * 6/2007 Turnbull 239/1

* cited by examiner

Primary Examiner — Robin V Webster

(74) *Attorney, Agent, or Firm* — Xiao-Rong Li

(57) **CLAIM**

The ornamental design for a spray gun, as shown and described.

DESCRIPTION

FIG. 1 is an external view of a spray gun showing our new design;

FIG. 2 is a front elevational view thereof;

FIG. 3 is a rear elevational view thereof;

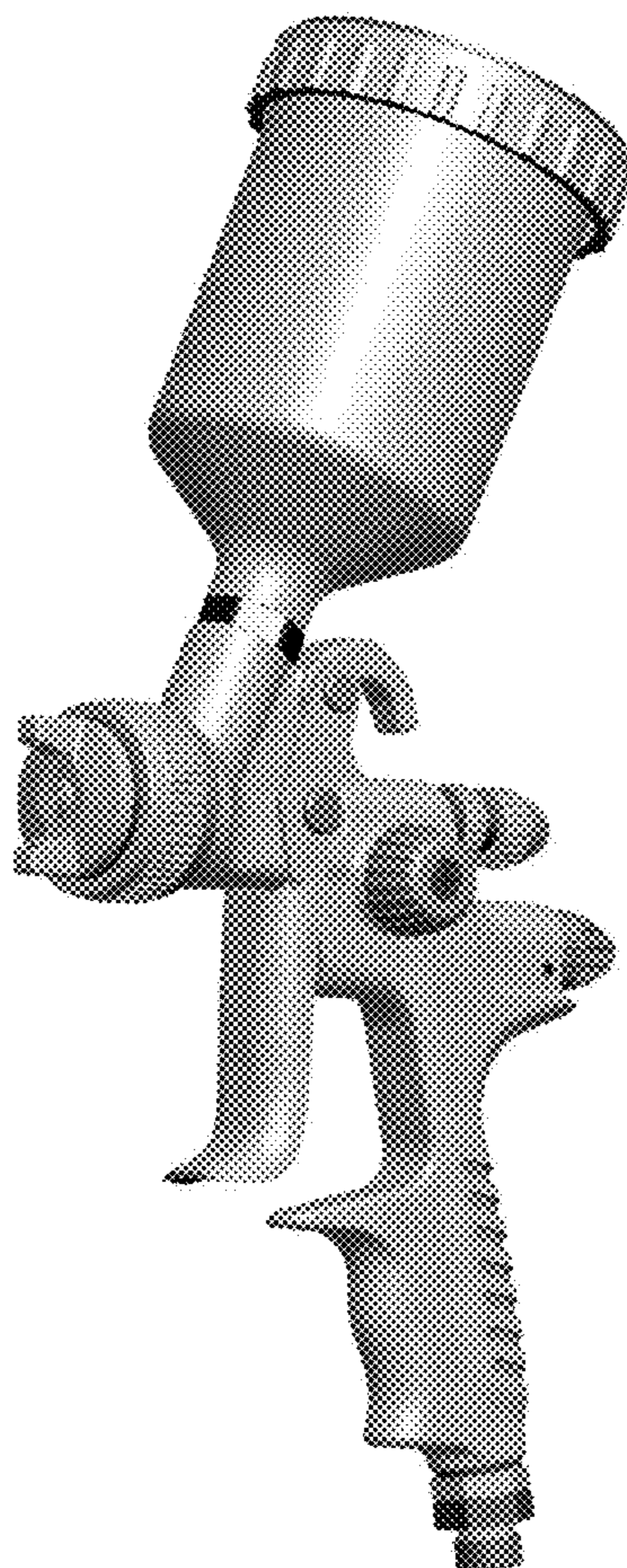
FIG. 4 is a left side elevational view thereof;

FIG. 5 is a right side elevational view thereof;

FIG. 6 is a top plan view thereof; and,

FIG. 7 is a bottom plan view thereof.

1 Claim, 7 Drawing Sheets



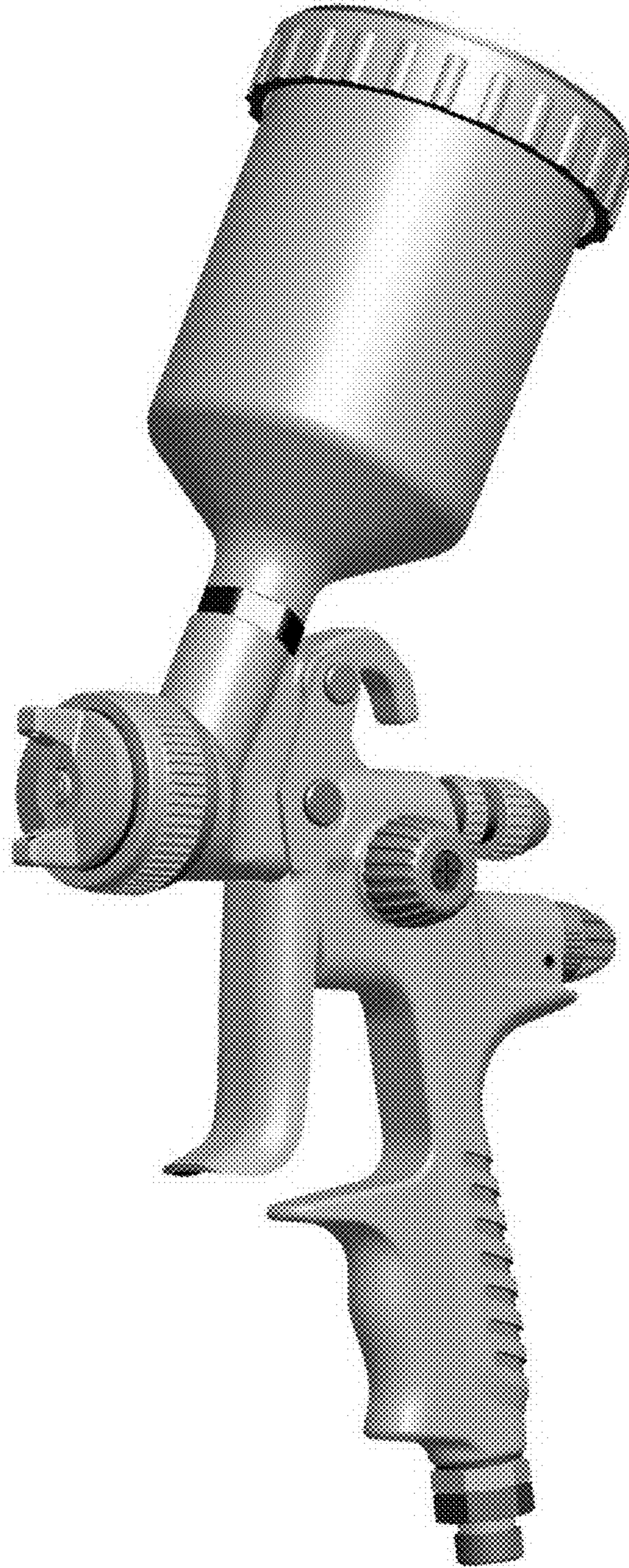


FIG. 1

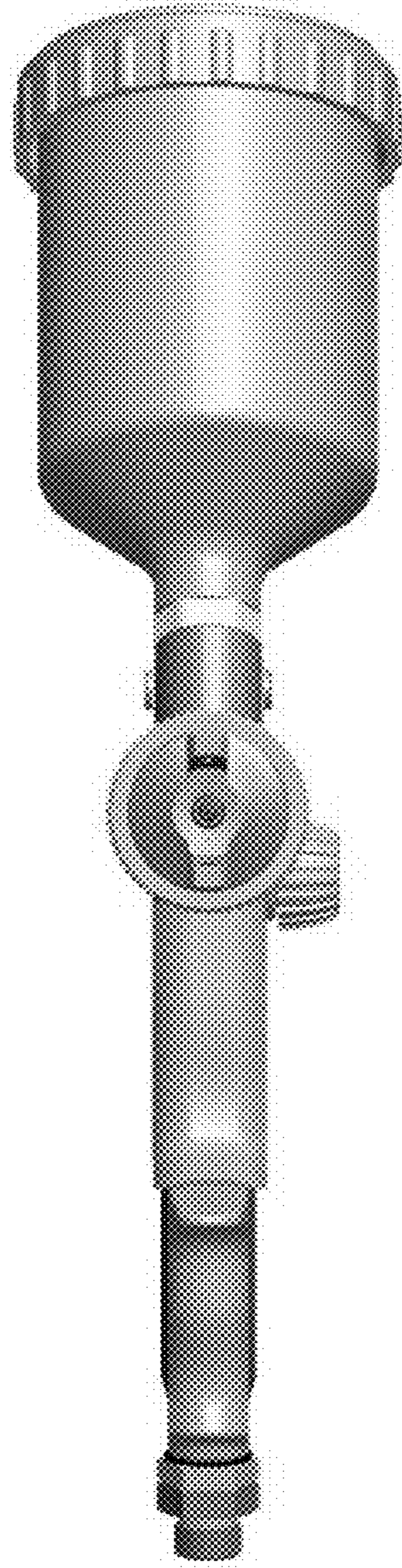


FIG. 2

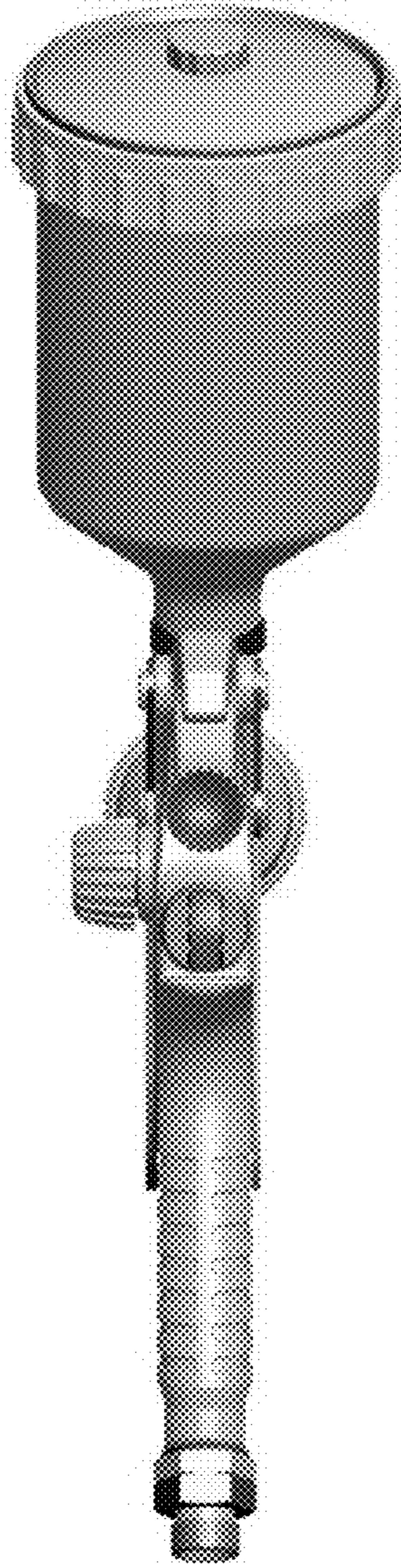


FIG. 3

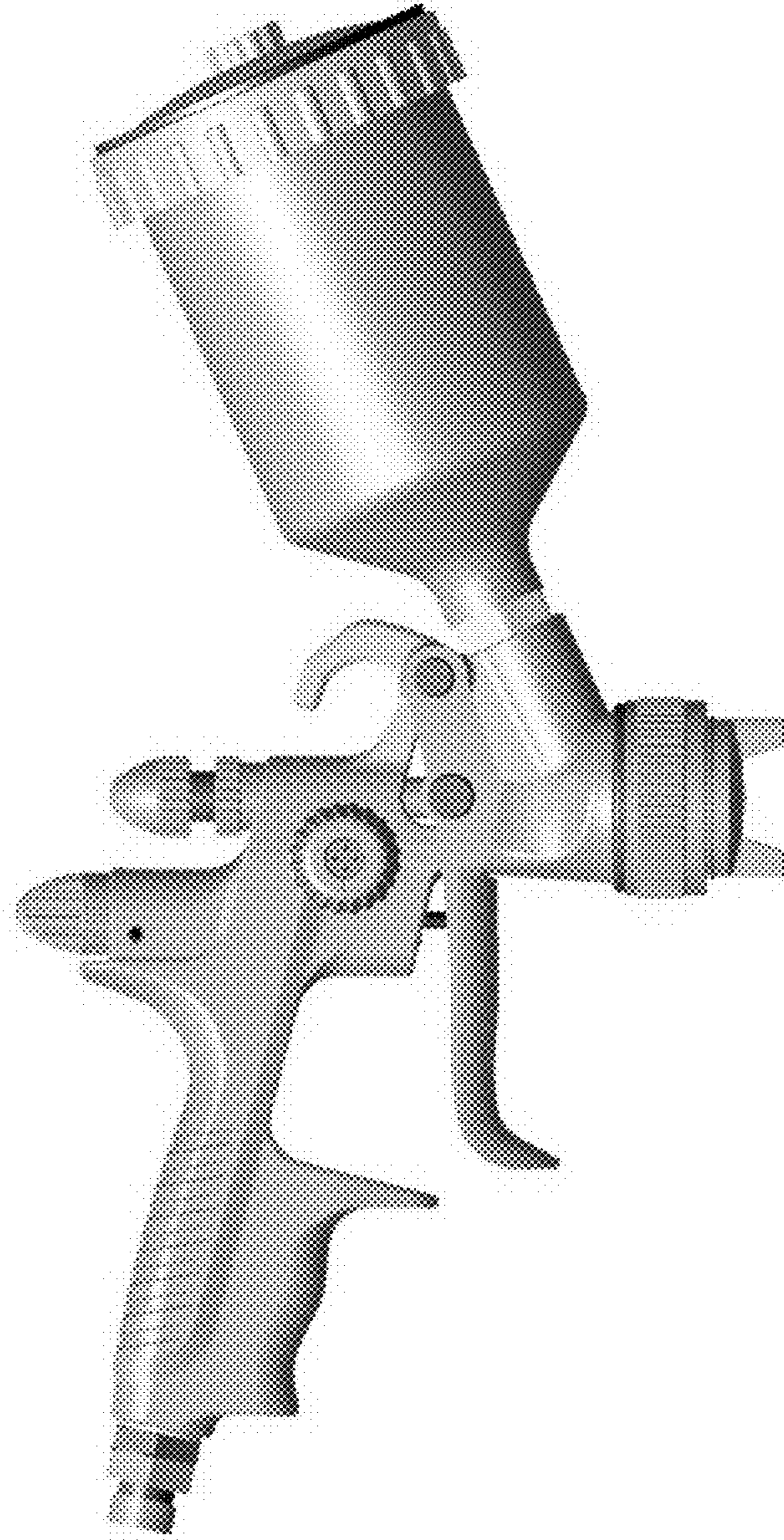


FIG. 4

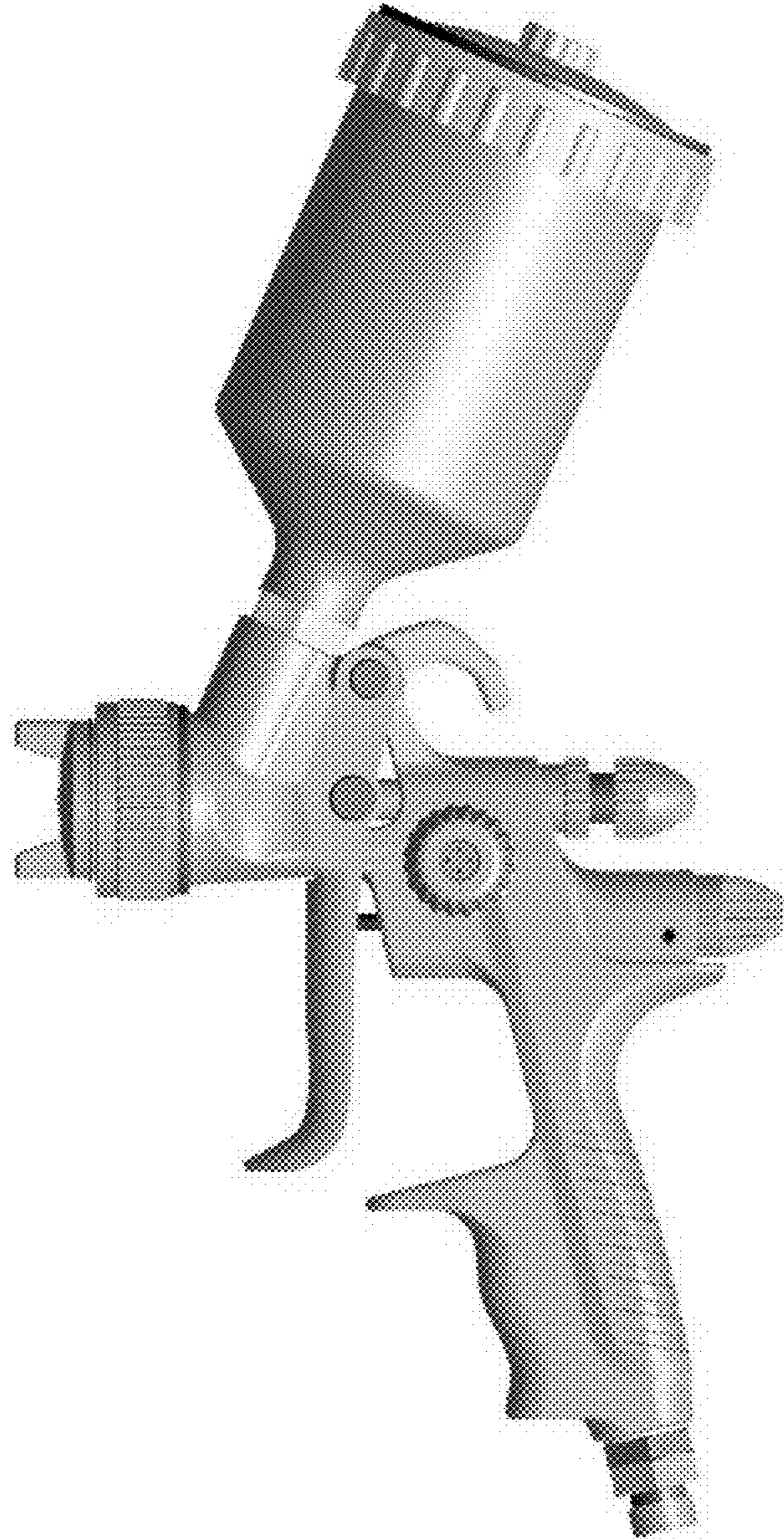


FIG. 5

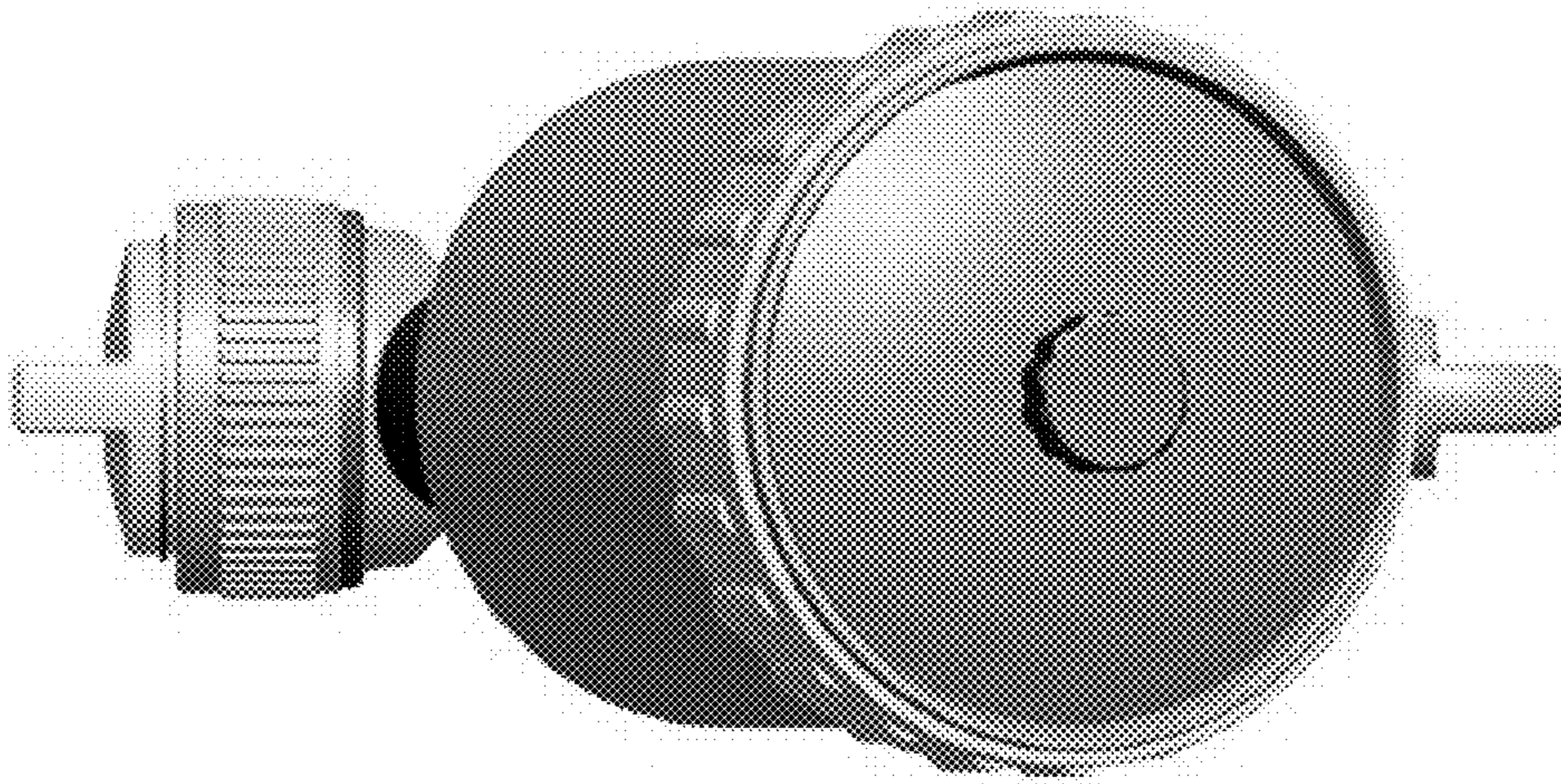


FIG. 6

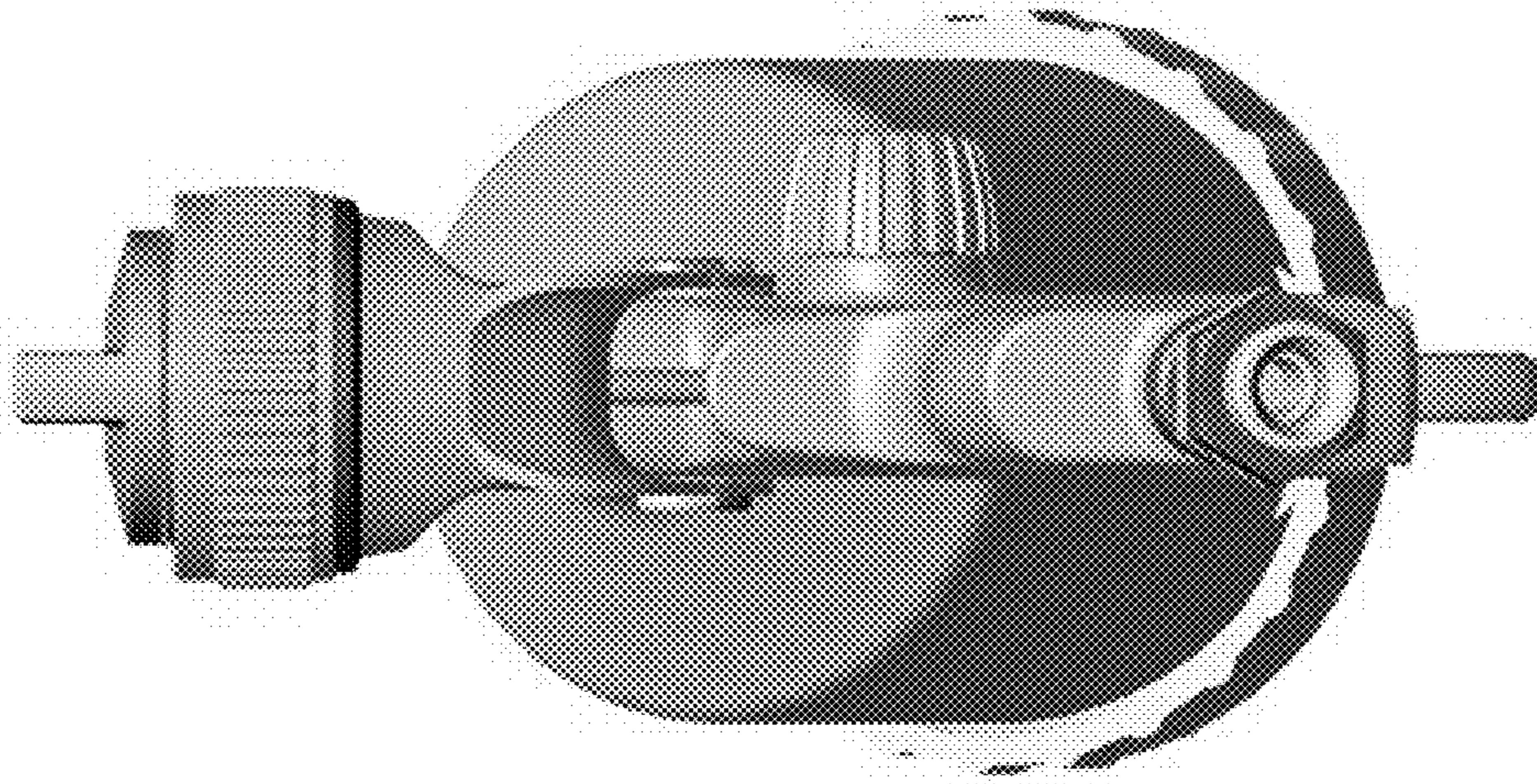


FIG. 7