

US00D692531S

(12) **United States Design Patent**
Li et al.

(10) **Patent No.:** **US D692,531 S**
(45) **Date of Patent:** **** Oct. 29, 2013**

(54) **SPRAY GUN**

(56) **References Cited**

(71) Applicants: **Xiao-Rong Li**, Taizhou (CN);
Zheng-Ting Shu, Taizhou (CN)

U.S. PATENT DOCUMENTS

(72) Inventors: **Xiao-Rong Li**, Taizhou (CN);
Zheng-Ting Shu, Taizhou (CN)

D270,367 S *	8/1983	Grime	D23/225
5,050,804 A *	9/1991	Svendsen et al.	239/296
6,010,082 A *	1/2000	Peterson	239/346
7,971,806 B2 *	7/2011	Johnson et al.	239/296

(**) Term: **14 Years**

* cited by examiner

(21) Appl. No.: **29/439,039**

Primary Examiner — Robin V Webster

(22) Filed: **Dec. 5, 2012**

(74) *Attorney, Agent, or Firm* — Xiao-Rong Li

(30) **Foreign Application Priority Data**

(57) **CLAIM**

The ornamental design for a spray gun, as shown and described.

Oct. 16, 2012 (CN) 2012 3 0492699

(51) **LOC (9) Cl.** **23-01**

(52) **U.S. Cl.**

USPC **D23/226; D23/225**

(58) **Field of Classification Search**

USPC D23/213, 223, 225, 226; 239/690, 691,
239/690.1, 291, 332, DIG. 14, 346, 379,
239/302

See application file for complete search history.

DESCRIPTION

FIG. 1 is an external view of a spray gun showing our new design;

FIG. 2 is a front elevational view thereof;

FIG. 3 is a rear elevational view thereof;

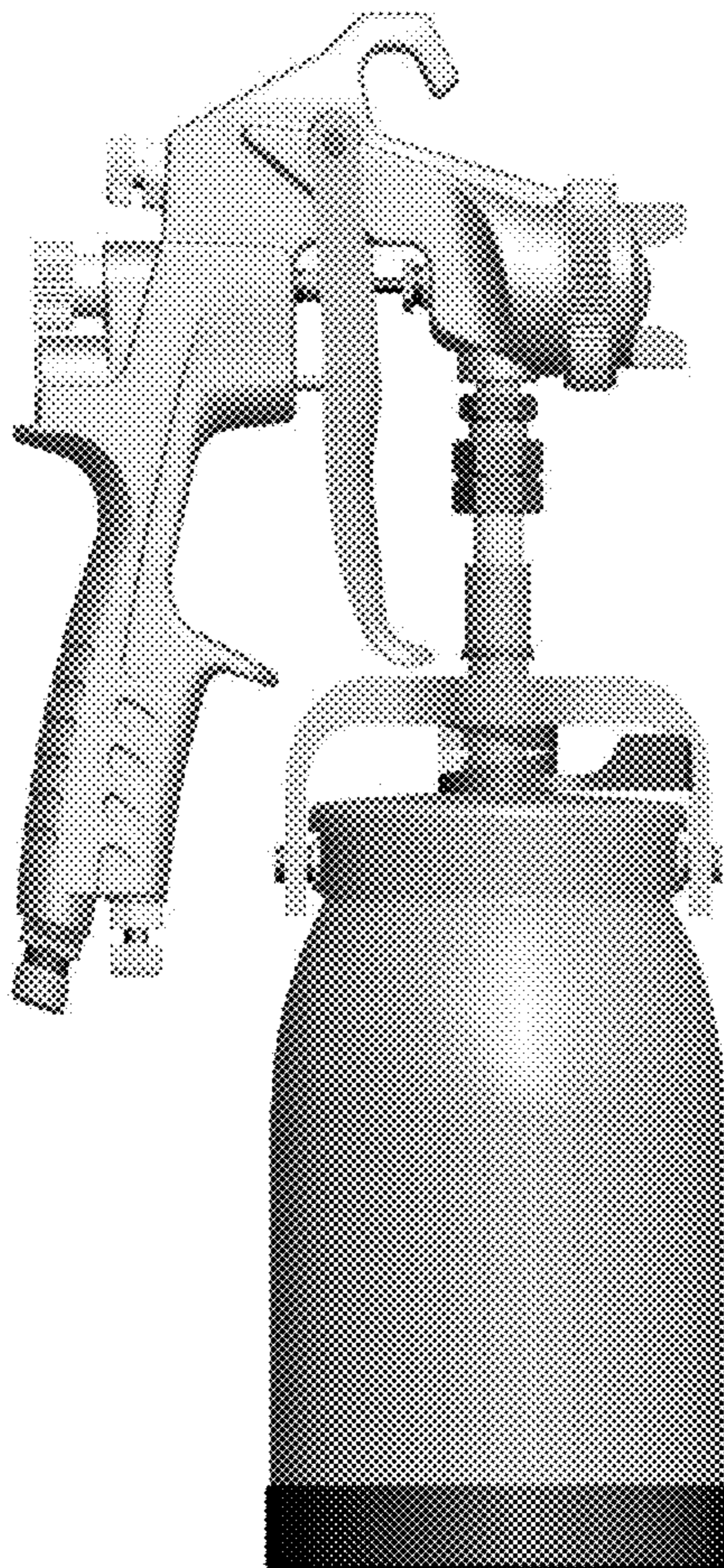
FIG. 4 is a left side elevational view thereof;

FIG. 5 is a right side elevational view thereof;

FIG. 6 is a top plan view thereof; and,

FIG. 7 is a bottom plan view thereof.

1 Claim, 7 Drawing Sheets



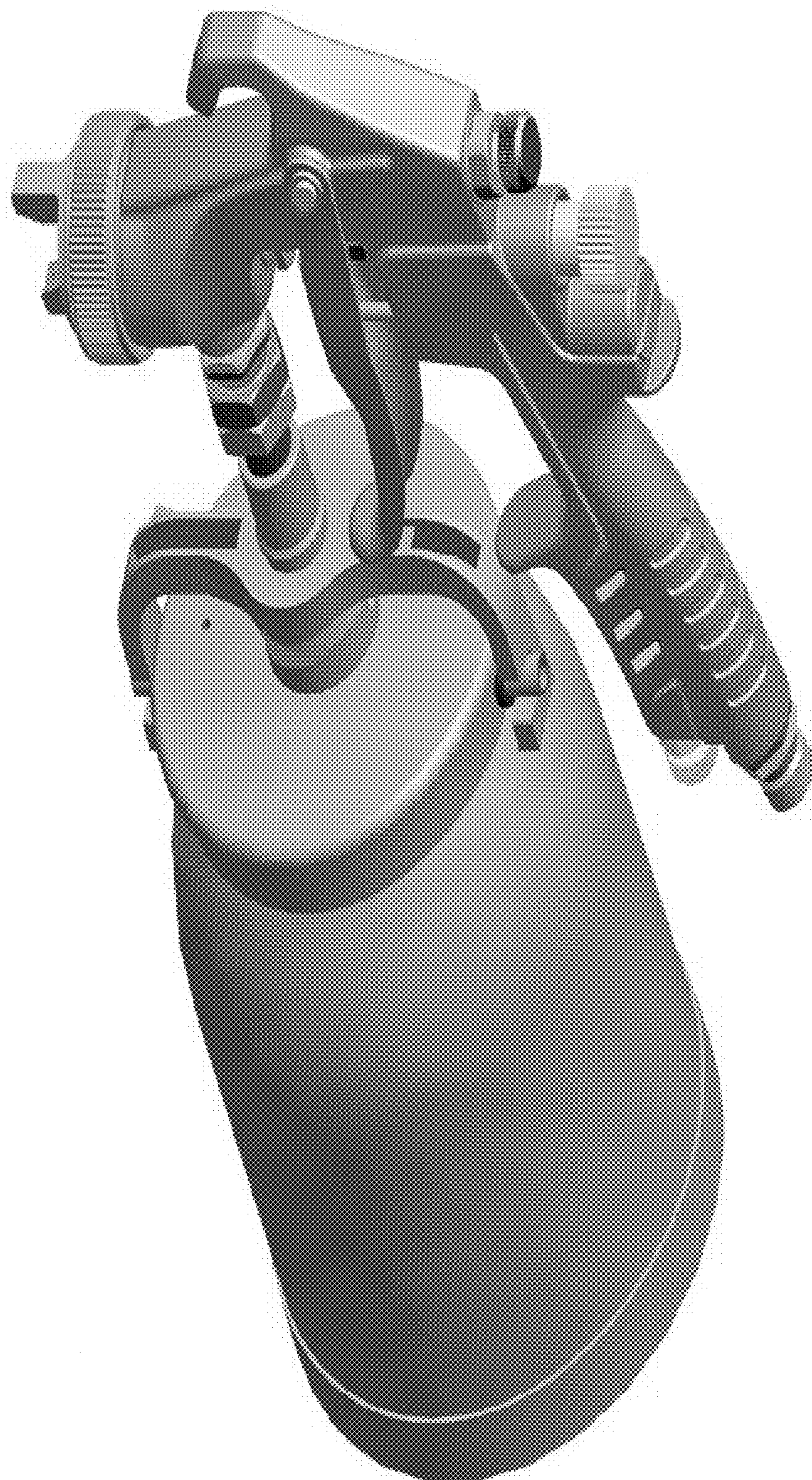


FIG. 1

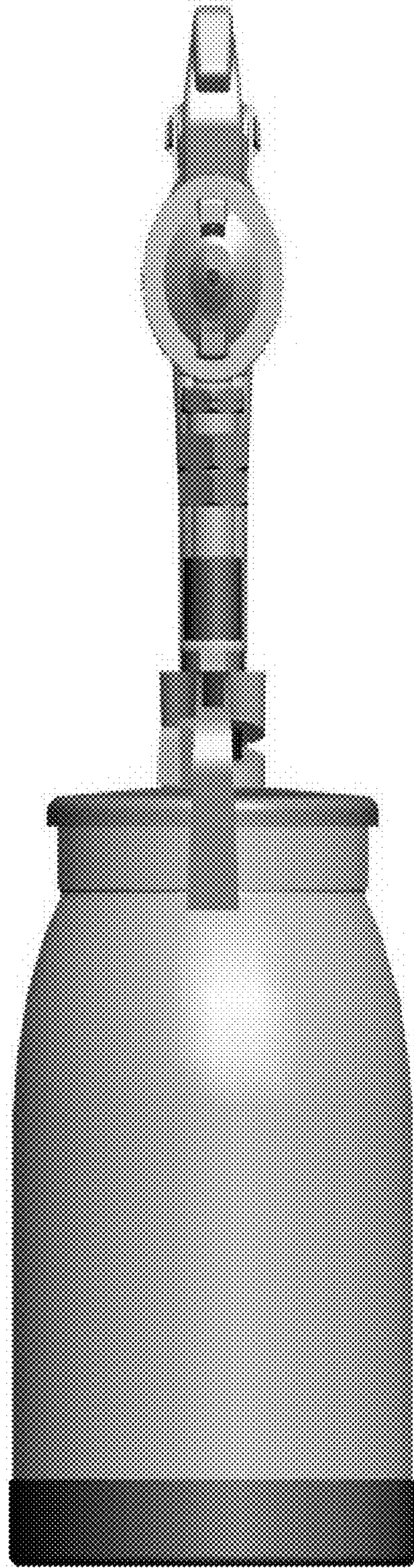


FIG. 2

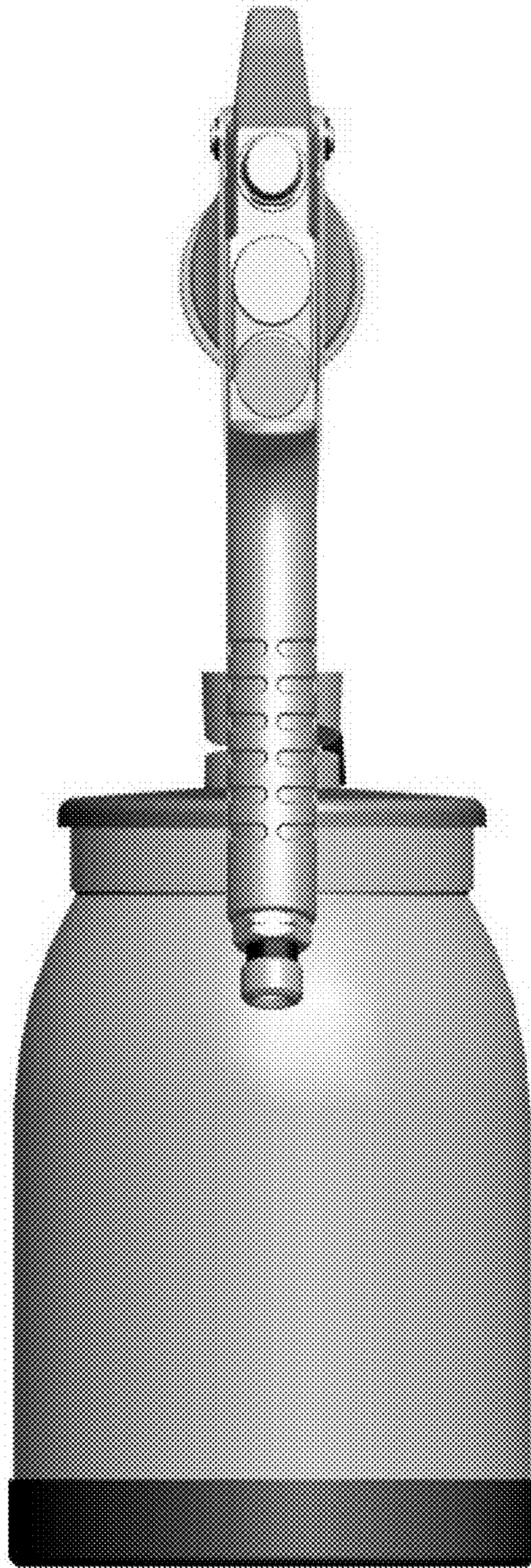


FIG. 3

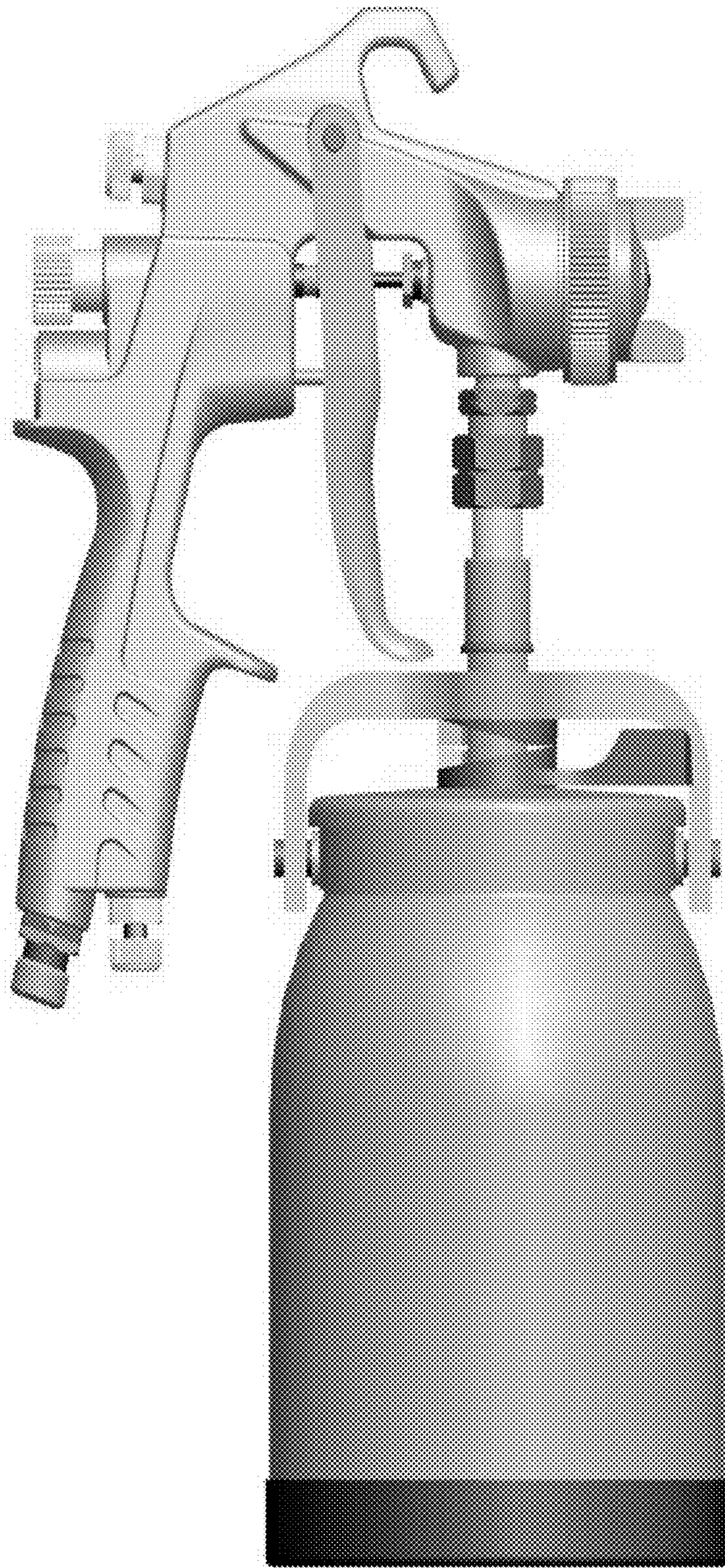


FIG. 4



FIG. 5

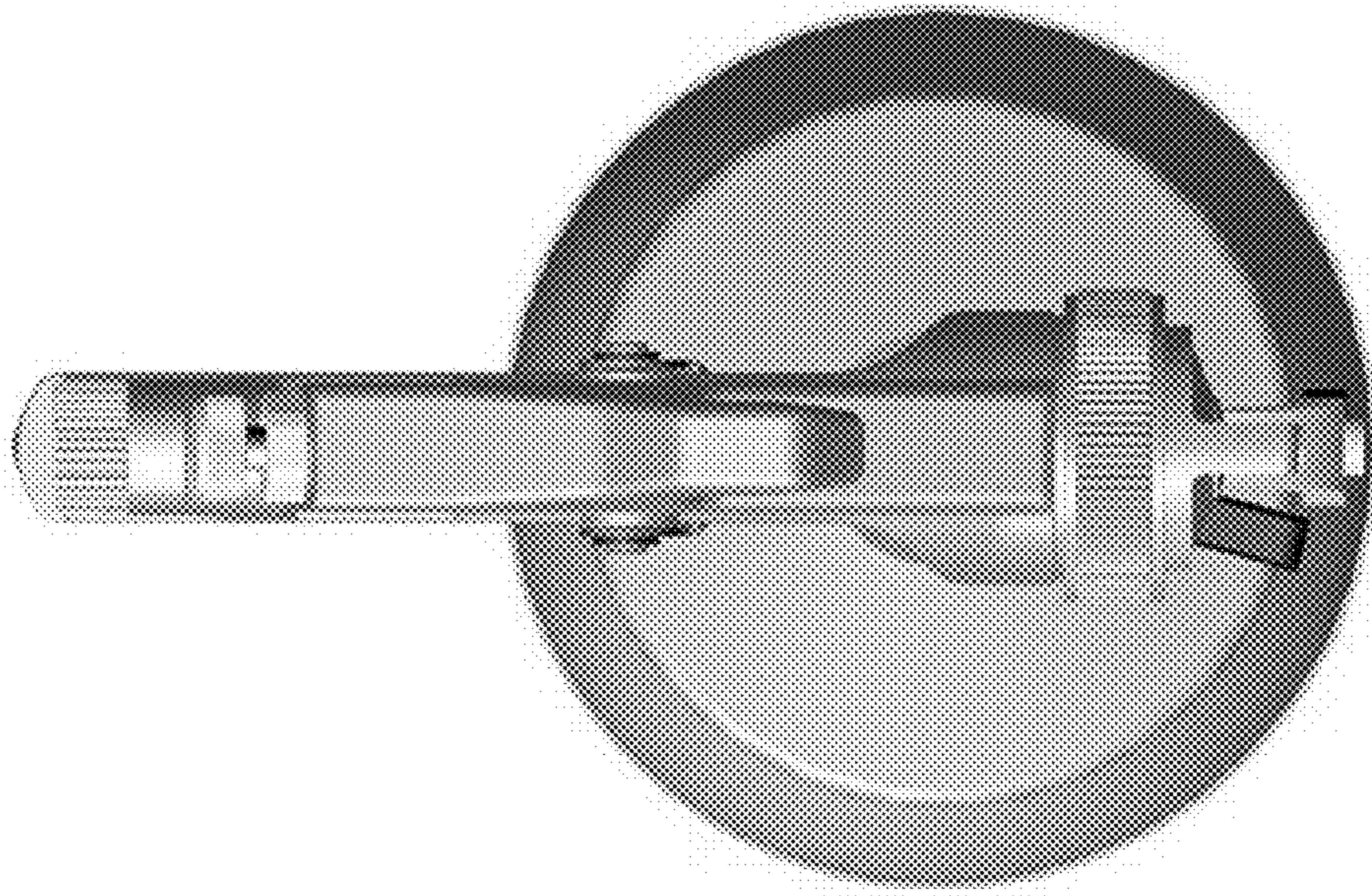


FIG. 6

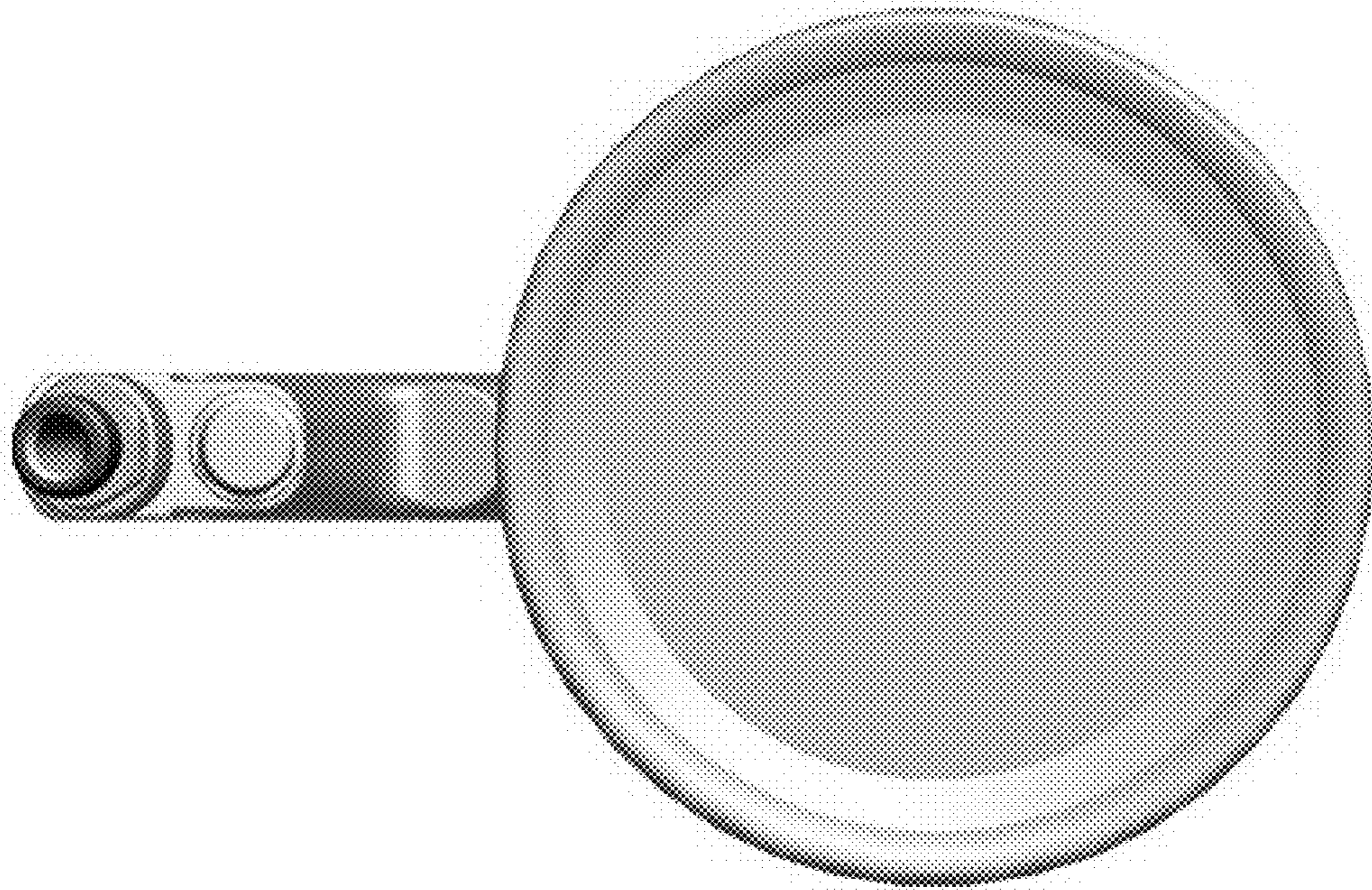


FIG. 7