

US00D692530S

(12) **United States Design Patent**
Gehrung

(10) **Patent No.:** **US D692,530 S**

(45) **Date of Patent:** **** Oct. 29, 2013**

(54) **PAINT SPRAY GUN CUP**

(71) Applicant: **SATA GmbH & Co. KG**, Kornwestheim (DE)

(72) Inventor: **Ralf Gehrung**, Stuttgart (DE)

(73) Assignee: **Sata GmbH & Co. KG**, Kornwestheim (DE)

(**) Term: **14 Years**

(21) Appl. No.: **29/439,558**

(22) Filed: **Dec. 12, 2012**

(30) **Foreign Application Priority Data**

Jul. 4, 2012 (EM) 002068452

(51) **LOC (9) Cl.** **23-01**

(52) **U.S. Cl.**
USPC **D23/225**

(58) **Field of Classification Search**
USPC D23/213, 223, 225, 226; 239/690, 691,
239/690.1, 291, 332, DIG. 14, 346, 379,
239/302

See application file for complete search history.

(56) **References Cited**

U.S. PATENT DOCUMENTS

6,092,740 A * 7/2000 Liu 239/346
6,820,824 B1 * 11/2004 Joseph et al. 239/346

6,877,677 B2 * 4/2005 Schmon et al. 239/346
7,036,752 B1 * 5/2006 Hsiang 239/379
7,410,106 B2 * 8/2008 Escoto et al. 239/347
7,568,638 B2 * 8/2009 Gehrung 239/345
7,694,896 B2 * 4/2010 Turnbull et al. 239/379

* cited by examiner

Primary Examiner — Robin V Webster

(74) *Attorney, Agent, or Firm* — Marty Fleit; Paul D. Bianco; Fleit Gibbons Gutman Bongini Biaco PL

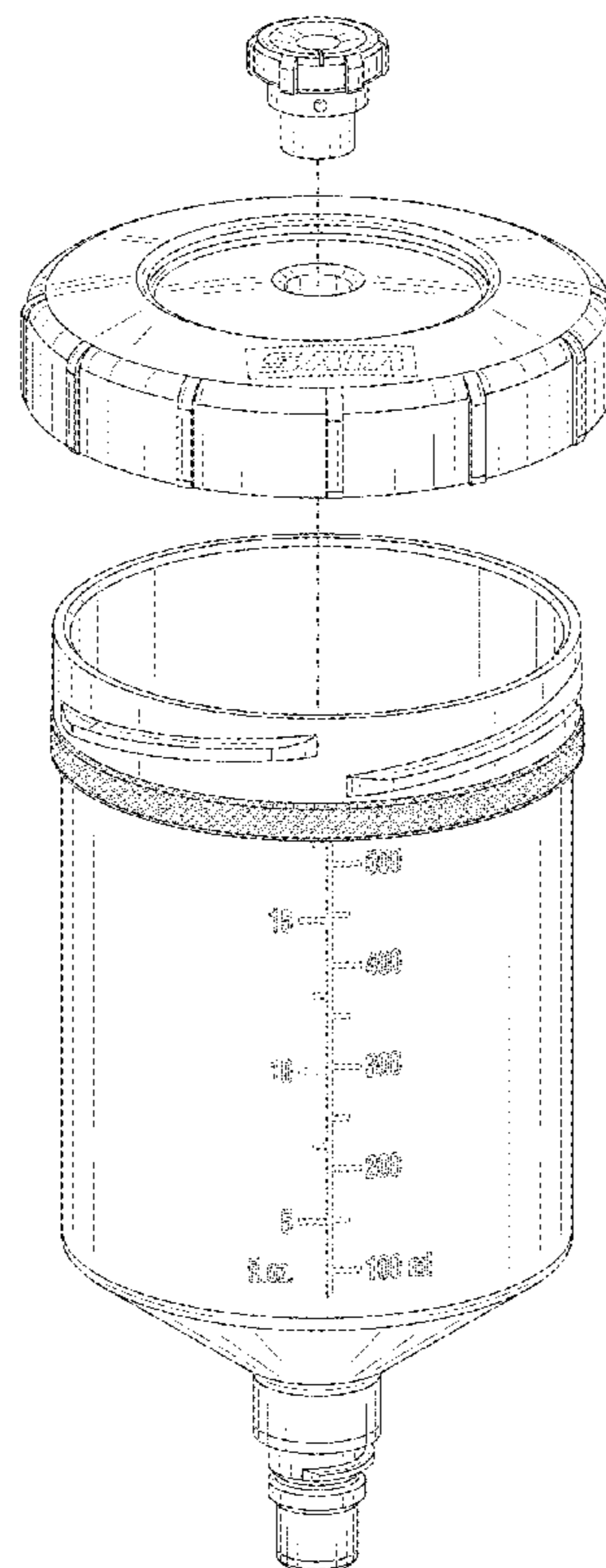
(57) **CLAIM**

The ornamental design for a paint spray gun cup, as shown and described.

DESCRIPTION

FIG. 1 is an exploded first perspective view of a paint spray gun cup according to the present invention; FIG. 2 is an exploded side view of the paint spray gun cup of FIG. 1; FIG. 3 is an exploded second perspective view of the paint spray gun cup of FIG. 1; FIG. 4 is a side view of the paint spray gun cup of FIG. 1; FIG. 5 is a top view of the paint spray gun cup of FIG. 1; and, FIG. 6 is a bottom view of the paint spray gun cup of FIG. 1. The stippling used on the container represents a surface having a color. The features shown in broken lines including, the measuring numbers and lines on the side of the container as well as the SATA® mark on the lid, form no part of the claimed design.

1 Claim, 5 Drawing Sheets



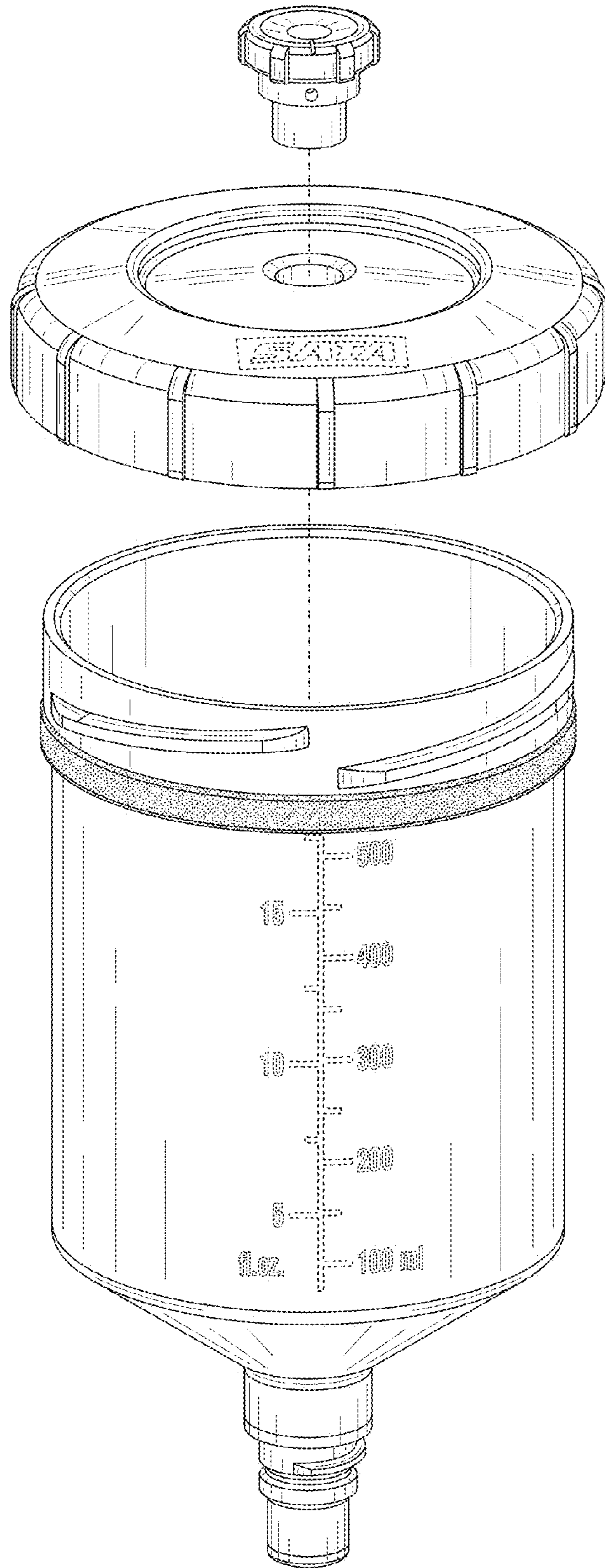


FIG. 1

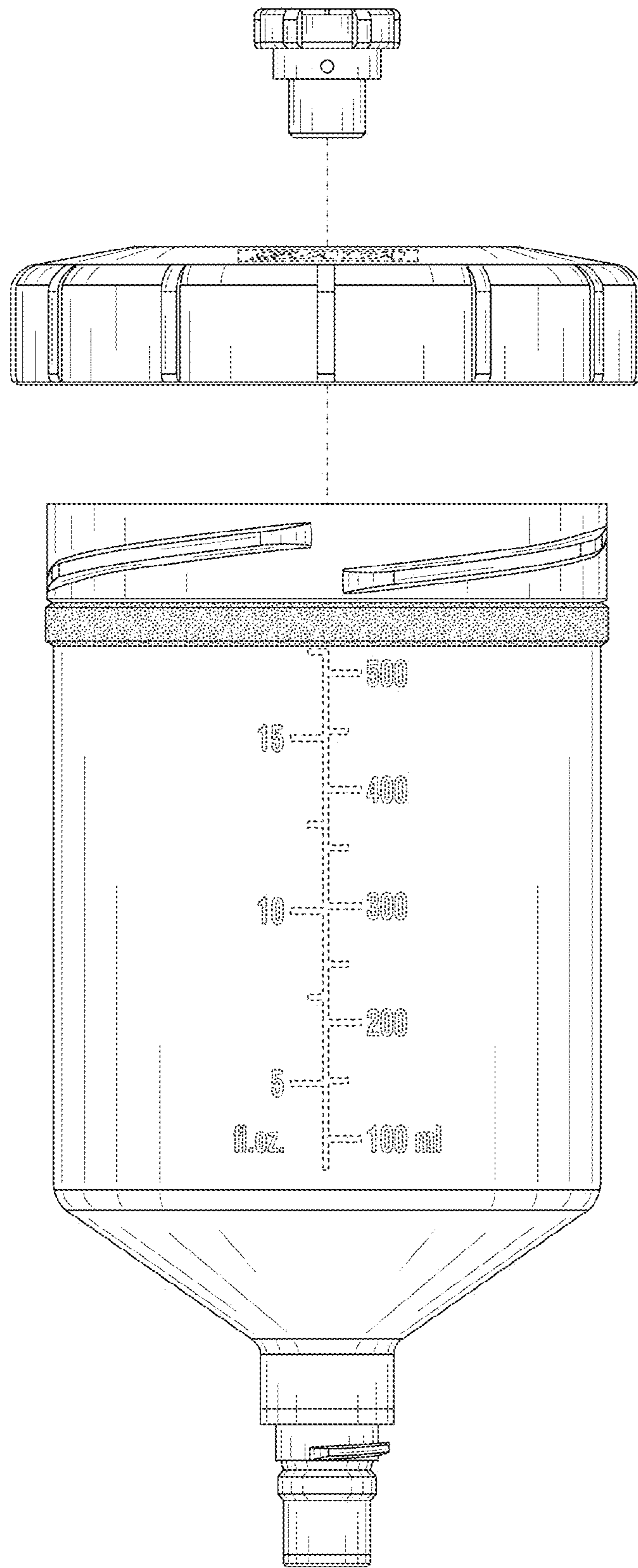


FIG. 2

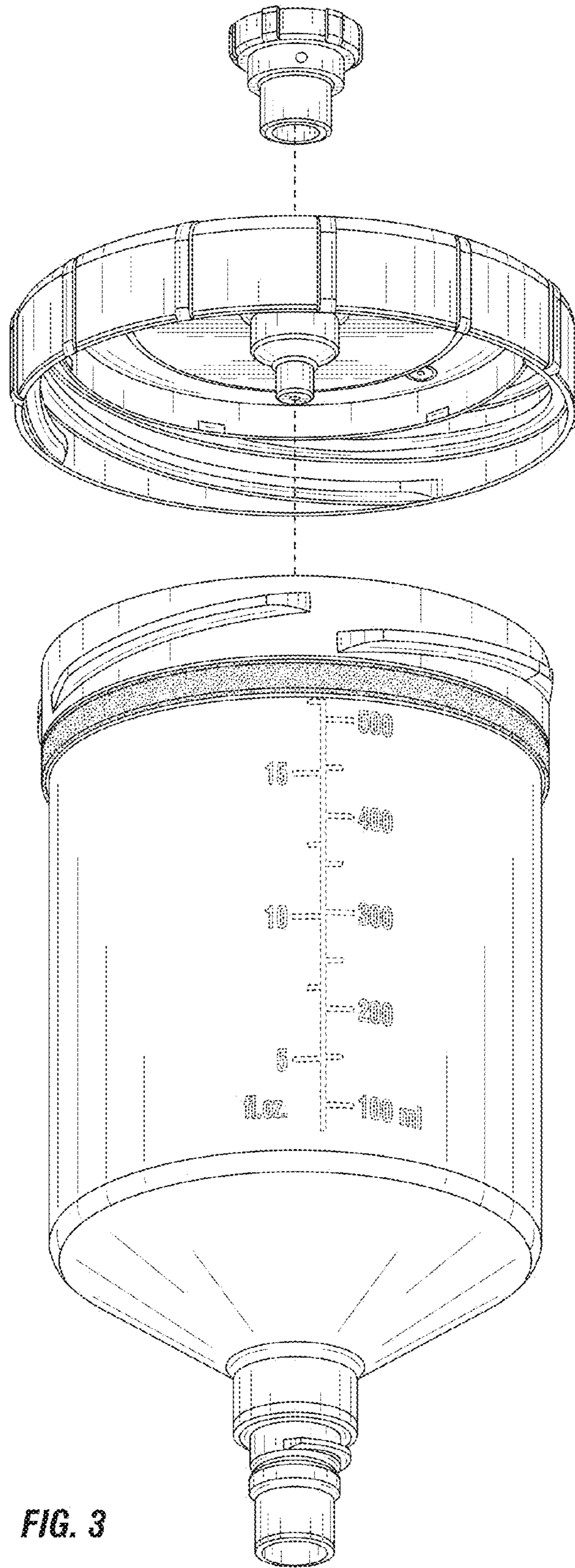


FIG. 3

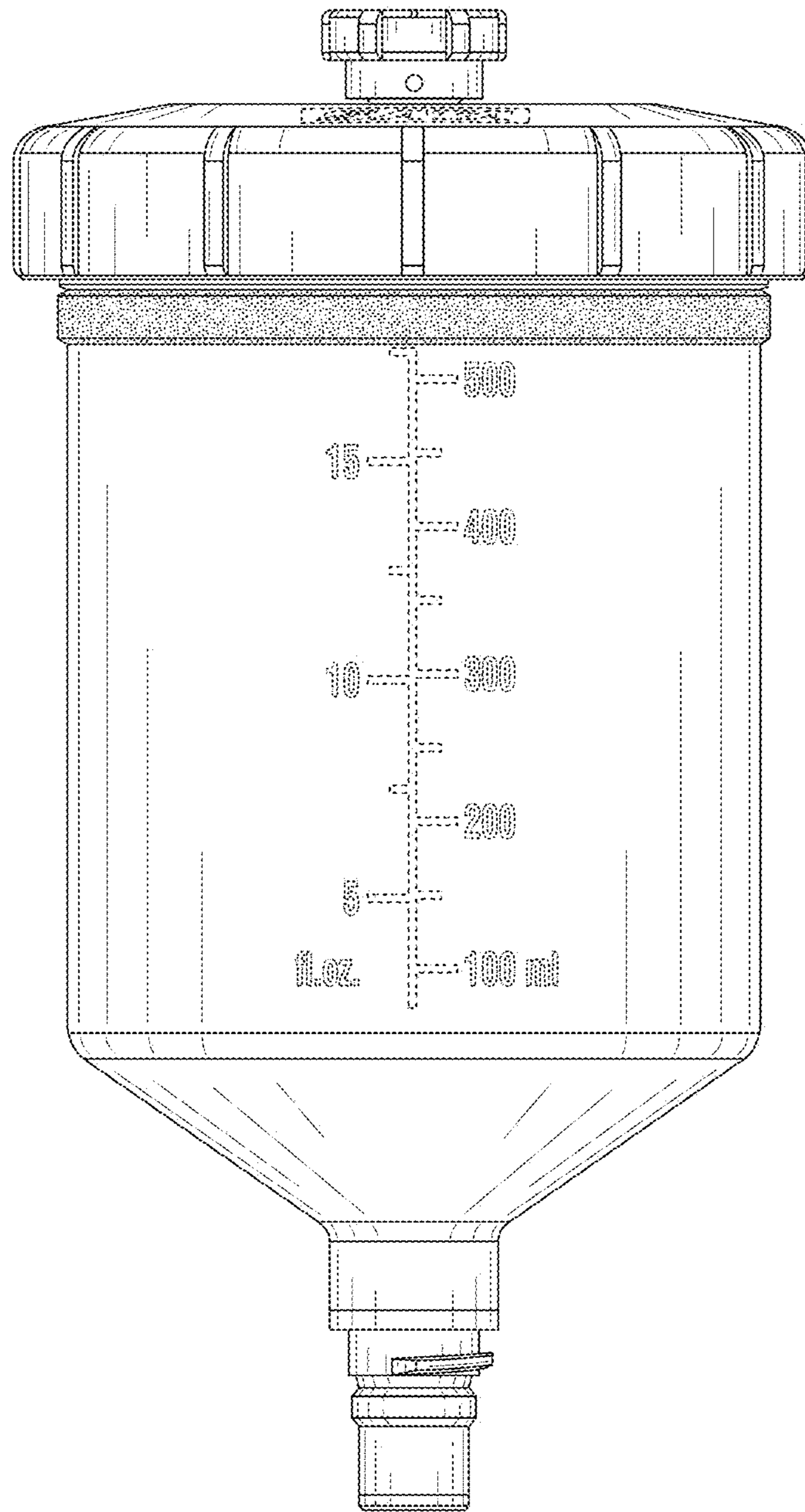


FIG. 4

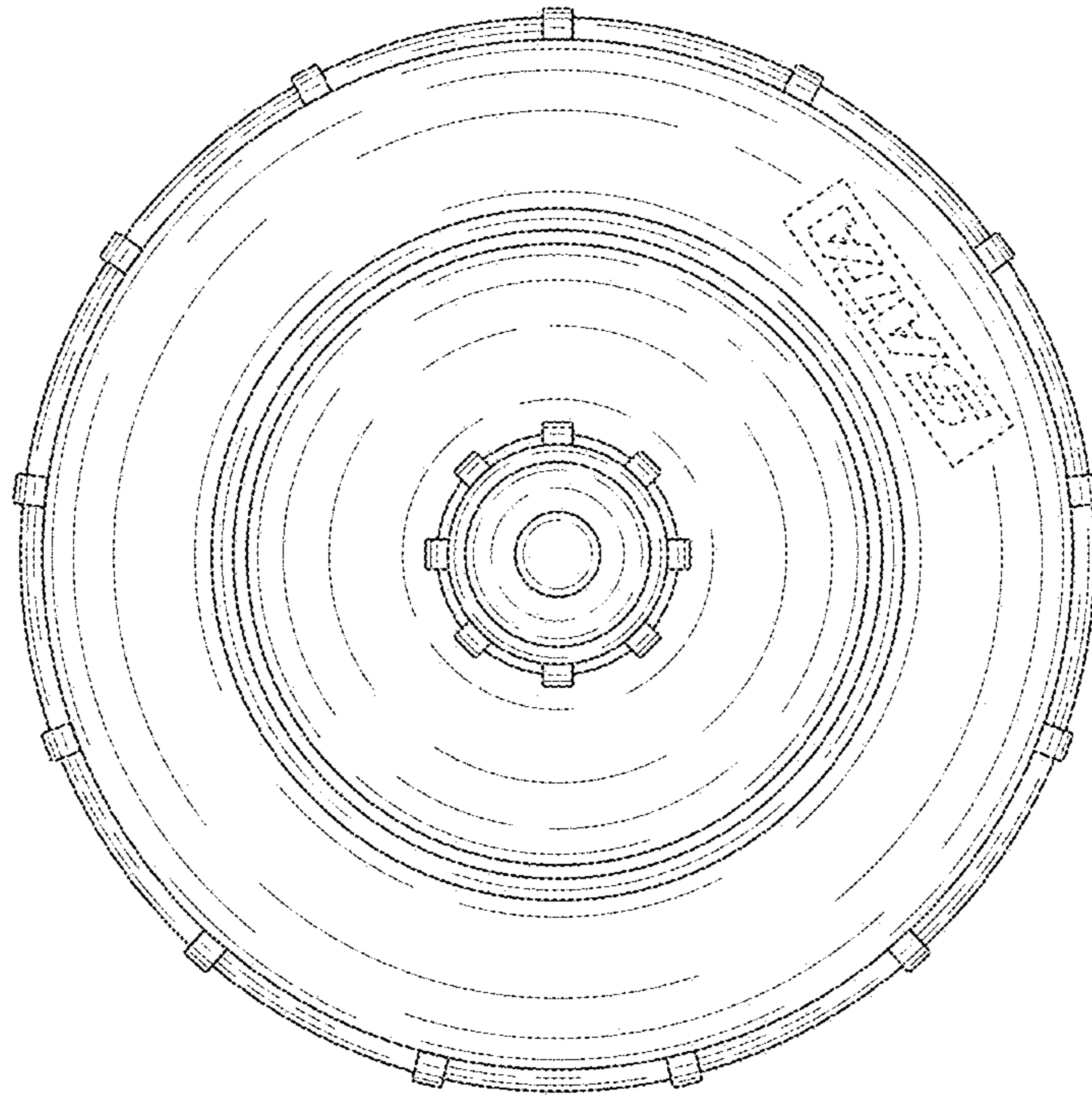


FIG. 5

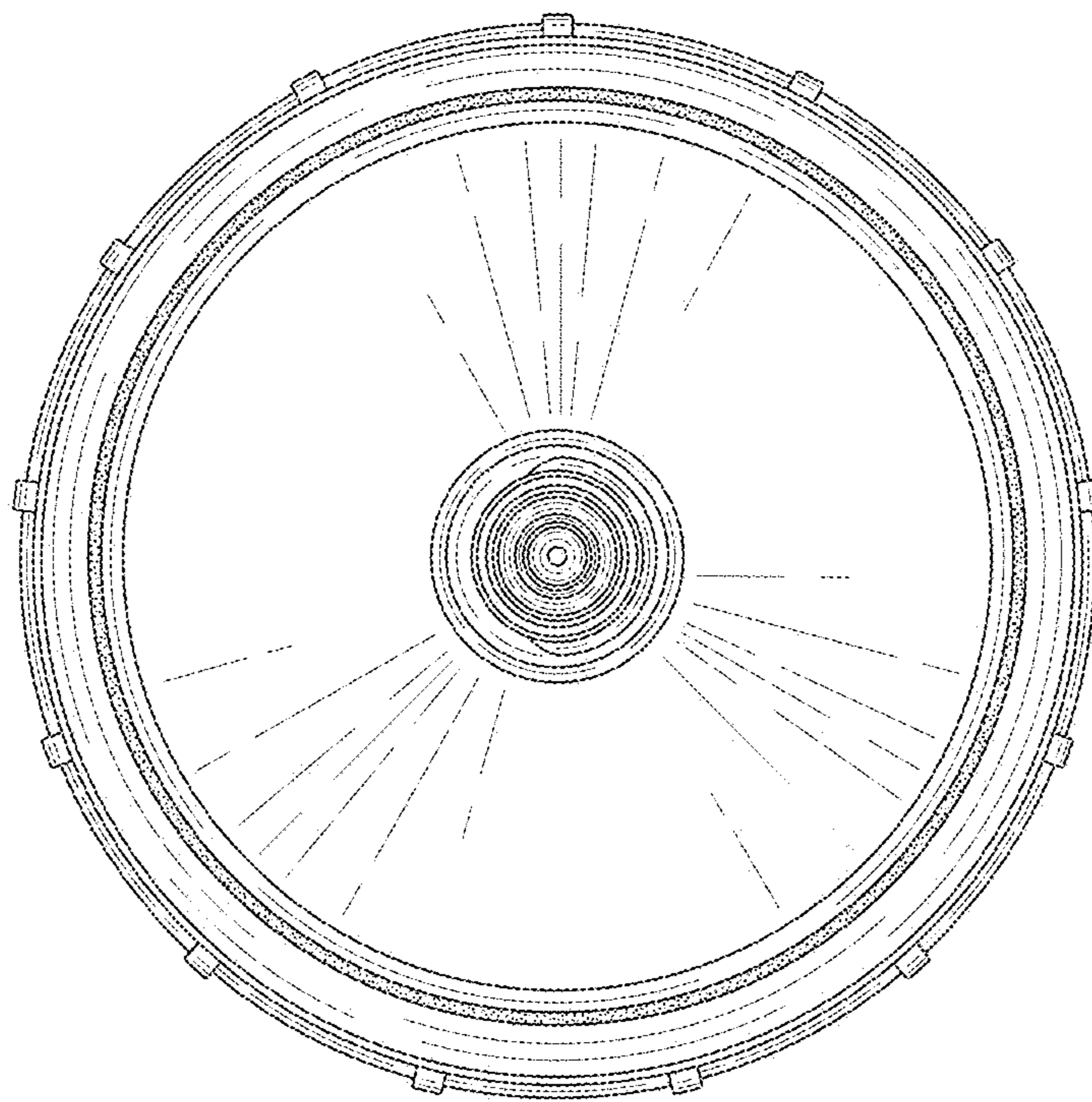


FIG. 6