



US00D692529S

(12) **United States Design Patent**  
**Grether**

(10) **Patent No.:** **US D692,529 S**

(45) **Date of Patent:** **\*\* Oct. 29, 2013**

(54) **DYNAMIC DIFFUSOR**

(71) Applicant: **Neoperl GmbH**, Munich (DE)

(72) Inventor: **Hermann Grether**, Mullheim (DE)

(73) Assignee: **Neoperl GmbH**, Mullheim (DE)

(\*\*) Term: **14 Years**

(21) Appl. No.: **29/451,809**

(22) Filed: **Apr. 9, 2013**

**Related U.S. Application Data**

(62) Division of application No. 29/386,785, filed on Mar. 4, 2011, now Pat. No. Des. 682,986.

(30) **Foreign Application Priority Data**

Oct. 21, 2010 (EM) ..... 001240972-01/06

(51) **LOC (9) Cl.** ..... **23-01**

(52) **U.S. Cl.**  
USPC ..... **D23/213**

(58) **Field of Classification Search**  
USPC ..... D23/213, 249; 239/428.5, 437;  
261/DIG. 22

See application file for complete search history.

(56) **References Cited**

U.S. PATENT DOCUMENTS

D536,417 S 2/2007 Buttgen  
D537,916 S 3/2007 Buttgen  
D577,416 S 9/2008 Buttgen

*Primary Examiner* — Robin V Webster

(74) *Attorney, Agent, or Firm* — Volpe and Koenig, P.C.

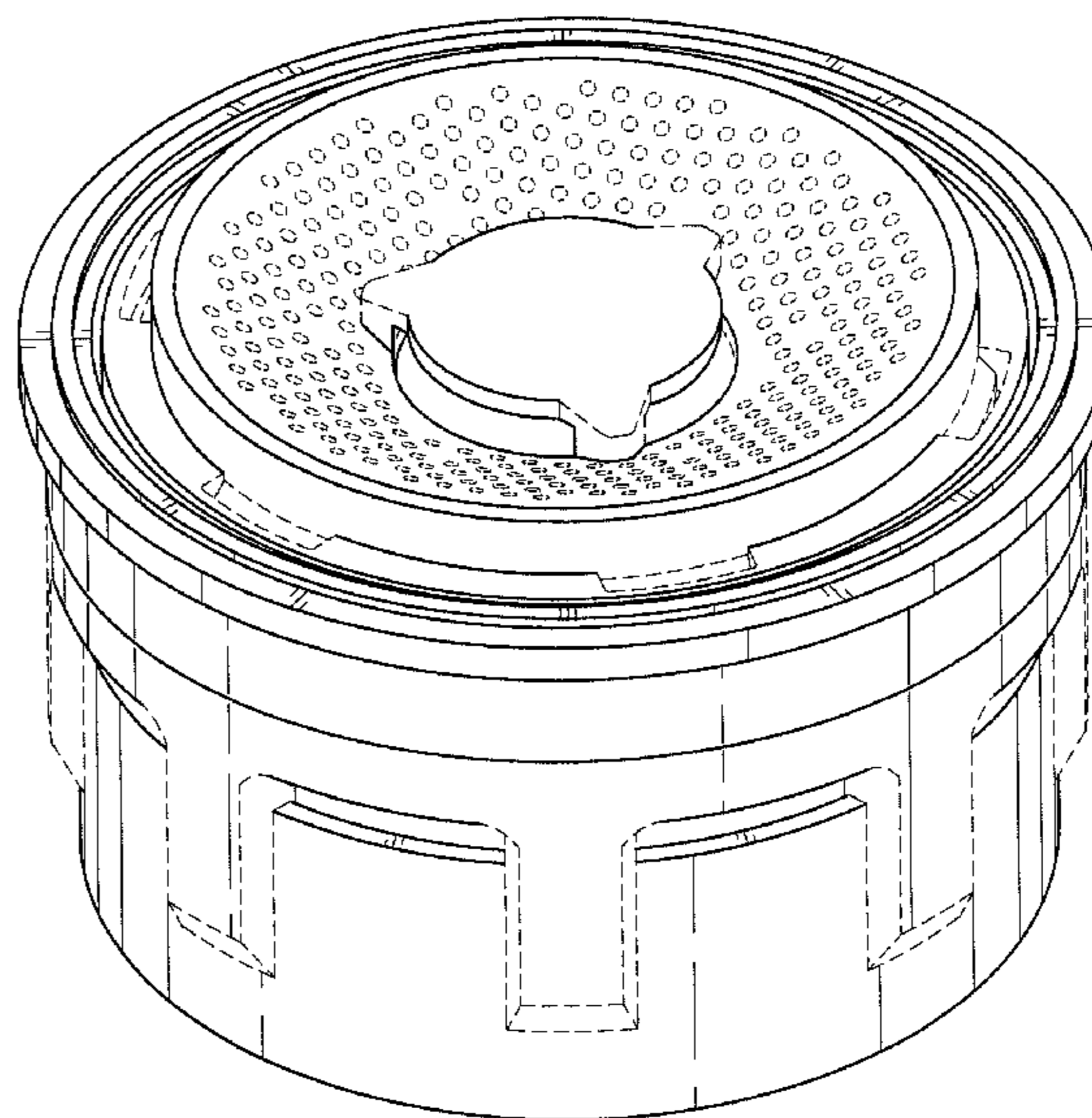
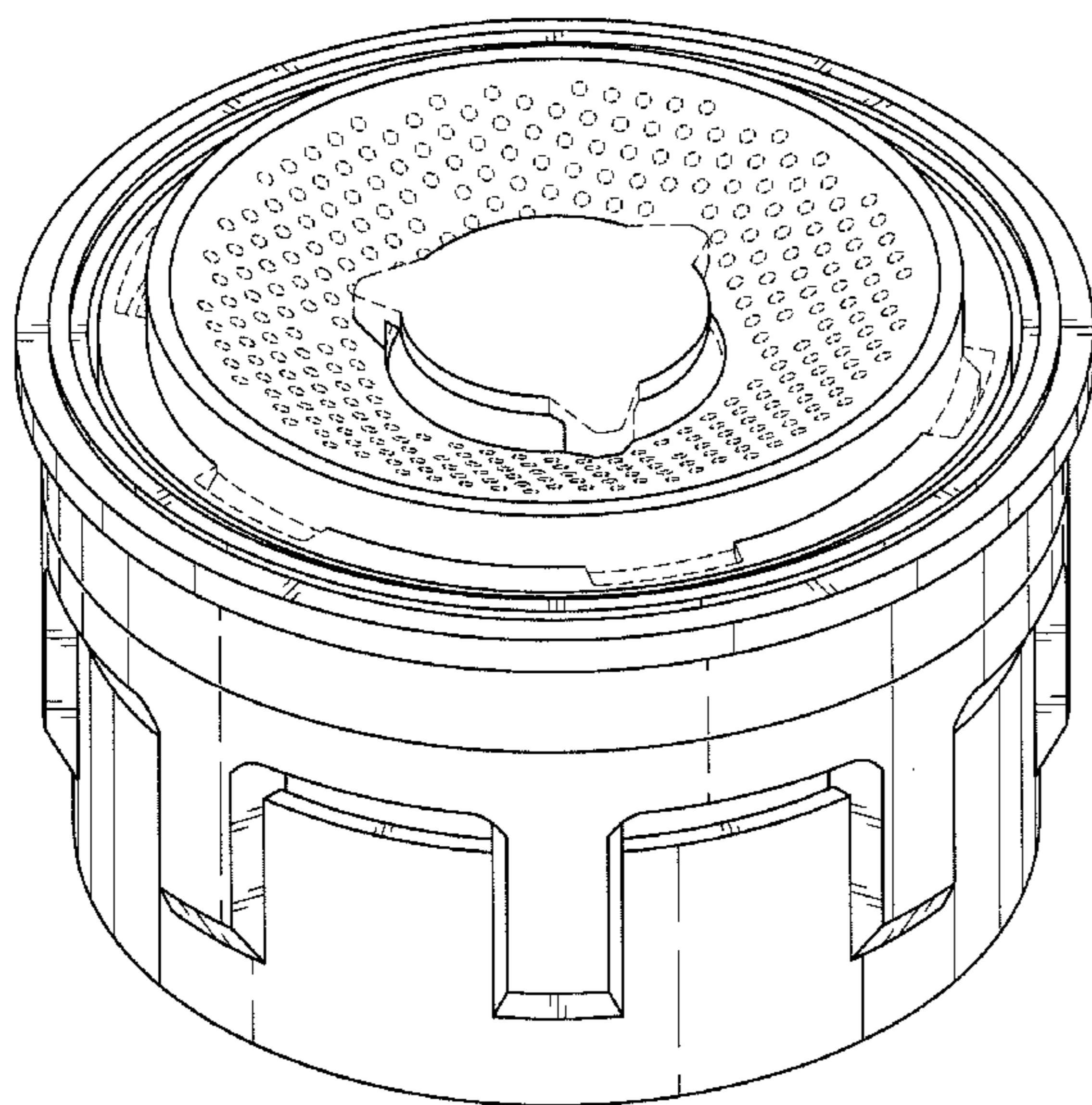
(57) **CLAIM**

The ornamental design for a dynamic diffusor, as shown and described.

**DESCRIPTION**

FIG. 1 is a top plan view of a first embodiment of a dynamic diffusor in accordance with my design;  
FIG. 2 is a top, front perspective view thereof;  
FIG. 3 is a bottom plan view thereof;  
FIG. 4 is a bottom, rear perspective view thereof;  
FIG. 5 is an elevational view thereof; and  
FIG. 6 is a cross-sectional view taken through FIG. 5 which shows the depth of the outer contours of the design;  
FIG. 7 is a top plan view of a second embodiment of the dynamic diffusor in accordance with my design;  
FIG. 8 is a top, front perspective view thereof;  
FIG. 9 is a bottom plan view thereof;  
FIG. 10 is a bottom, rear perspective view thereof;  
FIG. 11 is an elevational view thereof; and  
FIG. 12 is a cross-sectional view taken through FIG. 11 which shows the depth of the outer contours of the design.  
The broken lines illustrated form no part of the claimed design.

**1 Claim, 12 Drawing Sheets**



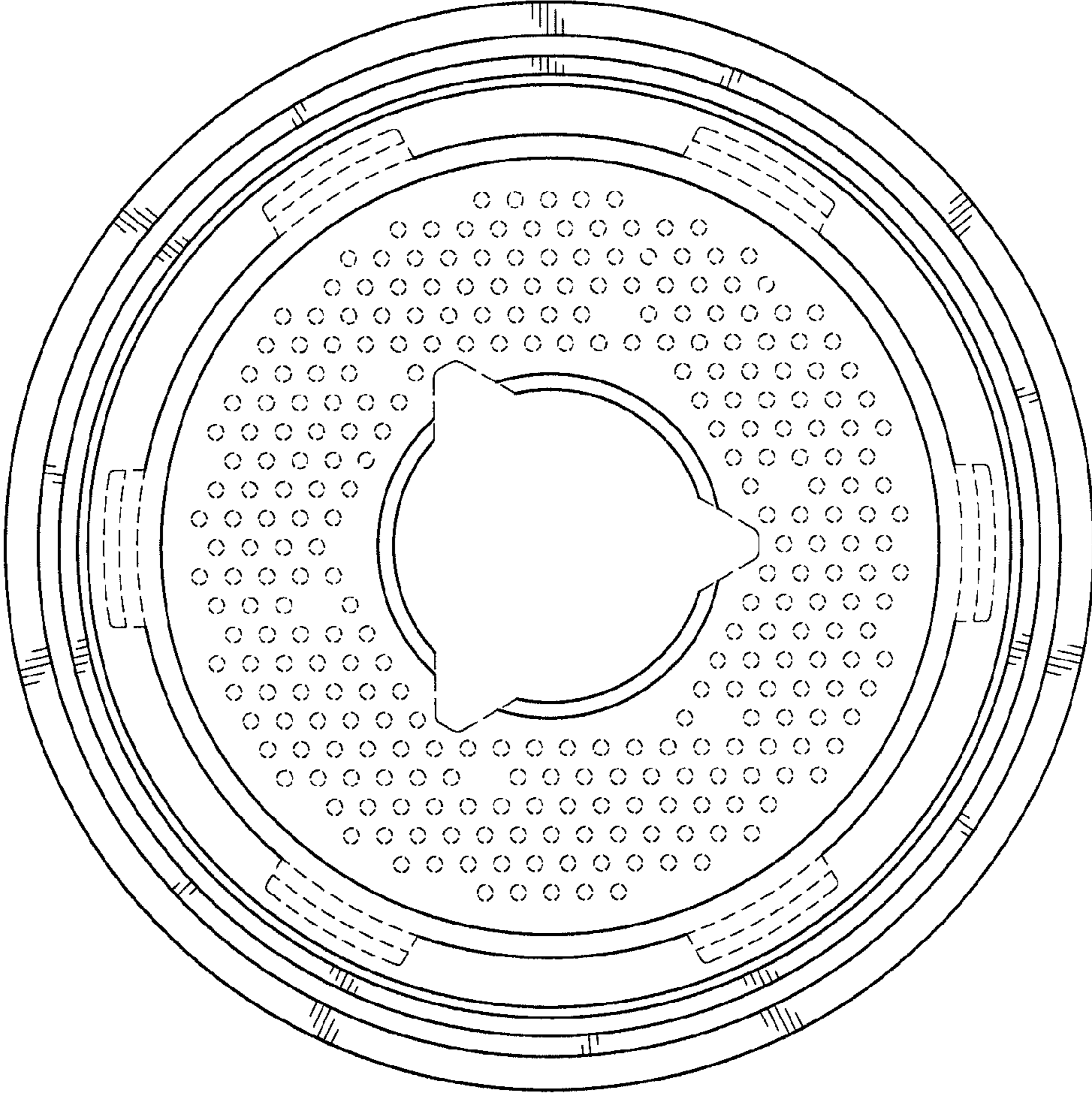


Fig. 1

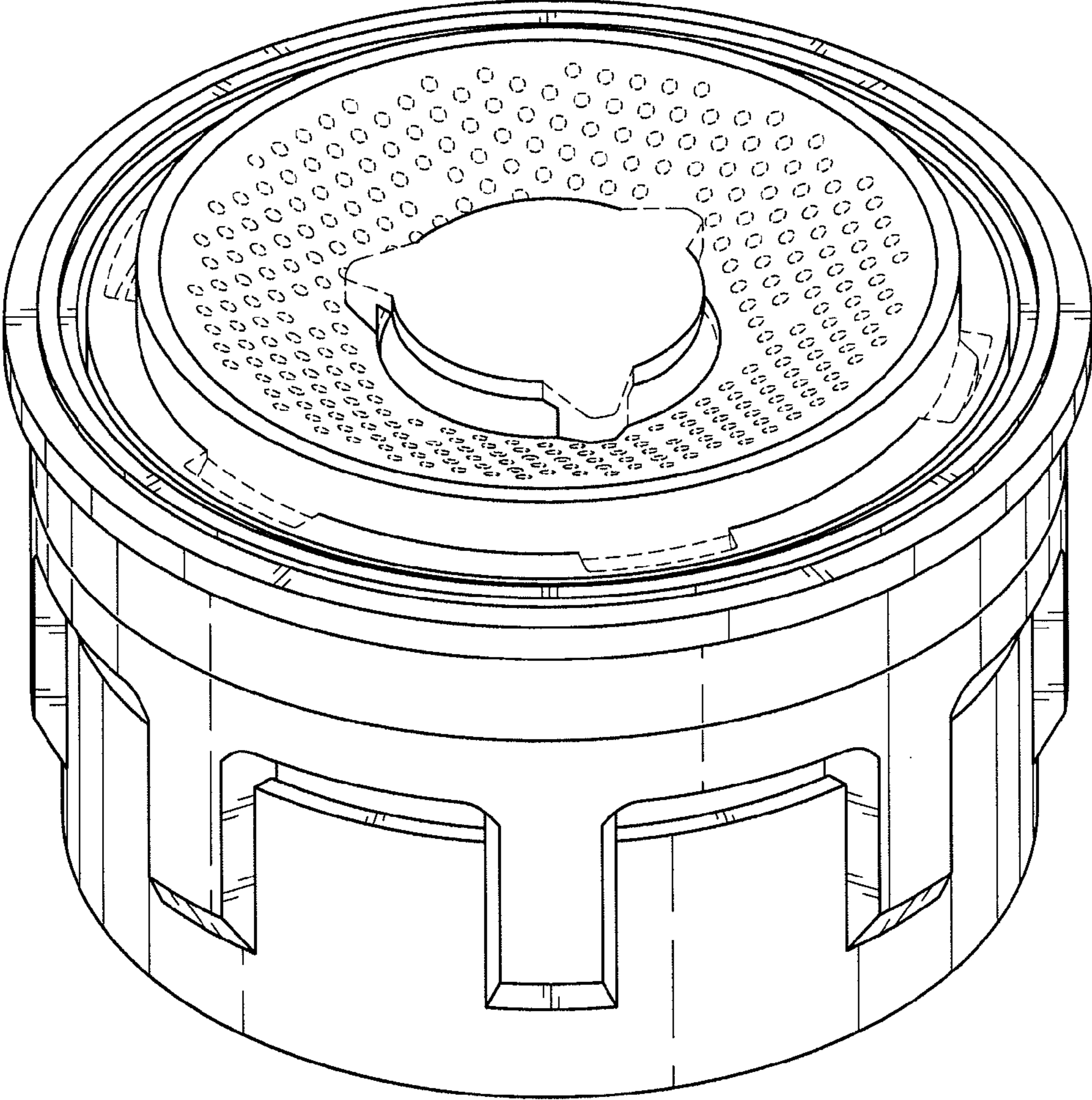


Fig. 2

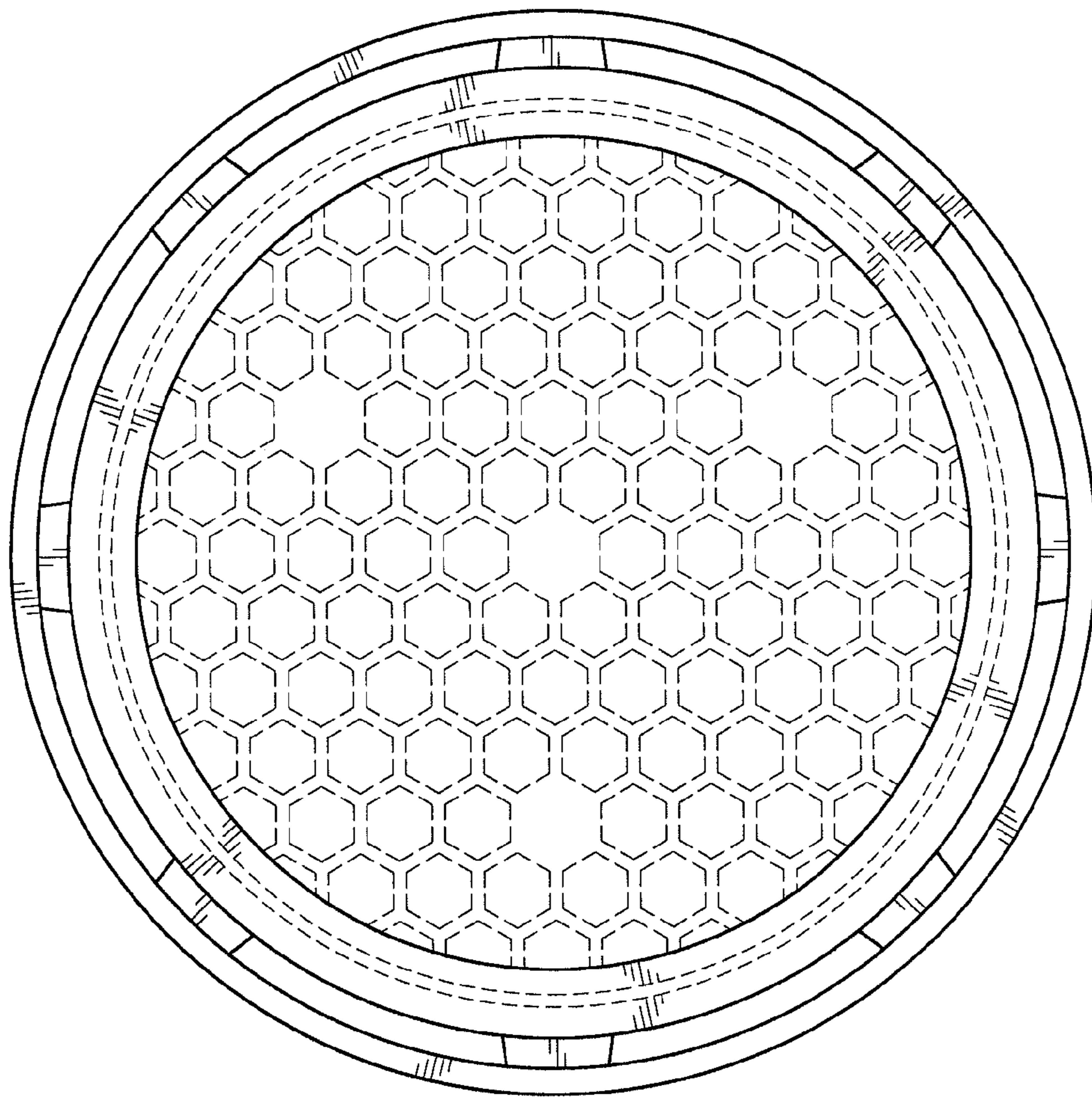


Fig. 3

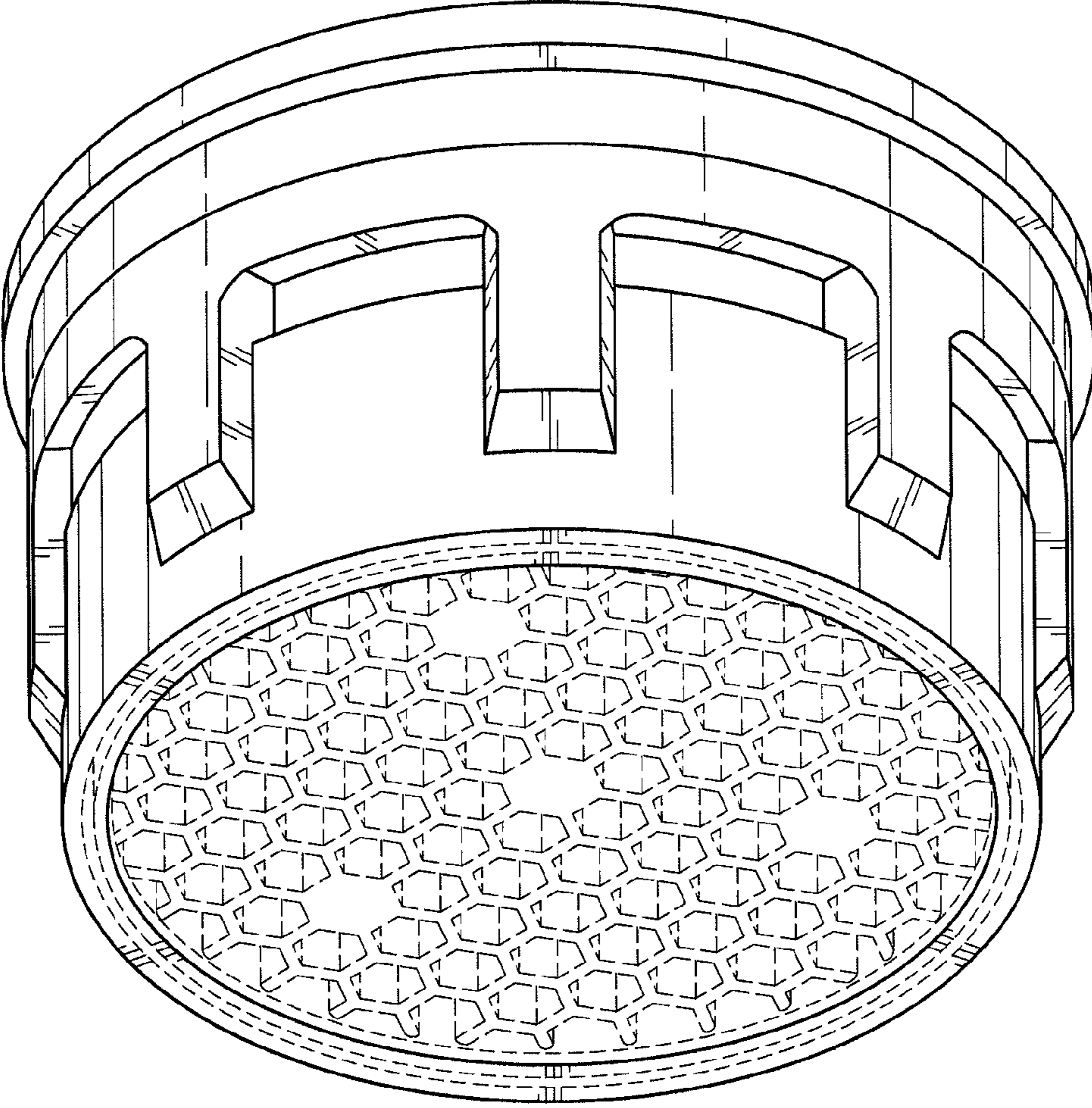


Fig. 4

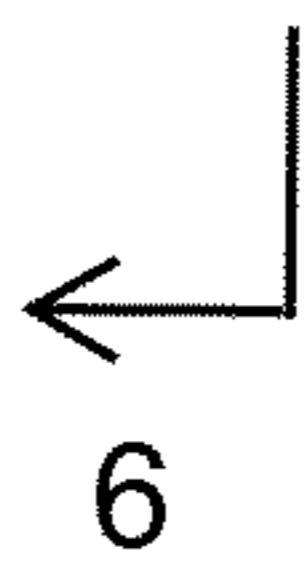
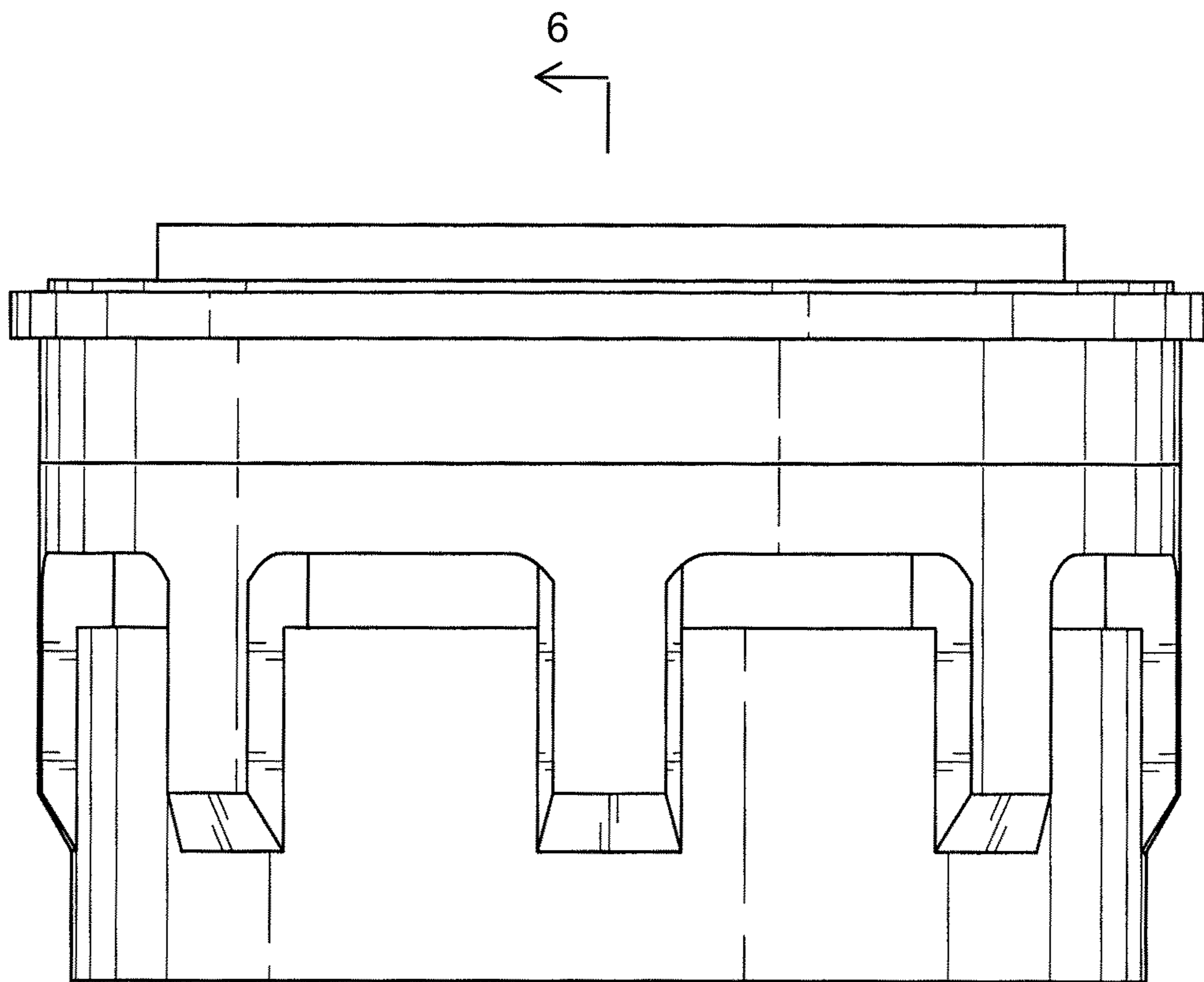


Fig. 5

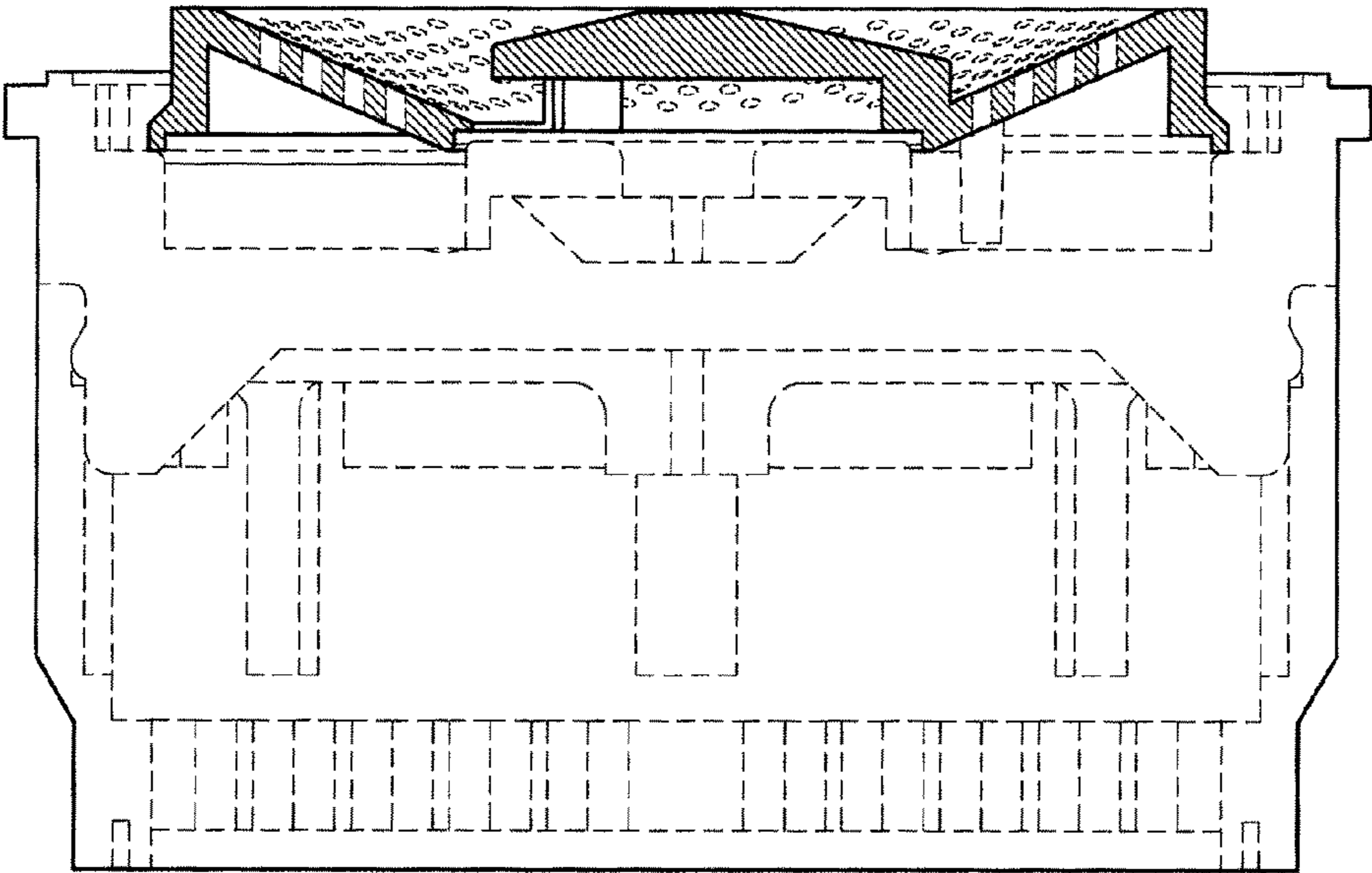


Fig. 6

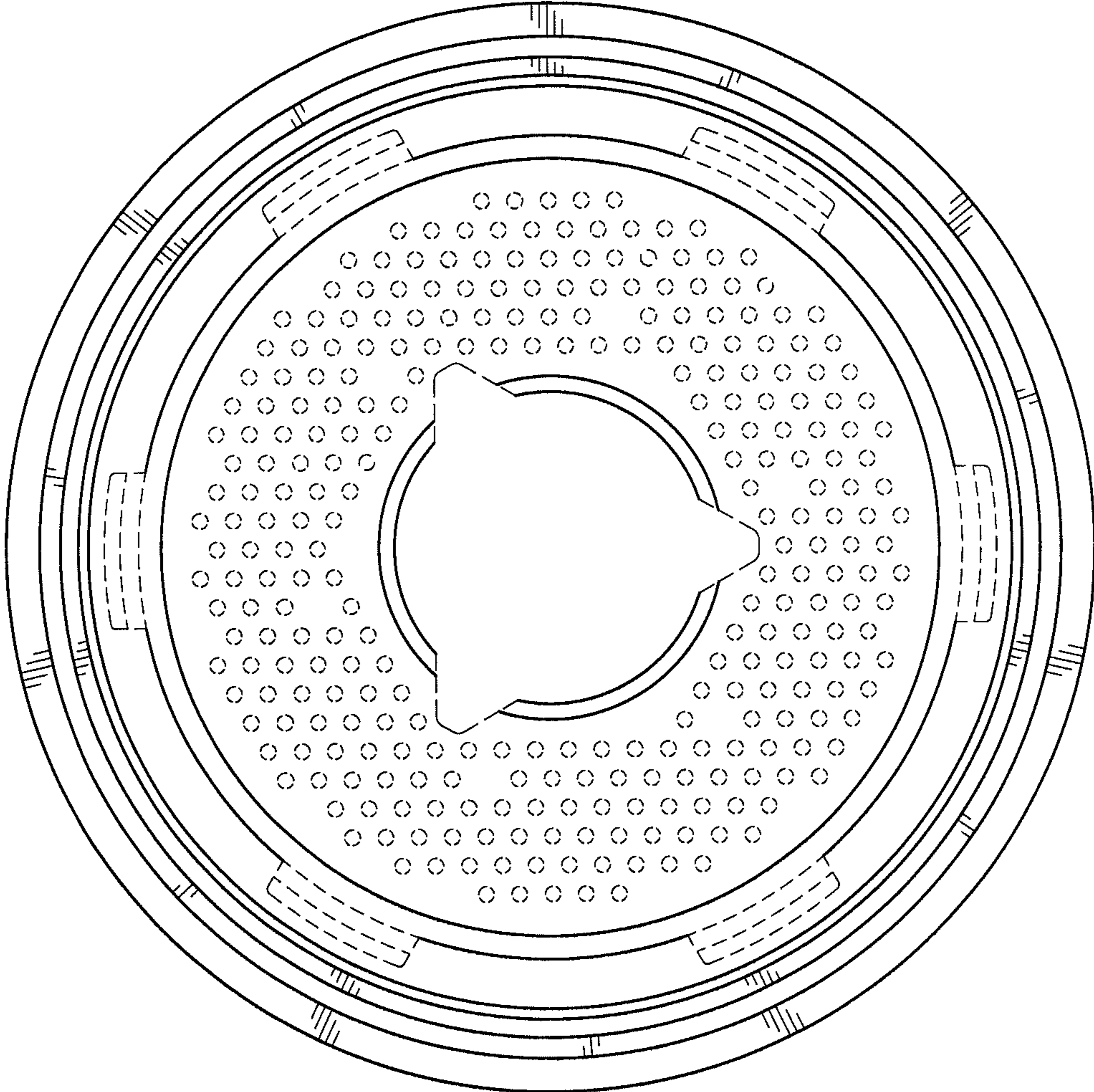


Fig. 7



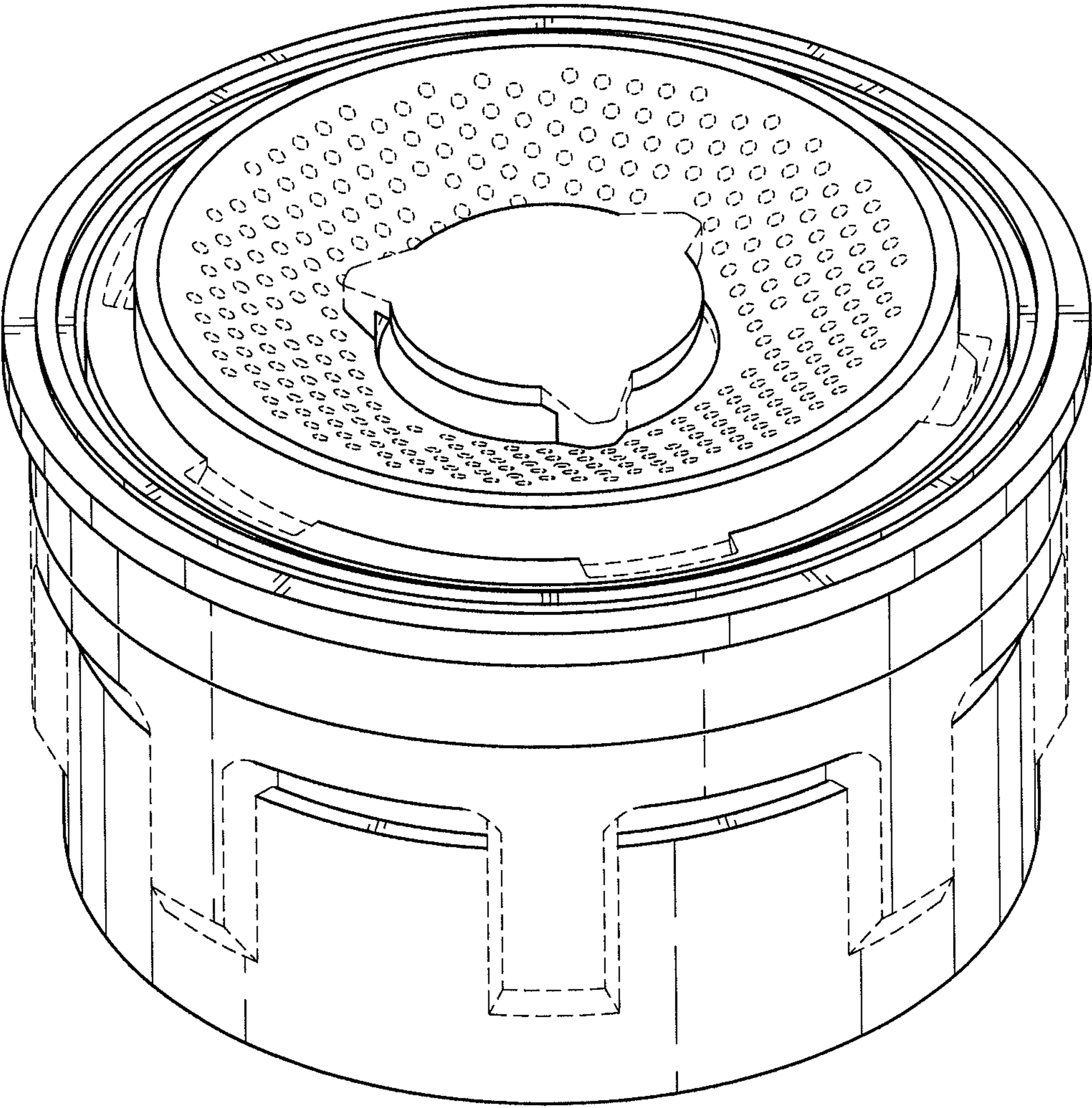


Fig. 8

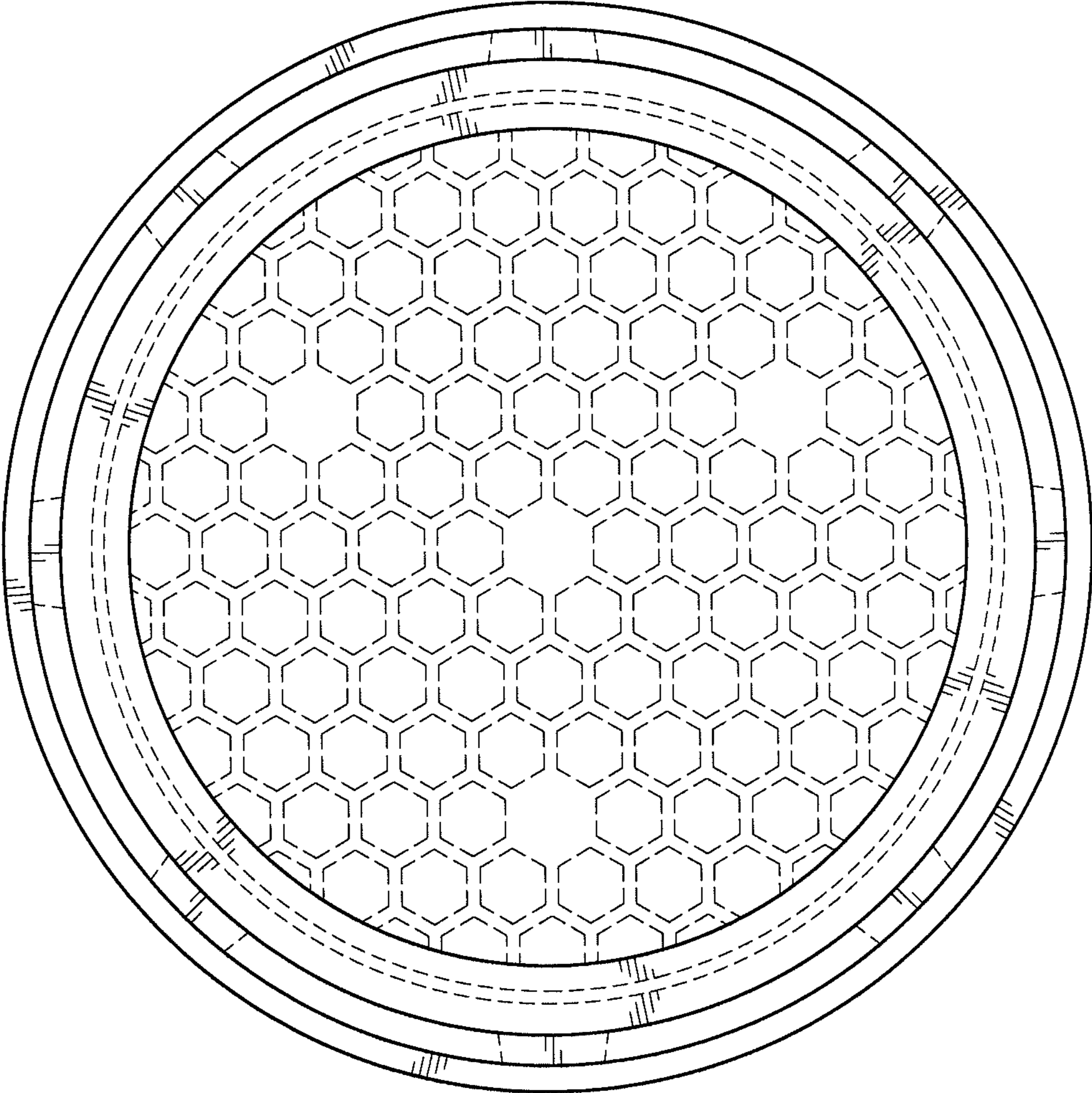


Fig. 9

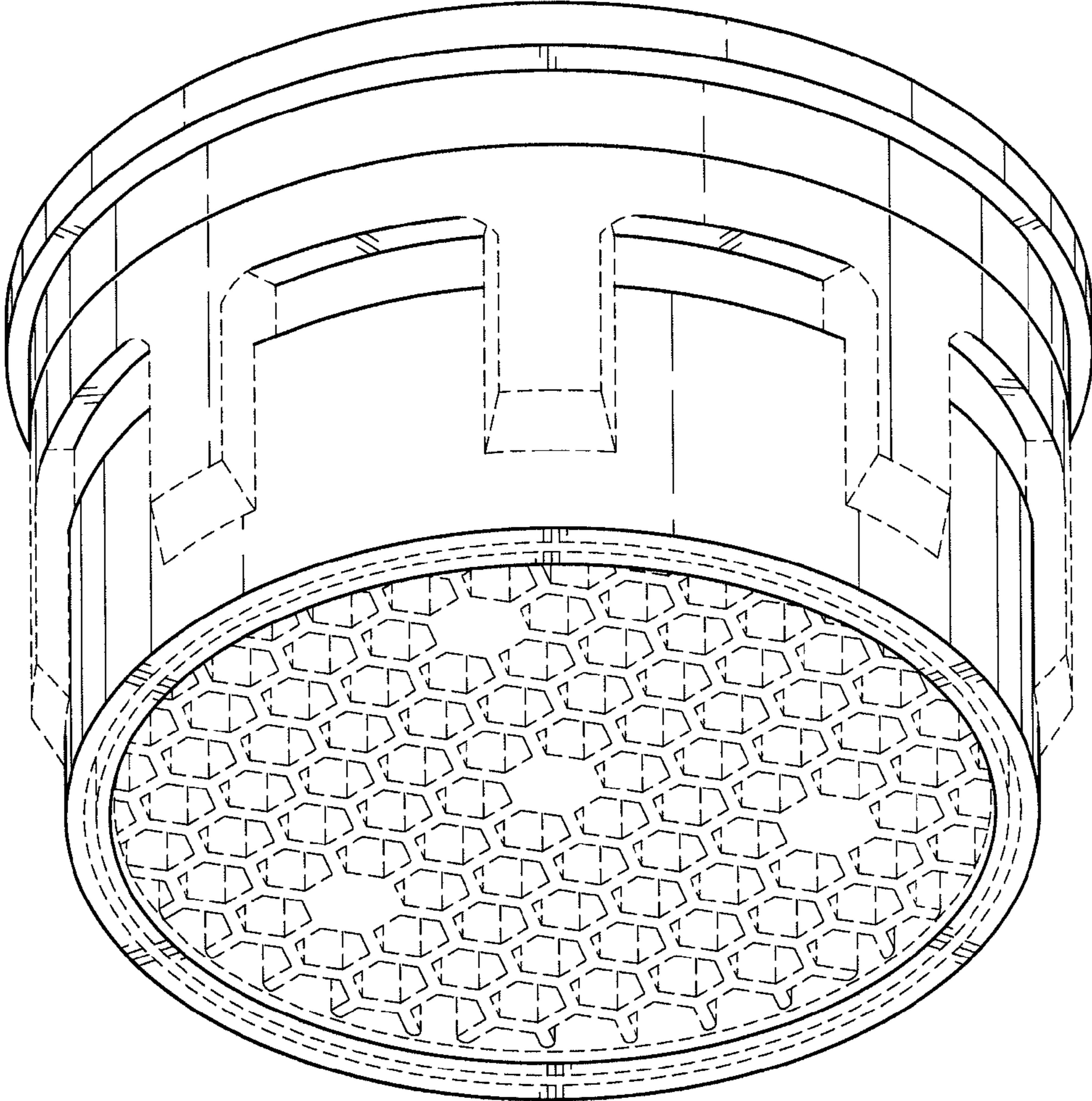
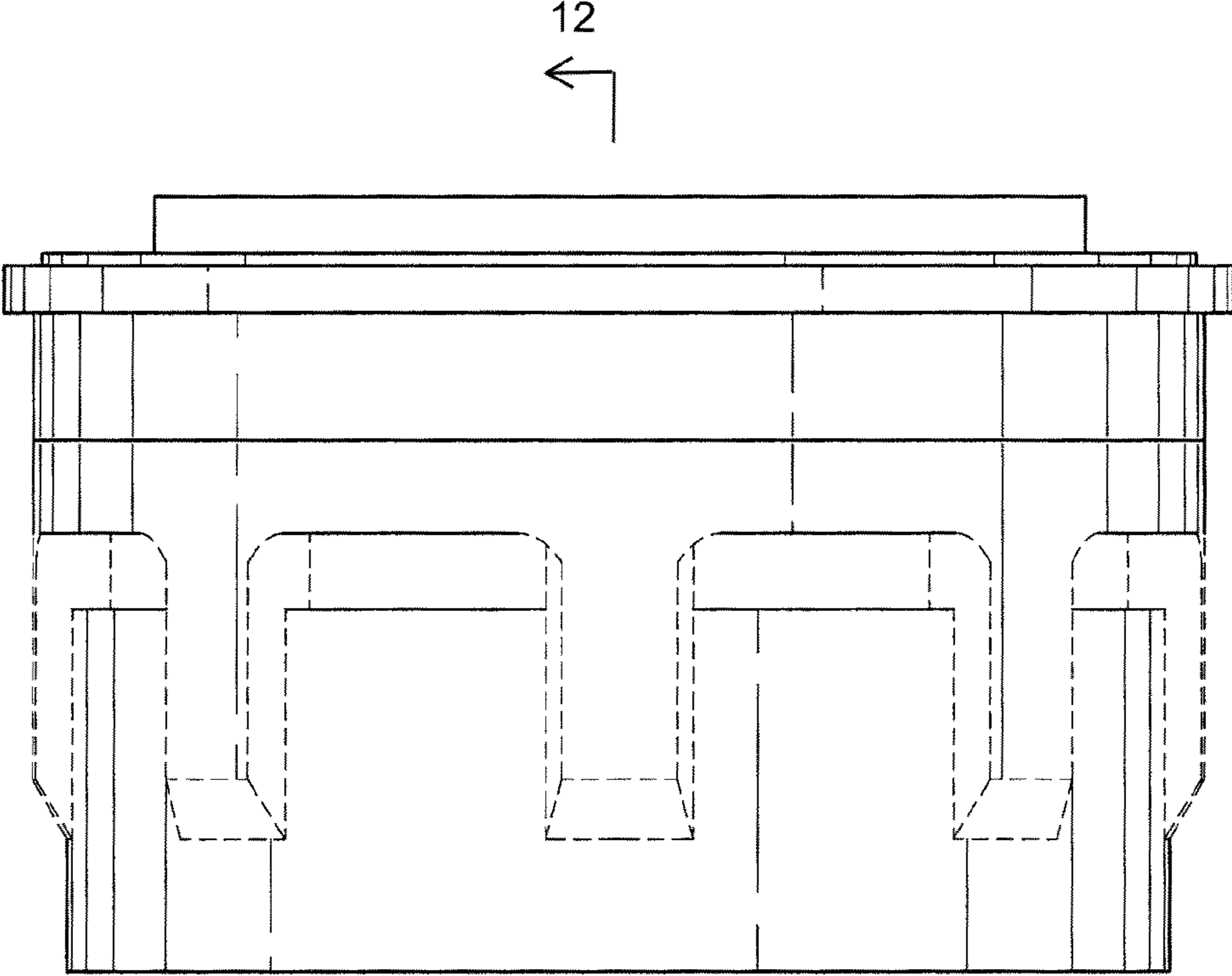


Fig. 10



12  
←

←  
12

Fig. 11

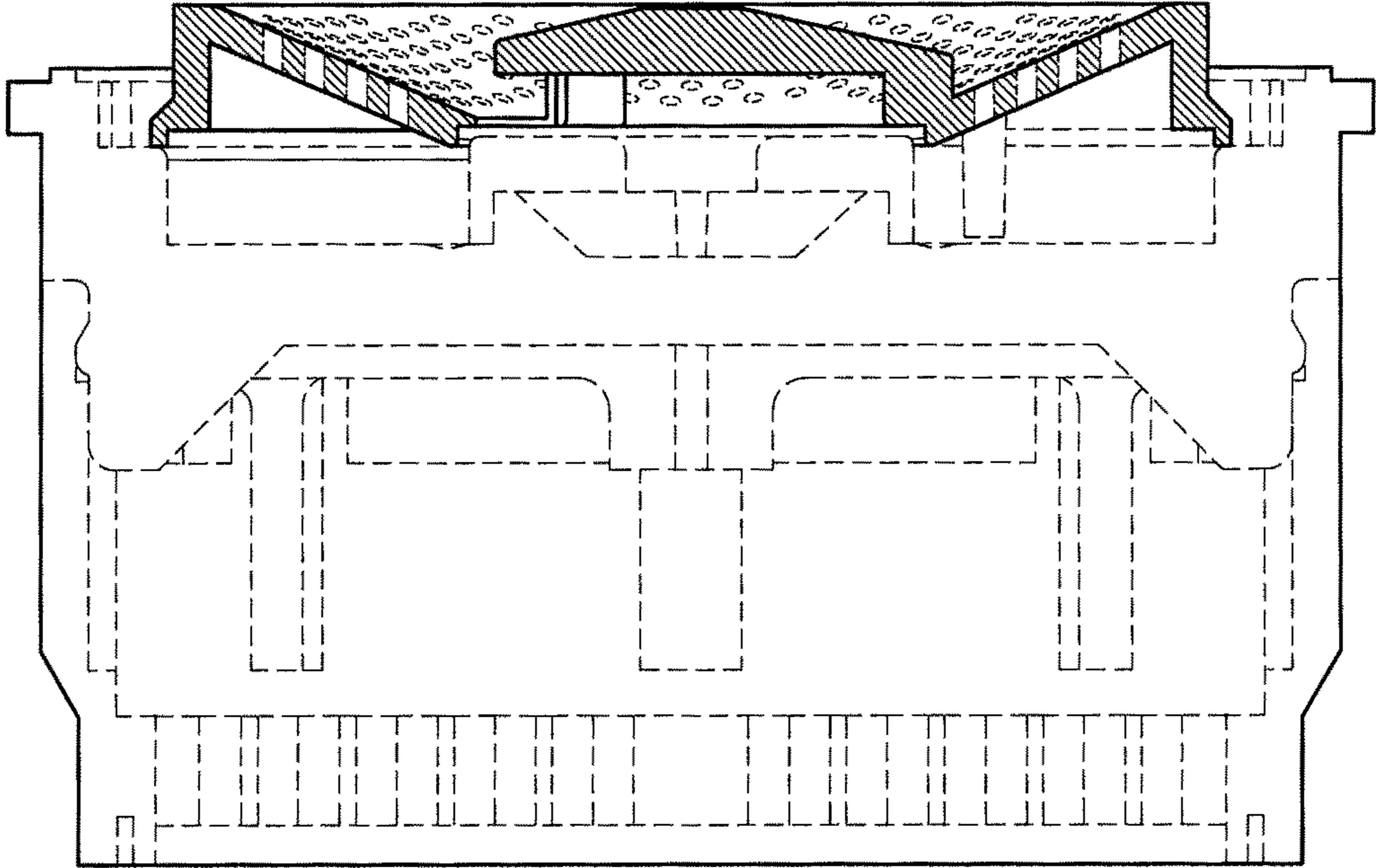


Fig. 12