



US00D692527S

(12) **United States Design Patent**
Hanna et al.

(10) **Patent No.:** **US D692,527 S**
(45) **Date of Patent:** **** Oct. 29, 2013**

- (54) **SHOWER FACEPLATE**
- (75) Inventors: **Kenneth S. Hanna**, Kohler, WI (US);
Gregory de Swarte, Sheboygan, WI (US); **Leila M. Rubin**, New York, NY (US)
- (73) Assignee: **Kohler Co.**, Kohler, WI (US)
- (**) Term: **14 Years**
- (21) Appl. No.: **29/415,587**
- (22) Filed: **Mar. 12, 2012**
- (51) **LOC (9) Cl.** **23-01**
- (52) **U.S. Cl.**
USPC **D23/213**
- (58) **Field of Classification Search**
USPC D23/213, 223, 229, 230; 239/282, 283,
239/462
See application file for complete search history.

5,779,146 A 7/1998 Cutler
5,862,985 A 1/1999 Neibrook et al.
6,021,960 A 2/2000 Kehat

(Continued)

OTHER PUBLICATIONS

Shower head photos, known at least as early as Mar. 12, 2012.

Primary Examiner — Robin V Webster

(74) *Attorney, Agent, or Firm* — Michael Best & Friedrich LLP

(57) **CLAIM**

We claim the ornamental design for a shower faceplate, as shown and described.

DESCRIPTION

FIG. 1 is a front perspective view of a faceplate for a shower device, such as a handshower.

FIG. 2 is a front view of the faceplate shown in FIG. 1.

FIG. 3 is a right side view of the faceplate shown in FIG. 1, the left side view being substantially a mirror image thereof.

FIG. 4 is a top view of the faceplate shown in FIG. 1.

FIG. 5 is a bottom view of the faceplate shown in FIG. 1.

FIG. 6 is a front perspective view of the faceplate shown in FIG. 1, shown as being opaque to illustrate the contour of the front surface.

FIG. 7 is a front view of the faceplate shown in FIG. 6.

FIG. 8 is a rear perspective view of the faceplate shown in FIG. 6.

FIG. 9 is a rear view of the faceplate shown in FIG. 6; and,

FIG. 10 is a right side view of the faceplate shown in FIG. 6, the left side, top and bottom views being substantially the same.

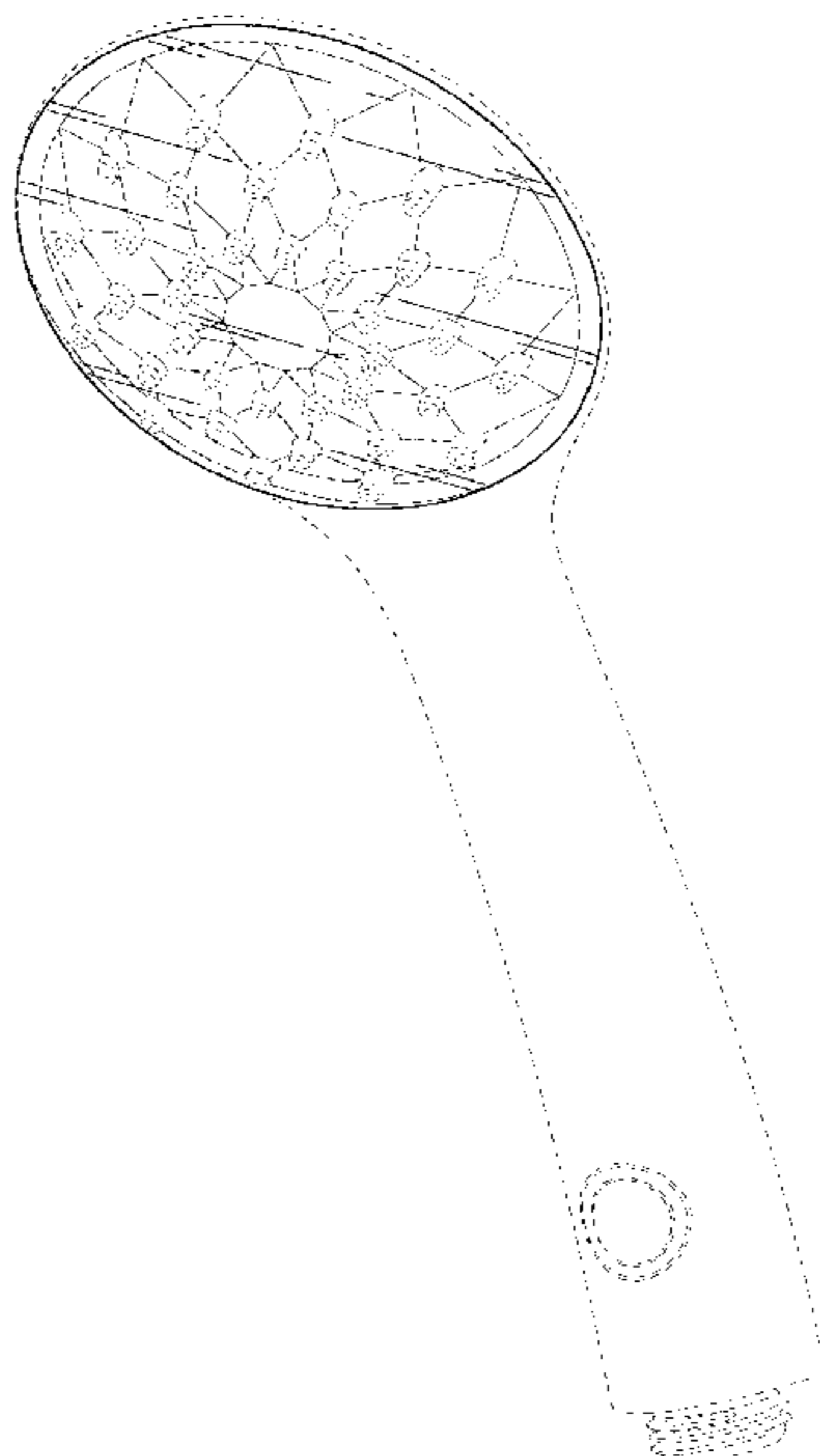
The broken line showing of the environment is for illustrative purposes only and forms no part of the claimed design.

(56) **References Cited**

U.S. PATENT DOCUMENTS

3,088,675 A	5/1963	Bone
3,608,650 A	9/1971	Matsusaka
3,944,140 A	3/1976	Caton et al.
4,272,022 A	6/1981	Evans
D267,581 S	1/1983	Mackay et al.
4,545,083 A	10/1985	Searson
4,561,593 A	12/1985	Cammack et al.
4,618,100 A	10/1986	White et al.
4,733,818 A	3/1988	Aghnides
4,733,819 A	3/1988	Aghnides
4,964,181 A	10/1990	Alpert
4,998,673 A	3/1991	Pilolla
5,215,258 A	6/1993	Jursich
5,329,650 A	7/1994	Zaccai et al.
5,535,779 A	7/1996	Huang
5,664,015 A	9/1997	Ford et al.

1 Claim, 7 Drawing Sheets



(56)

References Cited

U.S. PATENT DOCUMENTS

D423,083 S	4/2000	Haug et al.	6,983,898 B2	1/2006	Clark
D424,160 S	5/2000	Haug et al.	7,048,210 B2	5/2006	Clark
D424,161 S	5/2000	Haug et al.	7,100,845 B1	9/2006	Hsieh
D424,162 S	5/2000	Haug et al.	7,111,798 B2	9/2006	Thomas et al.
D424,163 S	5/2000	Haug et al.	7,178,746 B2	2/2007	Gross
D424,164 S	5/2000	Haug et al.	D551,737 S	9/2007	Haug et al.
6,061,457 A	5/2000	Stockhamer	7,269,862 B2	9/2007	Rooke et al.
D428,110 S	7/2000	Haug et al.	D557,763 S	12/2007	Schönherr et al.
6,090,210 A	7/2000	Ballance et al.	D557,764 S	12/2007	Schönherr et al.
6,126,290 A	10/2000	Veigel	D557,765 S	12/2007	Schönherr et al.
D439,305 S *	3/2001	Slothower D23/213	D562,937 S	2/2008	Schönherr et al.
D440,277 S *	4/2001	Slothower D23/213	D562,938 S	2/2008	Blessing
D440,278 S *	4/2001	Slothower D23/213	D576,251 S	9/2008	Schönherr et al.
D443,027 S	5/2001	Kollmann et al.	D590,477 S	4/2009	Schoenherr et al.
D443,029 S	5/2001	Kollmann et al.	D590,916 S	4/2009	Schoenherr et al.
6,263,524 B1	7/2001	Abdul	D590,917 S	4/2009	Schoenherr et al.
D457,598 S	5/2002	Storti et al.	D592,276 S	5/2009	Schoenherr et al.
6,439,472 B1	8/2002	Lin et al.	7,578,453 B1	8/2009	Wilson
D489,793 S	5/2004	Haug et al.	7,740,186 B2	6/2010	Macan et al.
D492,004 S	6/2004	Haug et al.	7,762,479 B2	7/2010	Li
D492,006 S	6/2004	Haug et al.	7,918,408 B2	4/2011	Tshieh
D492,008 S	6/2004	Haug et al.	7,946,512 B2	5/2011	Schorn
D495,776 S *	9/2004	Blomstrom D23/213	8,028,935 B2	10/2011	Leber
D497,974 S	11/2004	Haug et al.	8,048,010 B2	11/2011	Ohashi et al.
D498,514 S	11/2004	Haug et al.	2004/0217209 A1	11/2004	Bui
6,879,818 B2	4/2005	Wageneck	2004/0252422 A1	12/2004	Talbot et al.
D506,924 S	7/2005	Berner	2005/0156062 A1	7/2005	Thomas et al.
D509,424 S	9/2005	Berner	2008/0011880 A1	1/2008	Butzke et al.
D511,809 S	11/2005	Haug et al.	2008/0225517 A1	9/2008	Clark
D513,525 S	1/2006	Haug et al.	2009/0114743 A1	5/2009	Thomas et al.
			2010/0037389 A1	2/2010	Gross
			2010/0167551 A1	7/2010	DeDontney
			2011/0031331 A1	2/2011	Klicpera

* cited by examiner

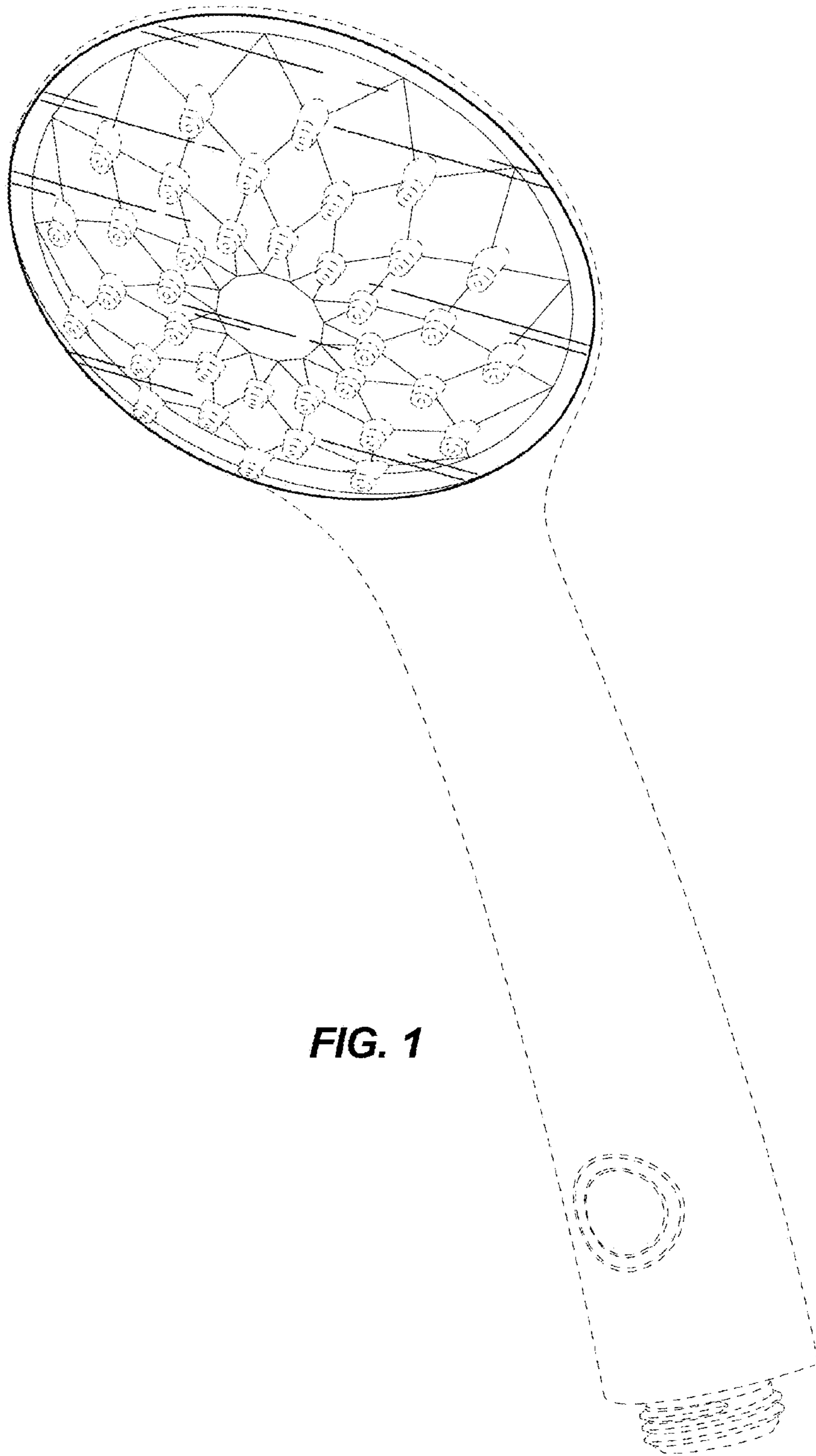


FIG. 1

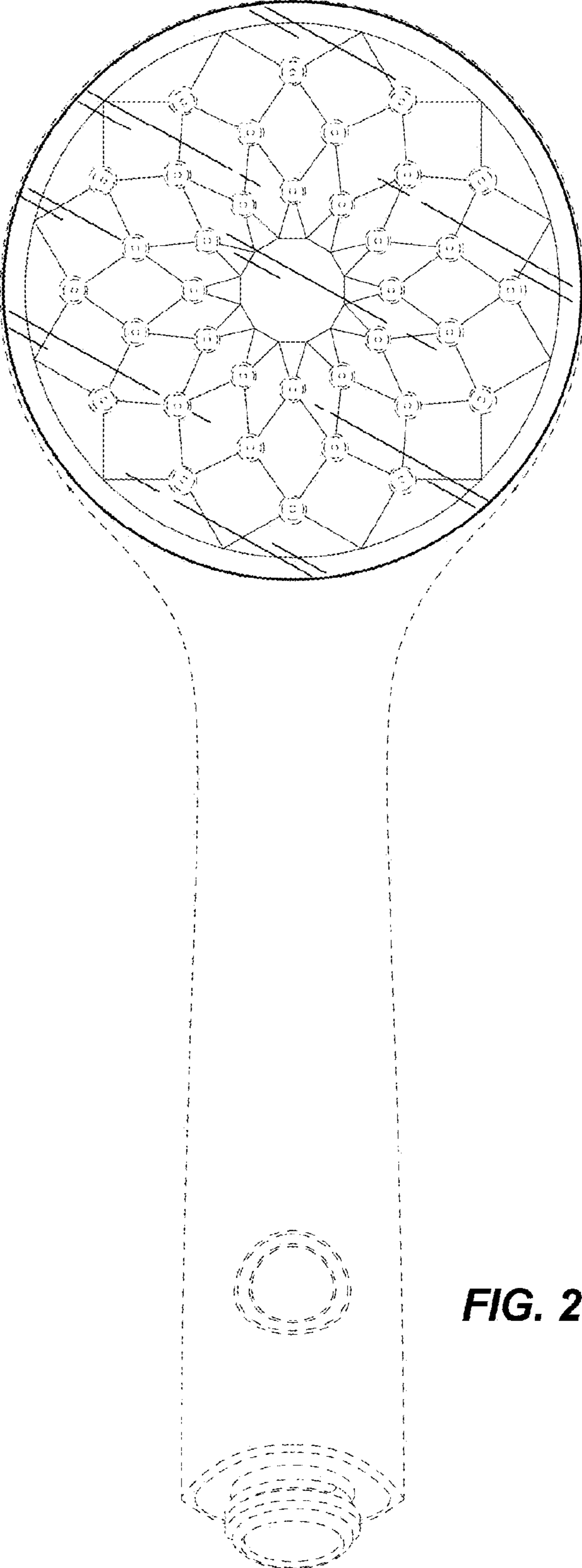


FIG. 2

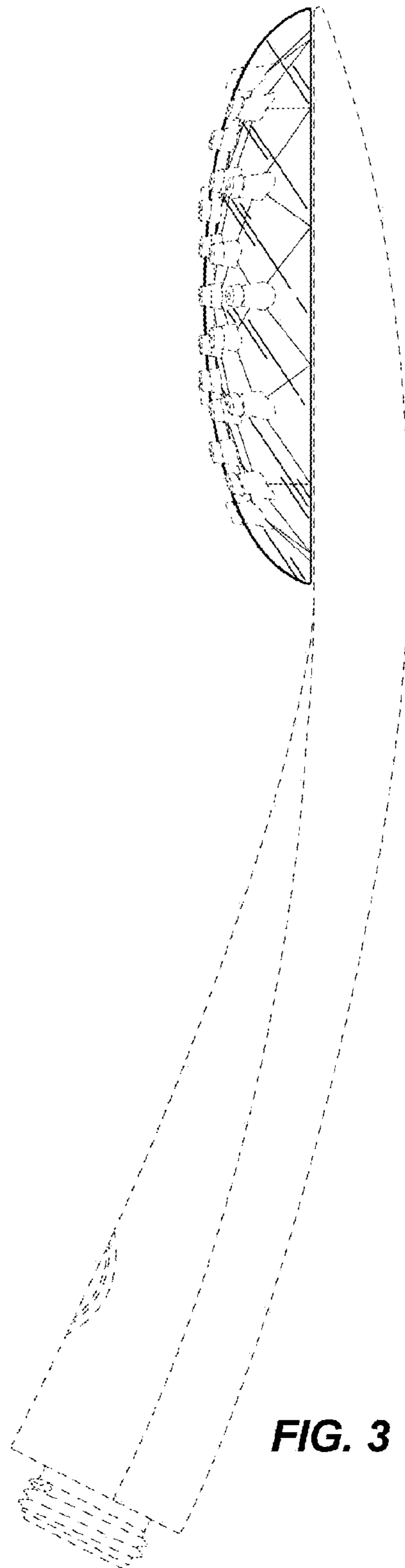


FIG. 3

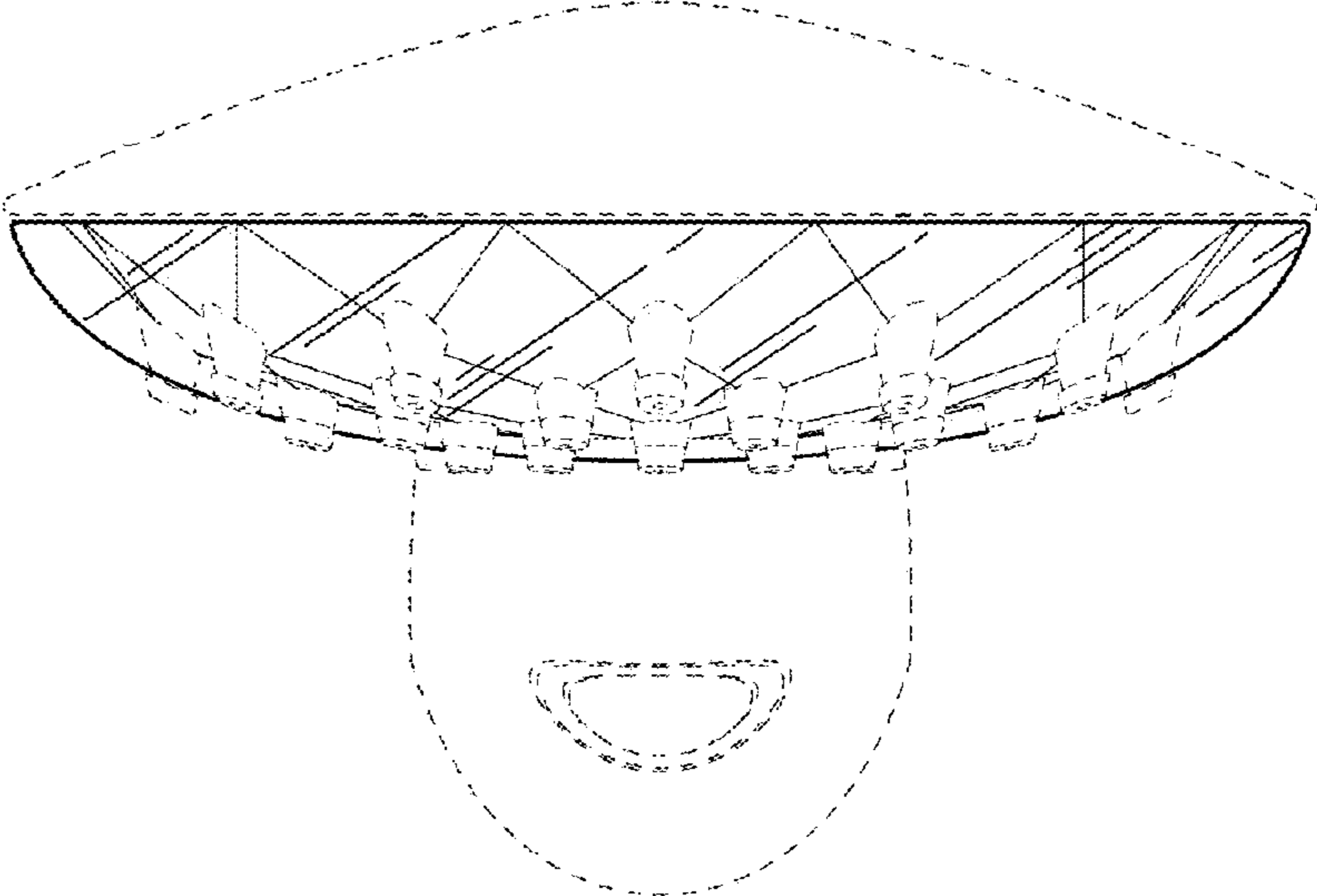


FIG. 4

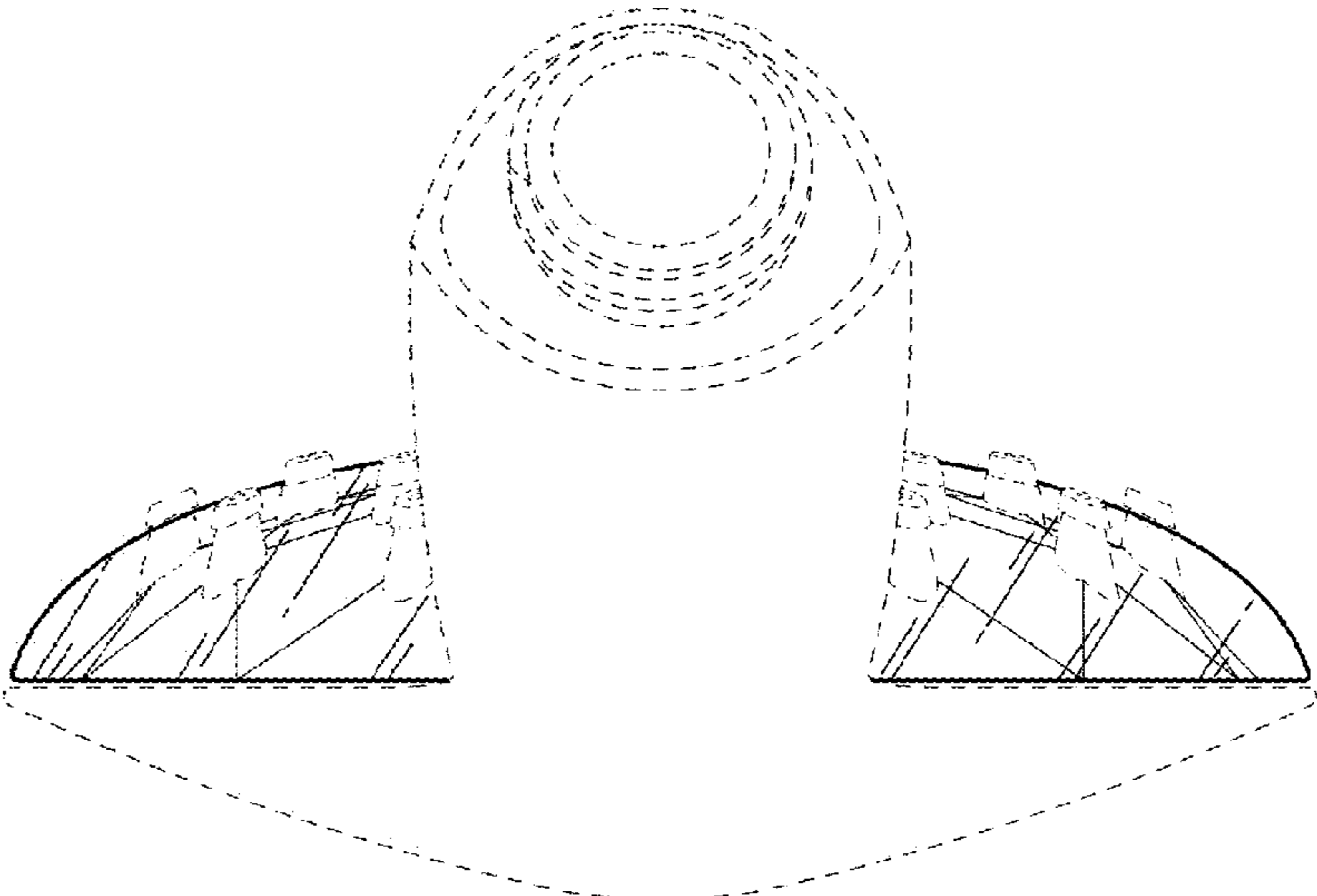


FIG. 5

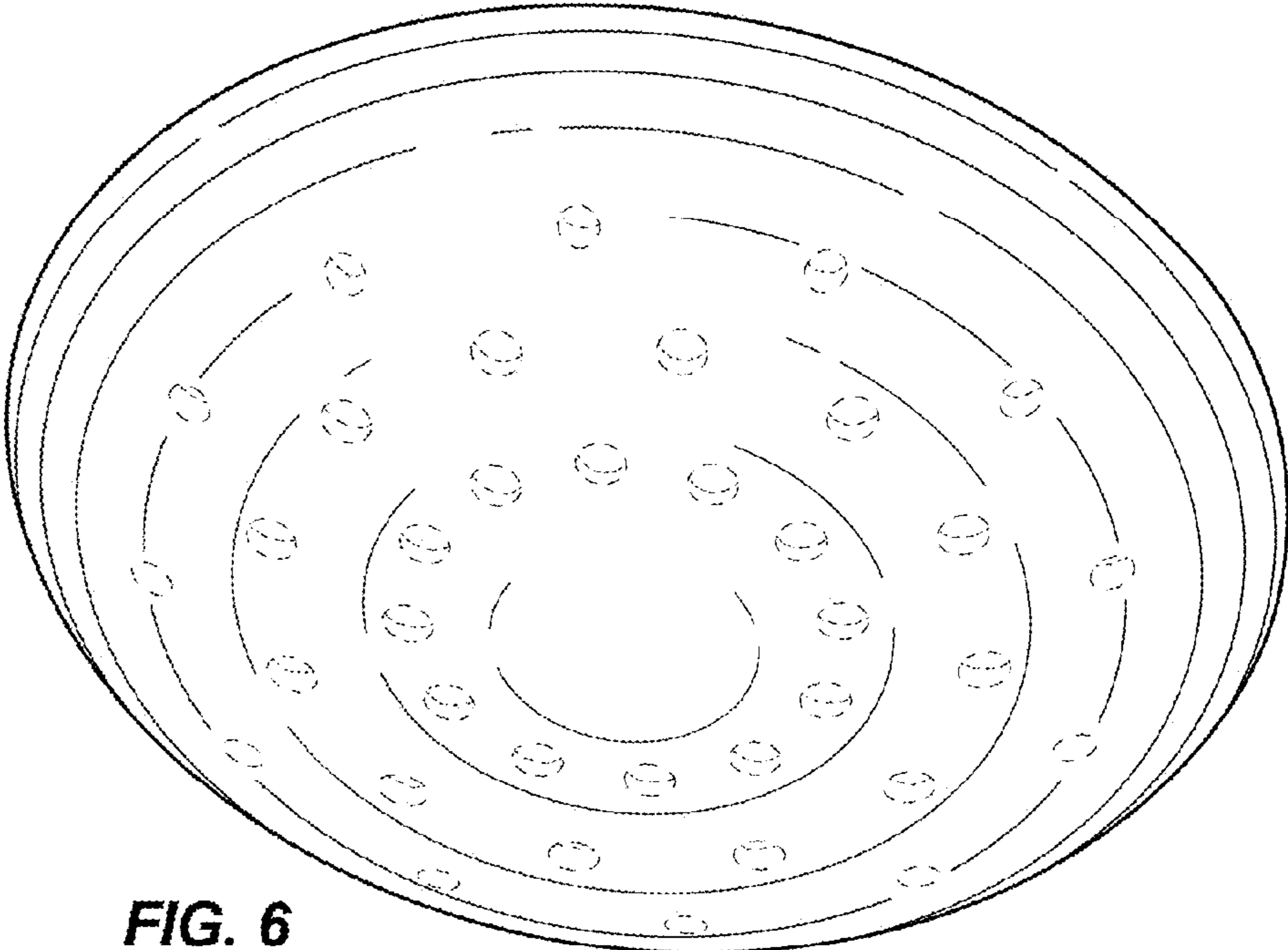


FIG. 6

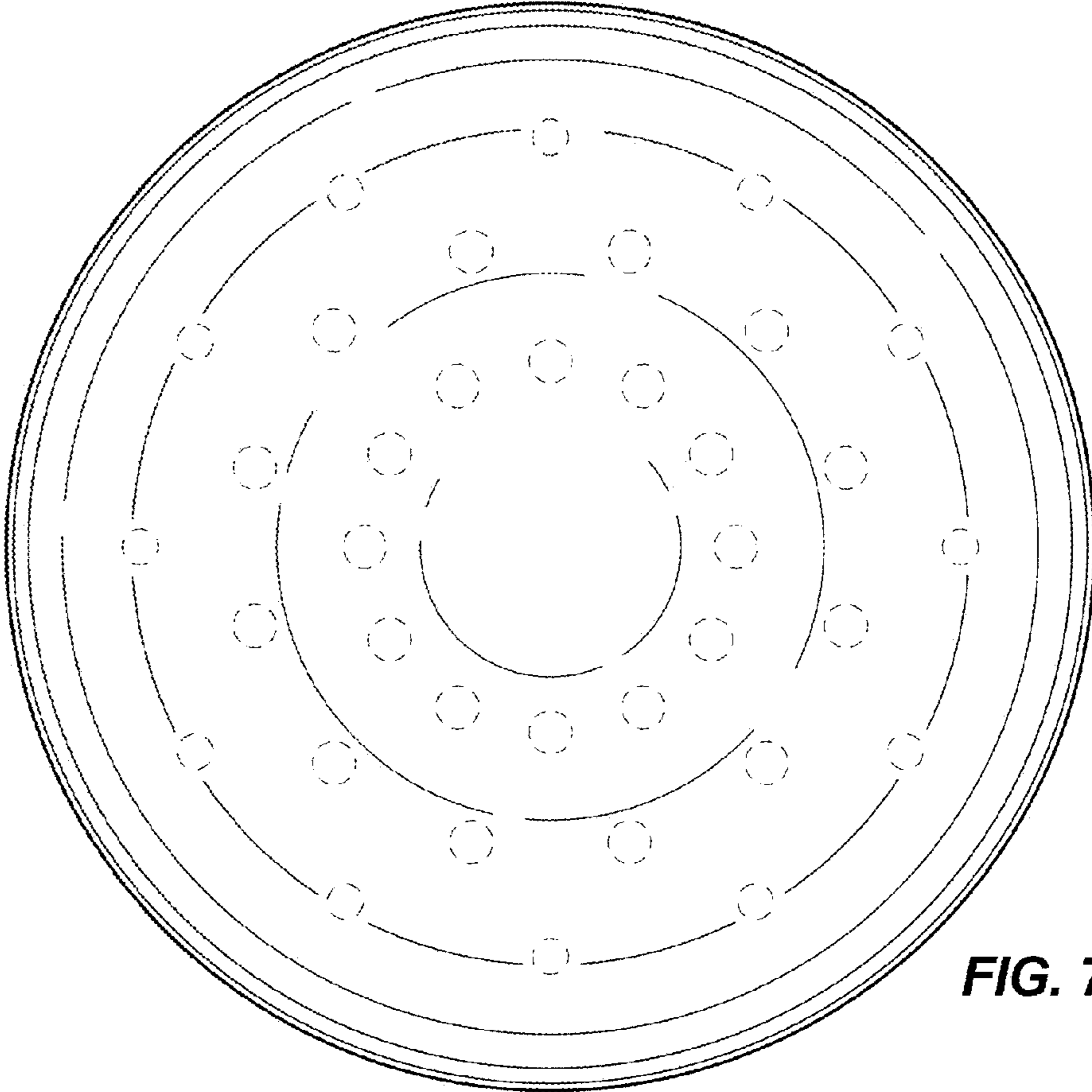


FIG. 7

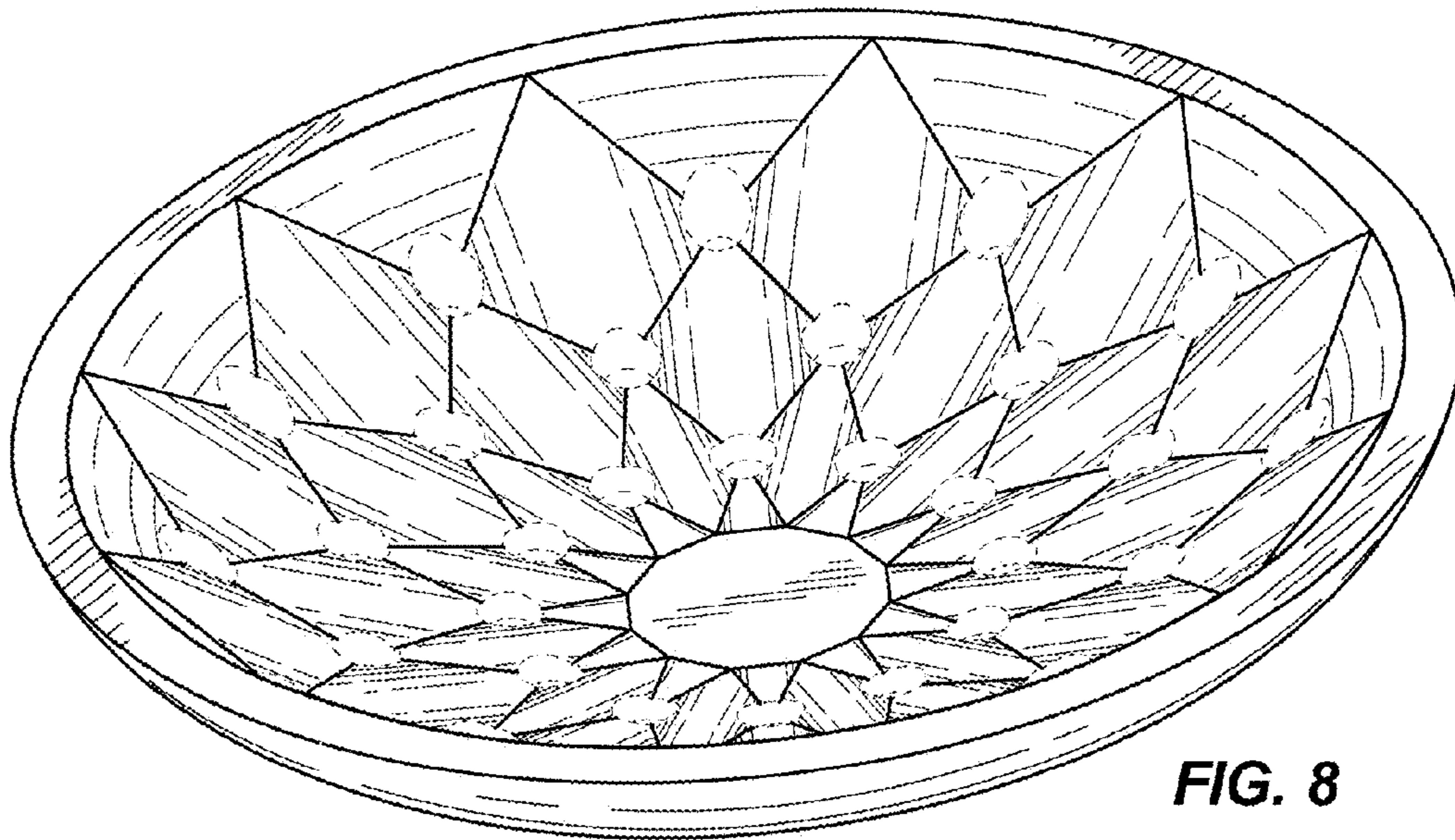


FIG. 8

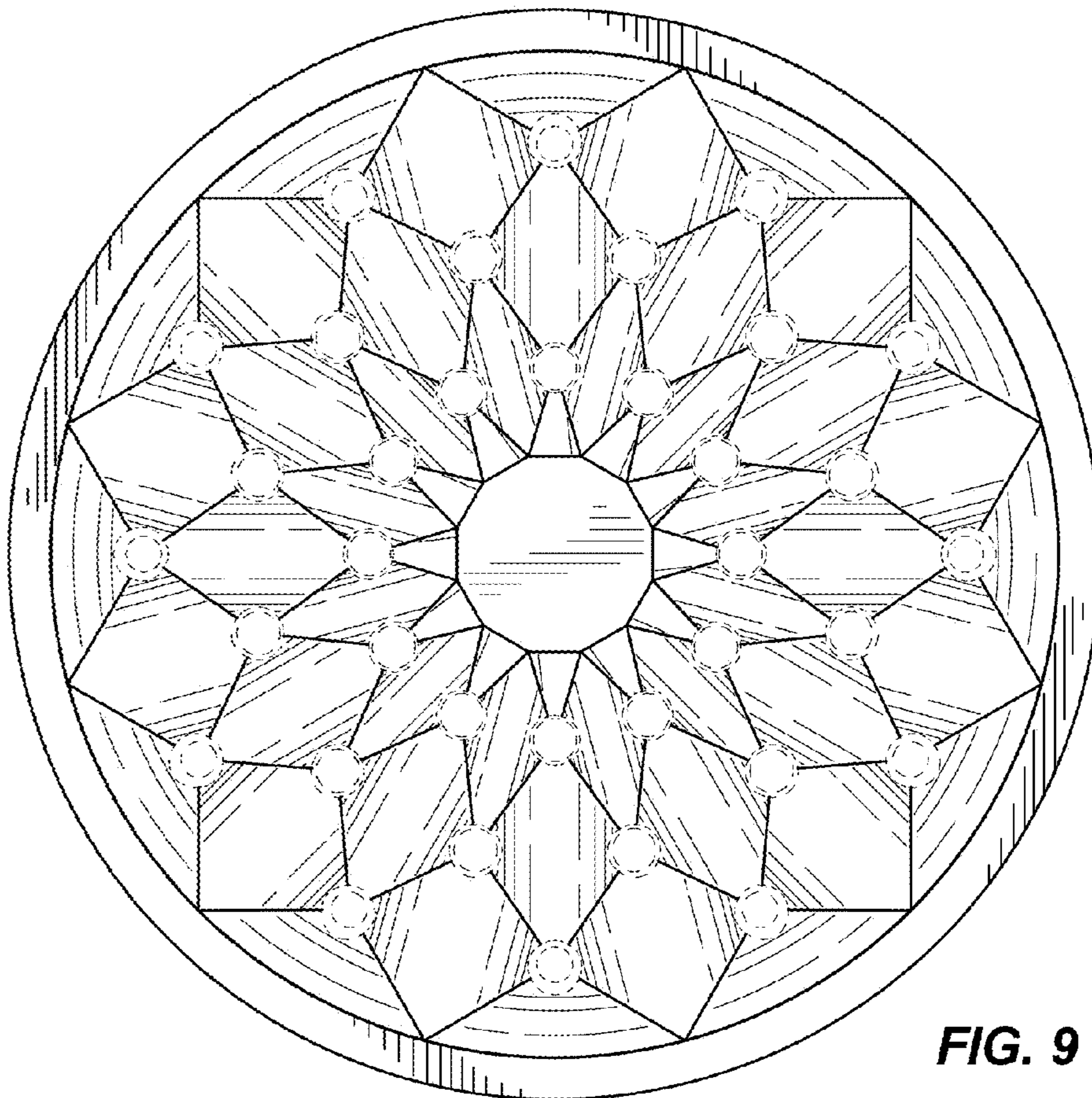


FIG. 9

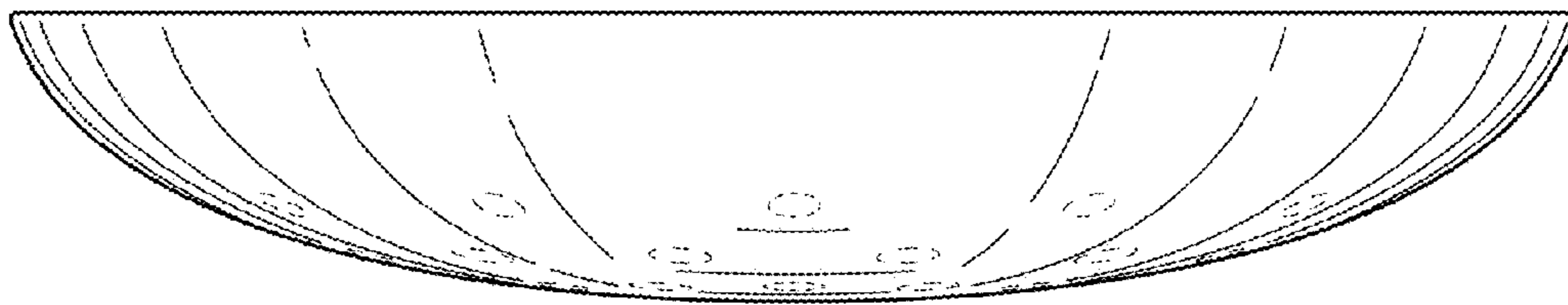


FIG. 10