



US00D692526S

(12) **United States Design Patent**
Stein et al.

(10) **Patent No.:** **US D692,526 S**

(45) **Date of Patent:** **** Oct. 29, 2013**

(54) **FLUID DISTRIBUTOR**

(75) Inventors: **Alexander Stein**, Ihringen (DE);
Thomas Schnell, MuttENZ (CH)

(73) Assignee: **Neoperl GmbH**, Mullheim (DE)

(**) Term: **14 Years**

(21) Appl. No.: **29/397,963**

(22) Filed: **Jul. 25, 2011**

(30) **Foreign Application Priority Data**

Mar. 23, 2011 (EP) 001266902

(51) **LOC (9) Cl.** **23-01**

(52) **U.S. Cl.**
USPC **D23/213; D23/249**

(58) **Field of Classification Search**
USPC D23/213, 249, 207; 239/428.5, 437;
261/DIG. 22; 366/264, 265, 276

See application file for complete search history.

(56) **References Cited**

U.S. PATENT DOCUMENTS

2,450,802	A *	10/1948	Johnson	366/264
2,657,024	A *	10/1953	Reinecke	239/416
3,218,042	A *	11/1965	Ciabattari et al.	366/265
3,690,621	A *	9/1972	Tanaka et al.	366/265
D291,911	S *	9/1987	Fries	D23/207
D341,608	S *	11/1993	Fries	D15/147
7,226,205	B2 *	6/2007	Gringer et al.	366/265
D591,823	S *	5/2009	Stolarik et al.	D23/207
D641,834	S *	7/2011	Blum	D23/249

* cited by examiner

Primary Examiner — Robin V Webster

(74) *Attorney, Agent, or Firm* — Volpe and Koenig, P.C.

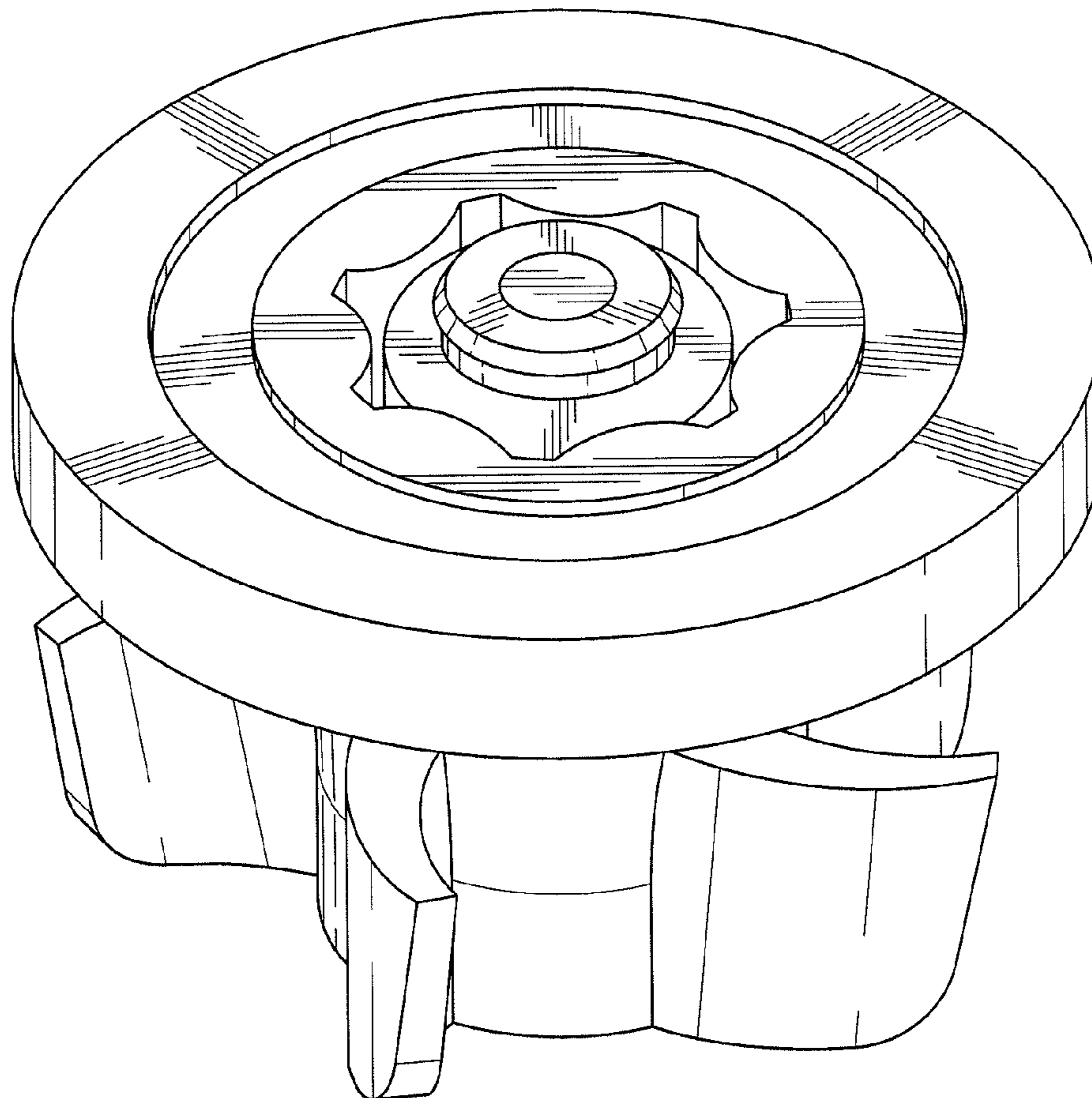
(57) **CLAIM**

The design for a fluid distributor, as shown and described.

DESCRIPTION

FIG. 1 is a top plan view of a fluid distributor in accordance with our design;
FIG. 2 is a top, front, right perspective view thereof;
FIG. 3 is a bottom view thereof;
FIG. 4 is a bottom, rear, left perspective view thereof; and,
FIG. 5 is an elevational view thereof.

1 Claim, 5 Drawing Sheets



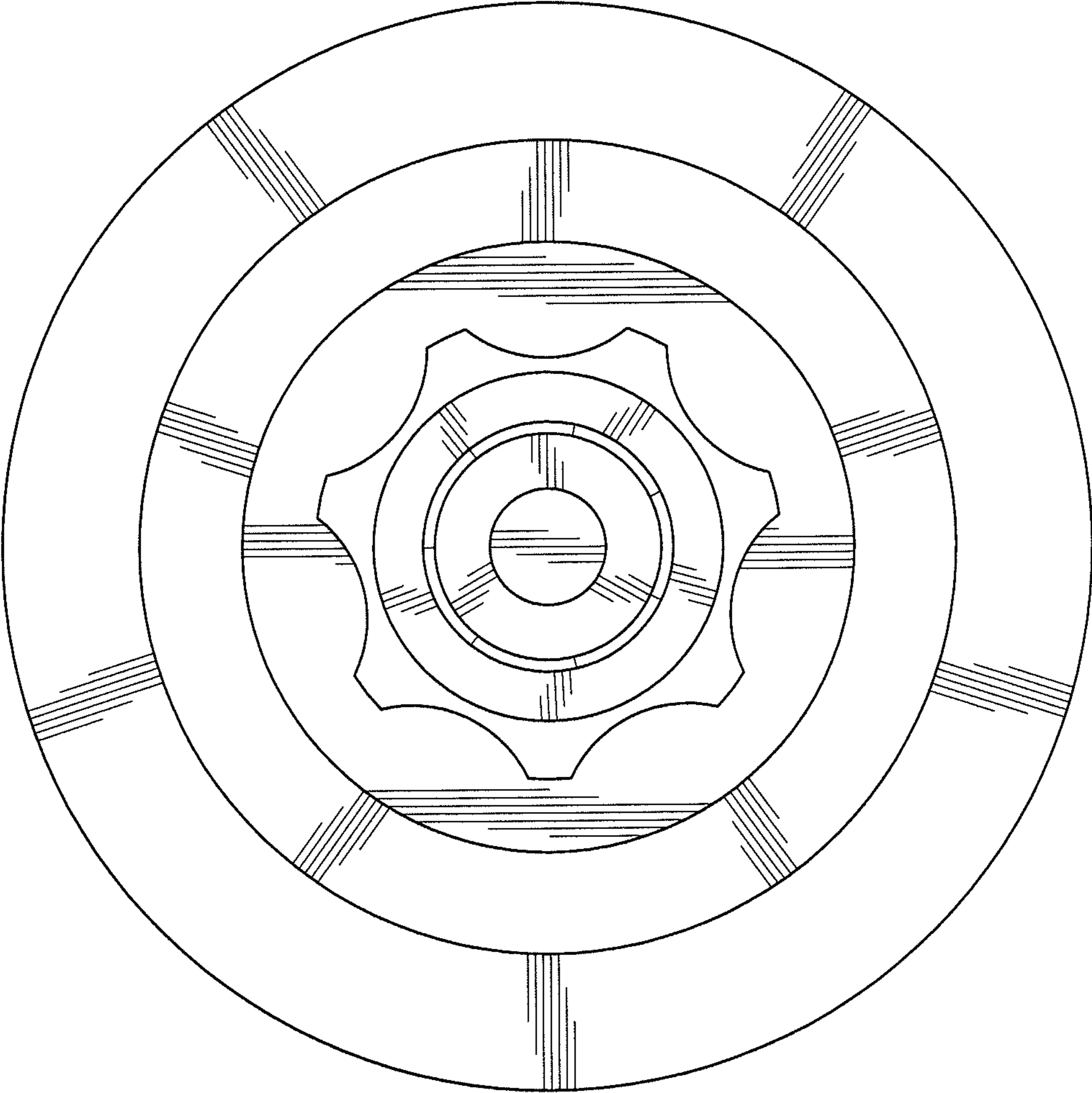


Fig. 1

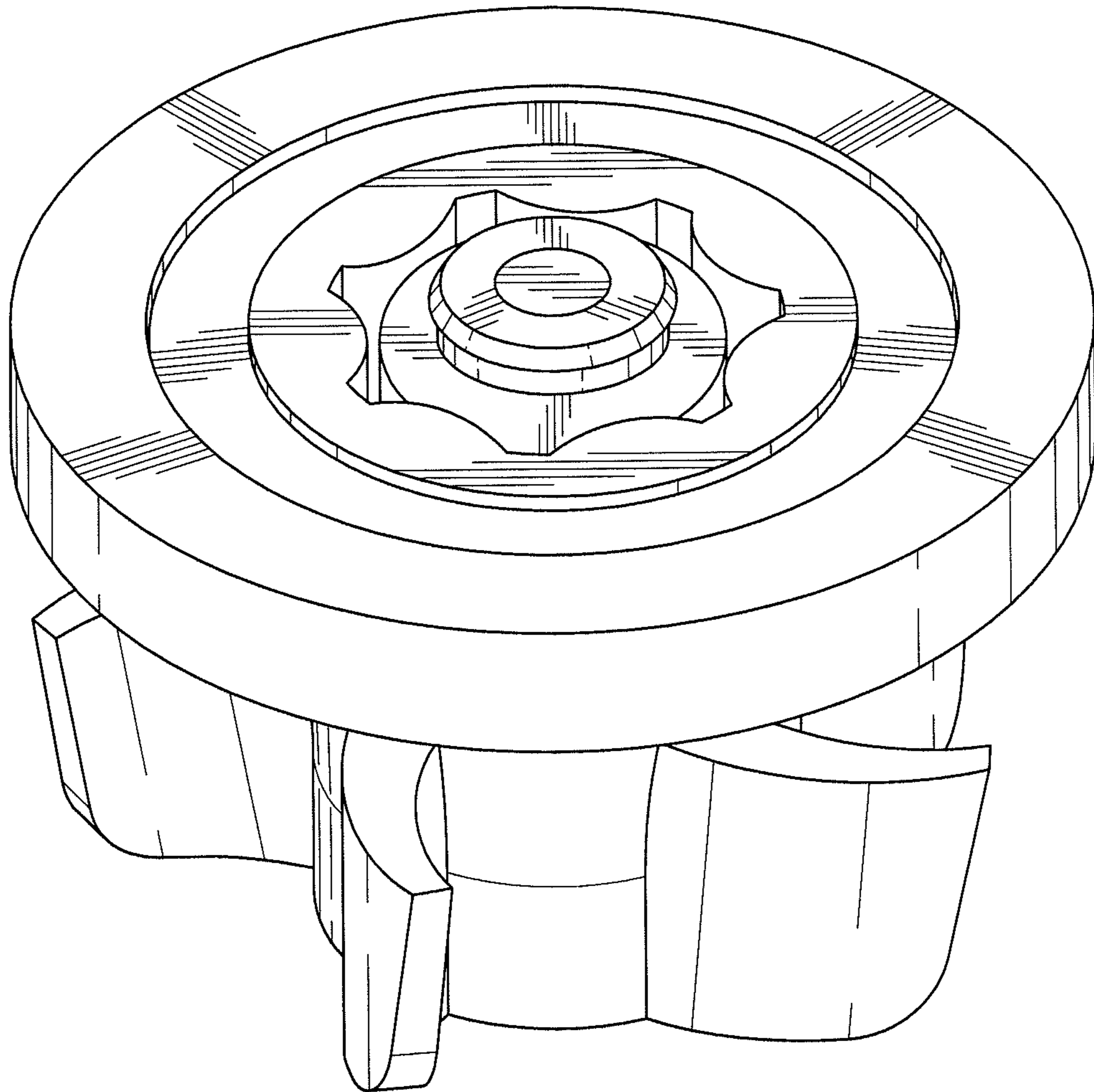


Fig. 2

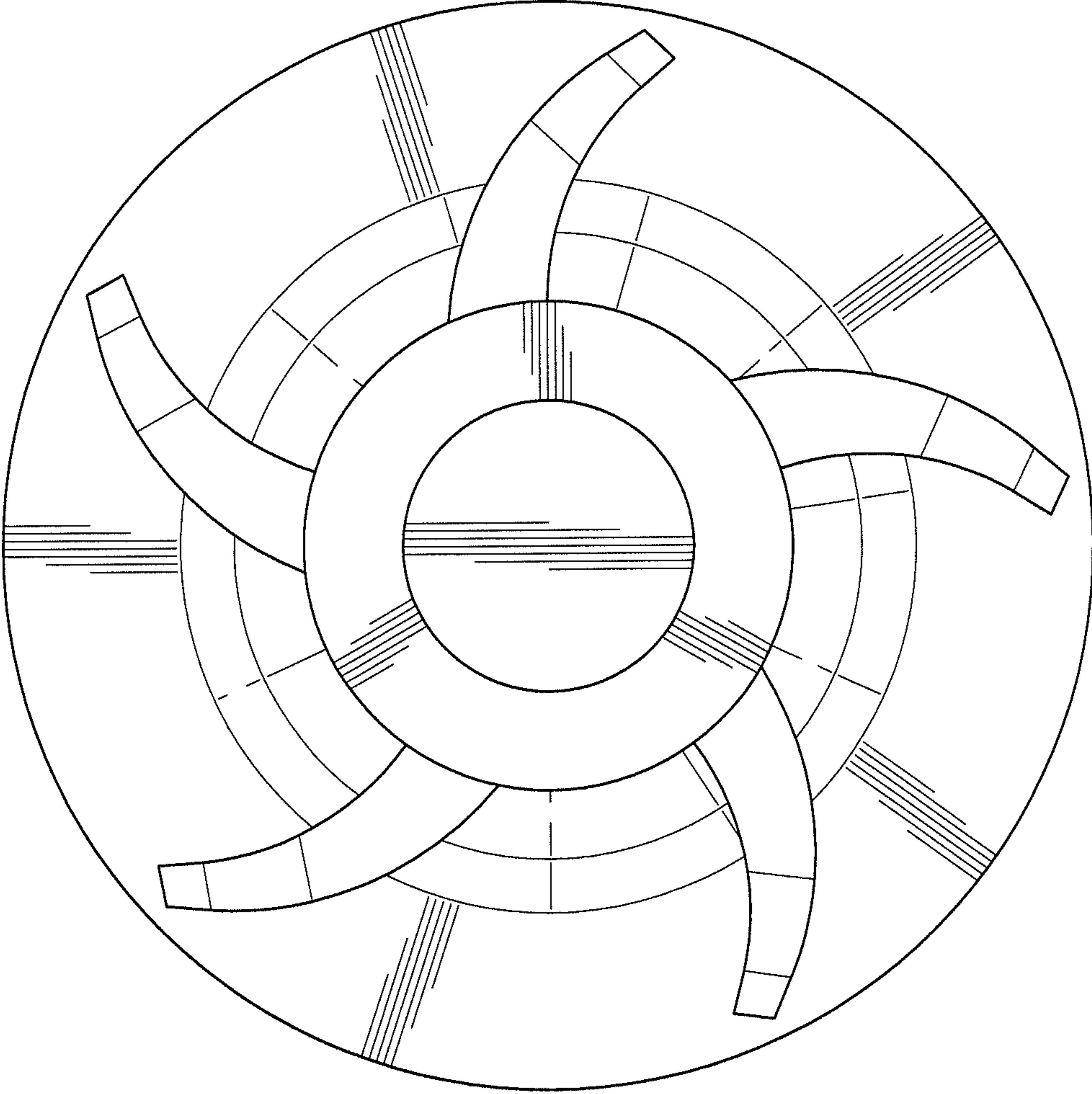


Fig. 3

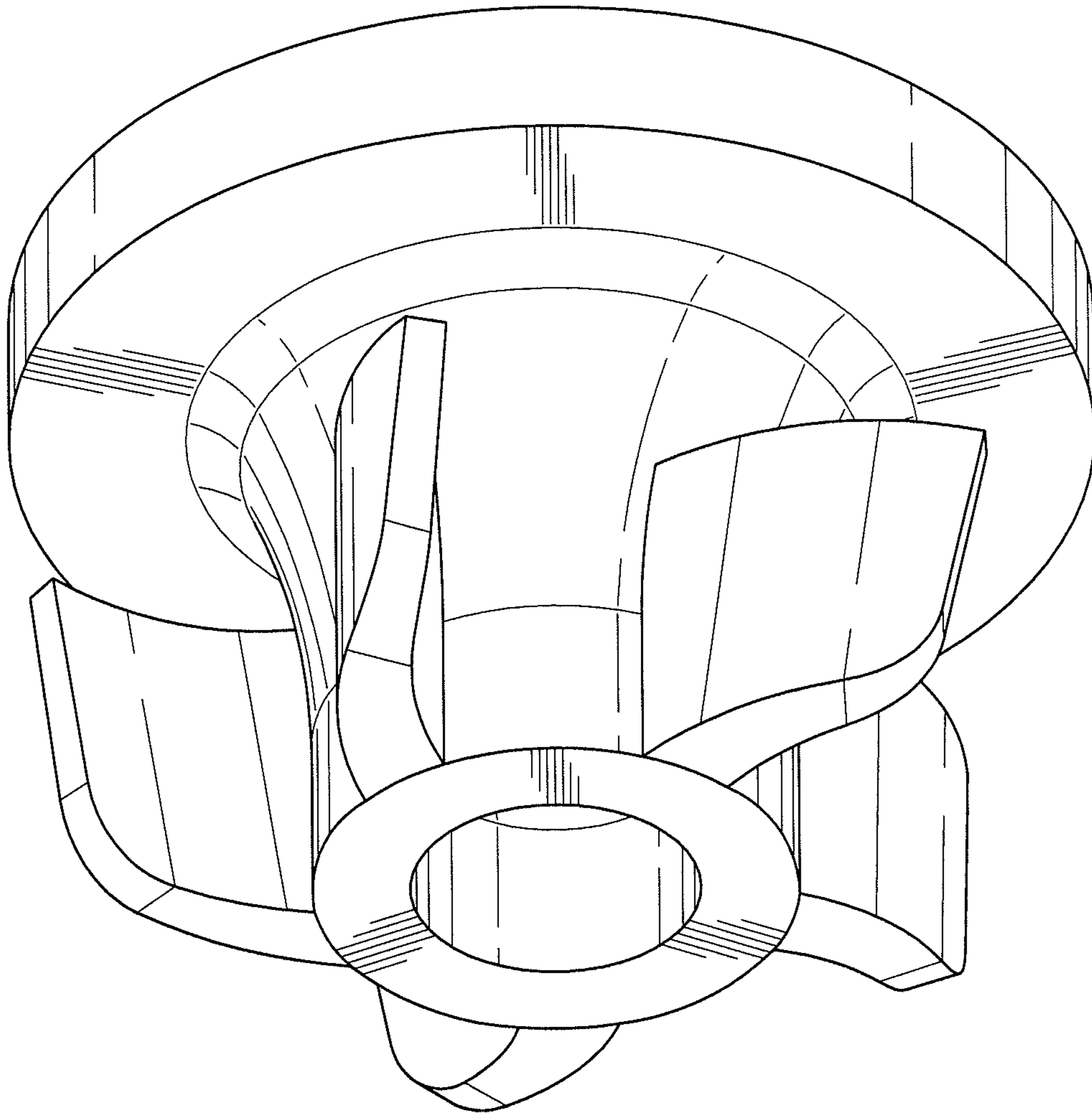


Fig. 4

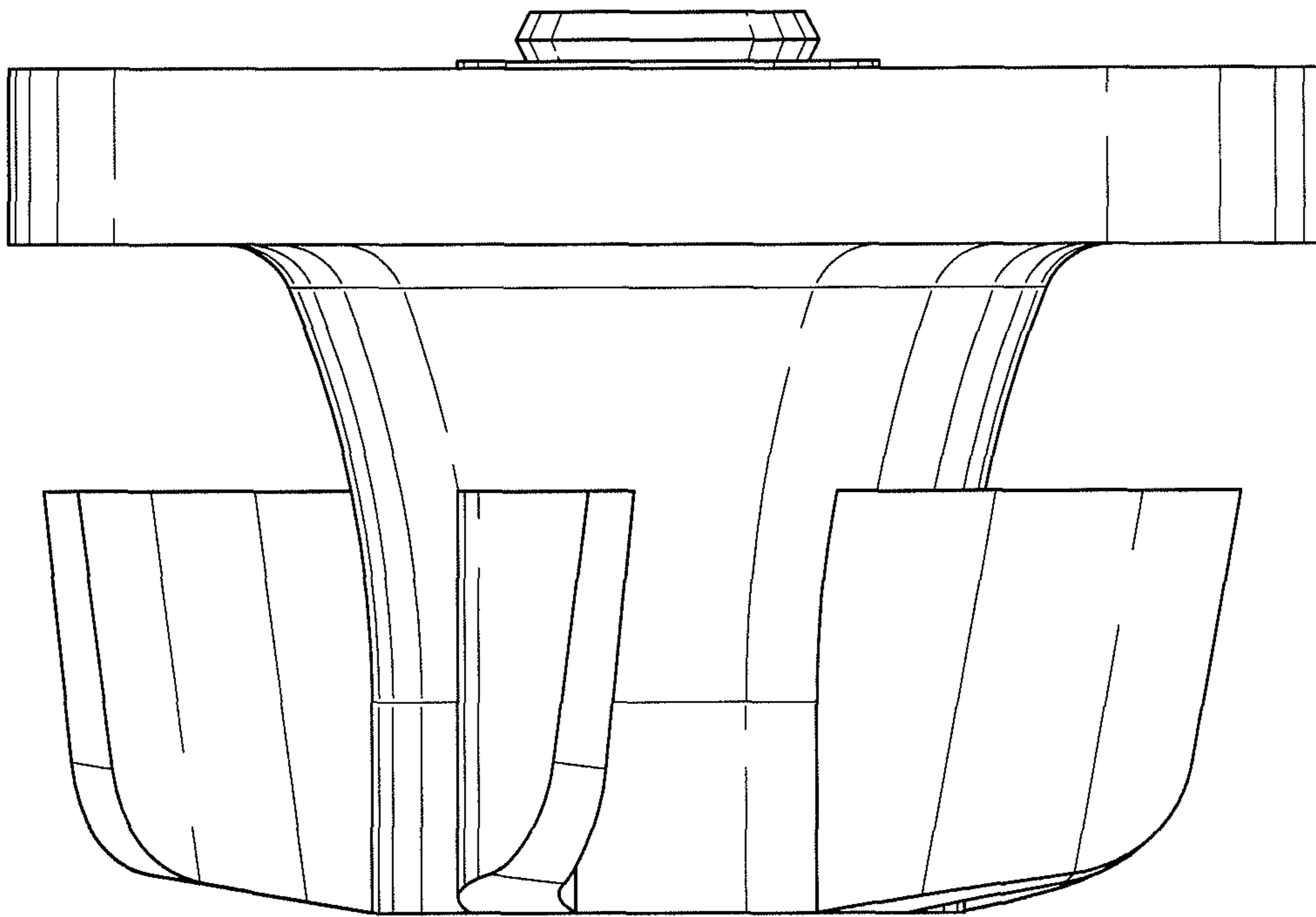


Fig. 5