

US00D692525S

(12) **United States Design Patent**
Tseng

(10) **Patent No.:** **US D692,525 S**

(45) **Date of Patent:** **** Oct. 29, 2013**

(54) **WATER PURIFIER**

(71) Applicant: **Chung-Yen Tseng**, Taichung (TW)

(72) Inventor: **Chung-Yen Tseng**, Taichung (TW)

(73) Assignee: **Rite2Water Co., Ltd.**, Taichung (TW)

(**) Term: **14 Years**

(21) Appl. No.: **29/437,132**

(22) Filed: **Nov. 13, 2012**

(51) **LOC (9) Cl.** **23-01**

(52) **U.S. Cl.**
USPC **D23/207**

(58) **Field of Classification Search**
USPC D23/207.209; 210/335, 232, 323.1,
210/323.2

See application file for complete search history.

(56) **References Cited**

U.S. PATENT DOCUMENTS

6,527,953 B2 * 3/2003 Tai 210/223
7,438,811 B2 * 10/2008 Lin 210/232

* cited by examiner

Primary Examiner — Robin V Webster

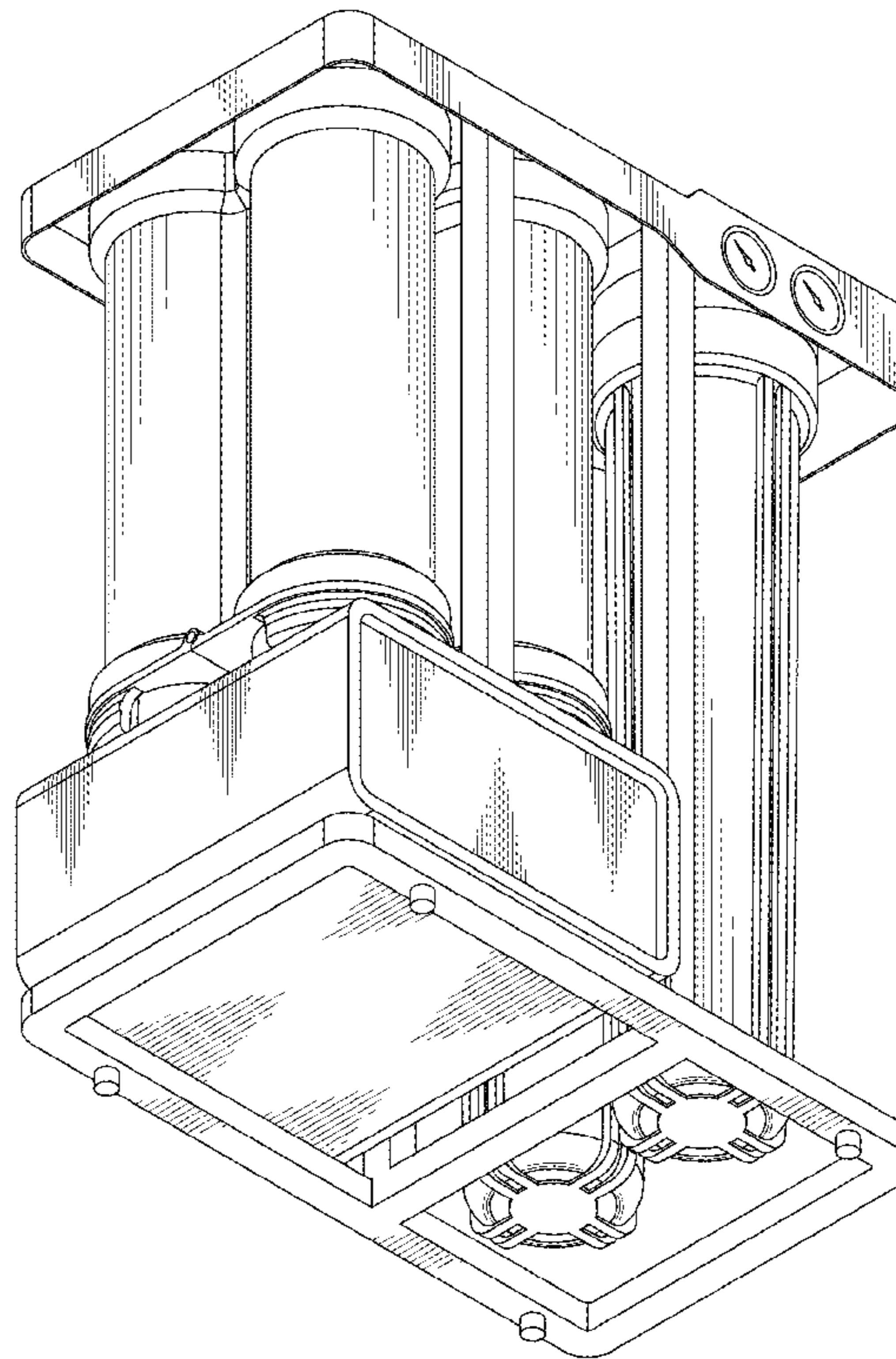
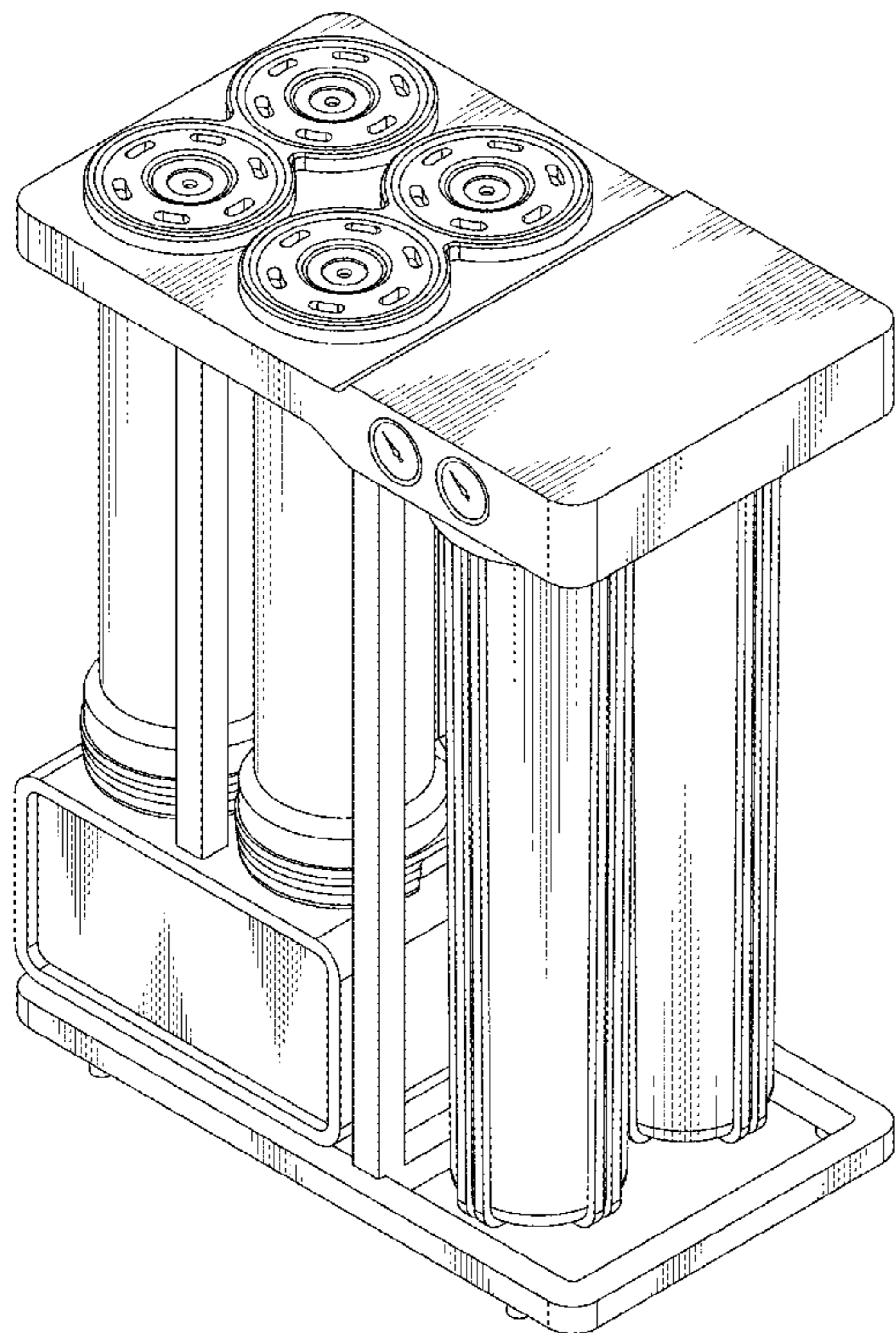
(57) **CLAIM**

The ornamental design for a water purifier, as shown.

DESCRIPTION

FIG. 1 is a perspective view of a water purifier showing my new design;
FIG. 2 is a front elevational view thereof;
FIG. 3 is a rear elevational view thereof;
FIG. 4 is a left side view thereof;
FIG. 5 is a right side view thereof;
FIG. 6 is a top plain view thereof;
FIG. 7 is a bottom plain view thereof; and,
FIG. 8 is another perspective view thereof.

1 Claim, 7 Drawing Sheets



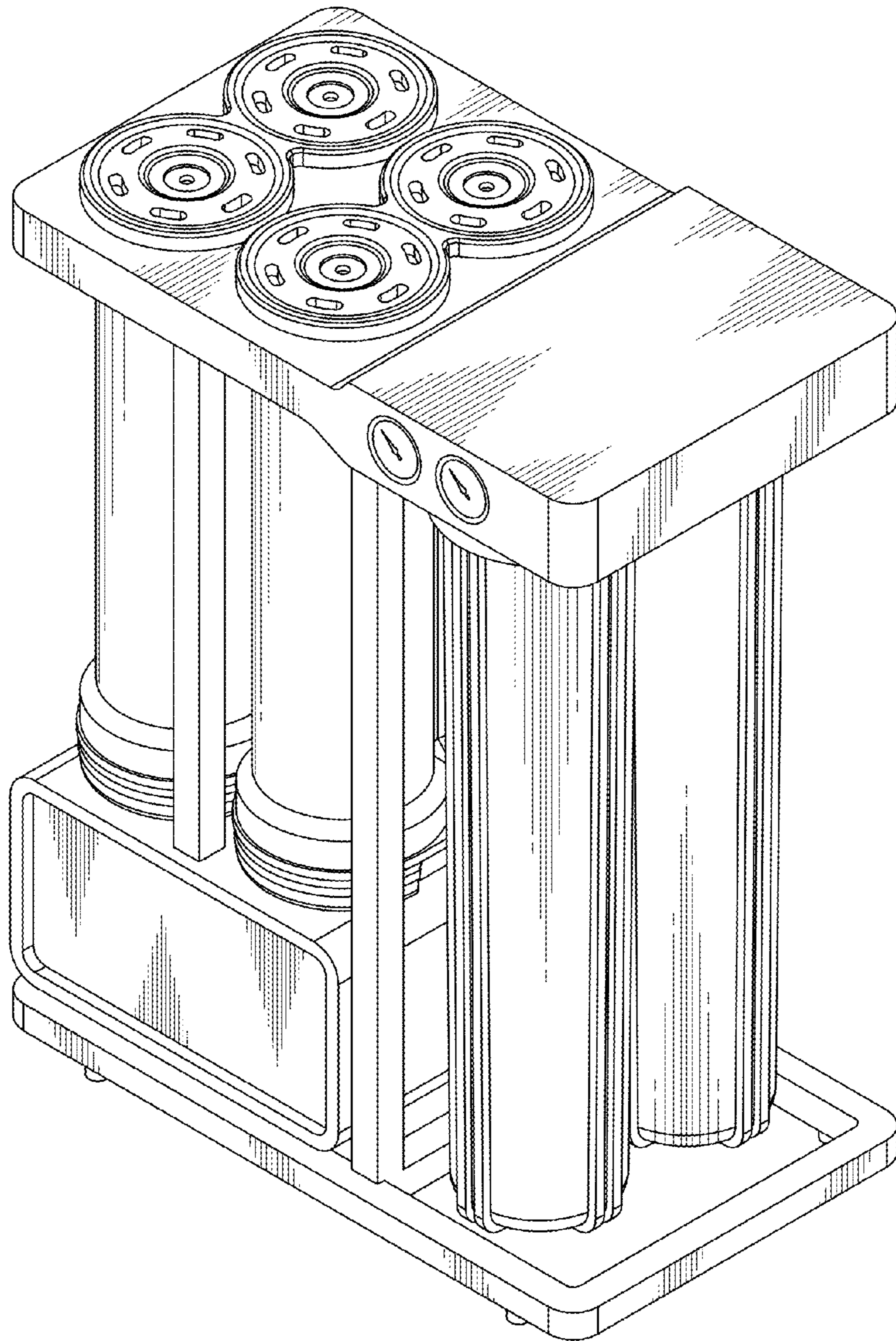


FIG. 1

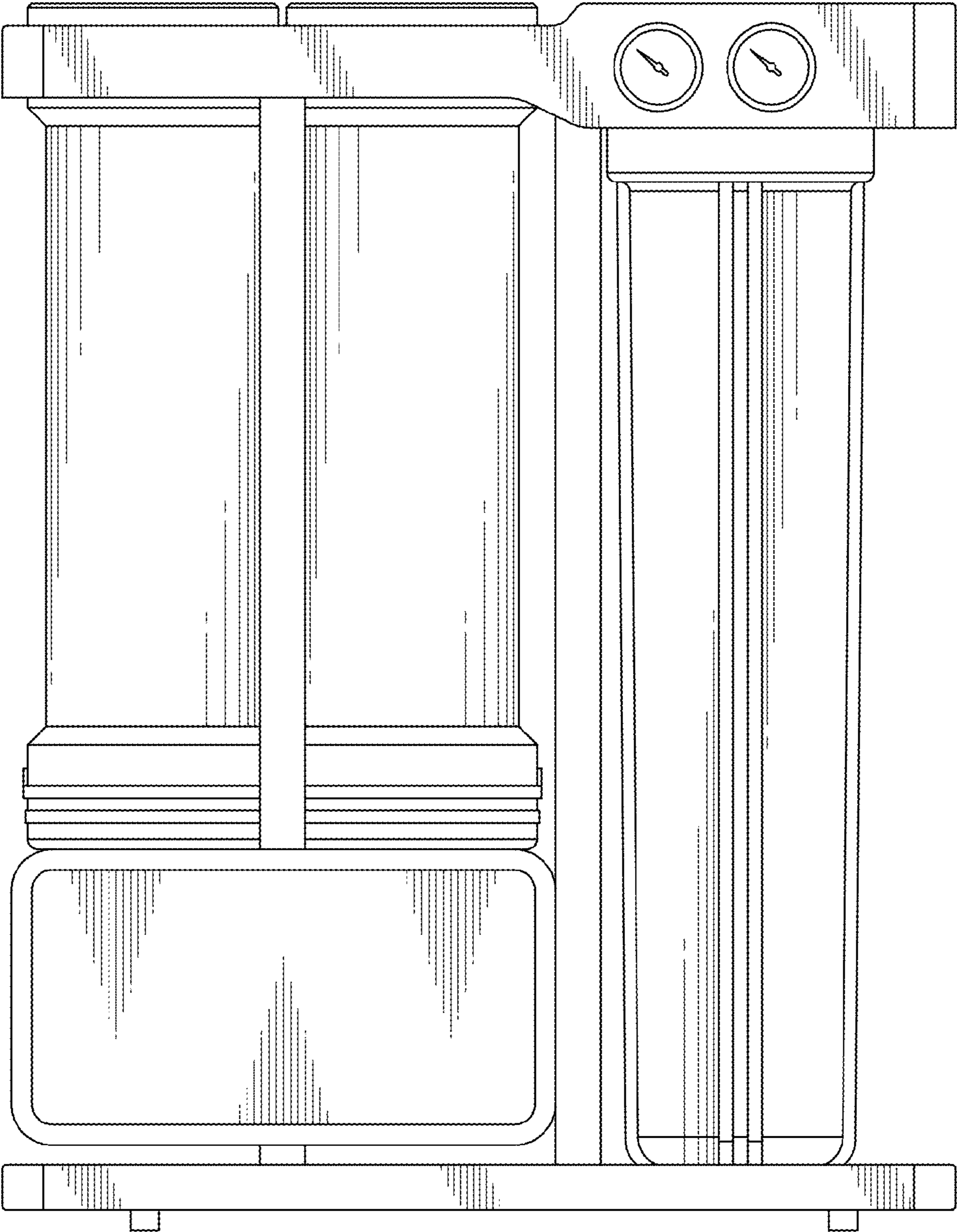


FIG. 2

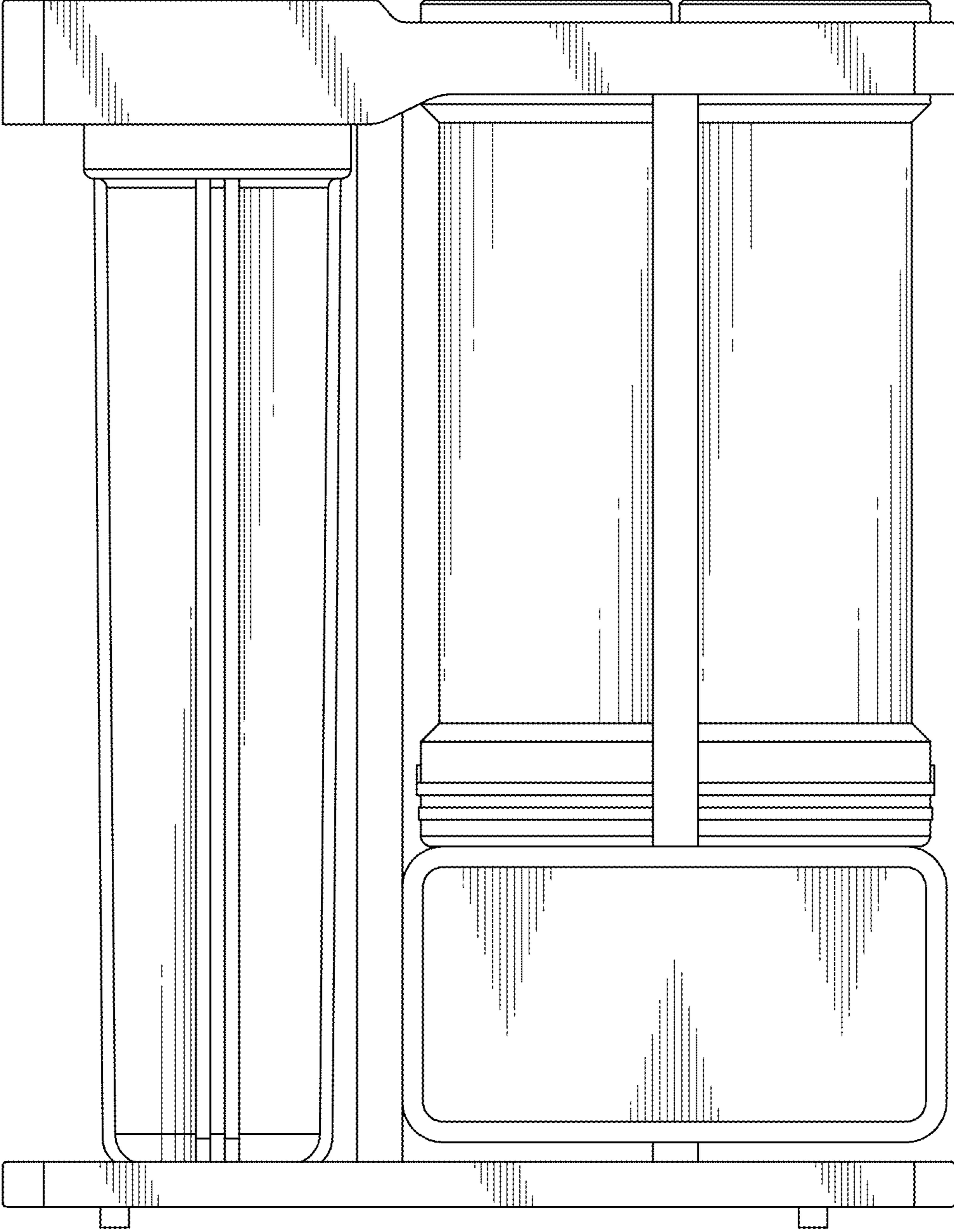


FIG. 3

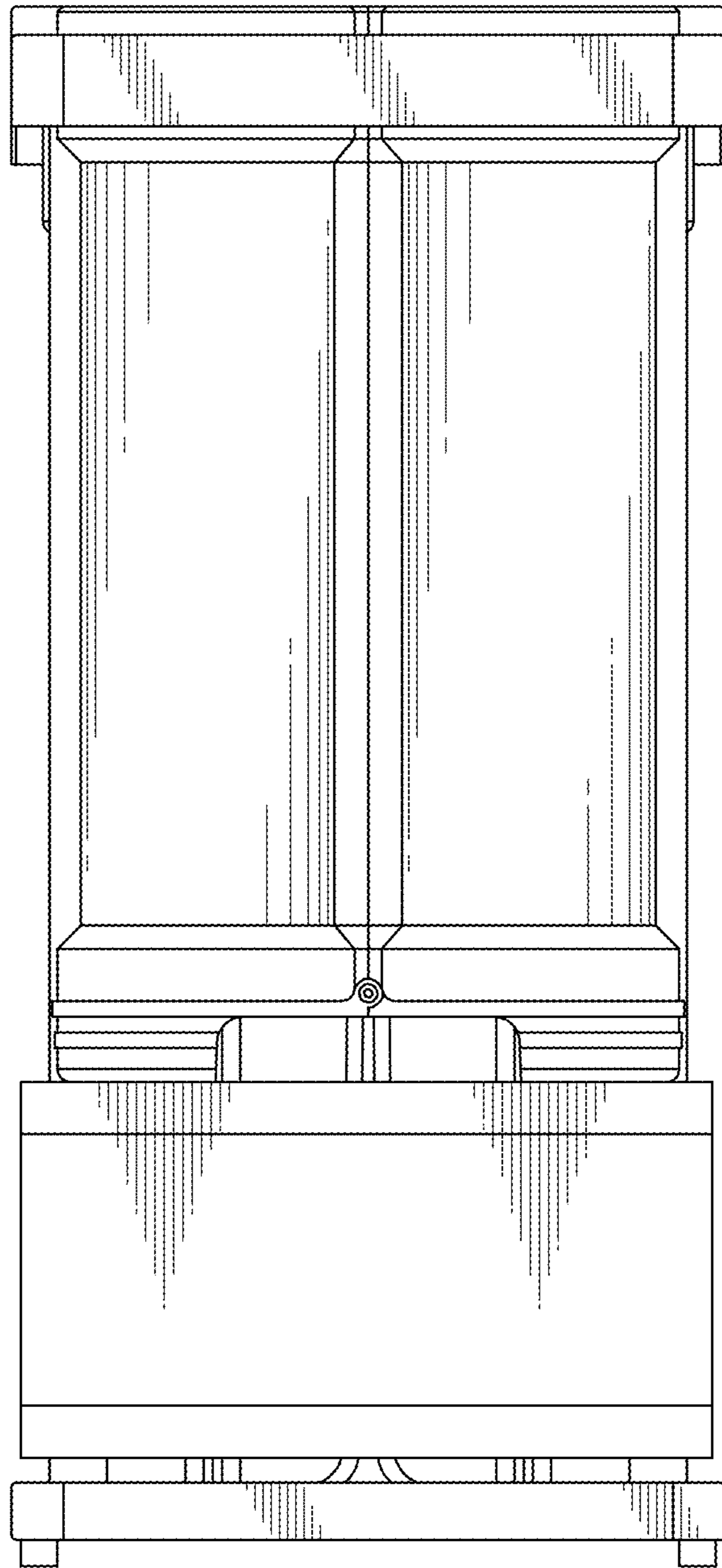


FIG. 4

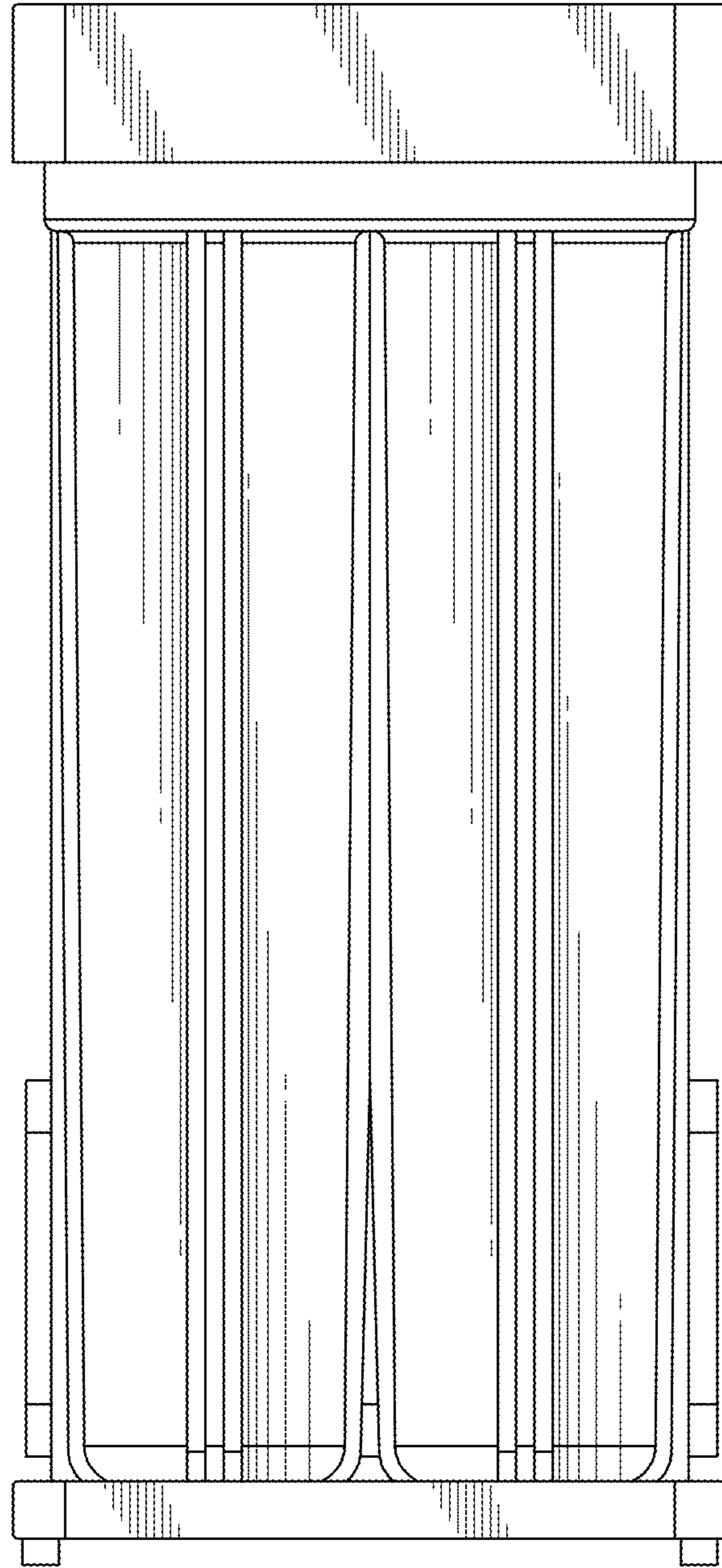


FIG. 5

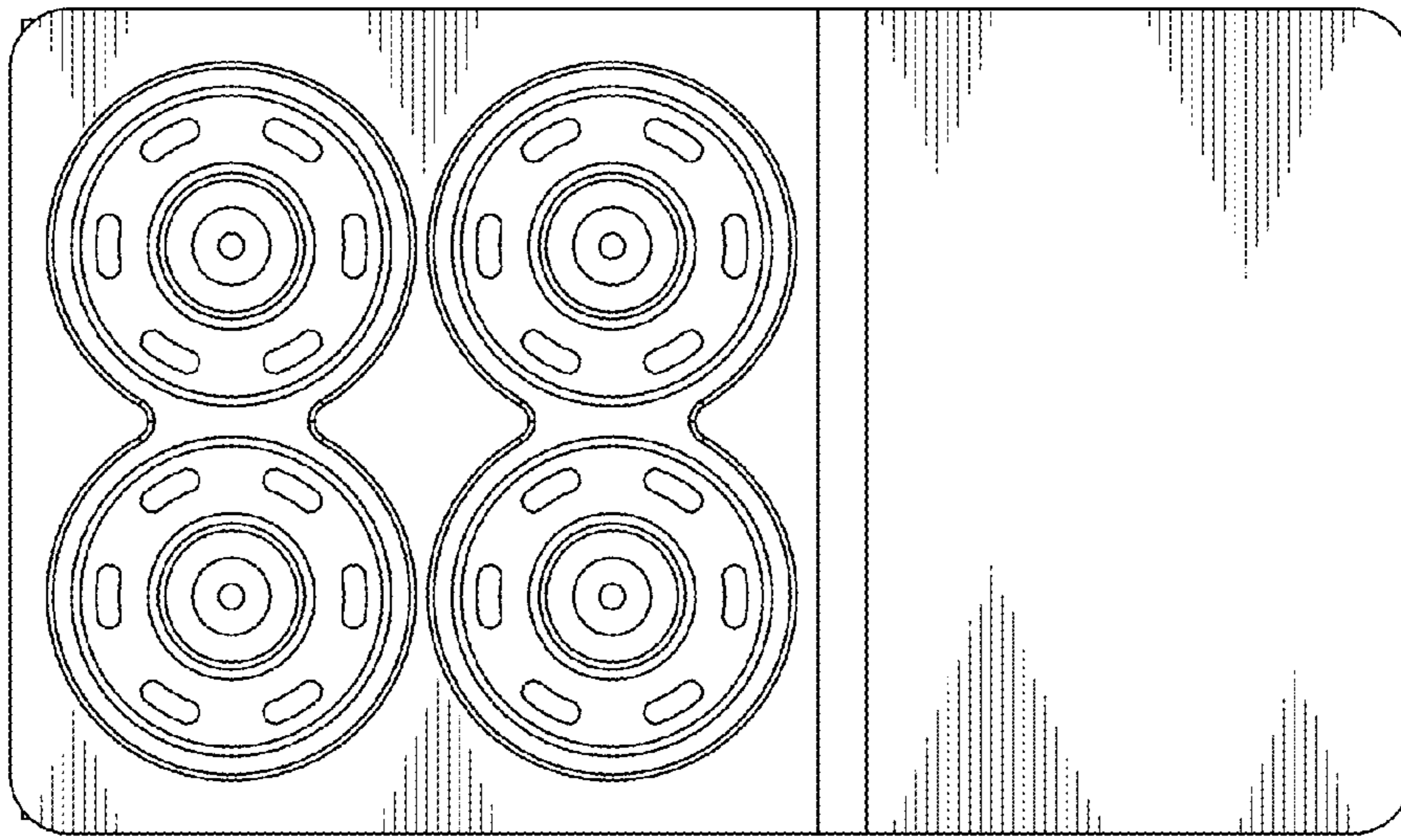


FIG. 6

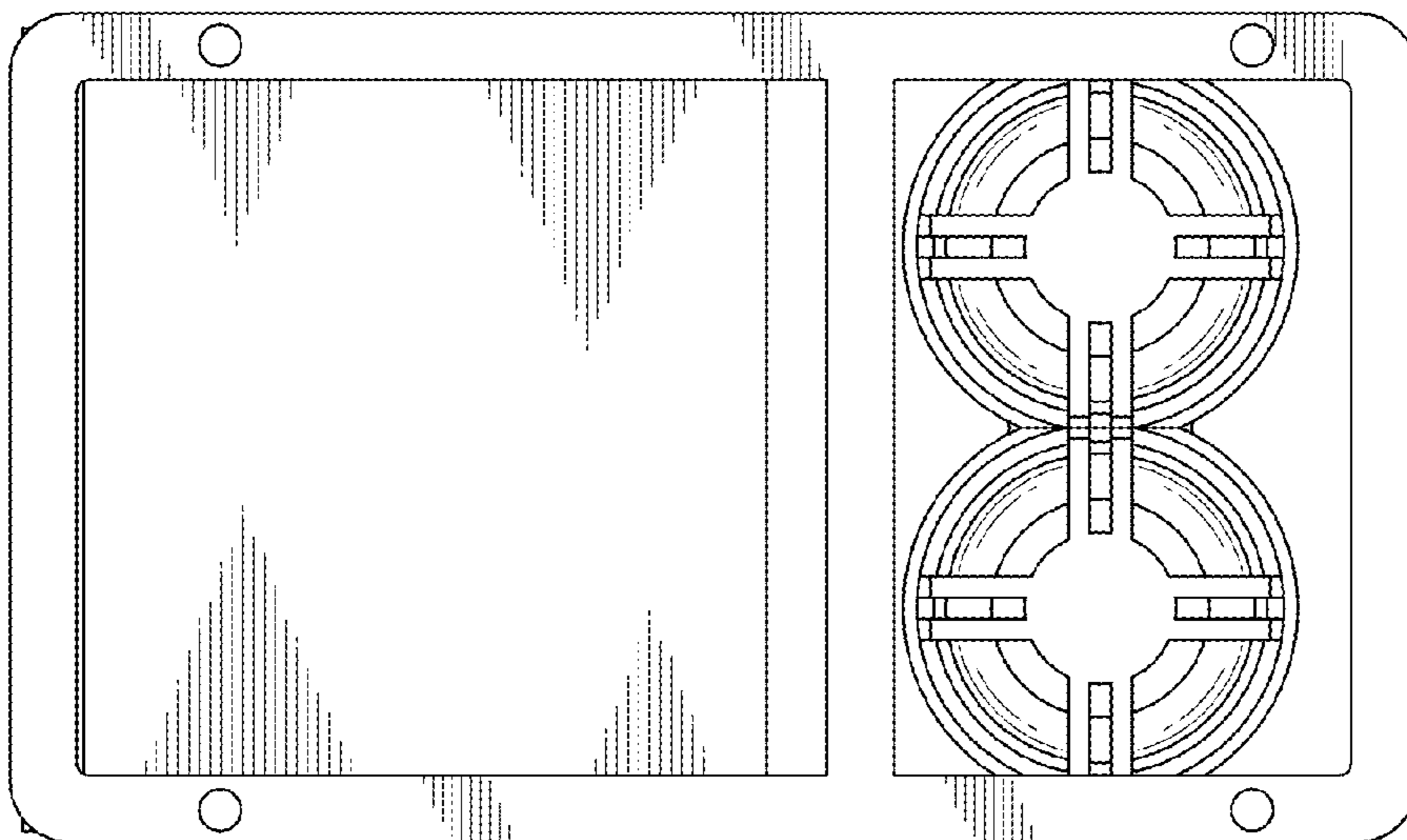


FIG. 7

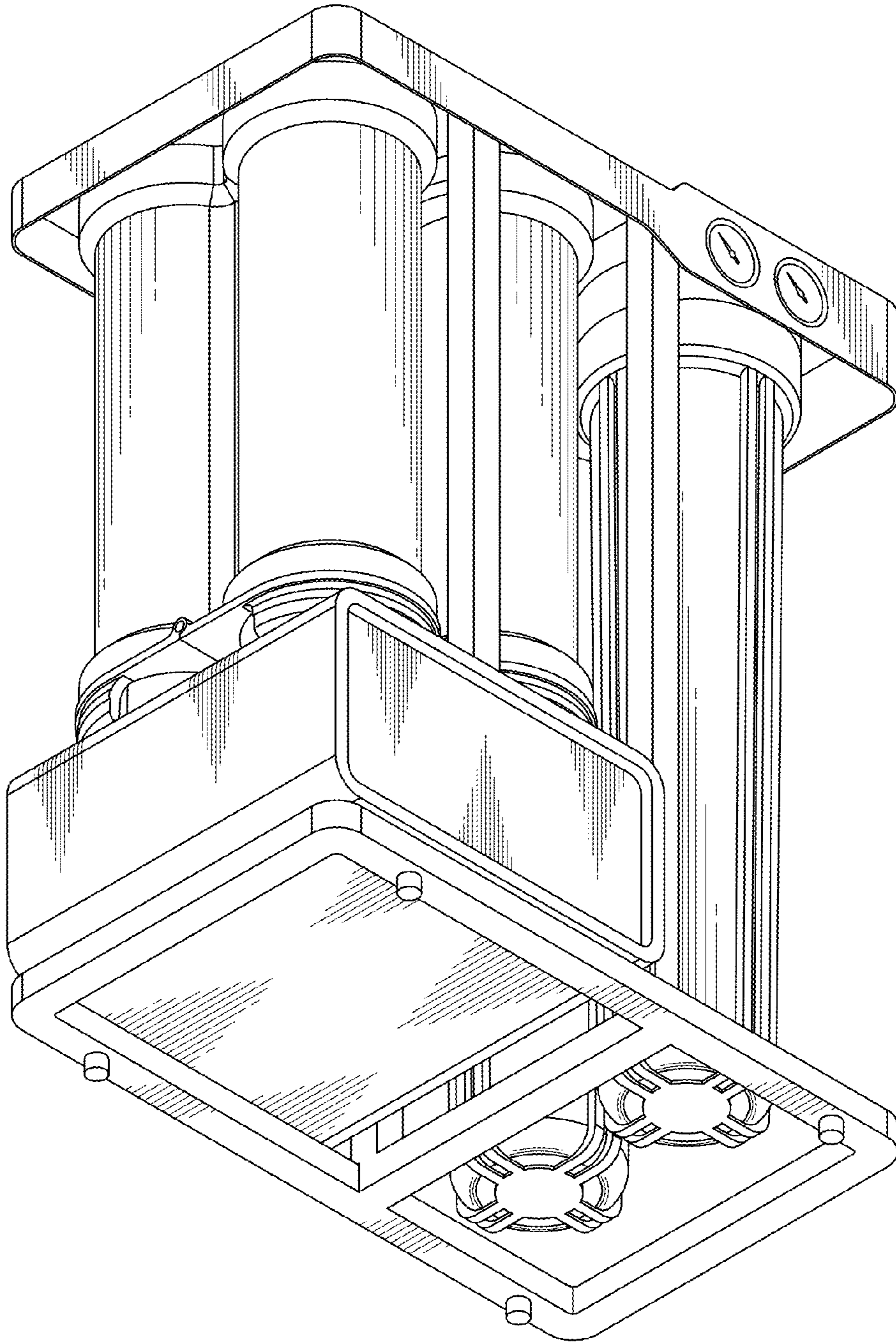


FIG. 8