



US00D692524S

(12) **United States Design Patent**  
**Ziser**

(10) **Patent No.:** **US D692,524 S**  
(45) **Date of Patent:** **\*\* Oct. 29, 2013**

(54) **DEVICE FOR WATER TREATMENT**

(75) Inventor: **Baruch Ziser**, Kiryat Ata (IL)

(73) Assignee: **Gal-Al Beverages Ltd.**, Kiryat Bialik (IL)

(\*\*) Term: **14 Years**

(21) Appl. No.: **29/428,012**

(22) Filed: **Jul. 25, 2012**

(51) **LOC (9) Cl.** ..... **23-01**

(52) **U.S. Cl.**  
USPC ..... **D23/207**

(58) **Field of Classification Search**  
USPC ..... D23/207-209; 210/198.1, 222, 223;  
4/226.1

See application file for complete search history.

(56) **References Cited**

**U.S. PATENT DOCUMENTS**

5,536,401	A *	7/1996	Burns	.....	210/222
5,558,765	A *	9/1996	Twardzik	.....	210/222
6,231,759	B1 *	5/2001	Sato	.....	210/222
6,599,419	B2 *	7/2003	Hagans	.....	210/222
6,849,188	B2 *	2/2005	Sacs	.....	210/695
7,407,589	B2 *	8/2008	Holland	.....	210/695
7,678,270	B2 *	3/2010	Sisemore	.....	210/222
7,887,708	B2 *	2/2011	Chew	.....	210/695
D664,627	S *	7/2012	Nathan et al.	.....	D23/208

8,444,852 B2 \* 5/2013 Ito ..... 210/222

\* cited by examiner

*Primary Examiner* — Robin V Webster

(74) *Attorney, Agent, or Firm* — William H. Dippert; Eckert Seamans Cherin & Mellott, LLC

(57) **CLAIM**

The ornamental design for a “water treatment device,” as shown and described.

**DESCRIPTION**

FIG. 1 is an isometric view of the water treatment device of the present invention with a bottom cover.

FIG. 2 is a front view of the water treatment device of the present invention.

FIG. 3 is a back view of the water treatment device of the present invention.

FIG. 4 is bottom view of the water treatment device of the present invention.

FIG. 5 is side view of the water treatment device of the present invention.

FIG. 6 is an upper view of the water treatment device of the present invention; and,

FIG. 7 is an isometric view of the water treatment device mounted on a water pipe which is shown in broken lines and is for illustrative purposes only and forms no part of the claimed design.

The present invention is a water treatment device to be mounted on a water line.

**1 Claim, 7 Drawing Sheets**

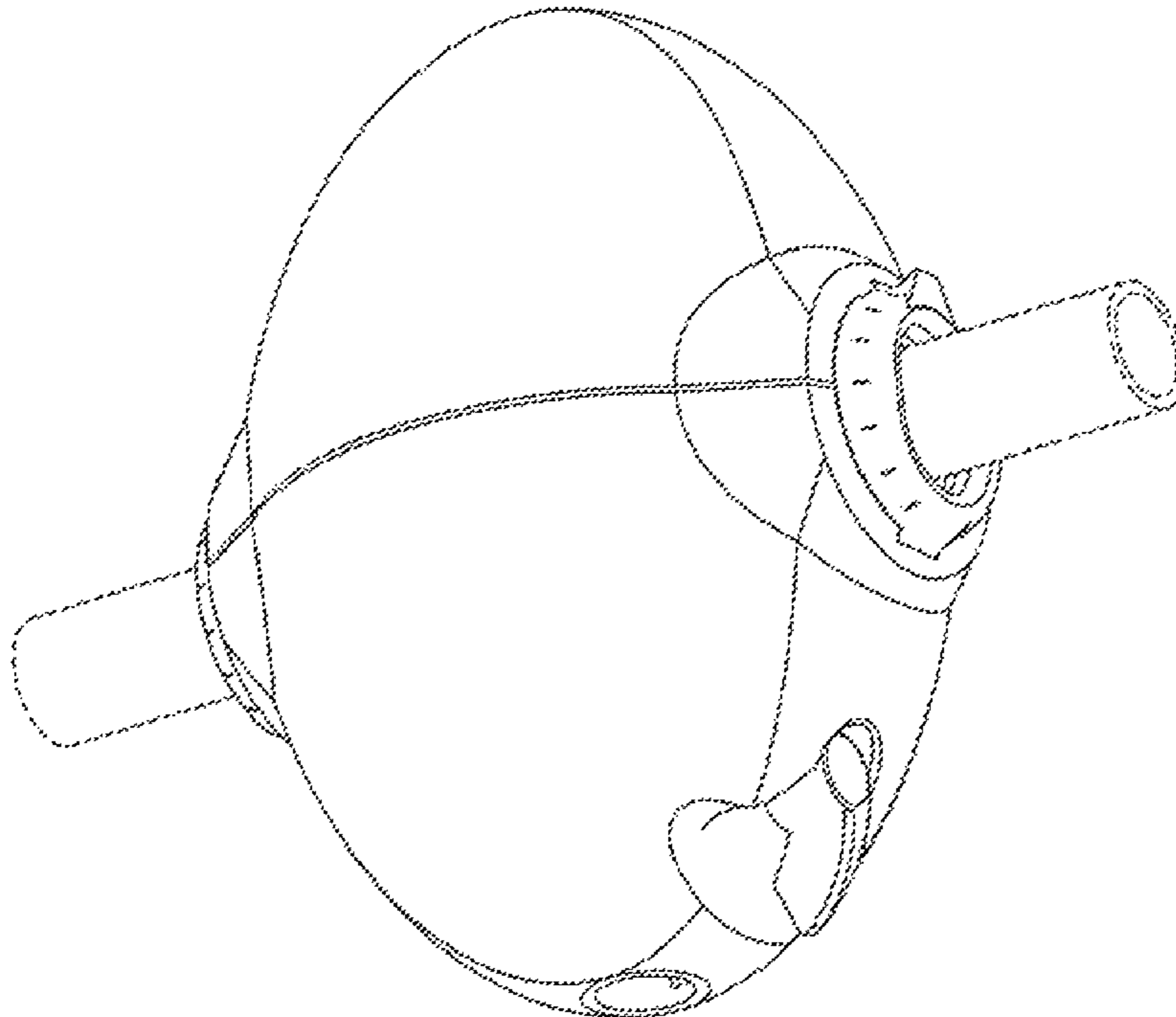


Figure 1

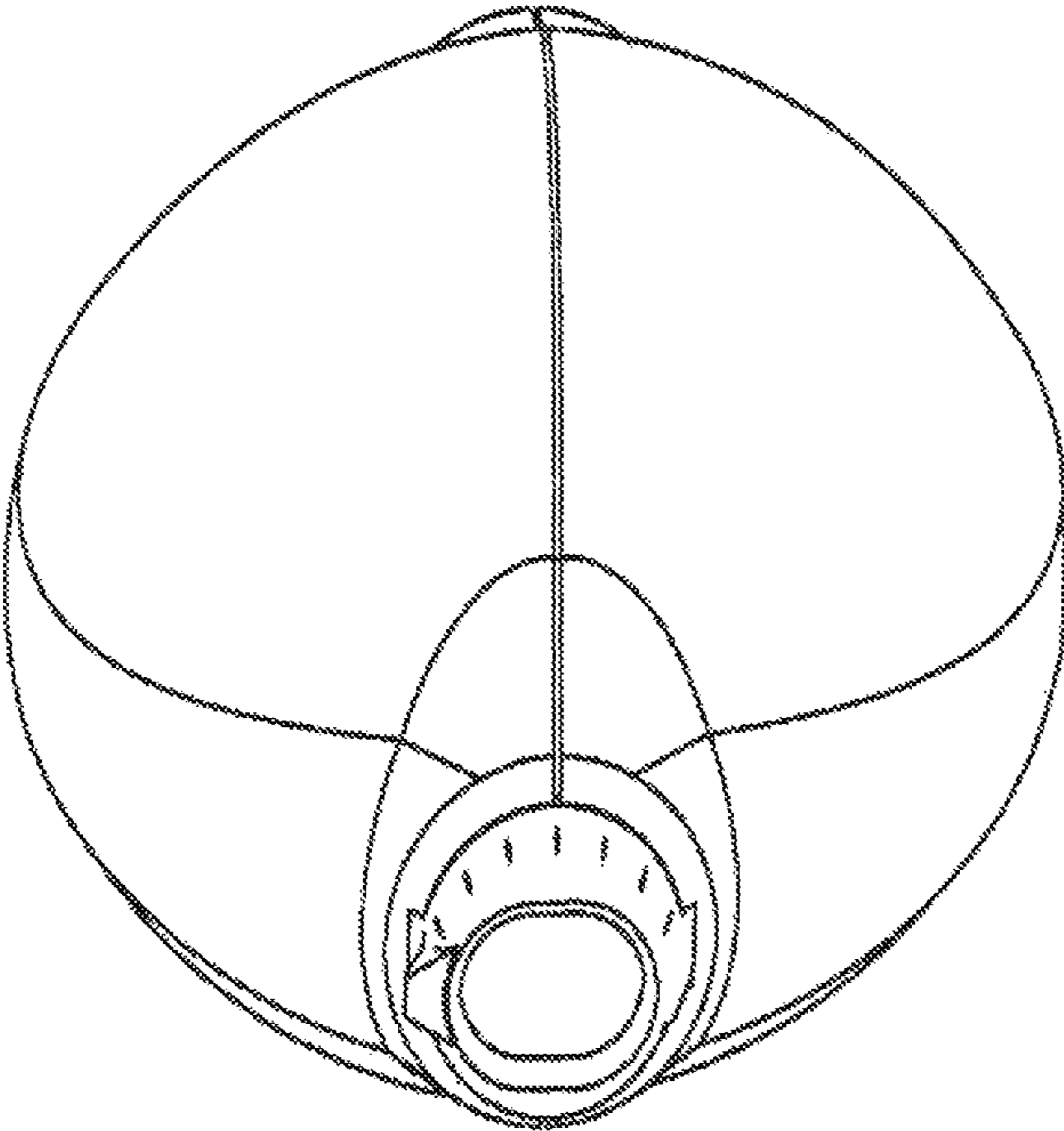
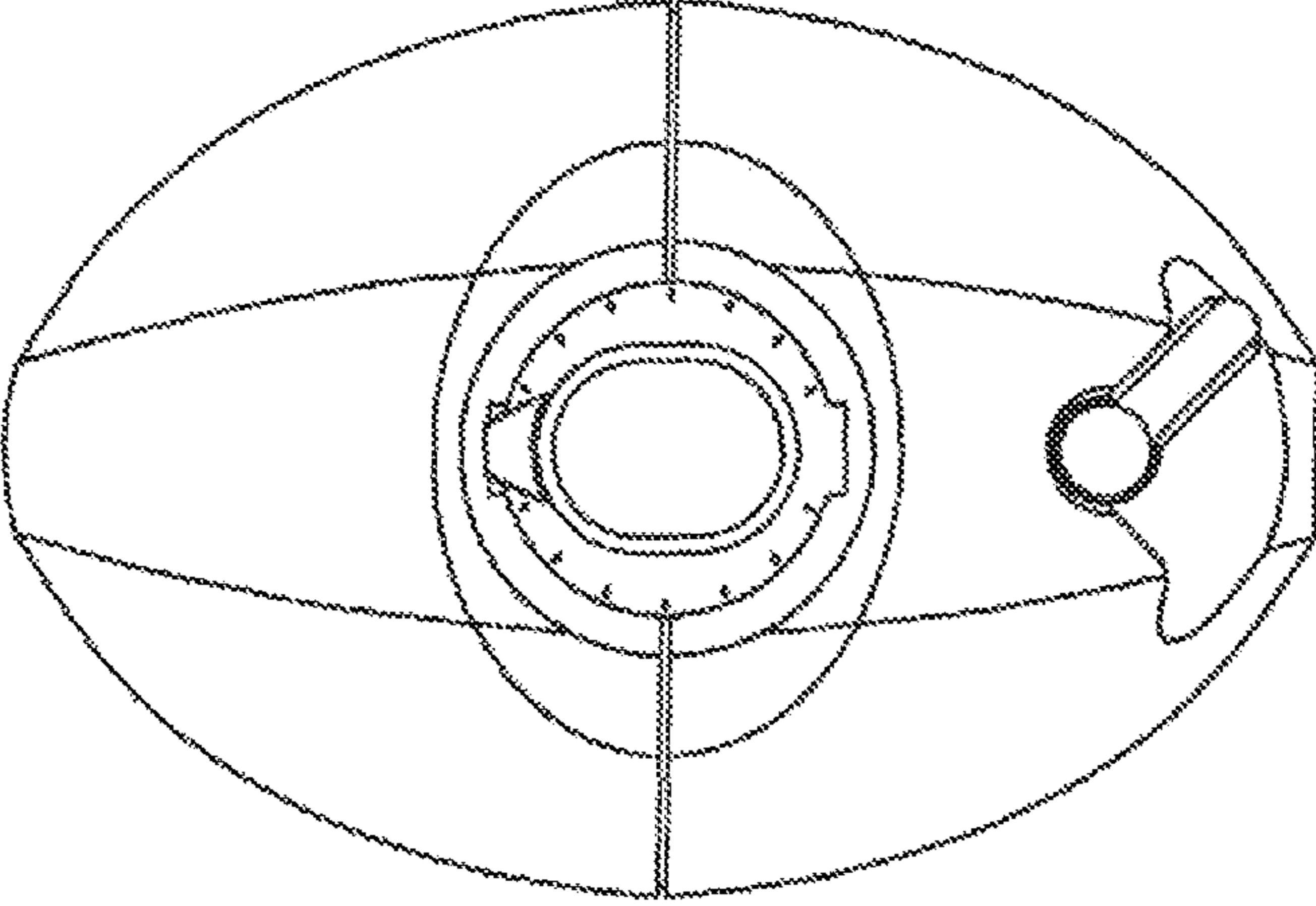


Figure 2



**Figure 3**

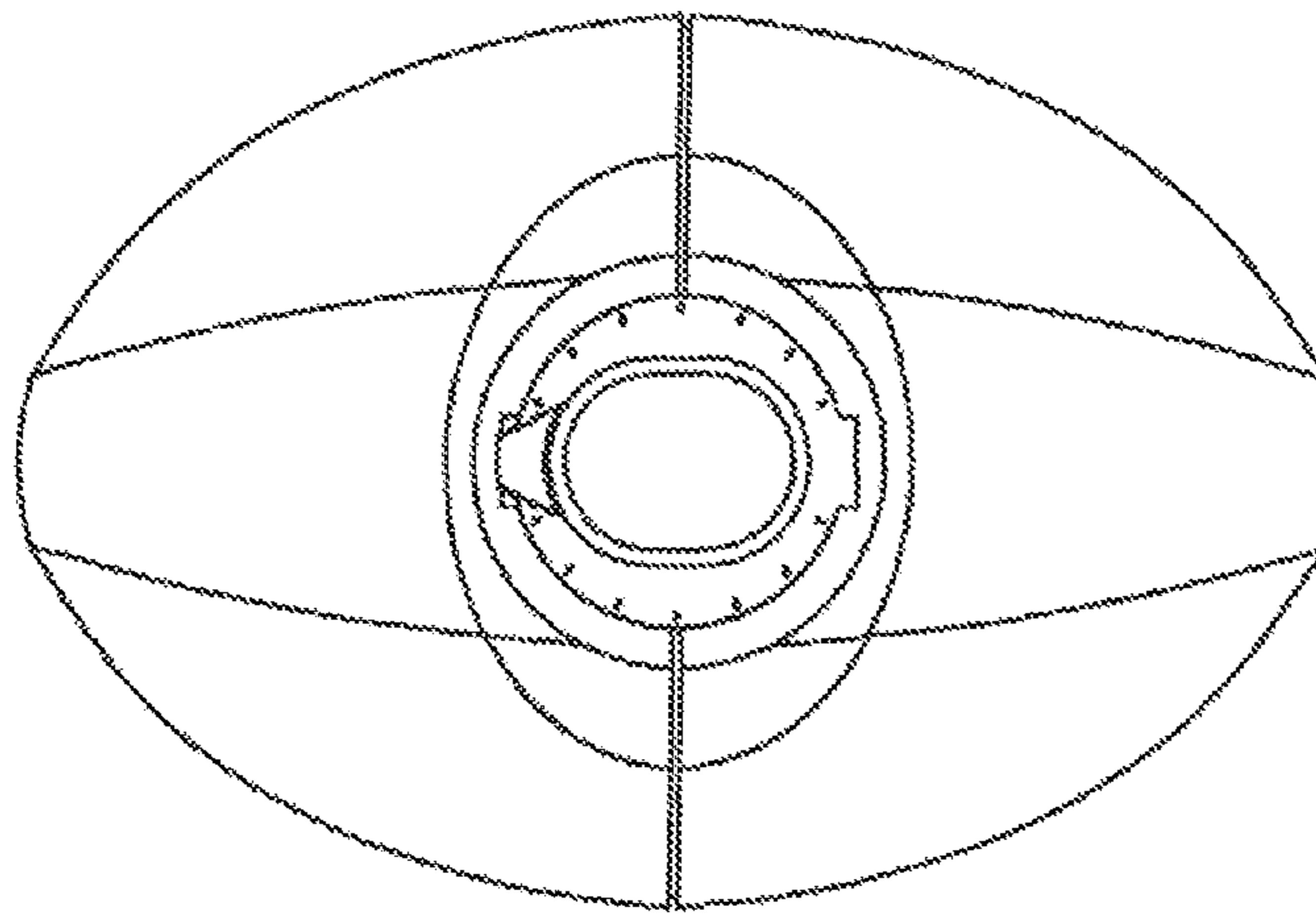


Figure 4

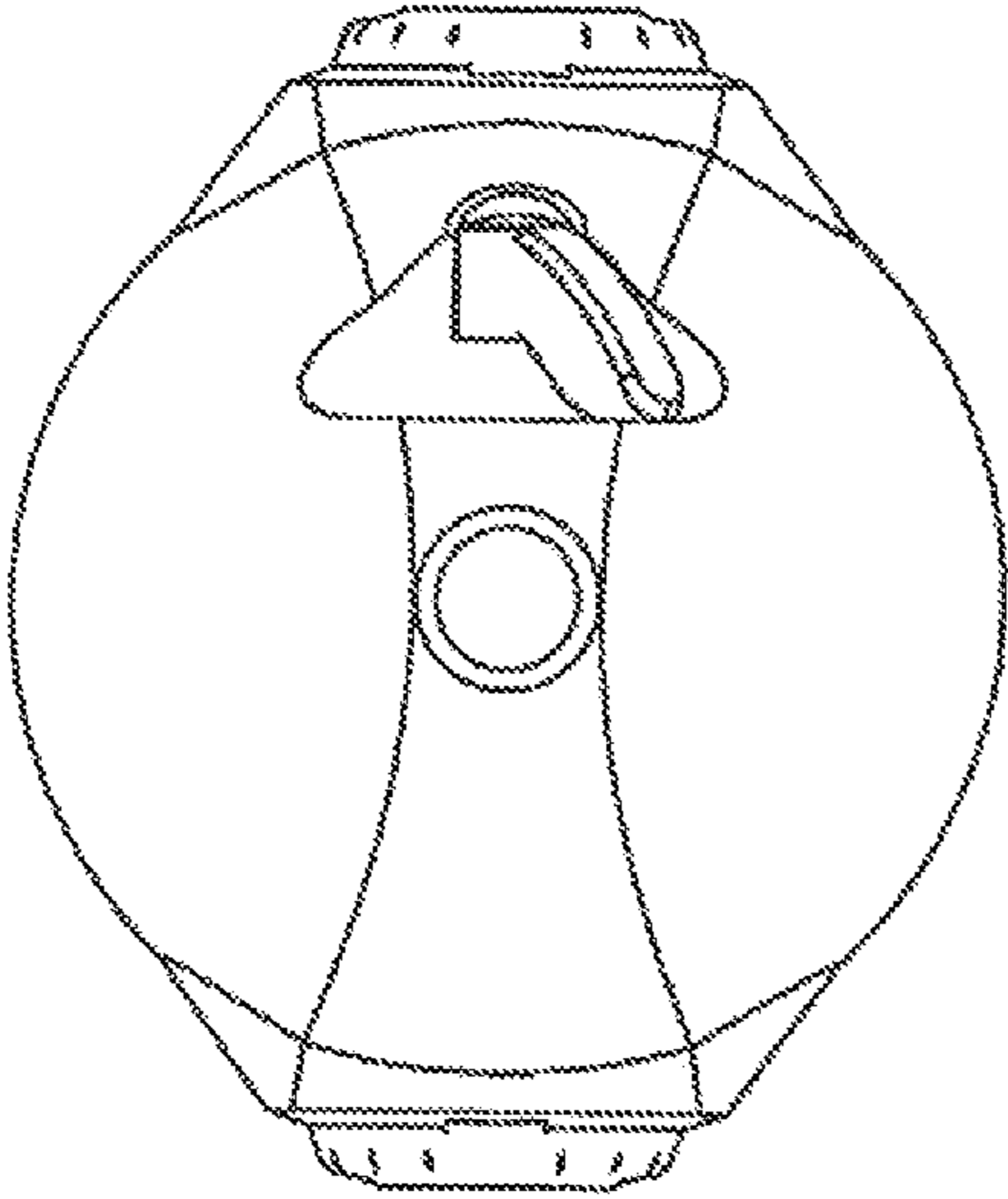


Figure 5

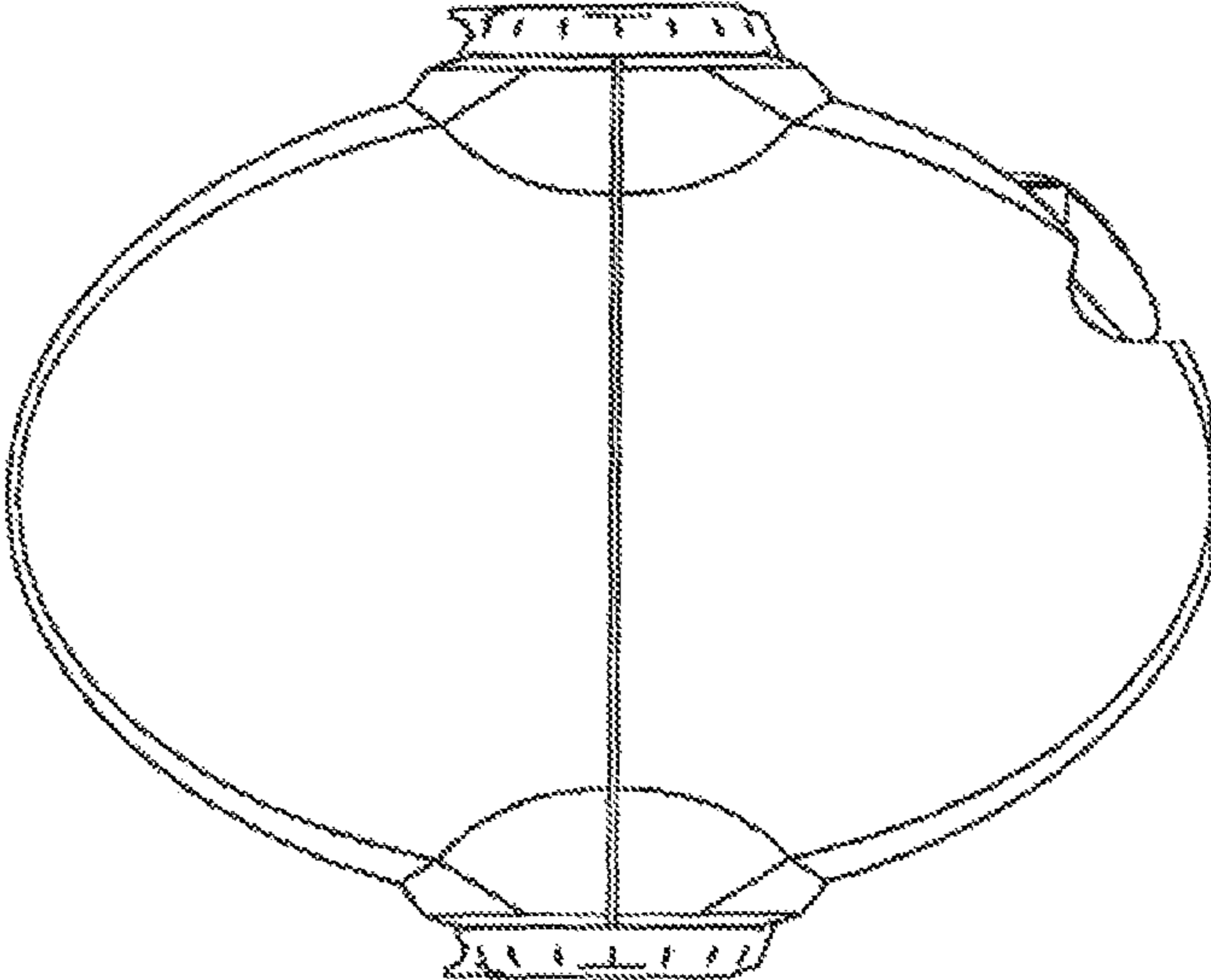


Figure 6

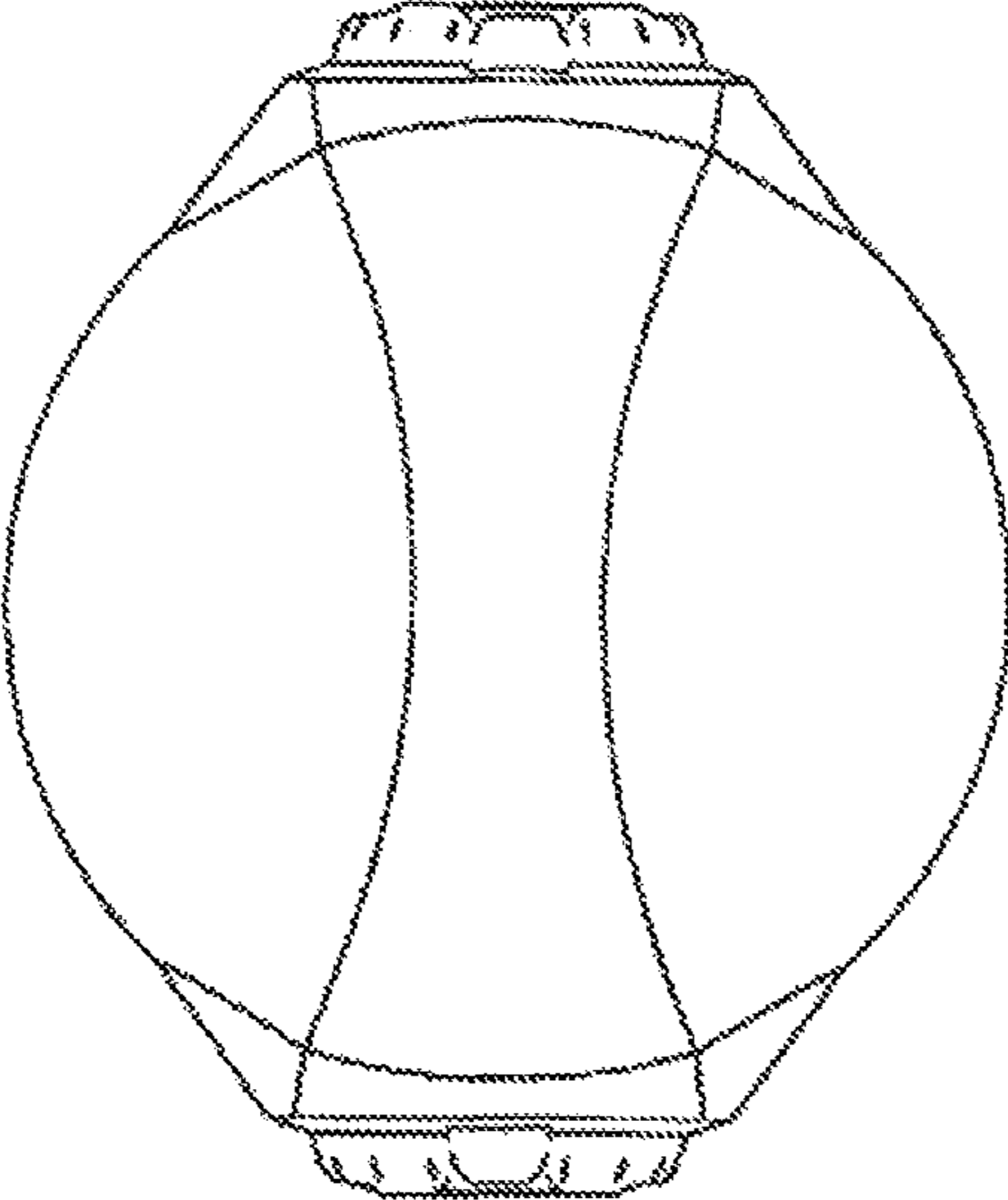


Figure 7

