



US00D692523S

(12) **United States Design Patent**
Saito et al.

(10) **Patent No.:** **US D692,523 S**

(45) **Date of Patent:** **** Oct. 29, 2013**

(54) **TANK FOR USE WITH PORTABLE APPARATUS FOR EXCREMENT DISPOSAL**

(71) Applicants: **Tokuo Saito**, Miyagi-ken (JP);
Fumiyuki Akoshima, Miyagi-ken (JP);
Kiichi Komatsu, Akita-ken (JP);
Nobuyoshi Kurosawa, Tokyo (JP)

(72) Inventors: **Tokuo Saito**, Miyagi-ken (JP);
Fumiyuki Akoshima, Miyagi-ken (JP);
Kiichi Komatsu, Akita-ken (JP);
Nobuyoshi Kurosawa, Tokyo (JP)

(73) Assignee: **Keiko Saito**, Miyagi-Ken (JP)

(**) Term: **14 Years**

(21) Appl. No.: **29/433,738**

(22) Filed: **Oct. 4, 2012**

(30) **Foreign Application Priority Data**

Apr. 9, 2012 (JP) 2012-008309

(51) **LOC (9) Cl.** **23-01**

(52) **U.S. Cl.**
USPC **D23/202; D23/207**

(58) **Field of Classification Search**
USPC D23/202, 207; 210/532.1, 532.2, 85,
210/109, 110

See application file for complete search history.

(56) **References Cited**

U.S. PATENT DOCUMENTS

D482,755 S *	11/2003	Rhinehart et al.	D23/207
D486,882 S *	2/2004	Riddell	D23/207
D575,844 S *	8/2008	Park et al.	D23/207
D627,428 S *	11/2010	Hamilton	D23/202
D647,167 S *	10/2011	Arrigoni et al.	D23/202
D647,168 S *	10/2011	Lerner et al.	D23/202
D650,884 S *	12/2011	Theiss	D23/202
D655,372 S *	3/2012	Kimball et al.	D23/202

* cited by examiner

Primary Examiner — Robin V Webster

(74) *Attorney, Agent, or Firm* — Jordan and Hamburg LLP

(57) **CLAIM**

The ornamental design for a tank for use with portable apparatus for excrement disposal, as shown.

DESCRIPTION

FIG. 1 is a perspective view of a tank for use with portable apparatus for excrement disposal showing one embodiment of my new design;

FIG. 2 is a front view thereof;

FIG. 3 is a back view thereof;

FIG. 4 is a top view thereof;

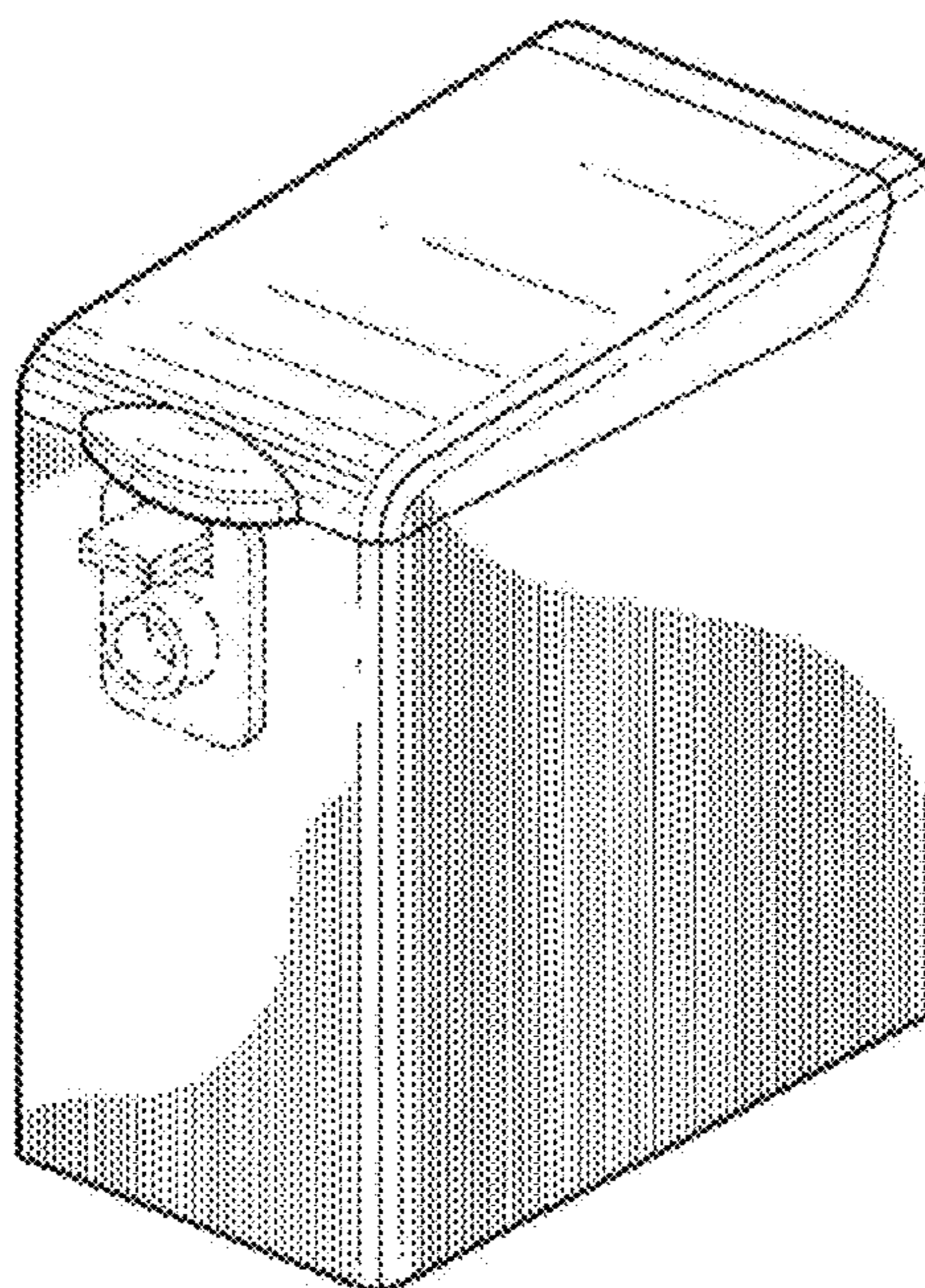
FIG. 5 is a bottom view thereof;

FIG. 6 is a left side elevational view thereof; and,

FIG. 7 is a right side elevational view thereof.

The broken line showing is included for the purpose of illustrating and forms no part of the claimed design.

1 Claim, 4 Drawing Sheets



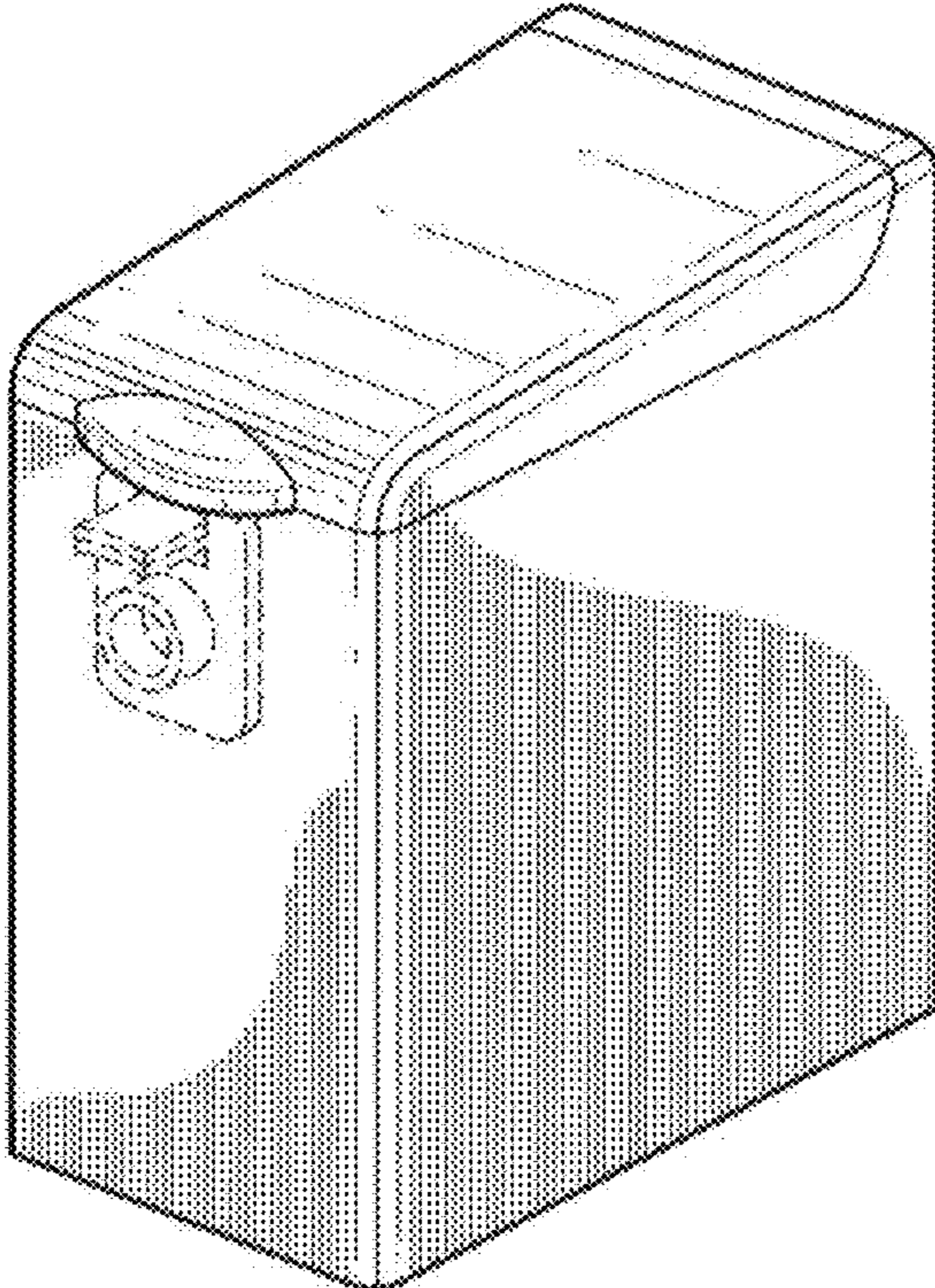


FIG. 1

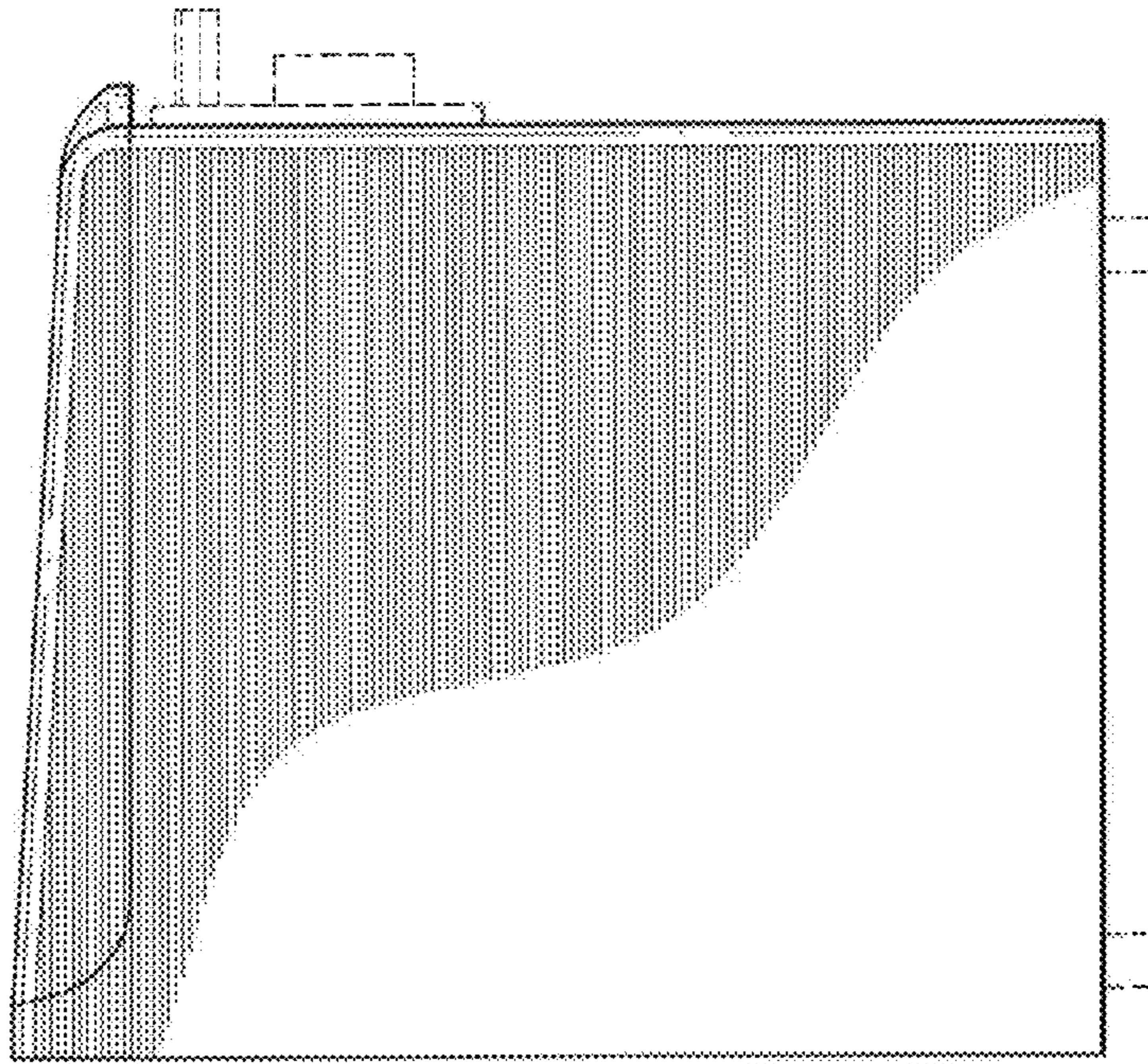


FIG. 3

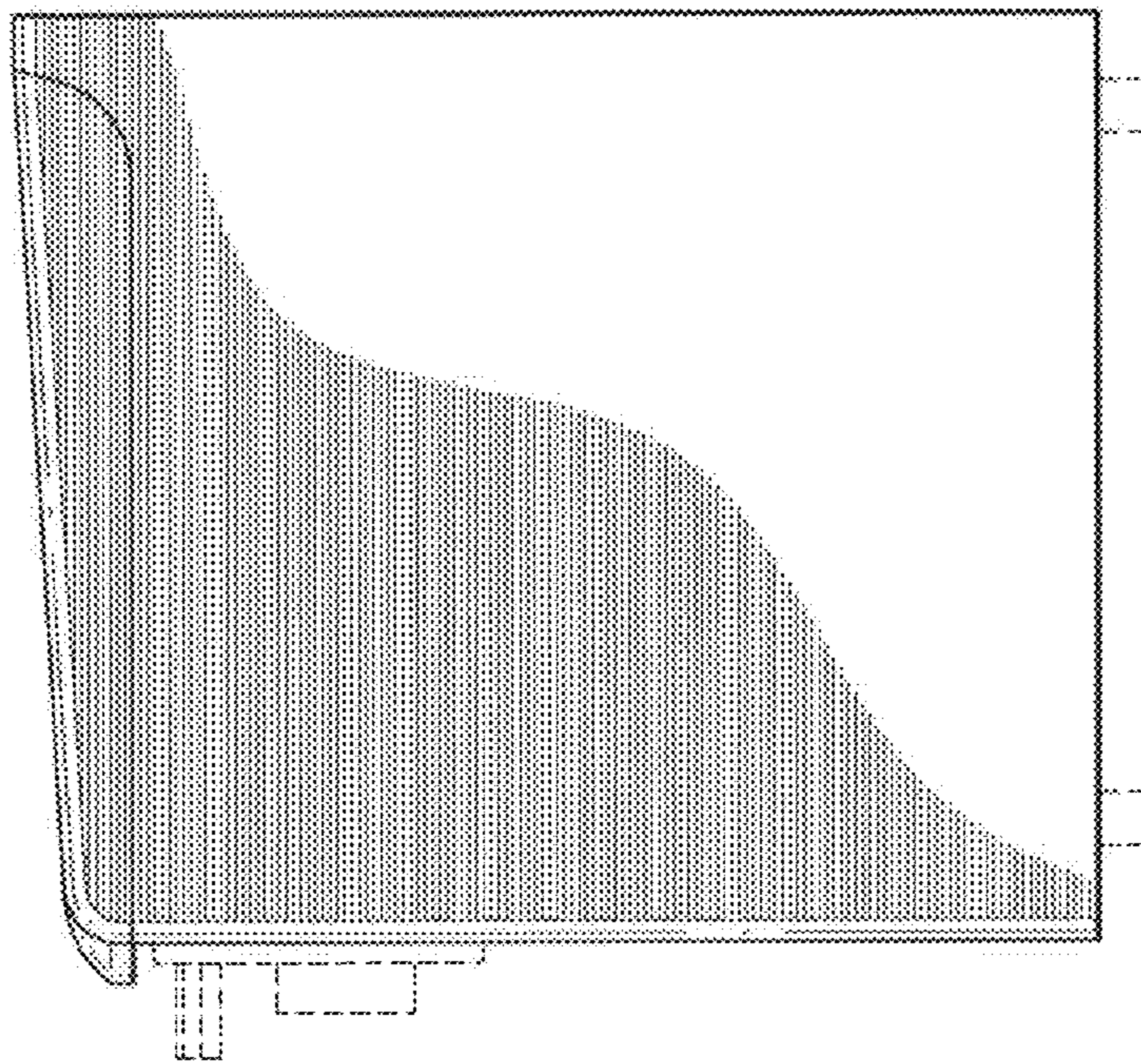


FIG. 2

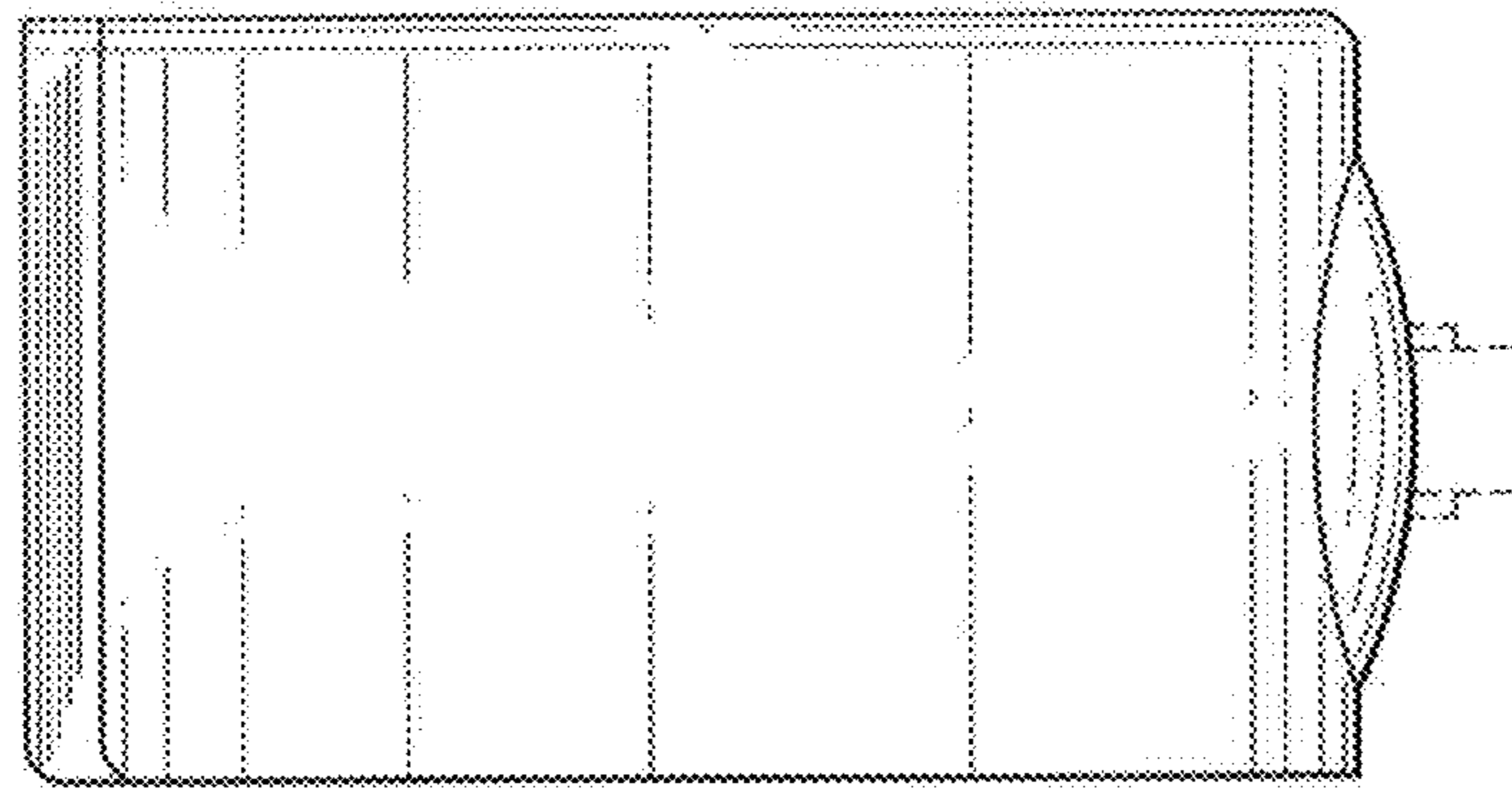


FIG. 4

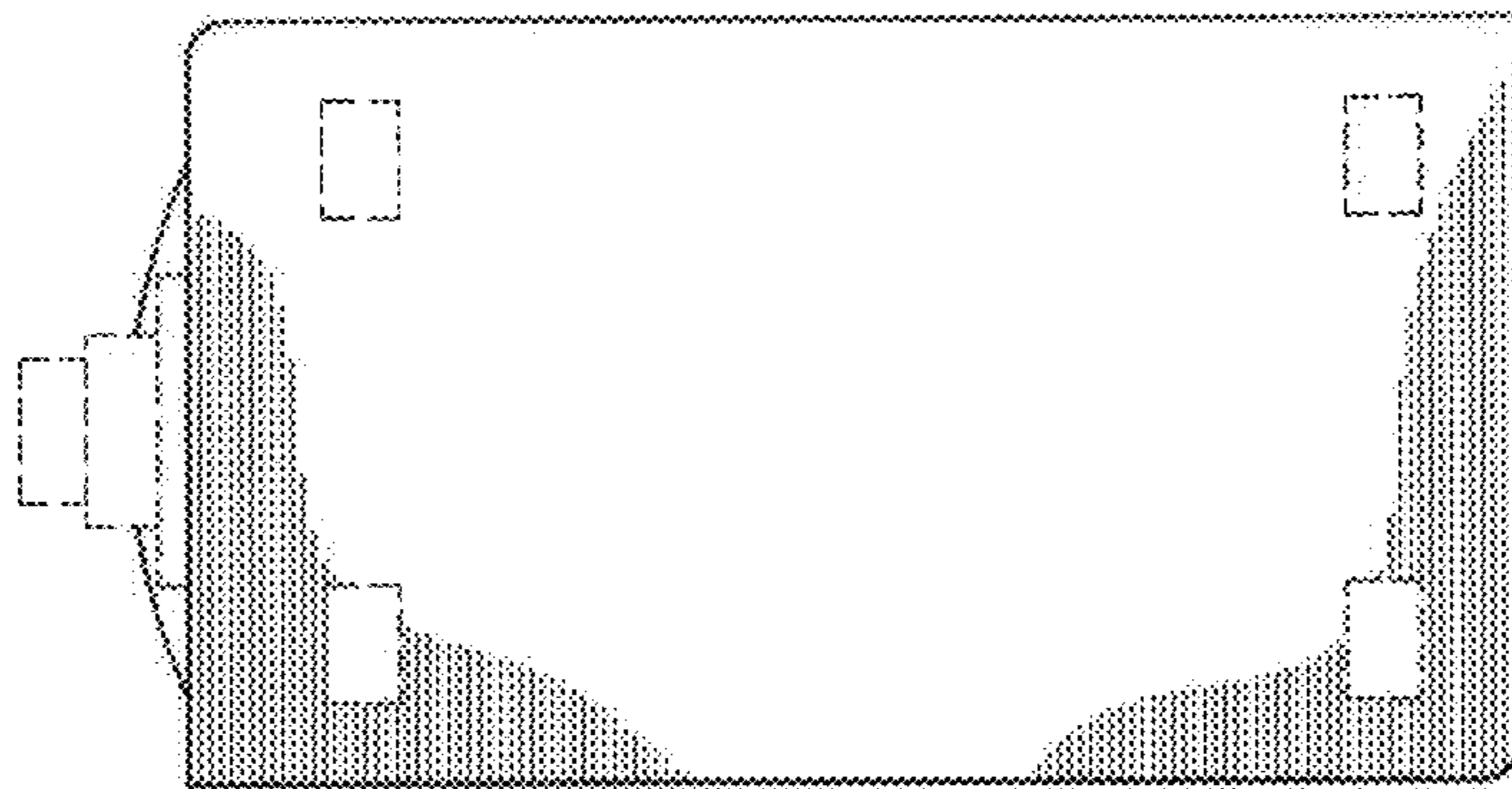


FIG. 5

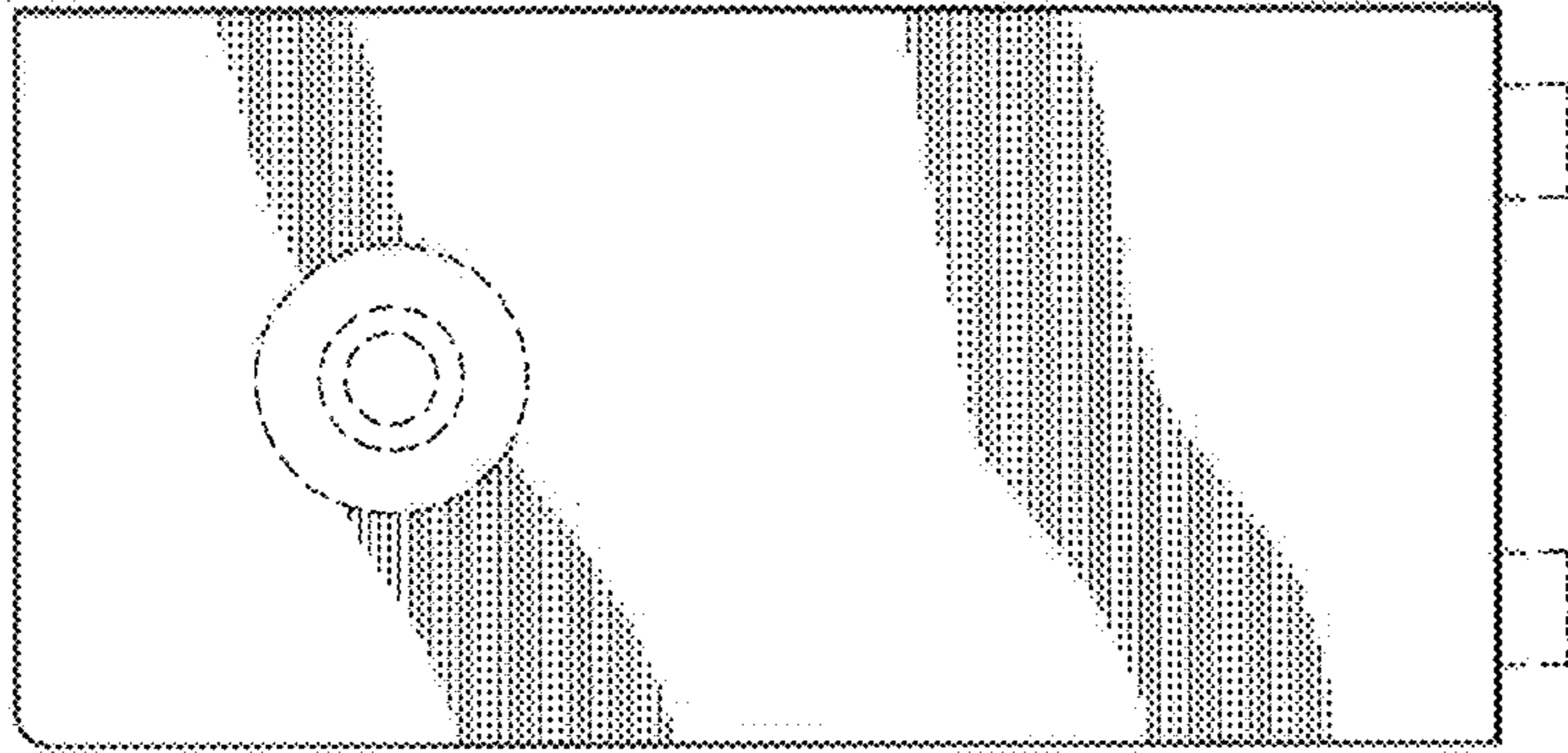


FIG. 7

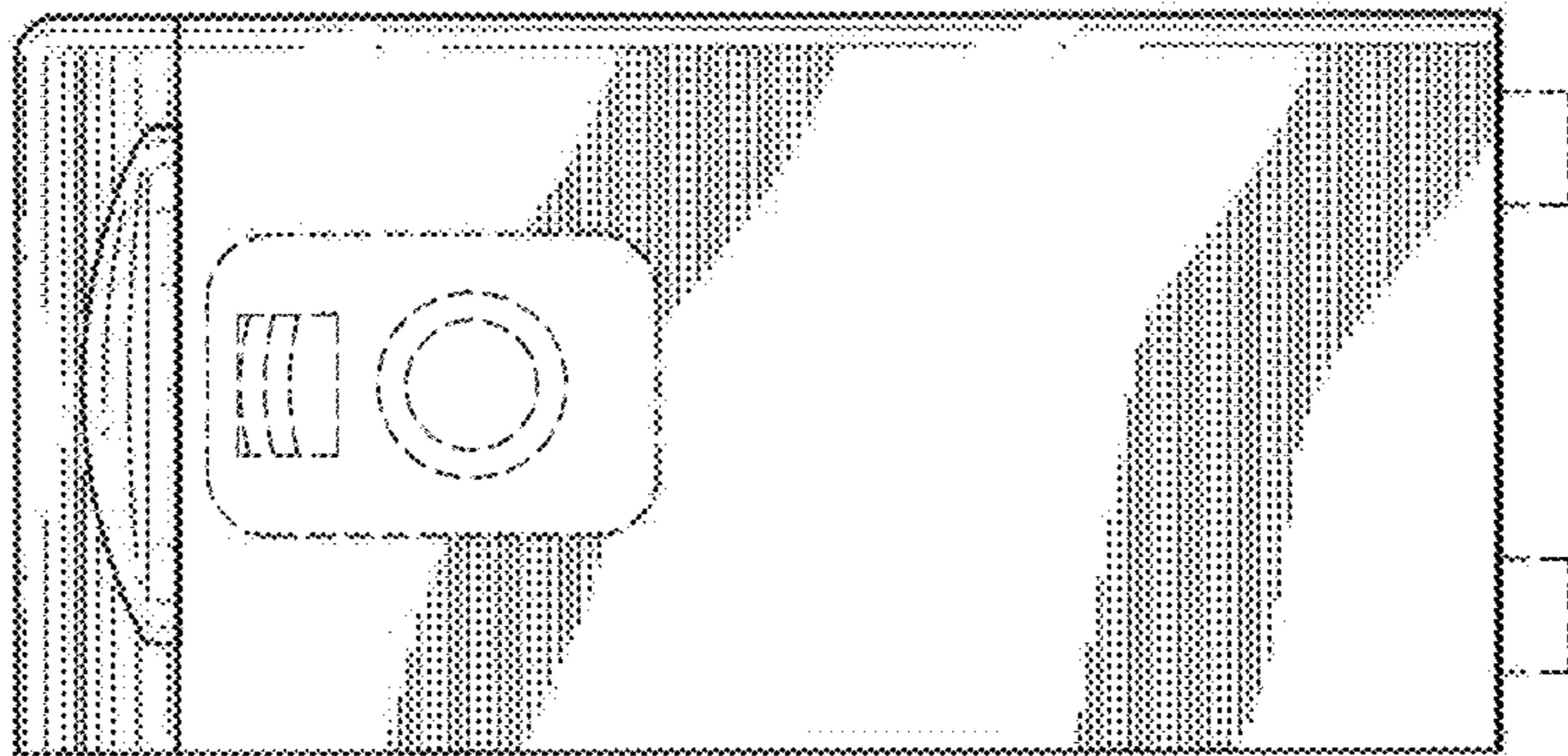


FIG. 6