



US00D692519S

(12) **United States Design Patent**
Nichols

(10) **Patent No.:** **US D692,519 S**
(45) **Date of Patent:** **** Oct. 29, 2013**

(54) **ARTIFICIAL SHRIMP FISHING LURE**

(71) Applicant: **D.O.A., Inc.**, Stuart, FL (US)

(72) Inventor: **Mark S. Nichols**, Stuart, FL (US)

(73) Assignee: **D.O.A., Inc.**, Stuart, FL (US)

(**) Term: **14 Years**

(21) Appl. No.: **29/446,121**

(22) Filed: **Feb. 20, 2013**

(51) **LOC (9) Cl.** **22-05**

(52) **U.S. Cl.**
USPC **D22/132**

(58) **Field of Classification Search**
USPC D22/126-133; 43/42.03, 42.39, 42.24,
43/42.37, 42.27, 42.7
See application file for complete search history.

(56) **References Cited**

U.S. PATENT DOCUMENTS

4,516,352 A *	5/1985	Firmin	43/42.37
D292,524 S	10/1987	Nichols	
D417,901 S *	12/1999	Poppell	D22/132
D487,584 S *	3/2004	Brinkman	D22/132
D498,813 S	11/2004	Nichols	
D517,641 S	3/2006	Nichols	

D518,140 S *	3/2006	Firmin	D22/132
7,185,457 B2	3/2007	Nichols	
2005/0204607 A1	9/2005	Nichols	

* cited by examiner

Primary Examiner — Catheri Oliver-Garcia

(74) *Attorney, Agent, or Firm* — Akerman Senterfitt;
Michael K. Dixon

(57) **CLAIM**

The ornamental design for an artificial shrimp fishing lure, as shown and described.

DESCRIPTION

FIG. 1 is a perspective view of an artificial shrimp fishing lure according to the invention affixed to a fishing lure.

FIG. 2 is a front view of the artificial shrimp fishing lure of FIG. 1.

FIG. 3 is a rear view of the artificial shrimp fishing lure of FIG. 1.

FIG. 4 is a right side view of the artificial shrimp fishing lure of FIG. 1.

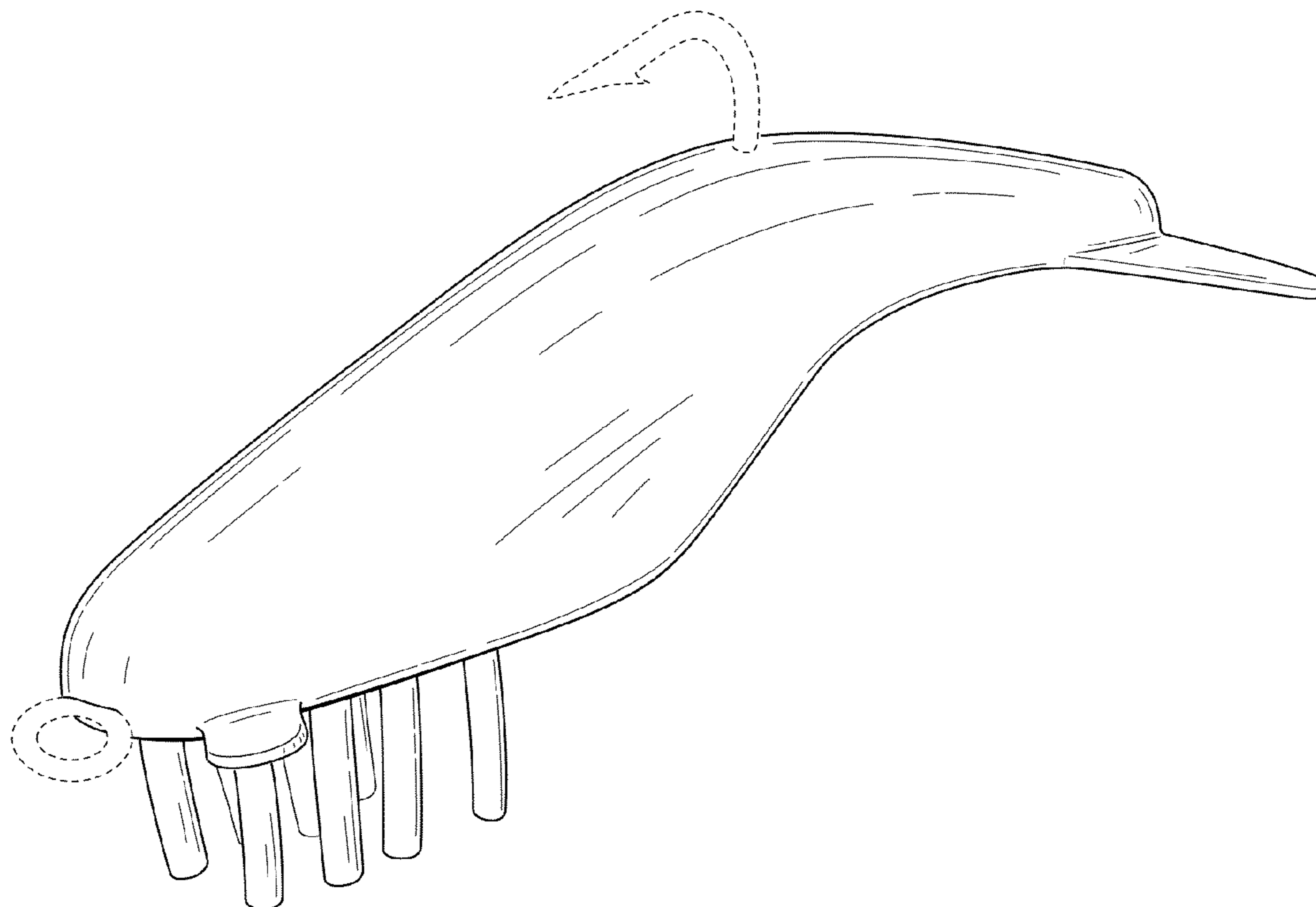
FIG. 5 is a left side view of the artificial shrimp fishing lure of FIG. 1.

FIG. 6 is a top view of the artificial shrimp fishing lure of FIG. 1; and,

FIG. 7 is a bottom view of the artificial shrimp fishing lure of FIG. 1.

The broken line showing of environment in the drawing is included for the purpose of illustrating only and forms no part of the claimed design.

1 Claim, 4 Drawing Sheets



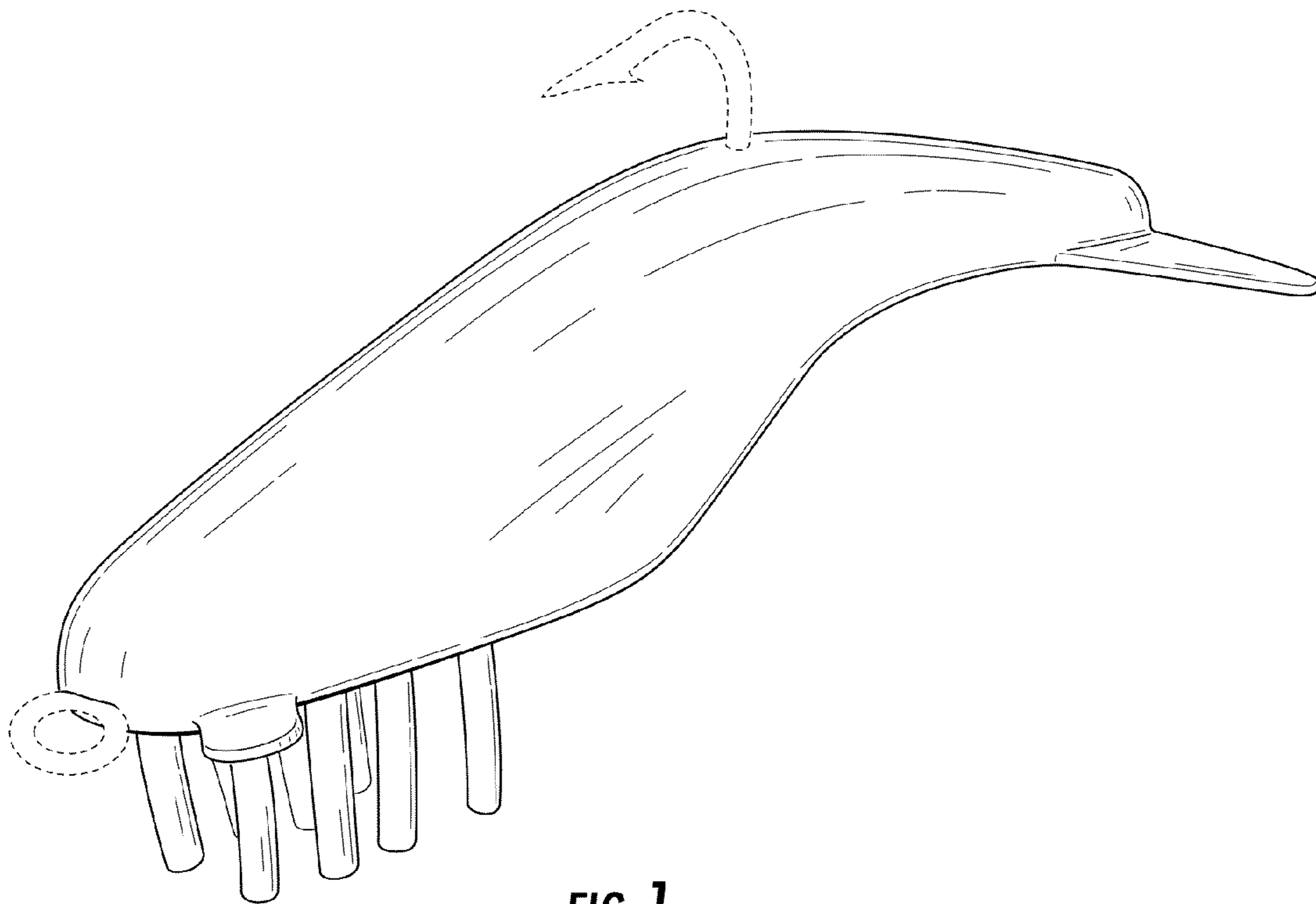


FIG. 1

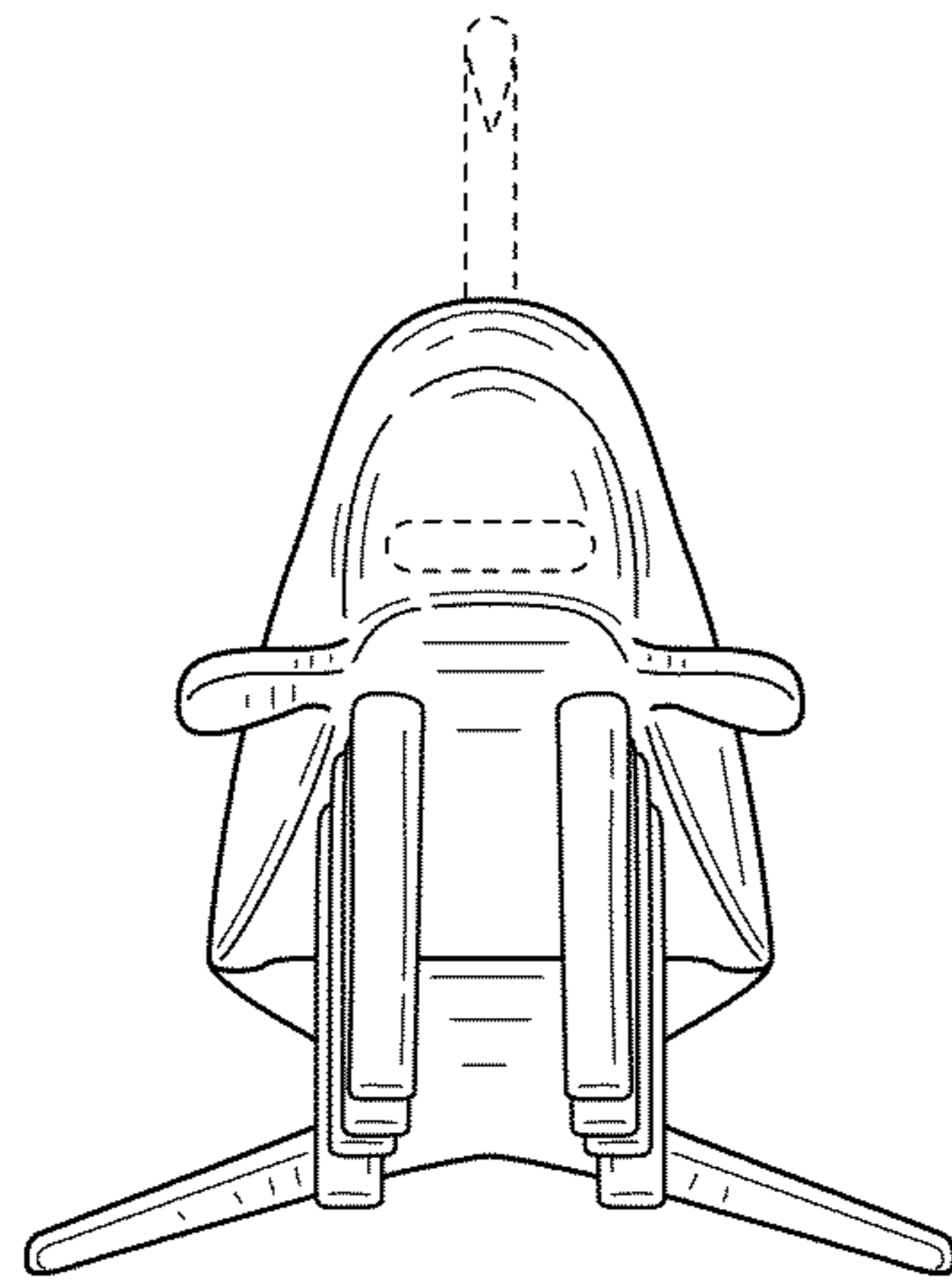


FIG. 2

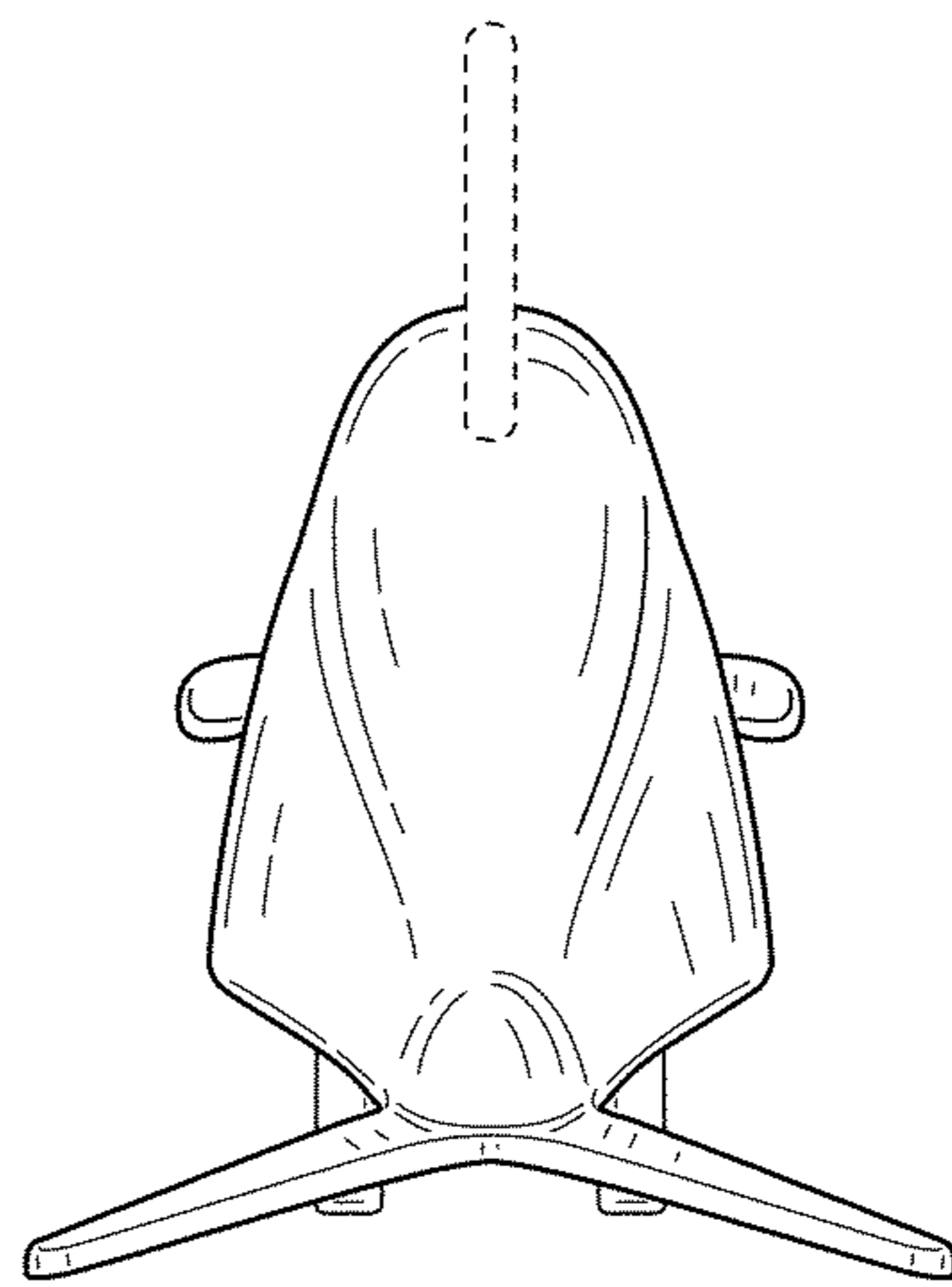


FIG. 3

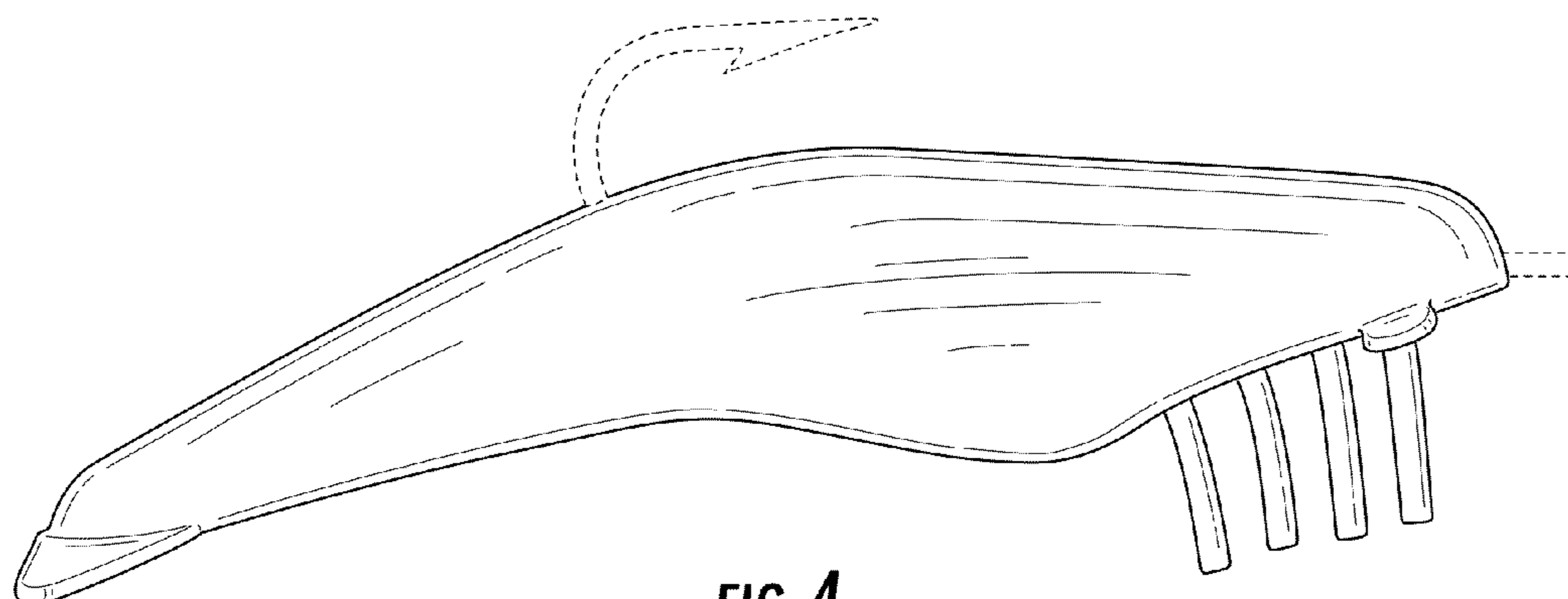


FIG. 4

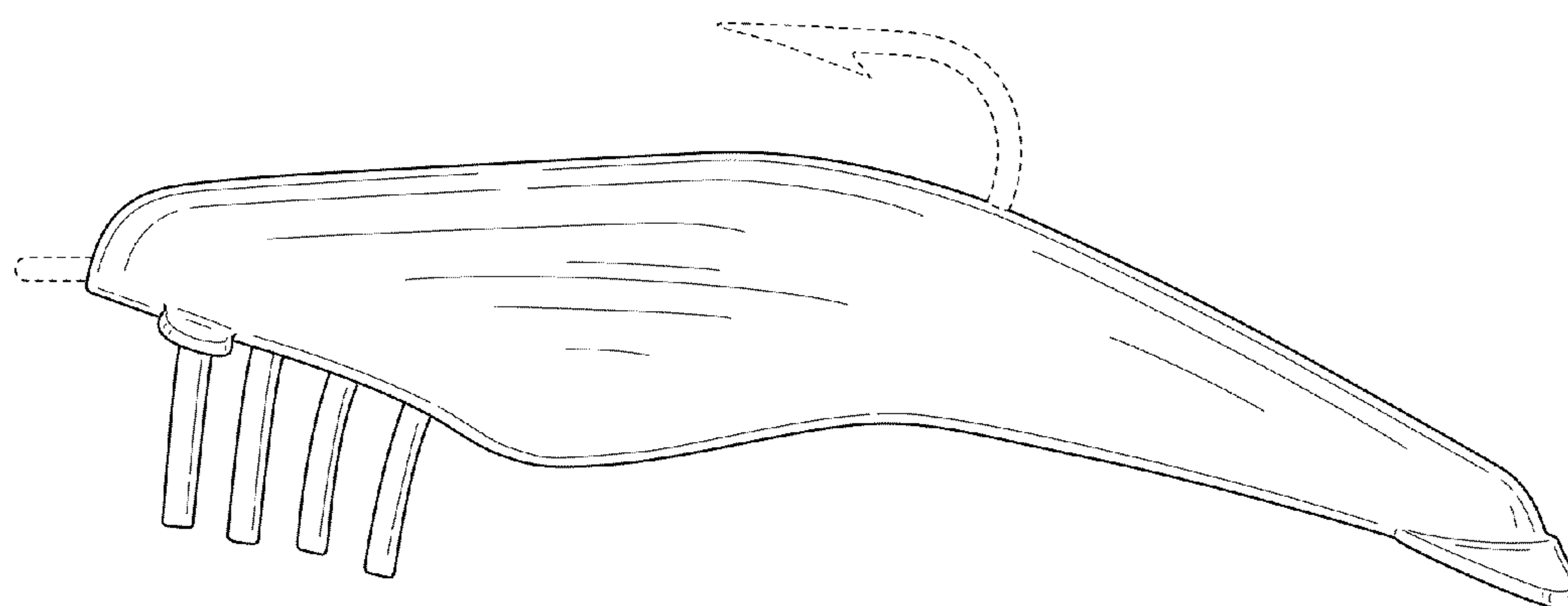


FIG. 5

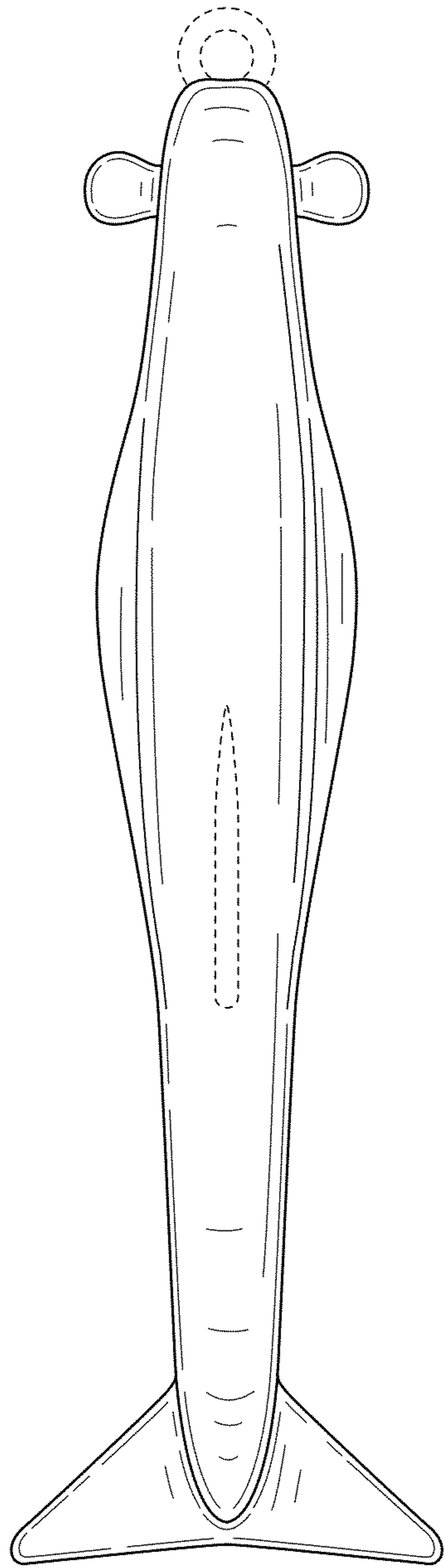


FIG. 6

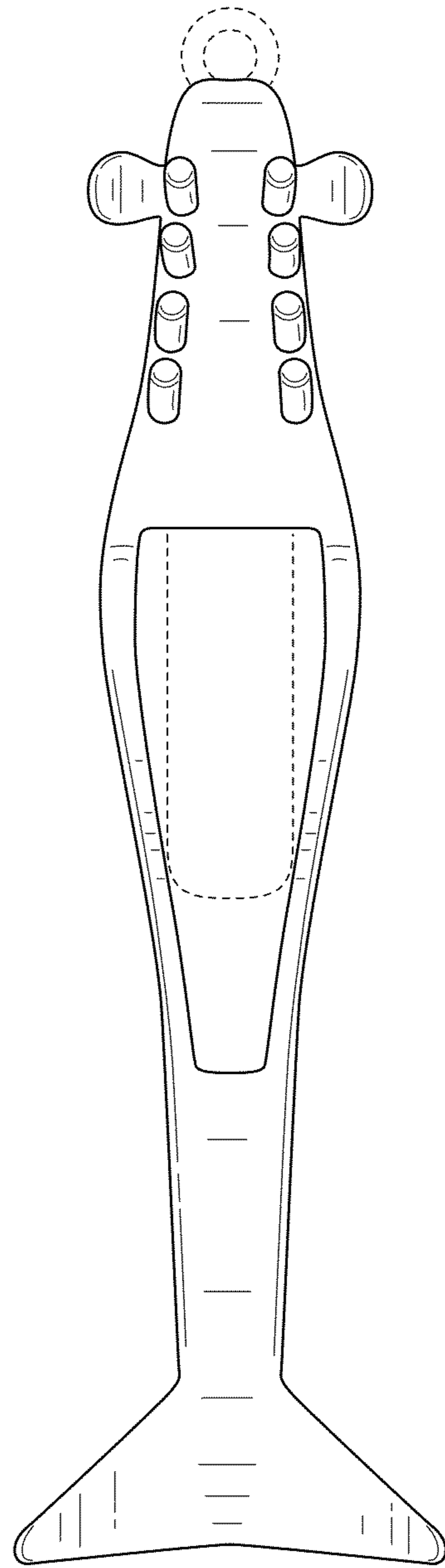


FIG. 7