



US00D692517S

(12) **United States Design Patent**  
**Faifer**

(10) **Patent No.:** **US D692,517 S**

(45) **Date of Patent:** **\*\* Oct. 29, 2013**

(54) **GRIP FOR A FIREARM**

(76) Inventor: **Sagi Faifer**, Mishmar Hashiva (IL)

(\*\*) Term: **14 Years**

(21) Appl. No.: **29/431,737**

(22) Filed: **Sep. 11, 2012**

(51) **LOC (9) Cl.** ..... **22-01**

(52) **U.S. Cl.**  
USPC ..... **D22/108**

(58) **Field of Classification Search**  
USPC ..... D22/100, 108, 199; 42/71.01-74;  
D8/68; 89/1.42

See application file for complete search history.

(56) **References Cited**

**U.S. PATENT DOCUMENTS**

D410,988 S \* 6/1999 Hines ..... D22/108  
D642,651 S \* 8/2011 Faifer ..... D22/108

8,151,504 B1 \* 4/2012 Aiston ..... 42/71.02  
2011/0283581 A1 \* 11/2011 Freed ..... 42/49.01  
2012/0017482 A1 \* 1/2012 Chvala ..... 42/71.01

\* cited by examiner

*Primary Examiner* — Michael A Pratt

(74) *Attorney, Agent, or Firm* — Deborah. Gadop

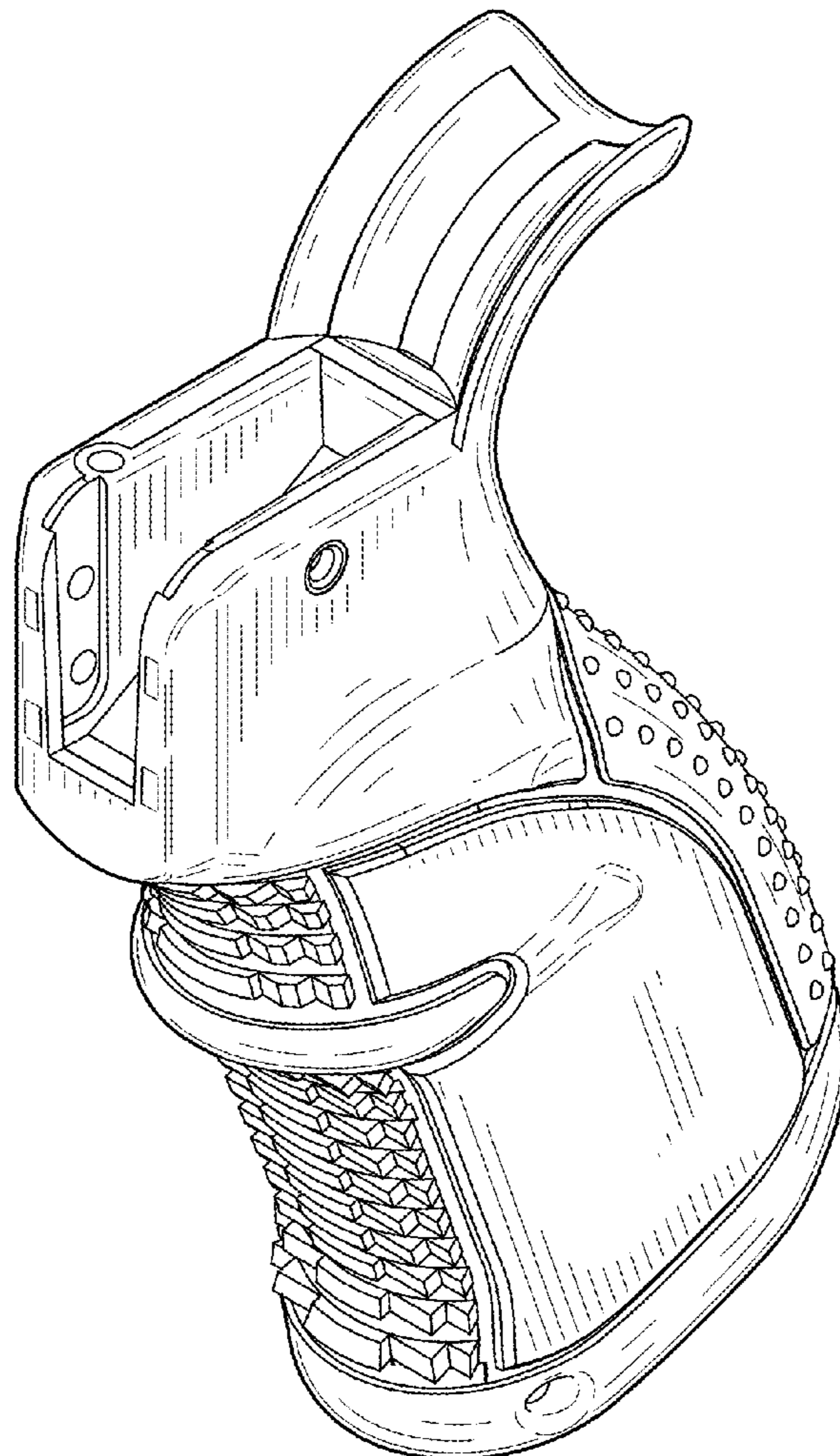
(57) **CLAIM**

The ornamental design for a grip for a firearm, as shown and described.

**DESCRIPTION**

FIG. 1 is a front perspective view from the top of the claimed grip for a firearm showing my new design;  
FIG. 2 is a left side view thereof;  
FIG. 3 is a front view thereof;  
FIG. 4 is a right side view thereof;  
FIG. 5 is a rear view thereof;  
FIG. 6 is a bottom view thereof; and,  
FIG. 7 is a top view thereof.

**1 Claim, 6 Drawing Sheets**



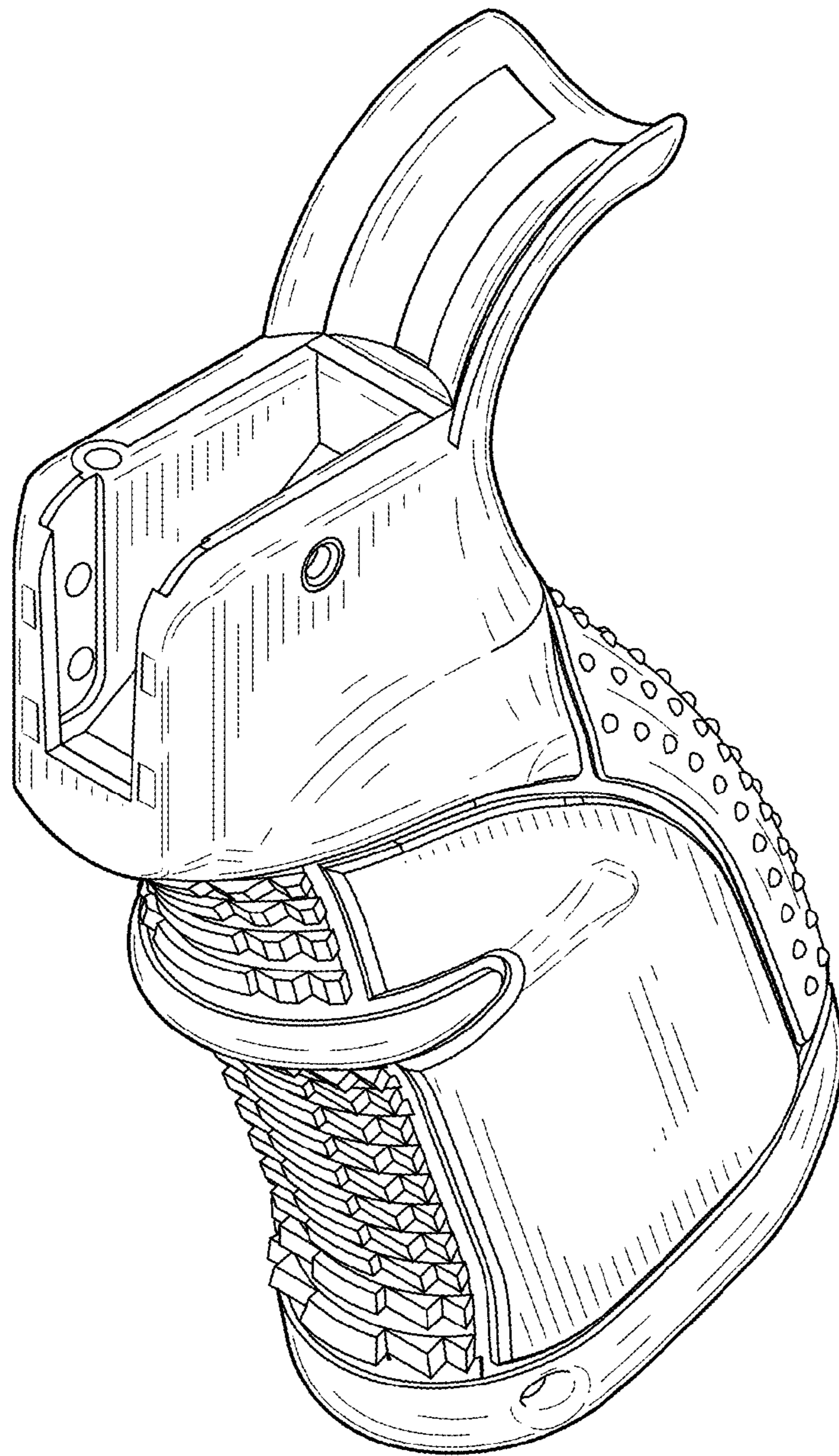


FIG.1

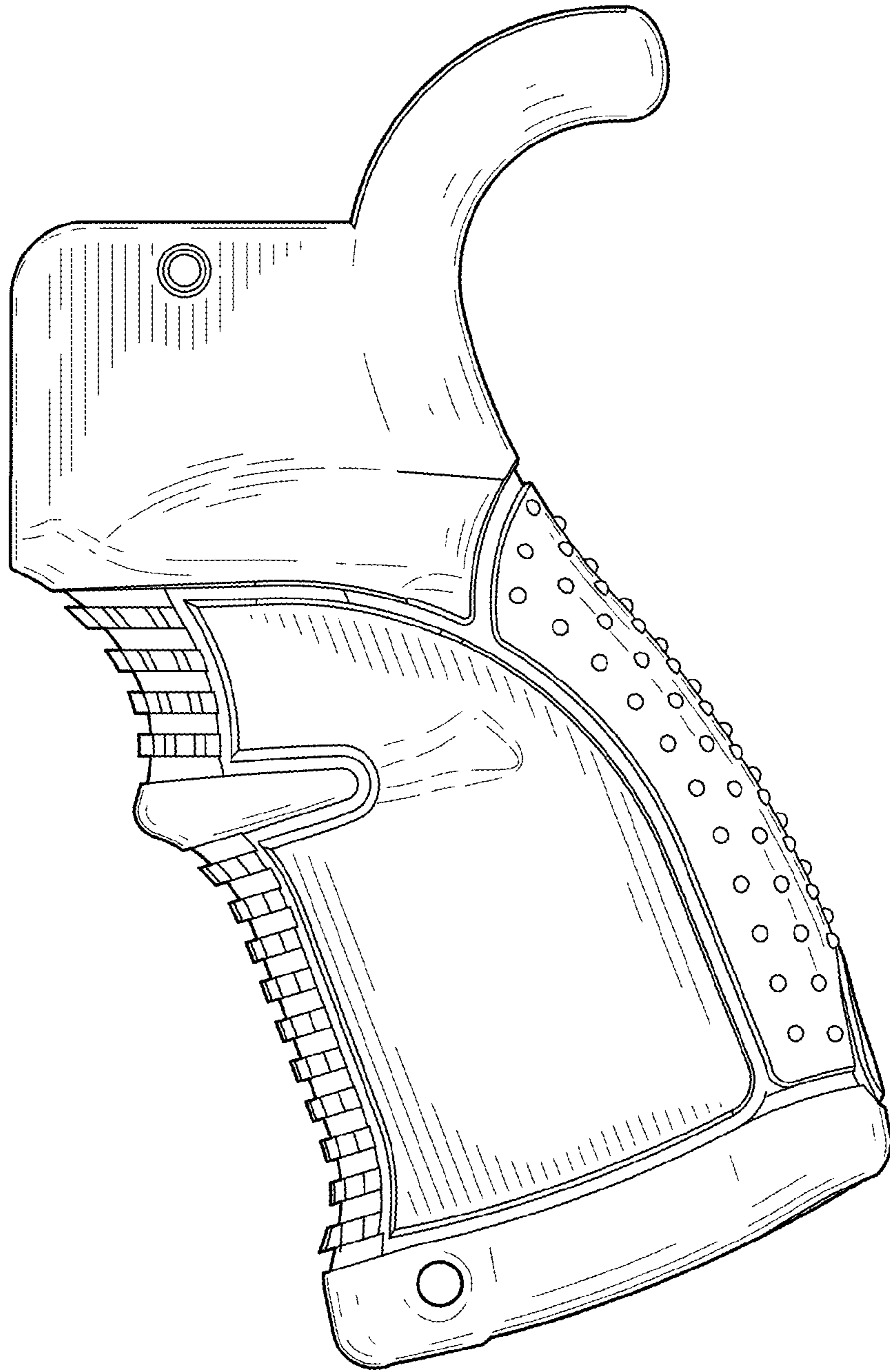


FIG. 2

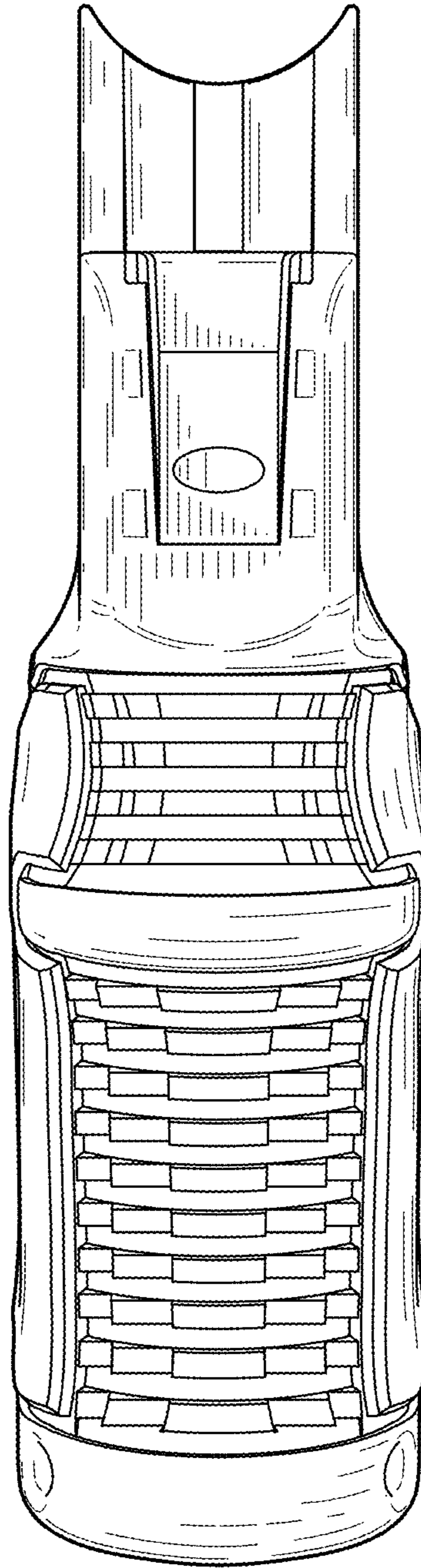


FIG. 3



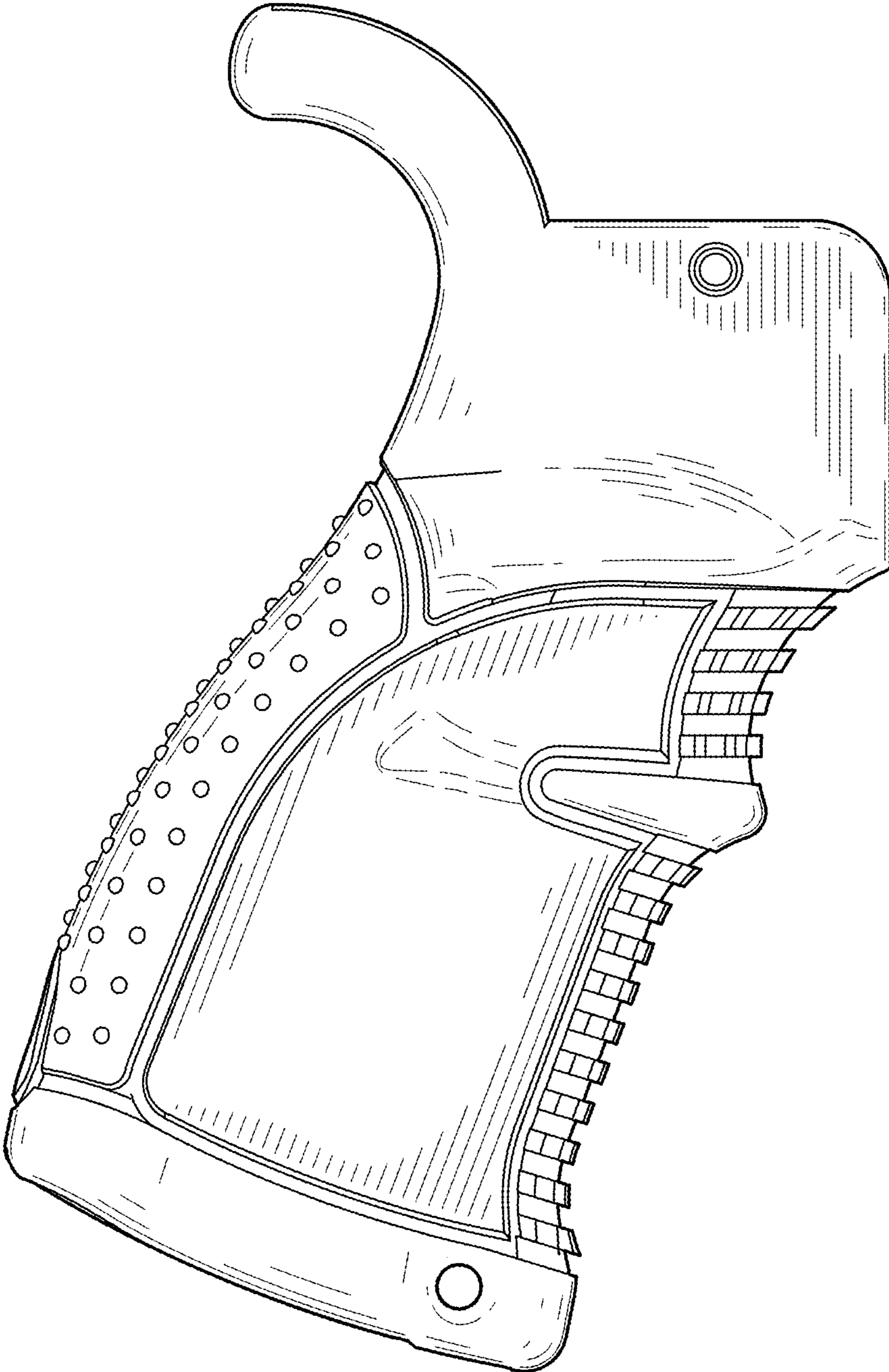


FIG. 4

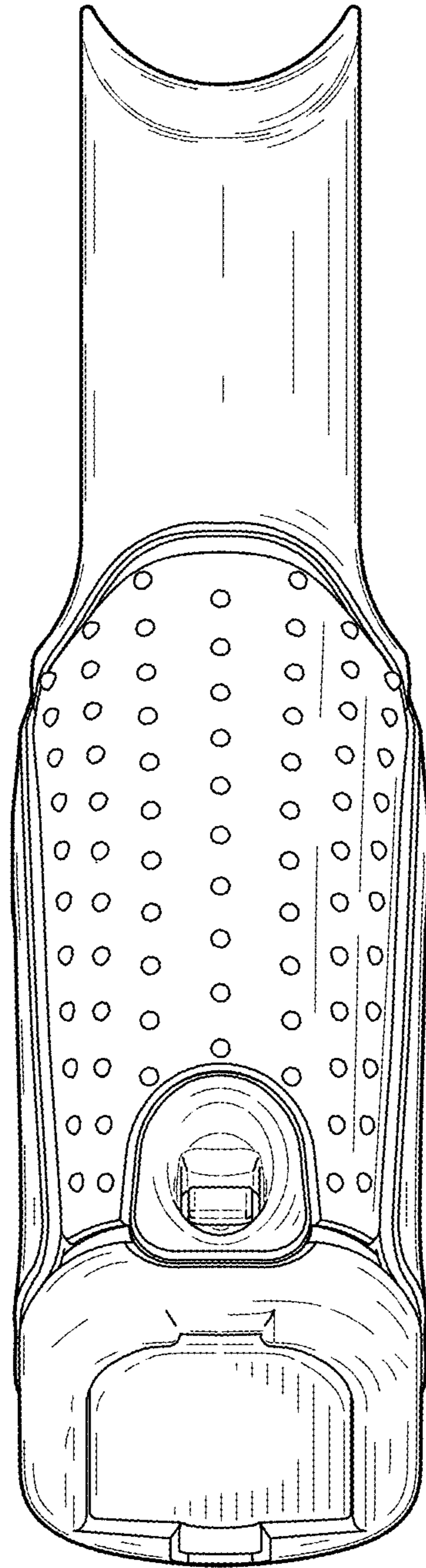


FIG. 5

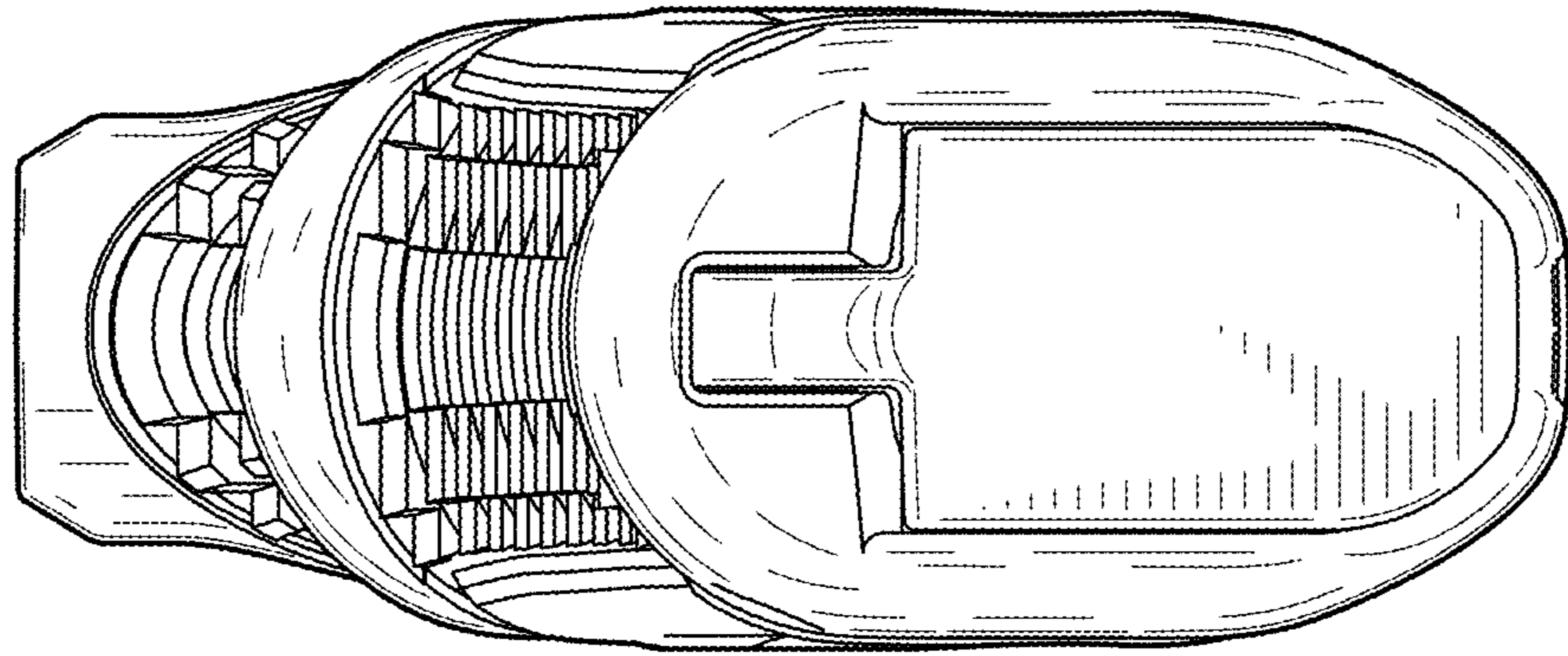


FIG. 6

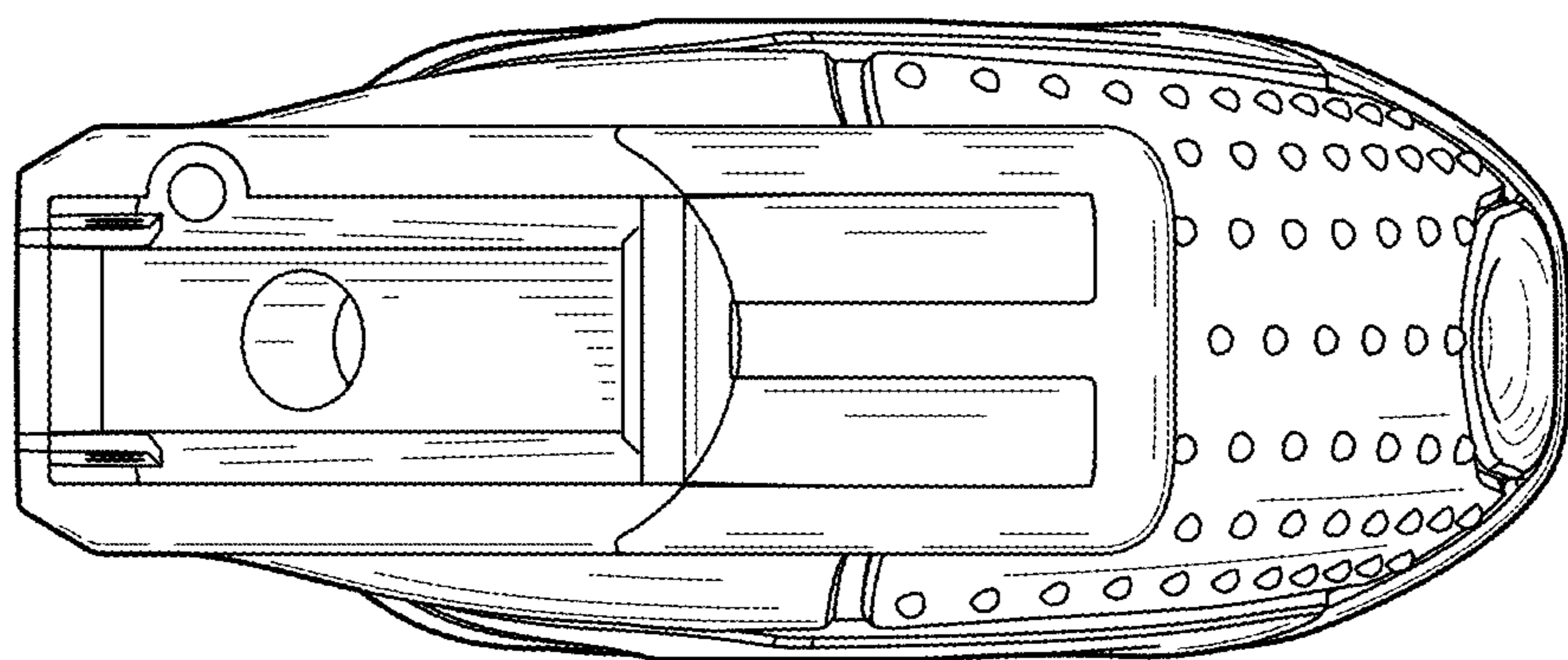


FIG. 7