



US00D692516S

(12) **United States Design Patent**
Yan et al.

(10) **Patent No.:** **US D692,516 S**
(45) **Date of Patent:** **** Oct. 29, 2013**

(54) **TWO-PIECE HAND GUARD FOR A RIFLE**

(75) Inventors: **Yuedong Yan**, Northville, MI (US);
Tai-Lai Ding, Northville, MI (US)

(73) Assignee: **Leapers, Inc.**, Livonia, MI (US)

(**) Term: **14 Years**

(21) Appl. No.: **29/430,298**

(22) Filed: **Aug. 23, 2012**

(51) **LOC (9) Cl.** **22-01**

(52) **U.S. Cl.**
USPC **D22/108**

(58) **Field of Classification Search**

USPC D22/103, 108; 42/1.01–1.07, 2, 10–26,
42/34, 36, 37, DIG. 1; 89/40.06, 41.19,
89/37.04, 33.04, 191.01, 200–204;
D21/572–575; 124/67, 66, 72, 74
See application file for complete search history.

(56) **References Cited**

U.S. PATENT DOCUMENTS

6,895,708 B2 * 5/2005 Kim et al. 42/72
D613,811 S * 4/2010 Swan D22/108
D639,376 S * 6/2011 Ding D22/108
D641,450 S * 7/2011 Ding D22/108
8,201,353 B1 * 6/2012 Swan 42/71.01
8,230,634 B1 * 7/2012 Davies et al. 42/75.02

8,276,303 B2 * 10/2012 Kapusta et al. 42/71.01
2011/0214327 A1 * 9/2011 Desomma 42/75.02
2012/0117845 A1 * 5/2012 Desomma 42/75.02
2012/0198990 A1 * 8/2012 Brittin 89/191.01
2013/0205636 A1 * 8/2013 Shull 42/72

* cited by examiner

Primary Examiner — Michael A Pratt

(74) *Attorney, Agent, or Firm* — Honigman Miller Schwartz
and Cohn LLP

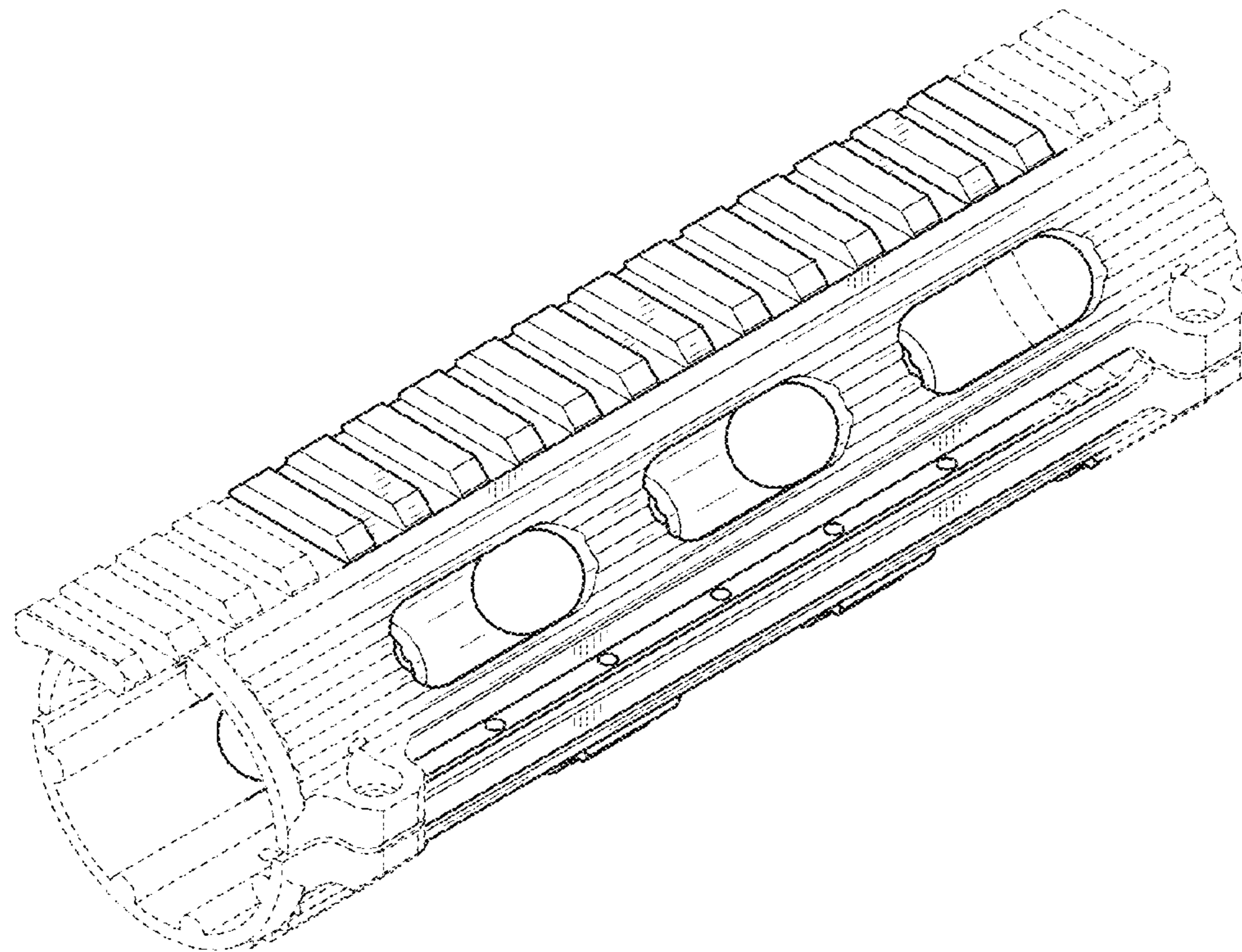
(57) **CLAIM**

The ornamental design for two-piece hand guard for a rifle, as
shown and described.

DESCRIPTION

FIG. 1 is a front/right side isometric view of the present
invention;
FIG. 2 is a front elevational view of the invention of FIG. 1;
FIG. 3 is a rear elevational view of the invention of FIG. 1;
FIG. 4 is a right side elevational view of the invention of FIG.
1;
FIG. 5 is a left side elevational view of the invention of FIG.
1;
FIG. 6 is a top view of the invention of FIG. 1; and,
FIG. 7 is a bottom view of the invention of FIG. 1.
The broken line showing of aspects of the two-piece hand
guard for a rifle is included for the purpose of illustrating
environment and forms no part of the claimed design.

1 Claim, 4 Drawing Sheets



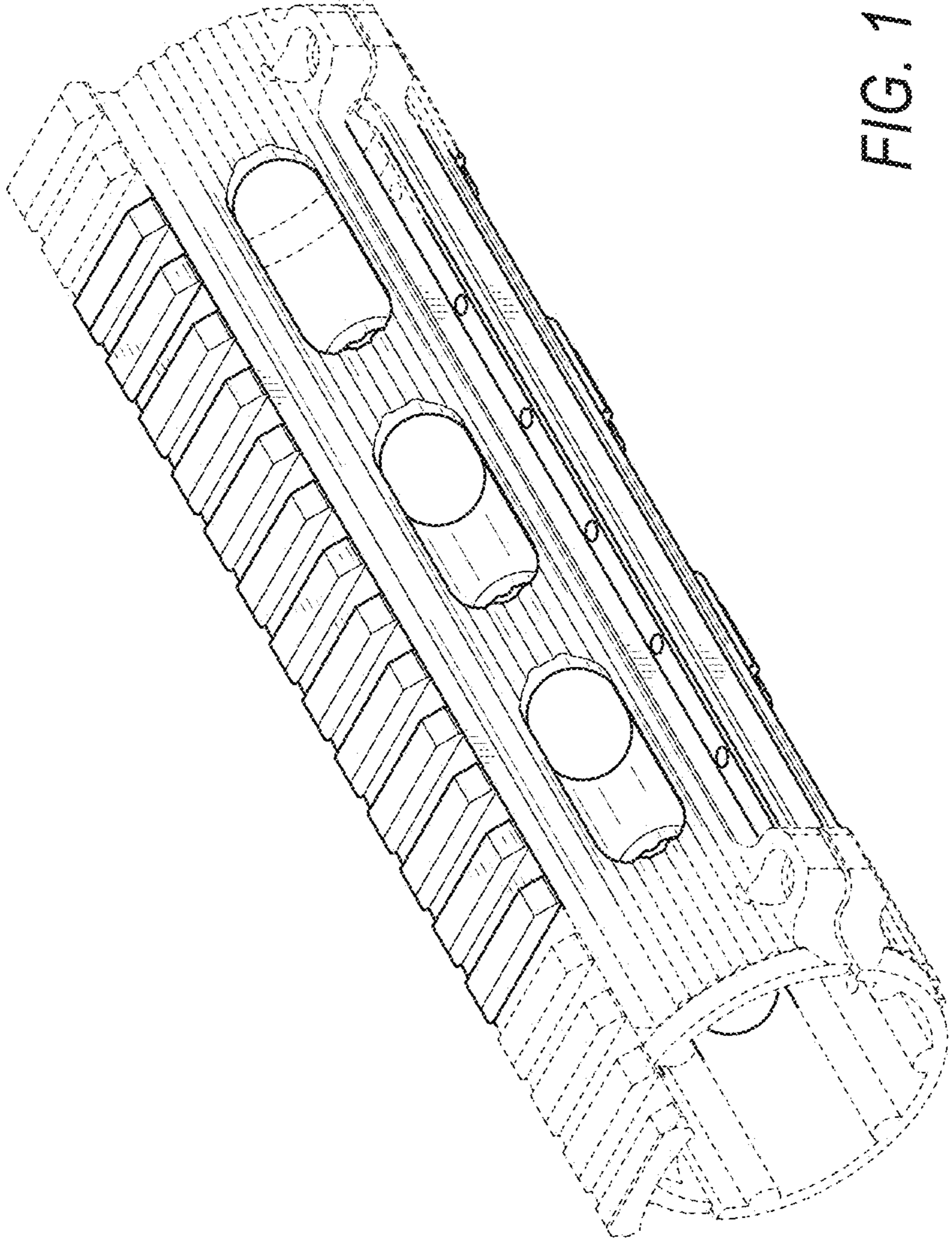


FIG. 1

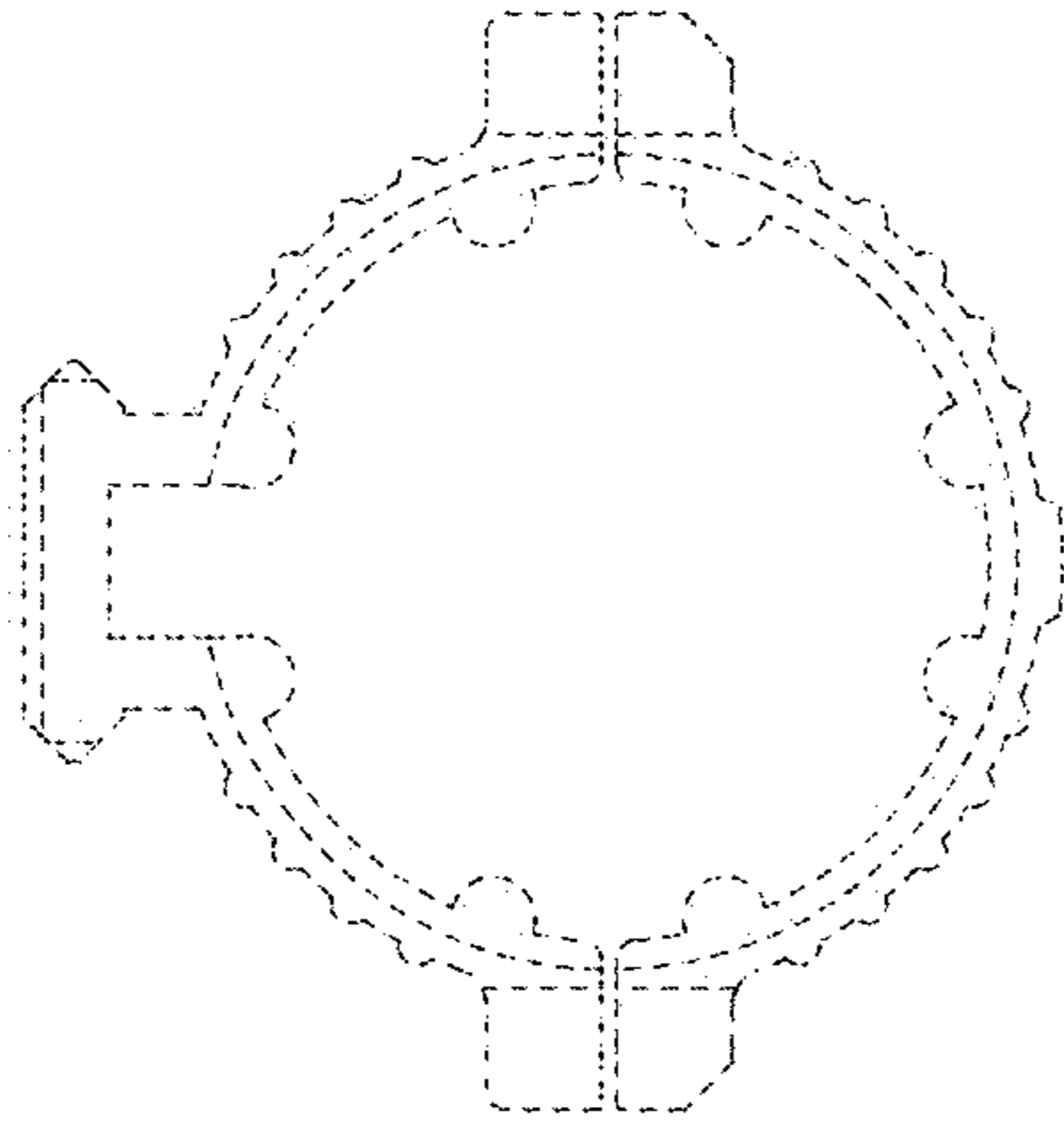


FIG. 3

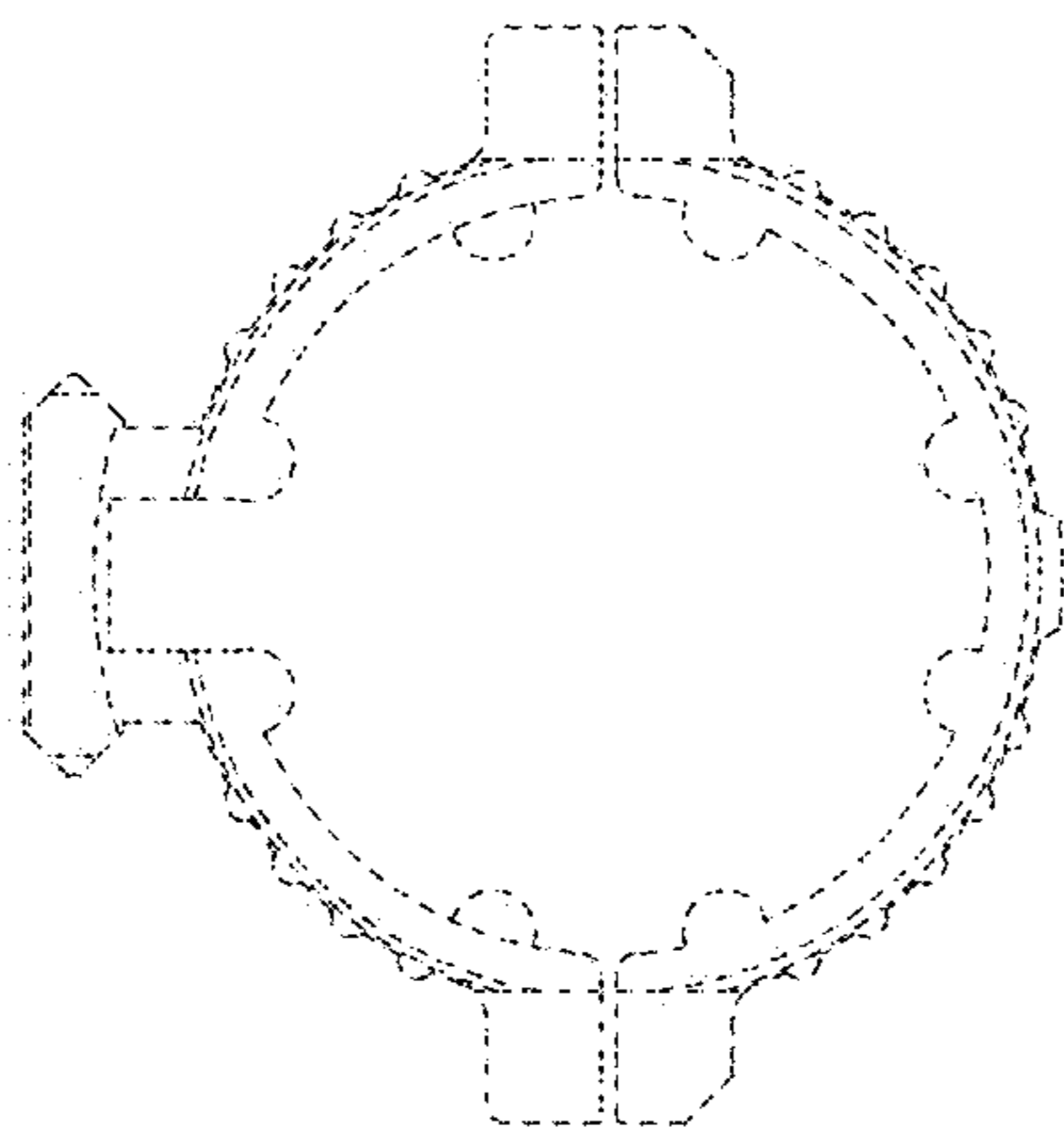


FIG. 2

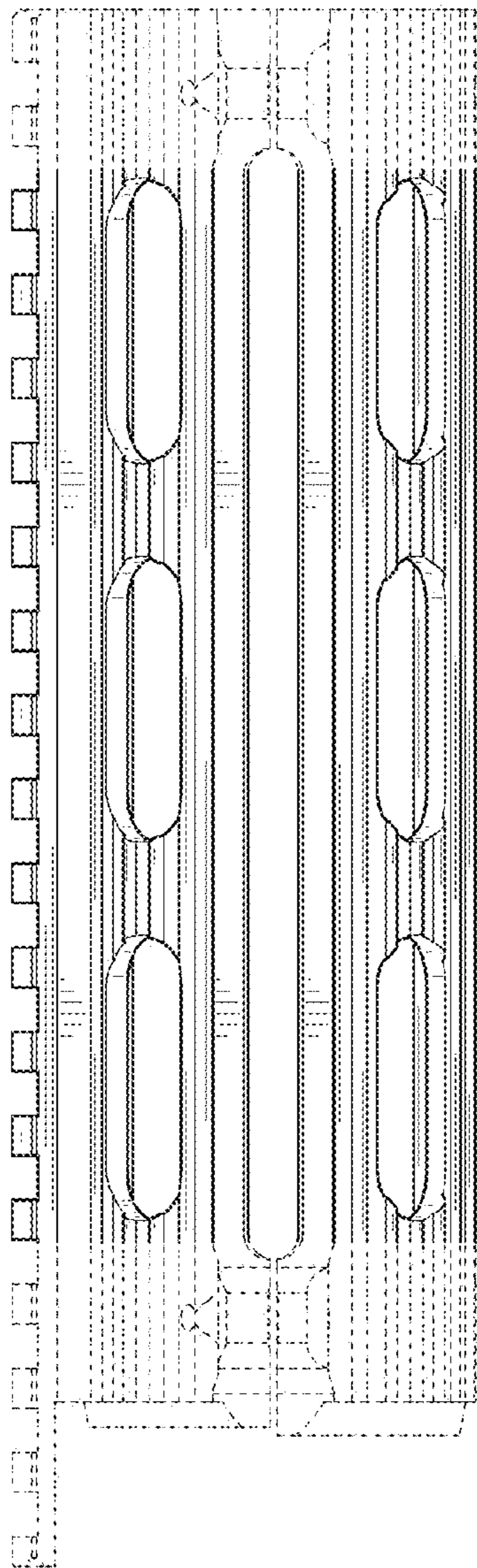


FIG. 4

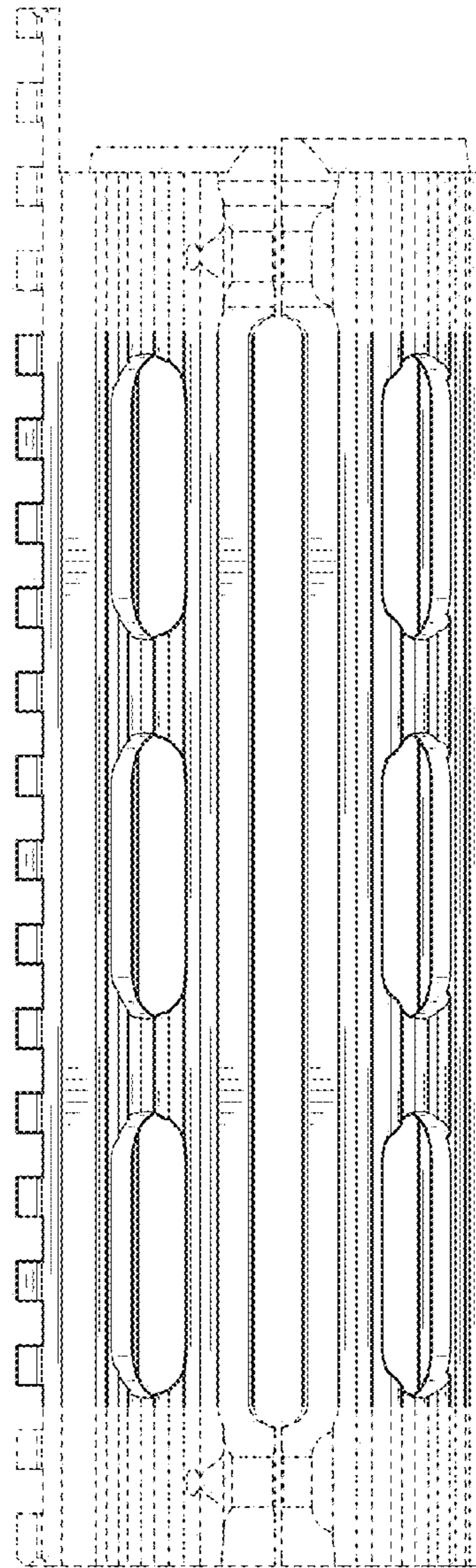


FIG. 5

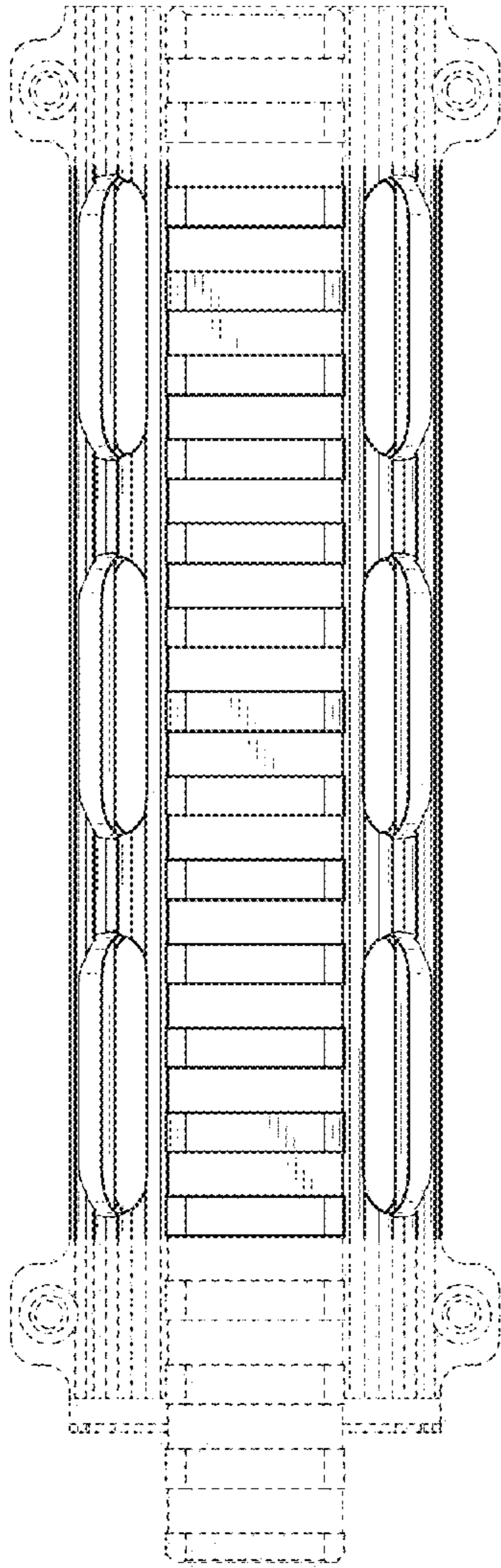


FIG. 6

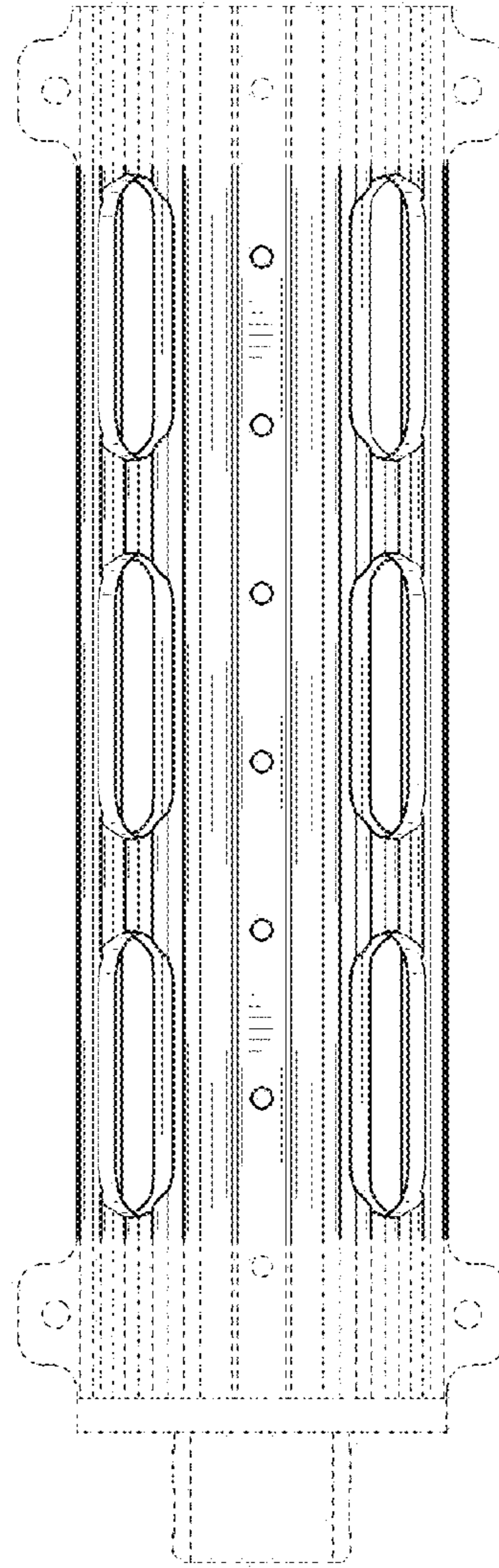


FIG. 7