



US00D692515S

(12) **United States Design Patent**
Galloway et al.

(10) **Patent No.:** **US D692,515 S**
(45) **Date of Patent:** **** Oct. 29, 2013**

(54) **AUXILIARY FIREARM GRIP**
(76) Inventors: **Kevin S. Galloway**, Salem, SC (US);
David Johnson, Salem, SC (US)
(**) Term: **14 Years**
(21) Appl. No.: **29/423,381**
(22) Filed: **May 31, 2012**
(51) **LOC (9) Cl.** **22-01**
(52) **U.S. Cl.**
USPC **D22/108**
(58) **Field of Classification Search**
USPC D22/100, 108, 199; D8/68;
42/71.01-74; 16/110.1, 405, 409-411,
16/429-430
See application file for complete search history.

7,243,454 B1 7/2007 Cahill
D585,517 S * 1/2009 Faifer et al. D22/108
7,506,409 B2 * 3/2009 Tillim 16/430
7,823,312 B2 11/2010 Faifer
D642,651 S * 8/2011 Faifer D22/108
D643,497 S * 8/2011 Fitzpatrick et al. D22/108
8,028,457 B2 10/2011 Moody et al.
D665,043 S * 8/2012 Fitzpatrick et al. D22/108
2003/0127085 A1 * 7/2003 Brunette et al. 124/74
2012/0272557 A1 * 11/2012 Yan 42/69.01

* cited by examiner

Primary Examiner — Michael A Pratt

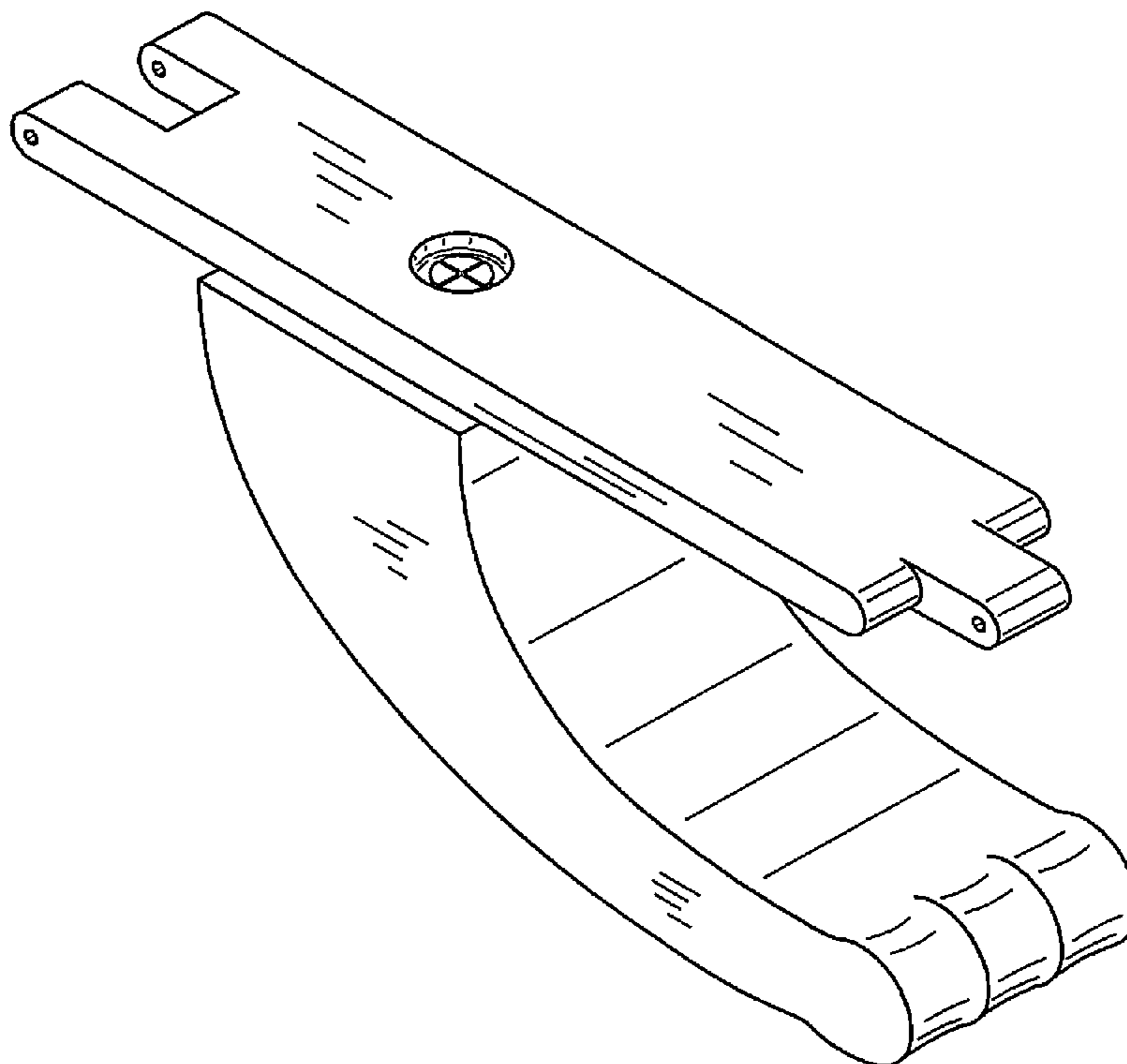
(57) **CLAIM**
The ornamental design for a auxiliary firearm grip, as shown and described.

DESCRIPTION

FIG. 1 is a front perspective view of an auxiliary firearm grip showing my new design;
FIG. 2 is a left side elevated view of the auxiliary firearm grip, a right side elevated view being a mirror image thereof;
FIG. 3 is a front elevated view of the auxiliary firearm grip;
FIG. 4 is a rear elevated view of the auxiliary firearm grip;
FIG. 5 is a top plan view of the auxiliary firearm grip;
FIG. 6 is a bottom plan view of the auxiliary firearm grip; and,
FIG. 7 is a side elevated view of the auxiliary firearm grip, the portions in phantom forming no part of the invention and being included for clarification purposes only.

1 Claim, 4 Drawing Sheets

(56) **References Cited**
U.S. PATENT DOCUMENTS
2,826,848 A * 3/1958 Davies 42/71.01
3,927,808 A 12/1975 Steen
4,321,765 A * 3/1982 Gillum 42/72
4,542,840 A 9/1985 Pepper, Sr. et al.
5,018,652 A 5/1991 Holtzclaw, Jr.
5,642,584 A 7/1997 Riggerbach
6,112,448 A 9/2000 Gray et al.
6,178,600 B1 1/2001 French
D472,798 S 4/2003 Kalbach



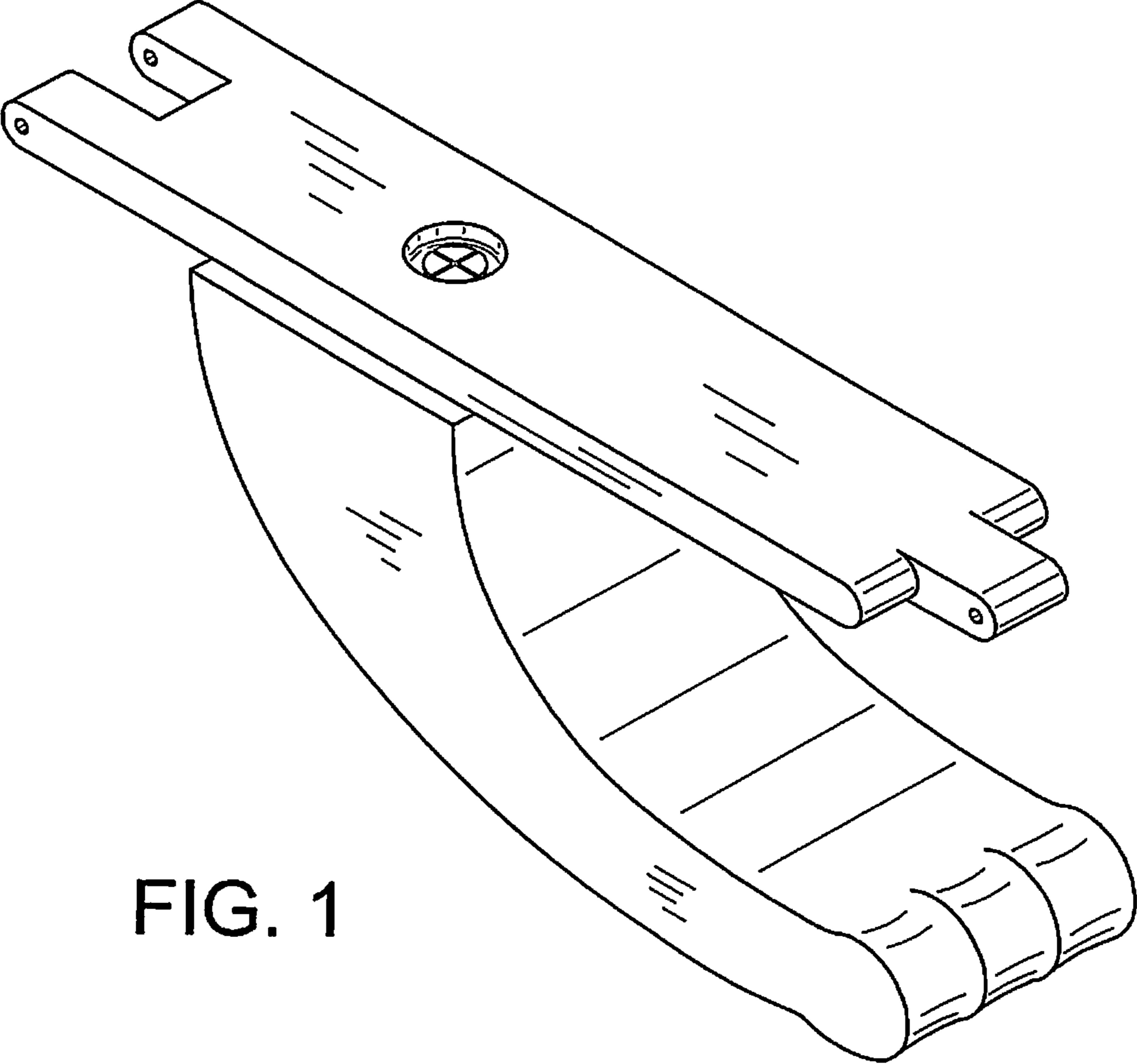


FIG. 1

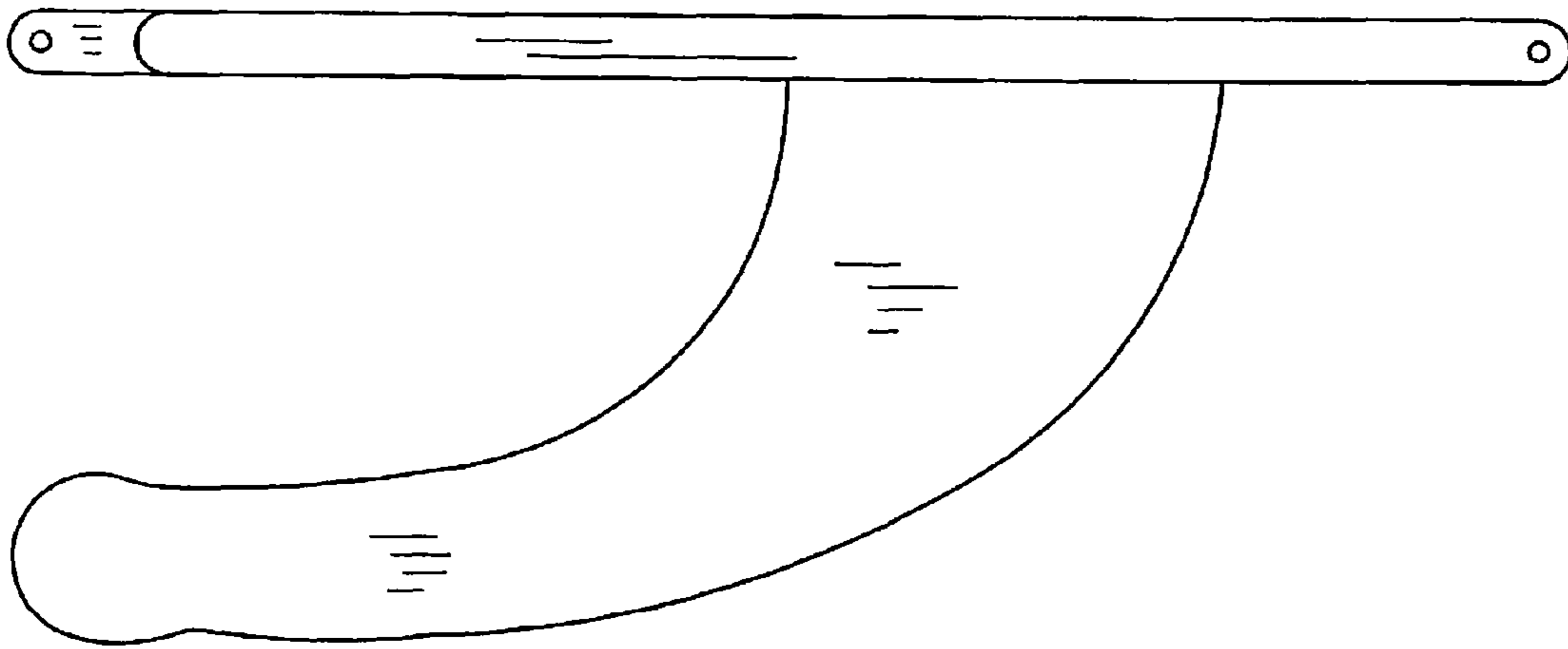


FIG. 2

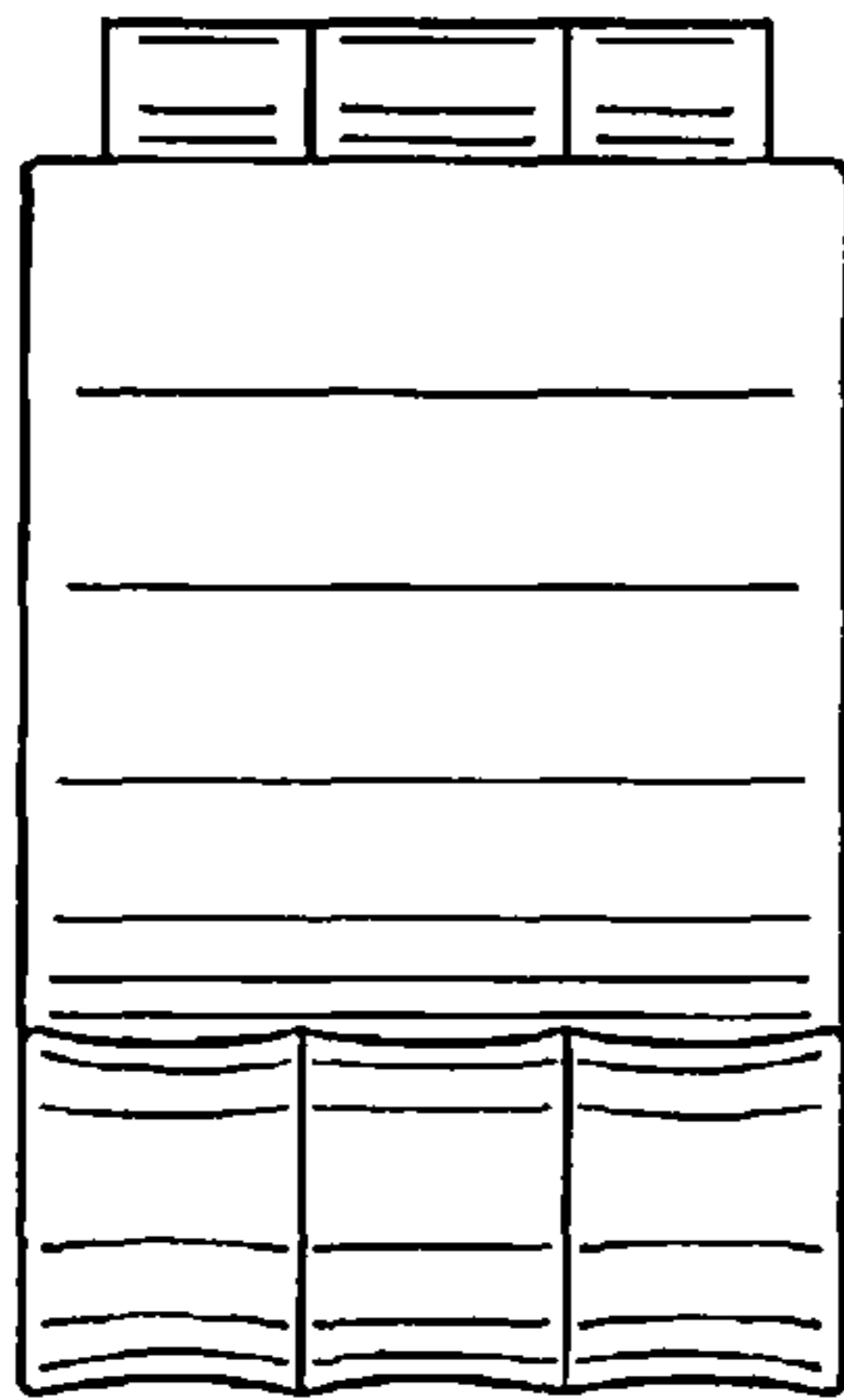


FIG. 3

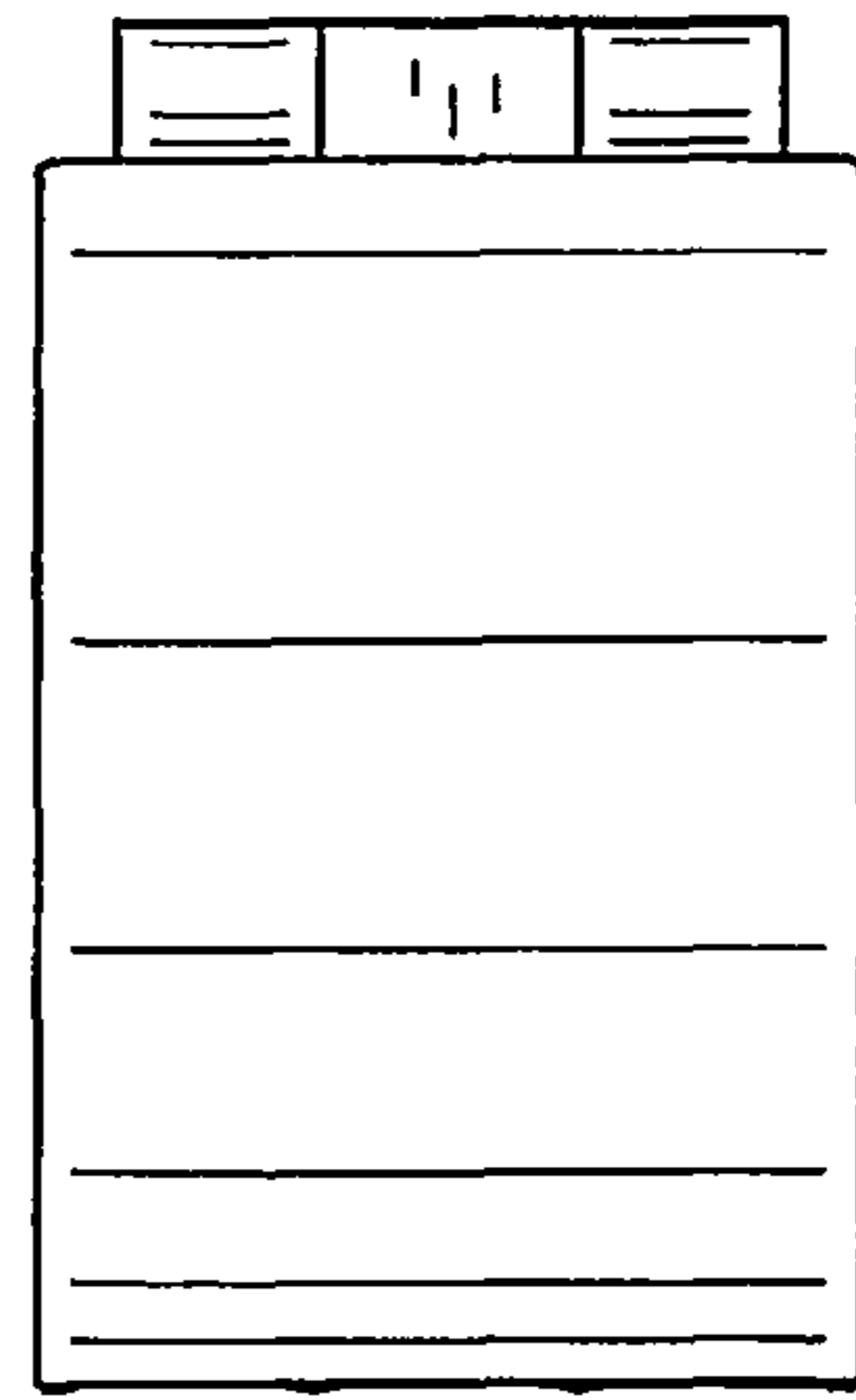


FIG. 4

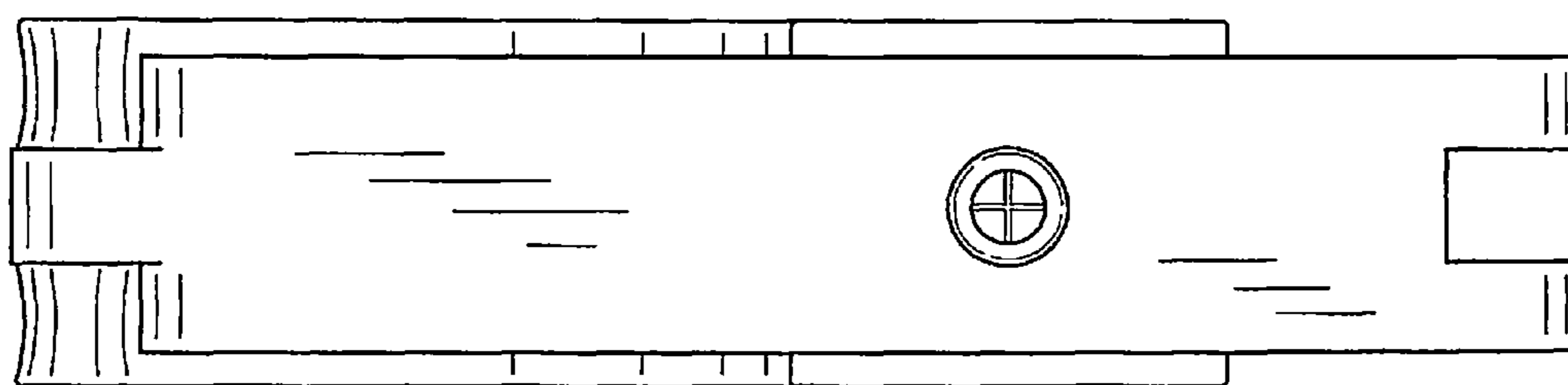


FIG. 5

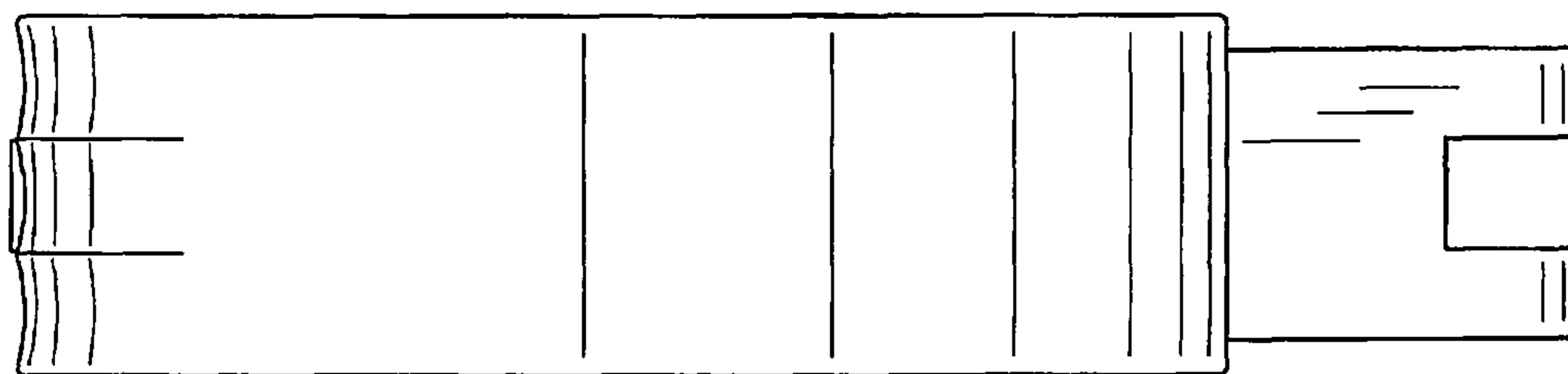


FIG. 6

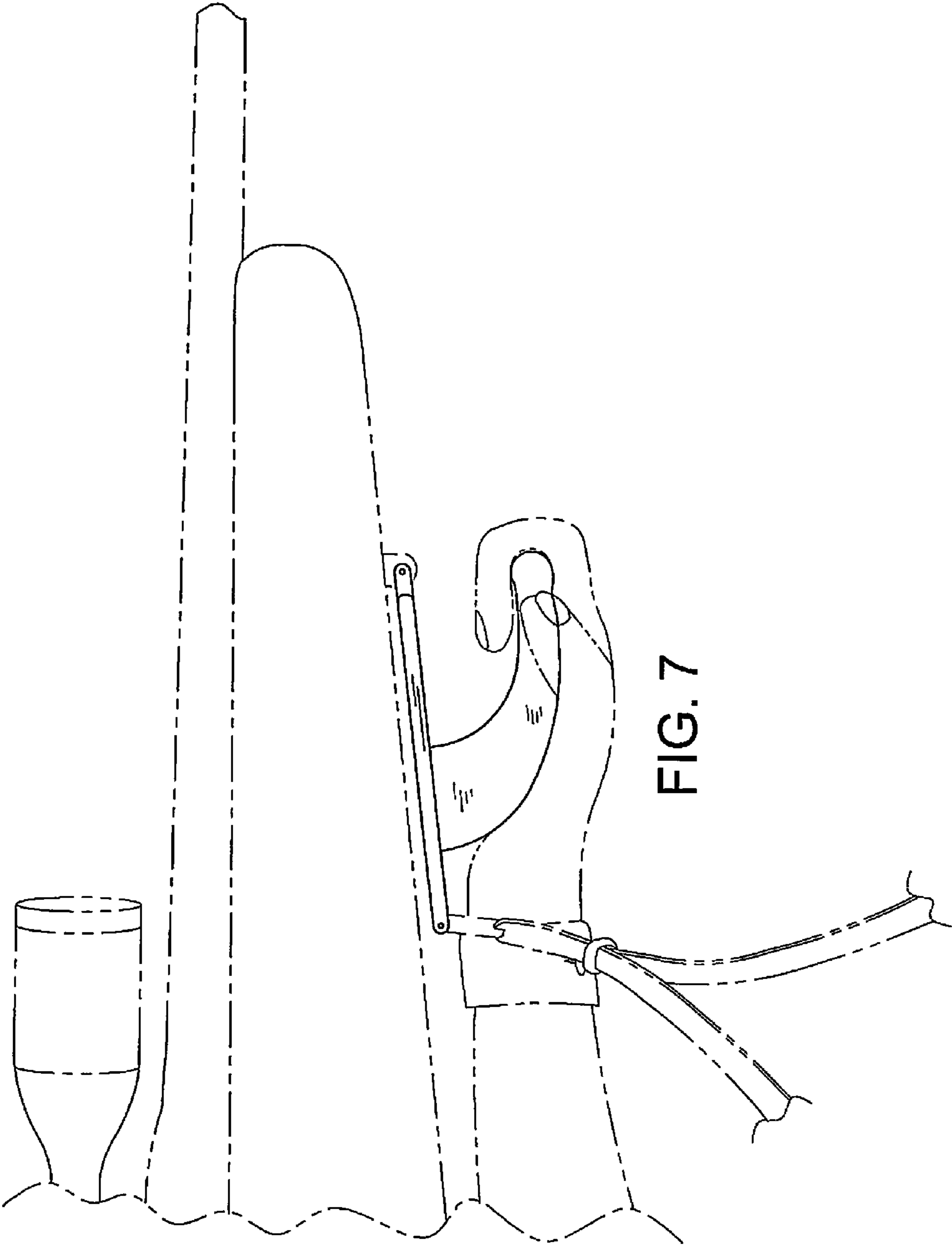


FIG. 7