

US00D692513S

(12) **United States Design Patent**
Yigit

(10) **Patent No.:** **US D692,513 S**

(45) **Date of Patent:** **** Oct. 29, 2013**

(54) **PISTOL**

(75) Inventor: **Zafer Yigit**, Istanbul (TR)

(73) Assignee: **Atak Silah Sanayi Ve Ticaret Limited Sirketti**, Istanbul (TR)

(**) Term: **14 Years**

(21) Appl. No.: **29/423,629**

(22) Filed: **Jun. 3, 2012**

(51) **LOC (9) Cl.** **22-01**

(52) **U.S. Cl.**
USPC **D22/104**

(58) **Field of Classification Search**
USPC D22/104; D21/572-575; 89/40.06,
89/41.19, 37.04, 33.04, 191.01, 200-204;
124/67, 66, 72, 74

See application file for complete search history.

(56) **References Cited**

U.S. PATENT DOCUMENTS

D359,098 S	6/1995	Stevens	
D387,841 S	12/1997	Hochstrate et al.	
D387,842 S	12/1997	Kaminski et al.	
D430,916 S	9/2000	Bubits	
D479,570 S	9/2003	Scheunert	
D505,475 S	5/2005	Salva	
D505,476 S	5/2005	McGarry	
D516,661 S *	3/2006	McGarry	D22/104
7,290,539 B2 *	11/2007	Maeda et al.	124/74
D574,053 S *	7/2008	McGarry	D22/104
D579,072 S	10/2008	McGarry	
D583,896 S	12/2008	McGarry	
D597,625 S	8/2009	Pflaumer et al.	

D598,065 S	8/2009	Vukovic et al.	
D599,430 S	9/2009	Siddle et al.	
D627,028 S	11/2010	Coulombier	
D650,880 S *	12/2011	McGarry	D22/104
D651,275 S	12/2011	Emde et al.	
D654,978 S *	2/2012	Karanian et al.	D22/104
D671,610 S *	11/2012	Nebeker et al.	D22/104

OTHER PUBLICATIONS

<http://www.google.com/...imgurl=http://www.replicairguns.com/storage/post-images/Zoraki%252520M906%252520Hand%25252021,20133:31:04PM>.*

<http://www.google.com/...age=1&tbnh=132&tbnw=182&start=0&ndsp=36&ved=1t:429,r:12,s:0,i:119&biw=1600&bih=1064>.*

* cited by examiner

Primary Examiner — Michael A Pratt

(74) *Attorney, Agent, or Firm* — Arc IP Law, PC; Joseph J. Mayo

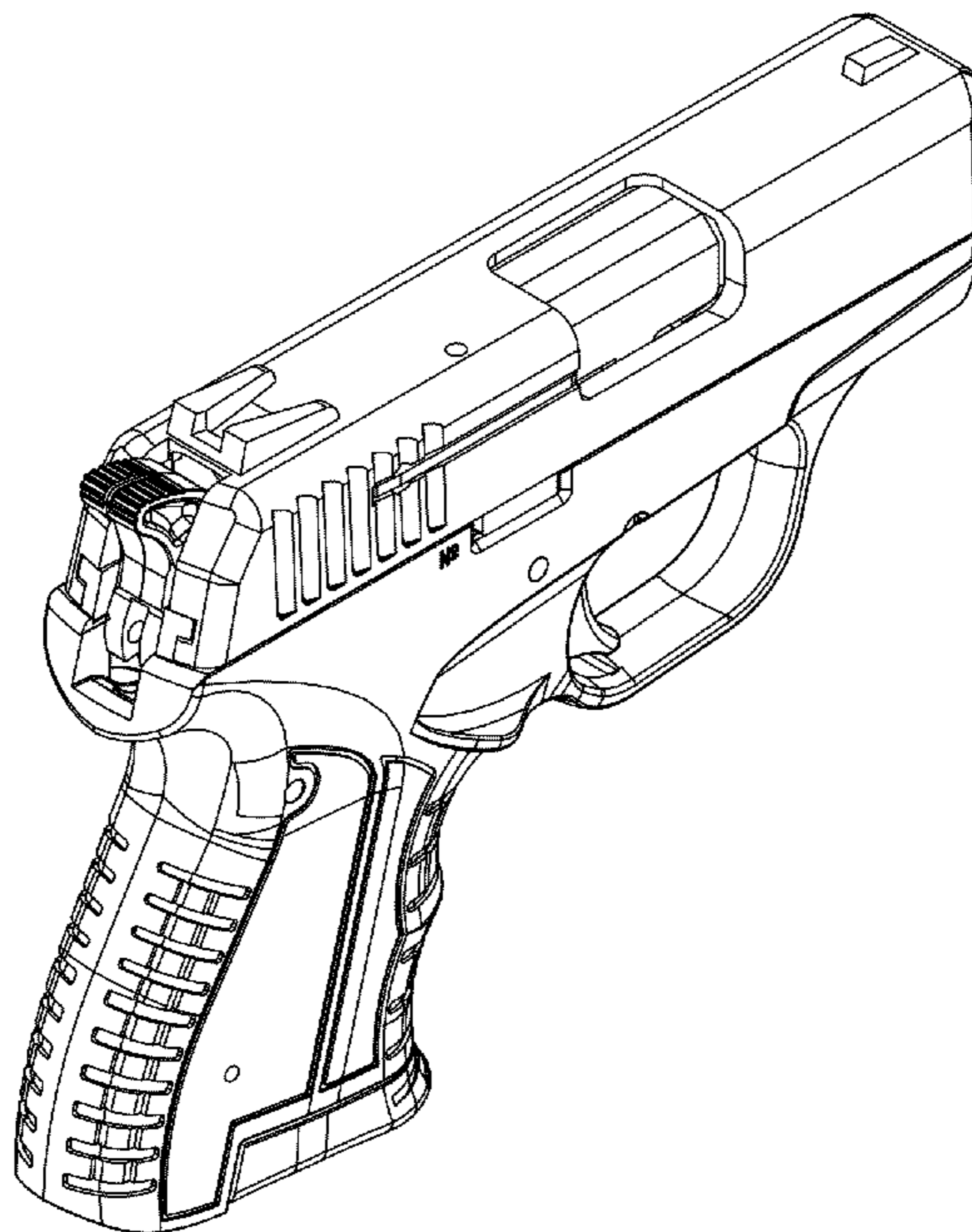
(57) **CLAIM**

The ornamental design for a pistol, as shown and described.

DESCRIPTION

FIG. 1 is an isometric right rear view of the pistol.
FIG. 2 is an isometric left rear view of the pistol.
FIG. 3 is an isometric right front view of the pistol.
FIG. 4 is an isometric left front view of the pistol.
FIG. 5 is a right side view of the pistol.
FIG. 6 is a left side view of the pistol.
FIG. 7 is a top view of the pistol.
FIG. 8 is a bottom view of the pistol.
FIG. 9 is a front view of the pistol; and,
FIG. 10 is a rear view of the pistol.

1 Claim, 10 Drawing Sheets



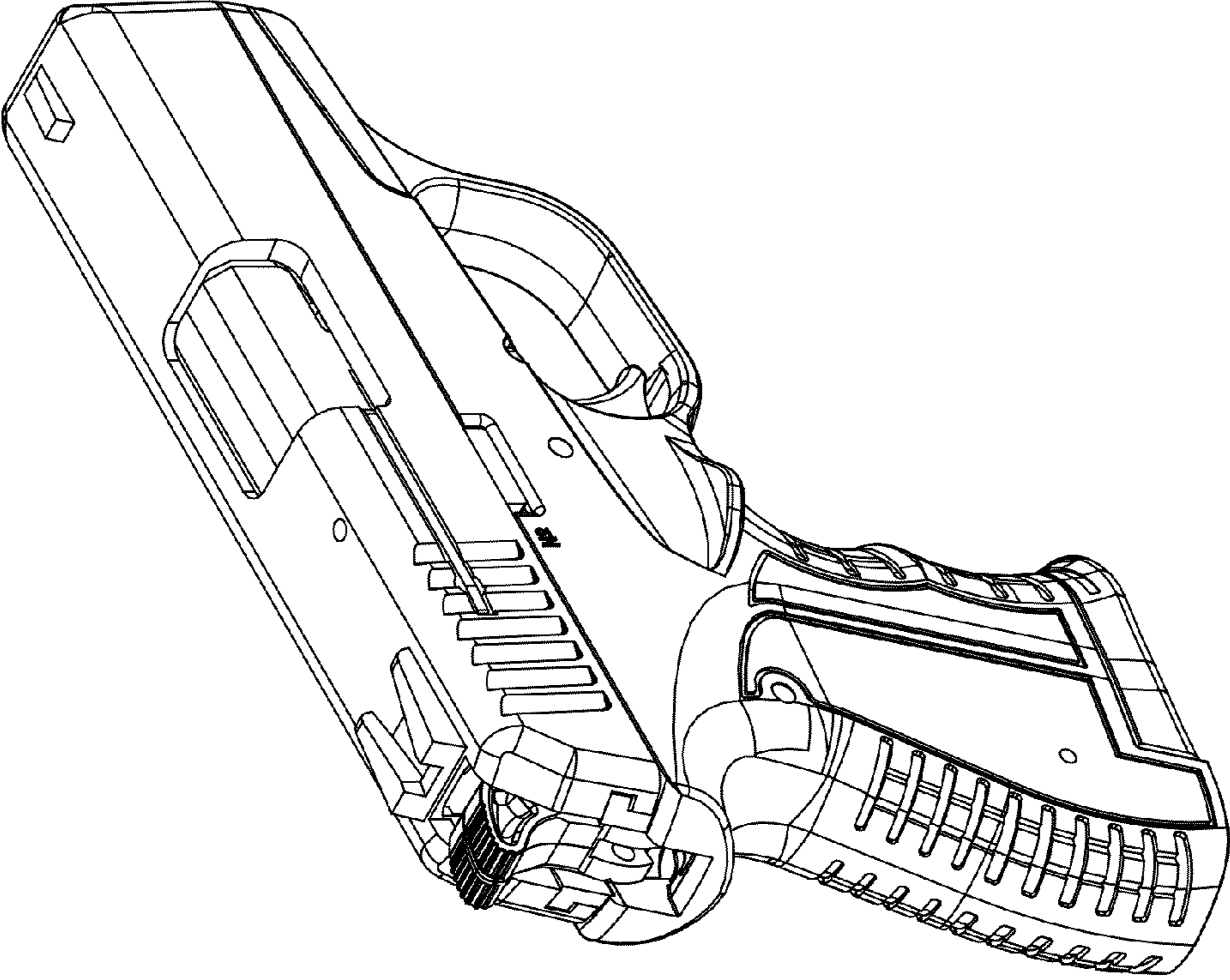


FIG. 1

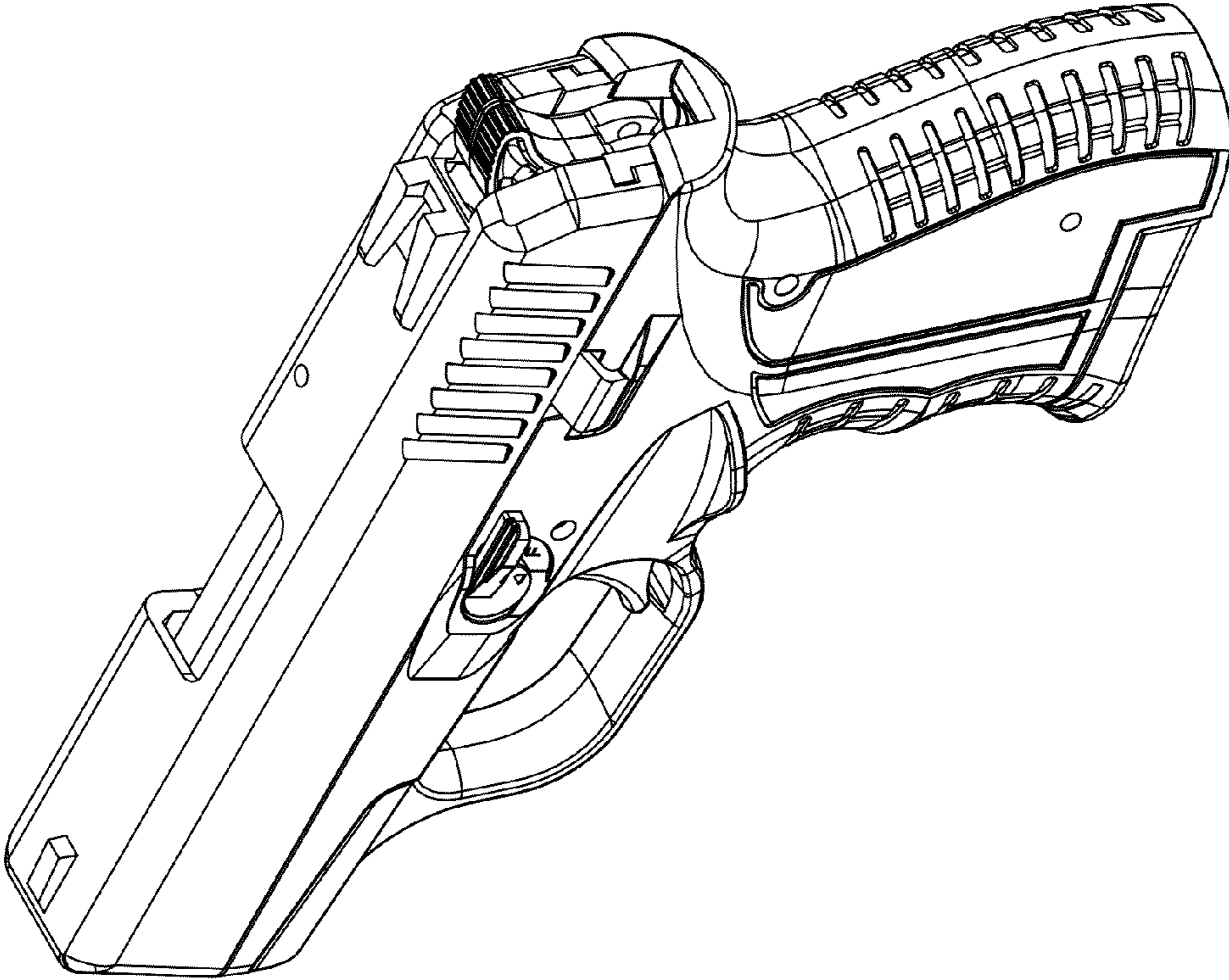


FIG. 2

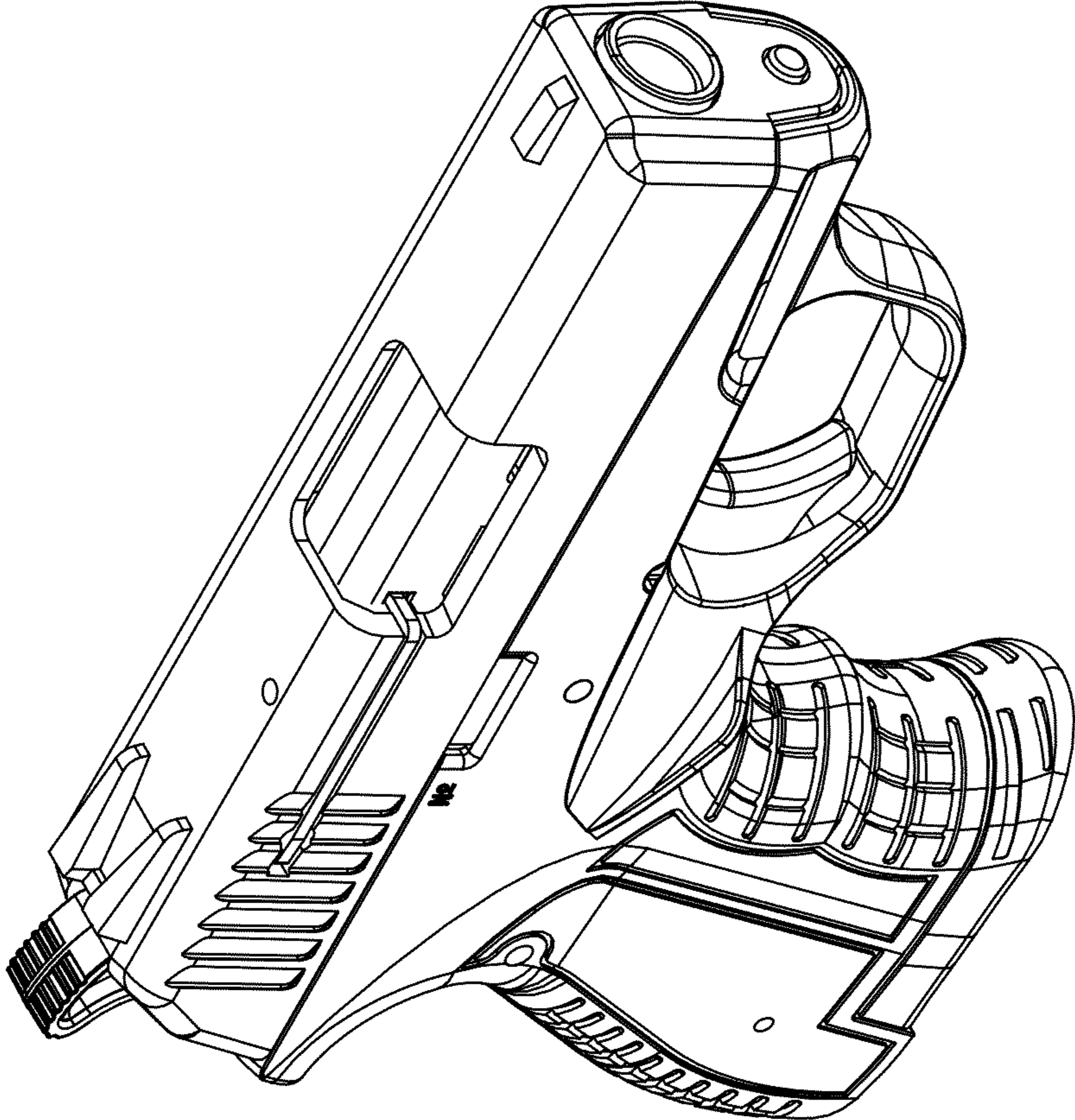


FIG. 3

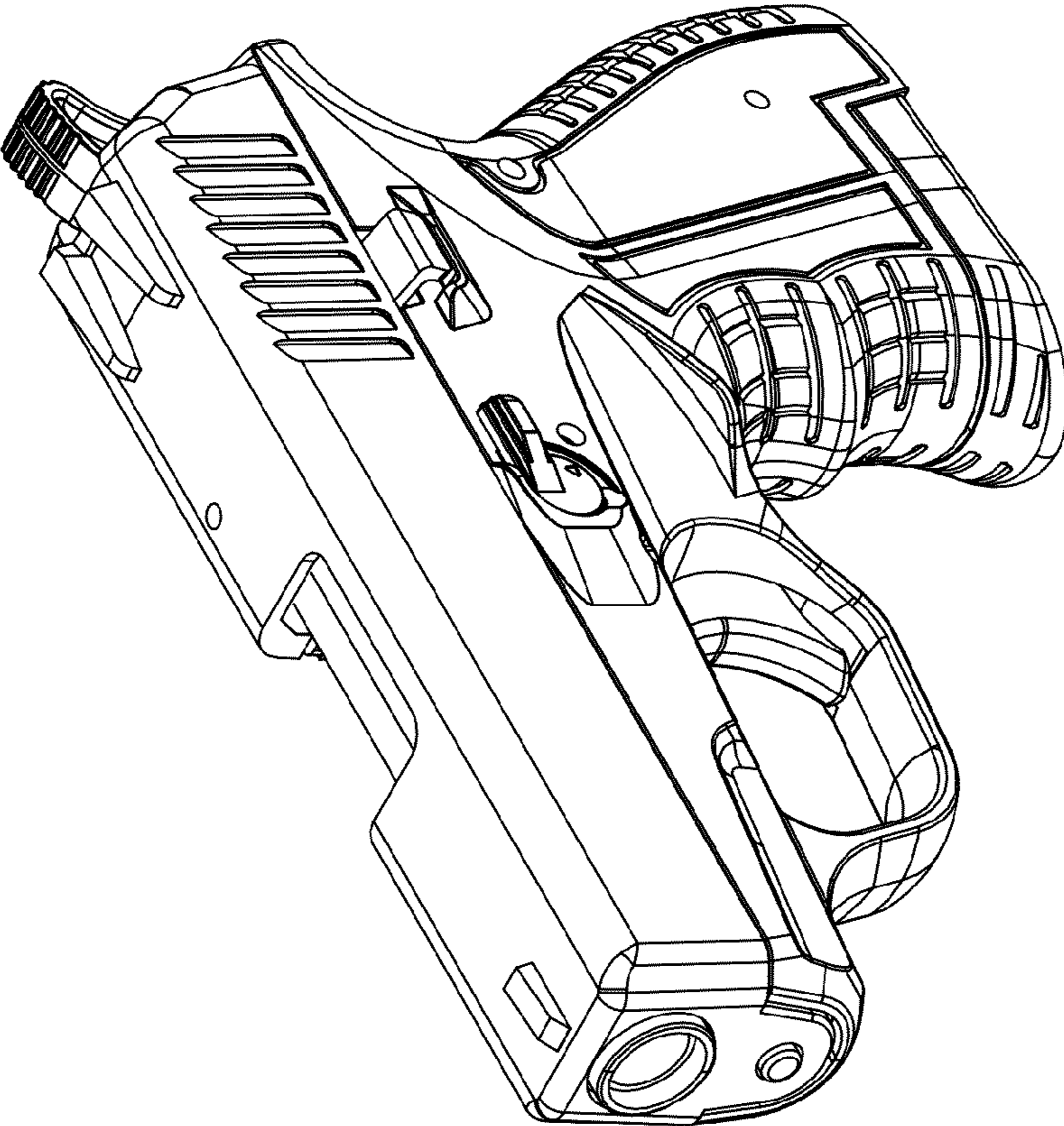


FIG. 4

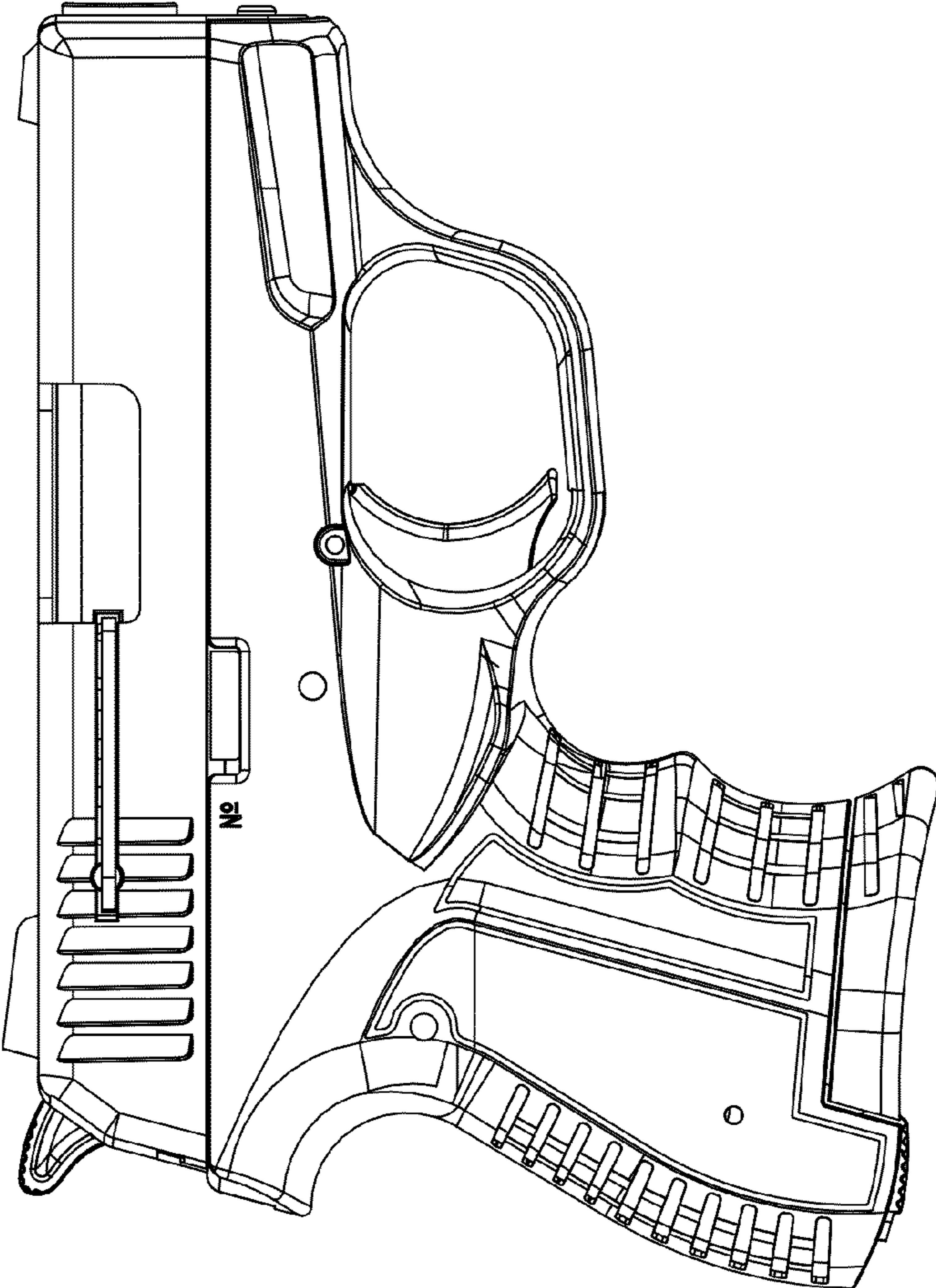


FIG. 5

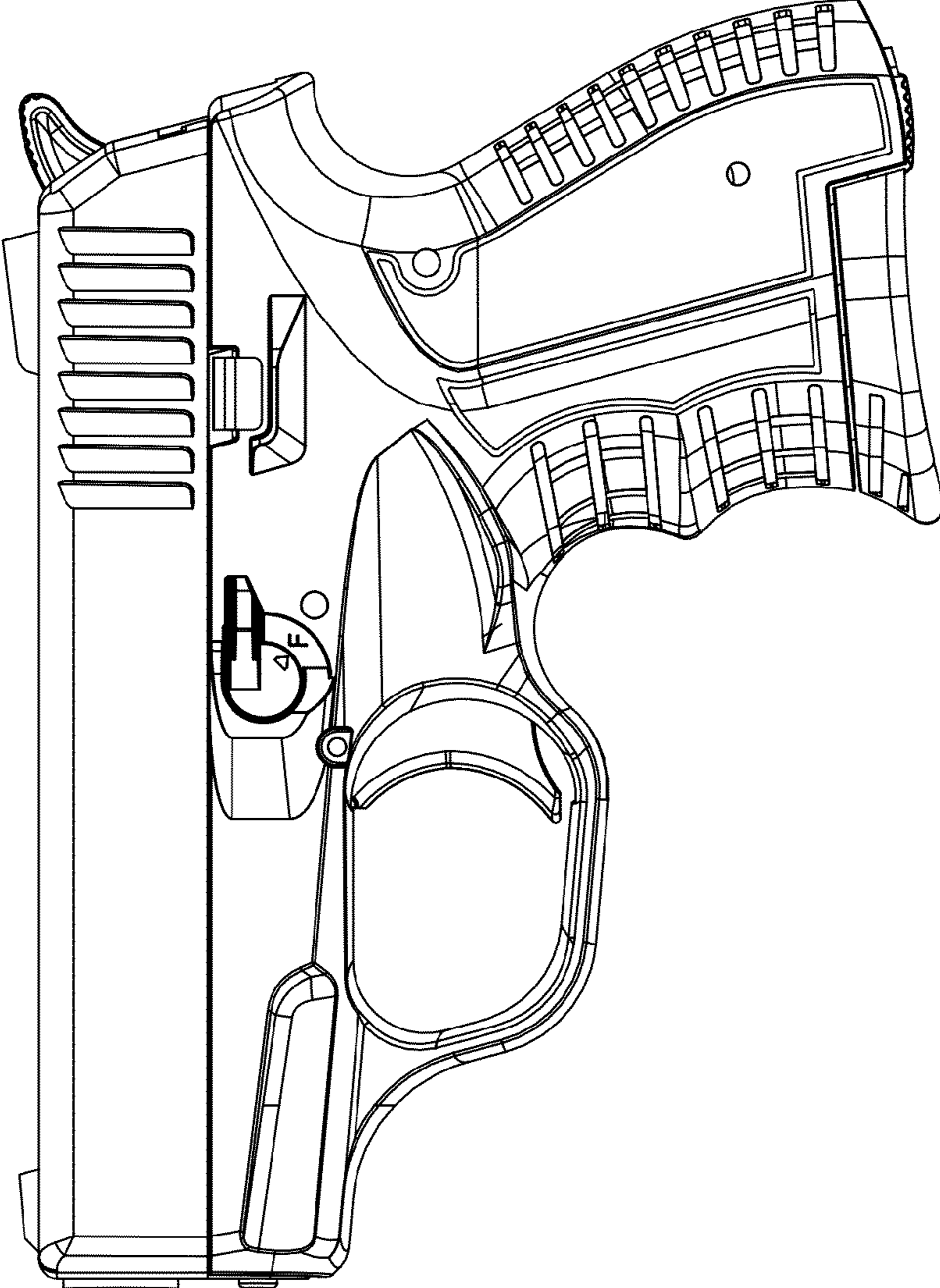


FIG. 6

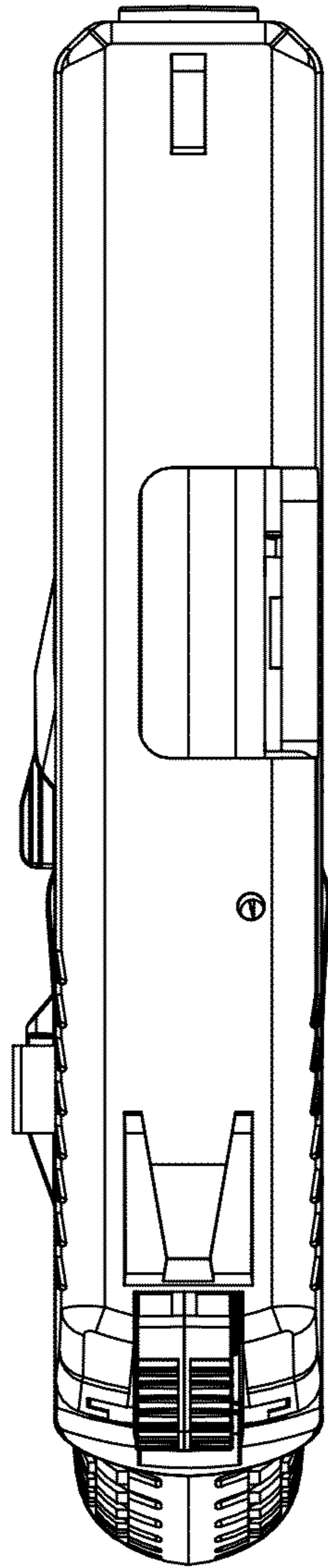


FIG. 7

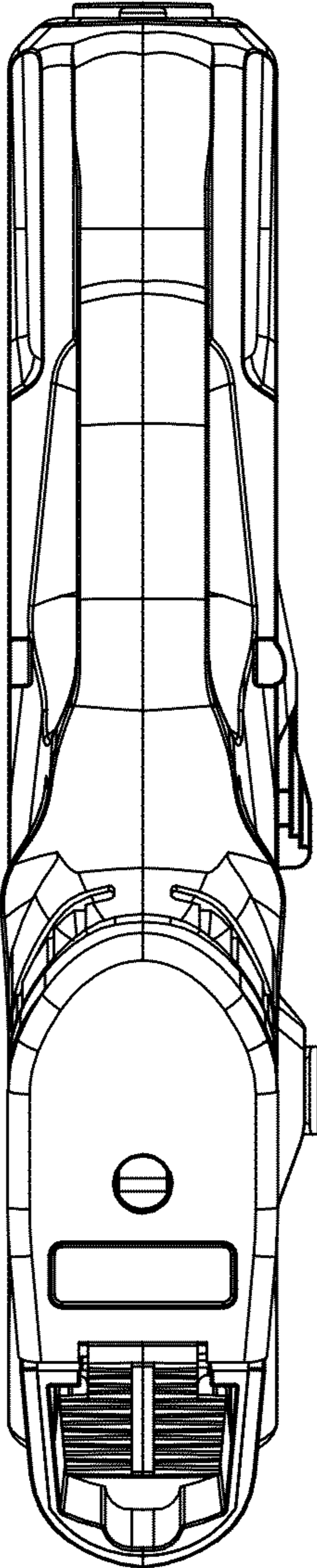


FIG. 8

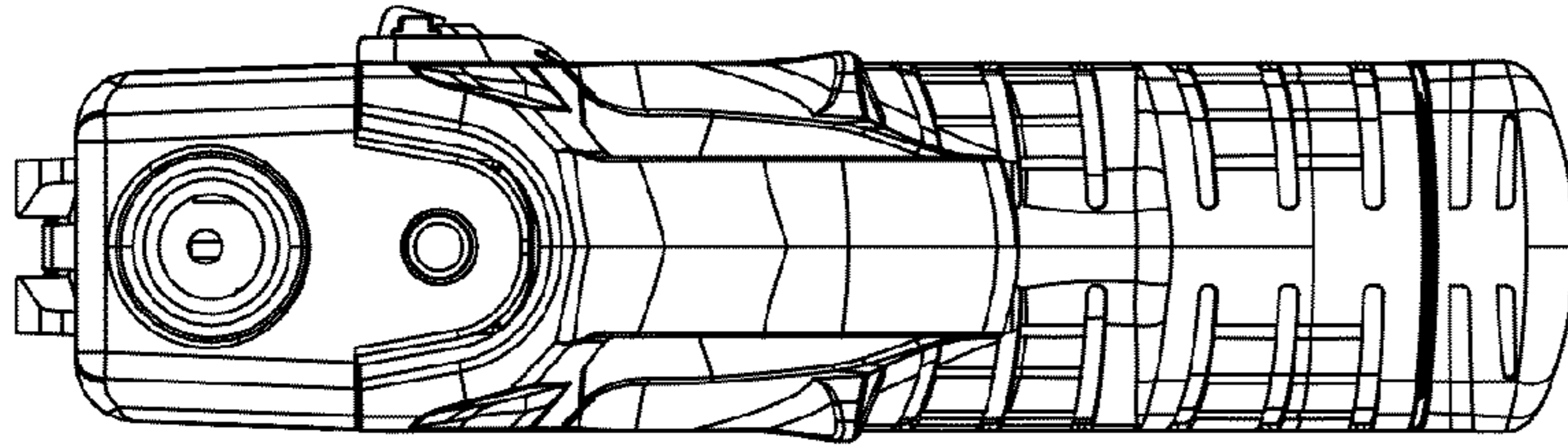


FIG. 9

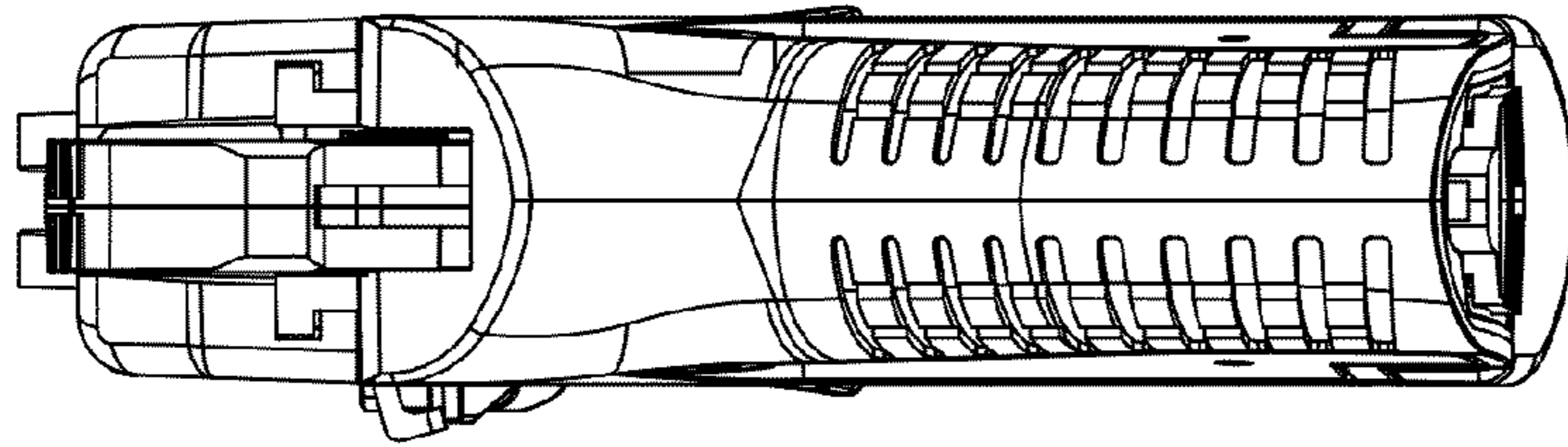


FIG. 10