

US00D692508S

(12) **United States Design Patent**
Pearce

(10) **Patent No.:** **US D692,508 S**

(45) **Date of Patent:** **** Oct. 29, 2013**

(54) **TOY GUN PART**

(71) Applicant: **MEGA Brands Inc.**, Montreal (CA)

(72) Inventor: **Laurent Pearce**, Montreal (CA)

(73) Assignee: **MEGA Brands Inc.**, Montreal, Quebec (CA)

(**) Term: **14 Years**

(21) Appl. No.: **29/456,327**

(22) Filed: **May 30, 2013**

(51) **LOC (9) Cl.** **21-01**

(52) **U.S. Cl.**
USPC **D21/574**

(58) **Field of Classification Search**
USPC D21/333, 401, 461, 567, 568, 570-575;
D14/418; D22/100, 101, 104, 105,
D22/108-110; 124/16, 26, 27, 28, 29, 54,
124/73-77; 222/78, 79; 42/54, 57, 58;
446/23, 182, 192, 401, 403, 405-407,
446/473, 475

See application file for complete search history.

(56) **References Cited**

U.S. PATENT DOCUMENTS

D206,669 S	1/1967	Hirsh	
D293,357 S	12/1987	Ruger et al.	
D354,997 S *	1/1995	Arad et al.	D21/574
D385,008 S	10/1997	Lamont	
D418,896 S	1/2000	Shipley et al.	
D454,166 S *	3/2002	Hornsby et al.	D21/574
D458,652 S	6/2002	Chan	
D504,489 S *	4/2005	Cerovic	D22/104
D508,277 S *	8/2005	Cerovic	D22/104
7,287,526 B1 *	10/2007	Bligh et al.	124/63
D635,620 S *	4/2011	Nadel	D21/573
D653,300 S	1/2012	Emde	

D660,923 S *	5/2012	Johnson	D21/573
D660,925 S *	5/2012	Jablonski et al.	D21/573
D660,926 S	5/2012	Mastin	
D660,927 S *	5/2012	Jablonski et al.	D21/574
D664,609 S *	7/2012	Johnson	D21/574
D667,072 S	9/2012	Kriegleder	
D671,183 S	11/2012	Lucansky	
D678,452 S *	3/2013	Baldwin et al.	D22/103
D680,611 S	4/2013	Emde et al.	
8,448,365 B2 *	5/2013	Mead et al.	42/54

OTHER PUBLICATIONS

Web page printout, "Desert Eagle—The Call of Duty Wiki," http://web.archive.org/web/20120428192951/http://callofduty.wikia.com/wiki/Desert_Eagle, 11 pages, Apr. 28, 2012.

(Continued)

Primary Examiner — Cynthia M Chin

(74) *Attorney, Agent, or Firm* — Plumsea Law Group, LLC

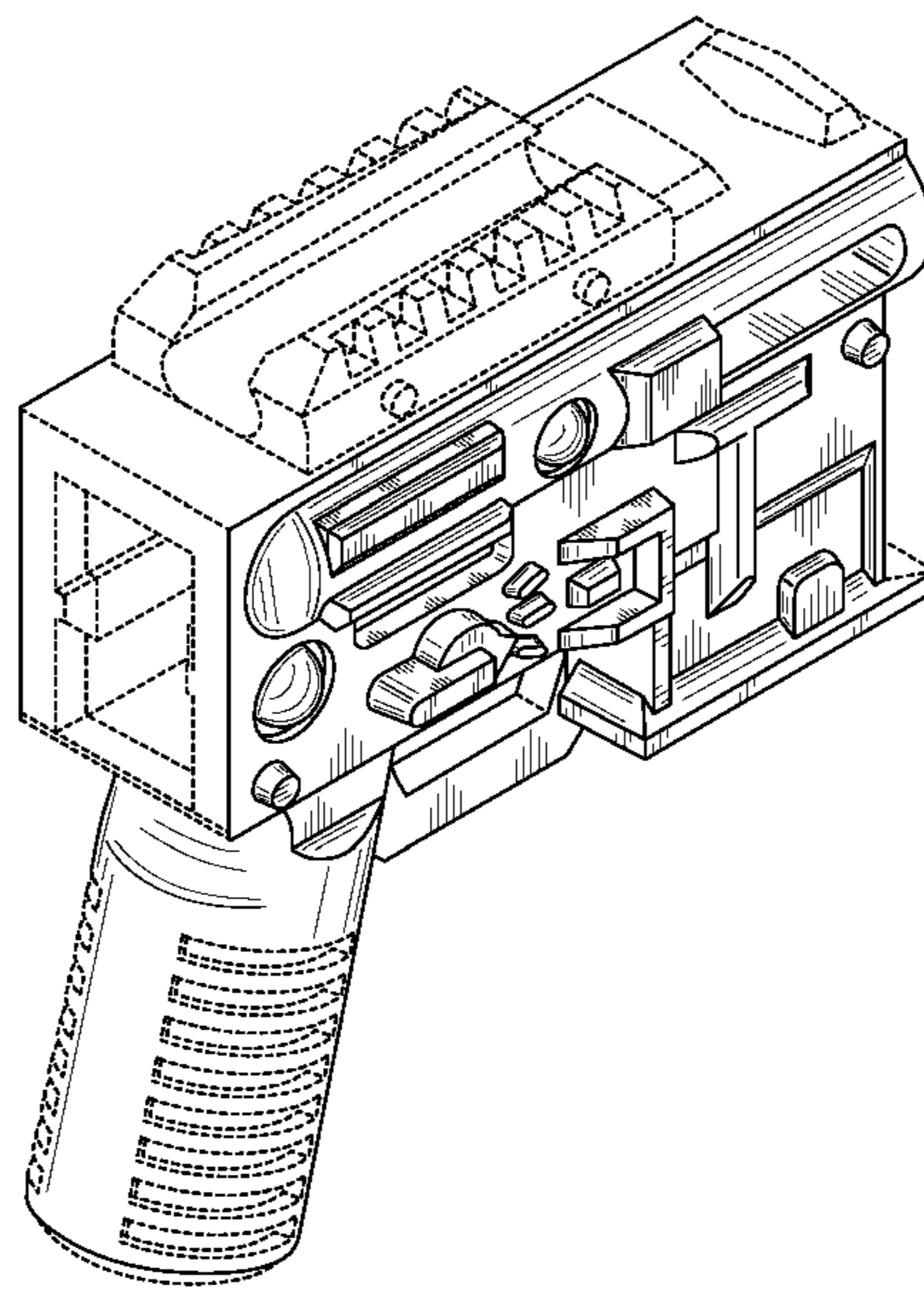
(57) **CLAIM**

I claim the ornamental design for a toy gun part, as shown and described.

DESCRIPTION

FIG. 1 is a top perspective view of a toy gun part showing the new design;
FIG. 2 is a right elevational view of the toy gun part of FIG. 1;
FIG. 3 is a left elevational view of the toy gun part of FIG. 1;
FIG. 4 is a front side elevational view of the toy gun part of FIG. 1;
FIG. 5 is a rear side elevational view of the toy gun part of FIG. 1;
FIG. 6 is a top plan view of the toy gun part of FIG. 1; and,
FIG. 7 is a bottom plan view of the toy gun part of FIG. 1.
The broken lines and unshaded areas immediately adjacent the broken lines form no part of the claimed design.

1 Claim, 7 Drawing Sheets



(56)

References Cited

OTHER PUBLICATIONS

Web page printout, "M4A1—The Call of Duty Wiki," <http://web.archive.org/web/20120626175928/http://callofduty.wikia.com/wiki/M4A1>, 8 pages, Jun. 26, 2012.

Web page printout, "SPAS-12—The Call of Duty Wiki," <http://web.archive.org/web/20120626043538/http://callofduty.wikia.com/wiki/SPAS-12>, 8 pages, Jun. 26, 2012.

Web page printout, "UMP45—The Call of Duty Wiki," <http://web.archive.org/web/20120626023452/http://callofduty.wikia.com/wiki/UMP45>, 4 pages, Jun. 26, 2012.

Web page printout, "MP5—The Call of Duty Wiki," <http://web.archive.org/web/20120627073627/http://callofduty.wikia.com/wiki/MP5>, 5 pages, Jun. 27, 2012.

Web page printout, "M14—The Call of Duty Wiki," <http://web.archive.org/web/20120628143002/http://callofduty.wikia.com/wiki/M14>, 7 pages, Jun. 28, 2012.

Web page printout, "USP_.45—The Call of Duty Wiki," http://web.archive.org/web/20120630114325/http://callofduty.wikia.com/wiki/USP_.45, 22 pages, Jun. 30, 2012.

Web page printout, "AK-47—The Call of Duty Wiki," <http://web.archive.org/web/20120702142317/http://callofduty.wikia.com/wiki/AK-47>, 30 pages, Jul. 2, 2012.

Web page printout, "MG4—The Call of Duty Wiki," <http://web.archive.org/web/20120807204848/http://callofduty.wikia.com/wiki/MG4>, 5 pages, Aug. 7, 2012.

Web page printout, "MP5K—The Call of Duty Wiki," <http://web.archive.org/web/20120821002651/http://callofduty.wikia.com/wiki/MP5K>, 8 pages, Aug. 21, 2012.

Web page printout, "SCAR-H—The Call of Duty Wiki," <http://web.archive.org/web/20120821004031/http://callofduty.wikia.com/wiki/SCAR-H>, 5 pages, Aug. 21, 2012.

Web page printout, "M240—The Call of Duty Wiki," <http://web.archive.org/web/20120918195151/http://callofduty.wikia.com/wiki/M240>, 3 pages, Sep. 18, 2012.

Web page printout, "ACR—The Call of Duty Wiki," <http://web.archive.org/web/20121001032744/http://callofduty.wikia.com/wiki/ACR>, 8 pages, Oct. 1, 2012.

Web page printout, "PKP Pecheneg—The Call of Duty Wiki," http://web.archive.org/web/20121002012548/http://callofduty.wikia.com/wiki/PKP_Pecheneg, 3 pages, Oct. 2, 2012.

Images, http://callofduty.wikia.com/wiki/Category:Call_of_Duty:_Black_Ops_II_Primary_Weapons, 8 pages, Apr. 23, 2013.

* cited by examiner

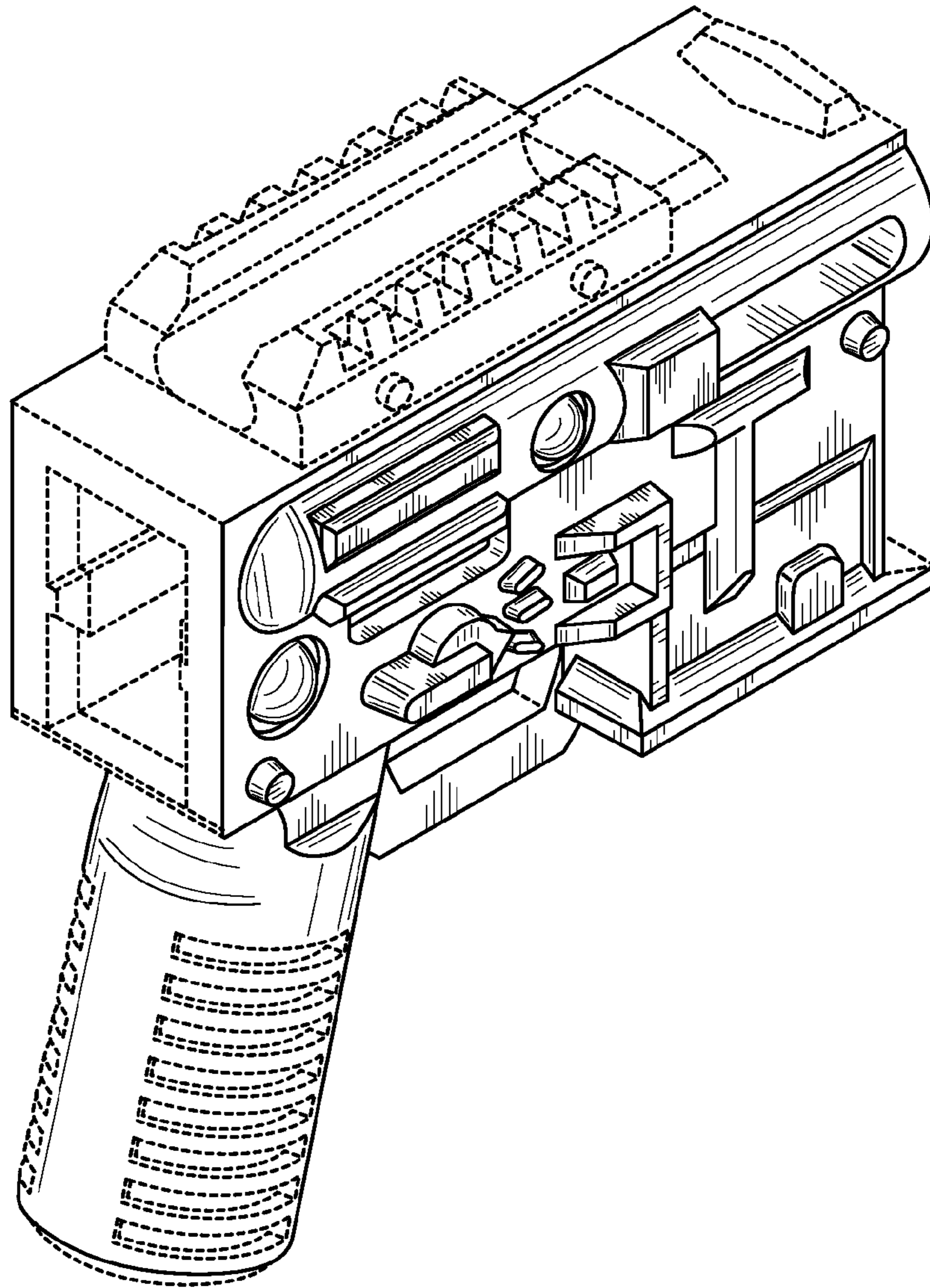


FIG. 1

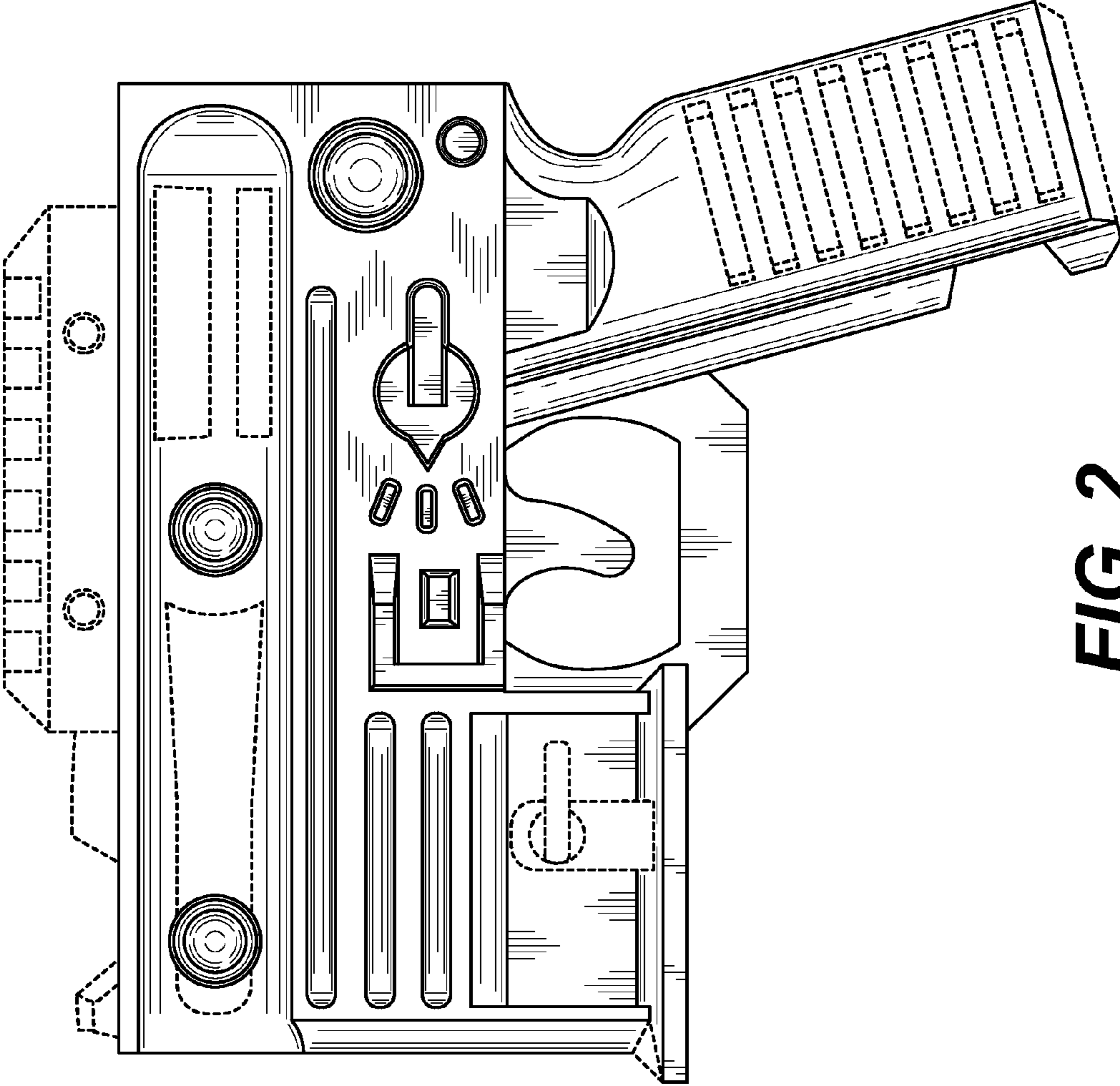


FIG. 2

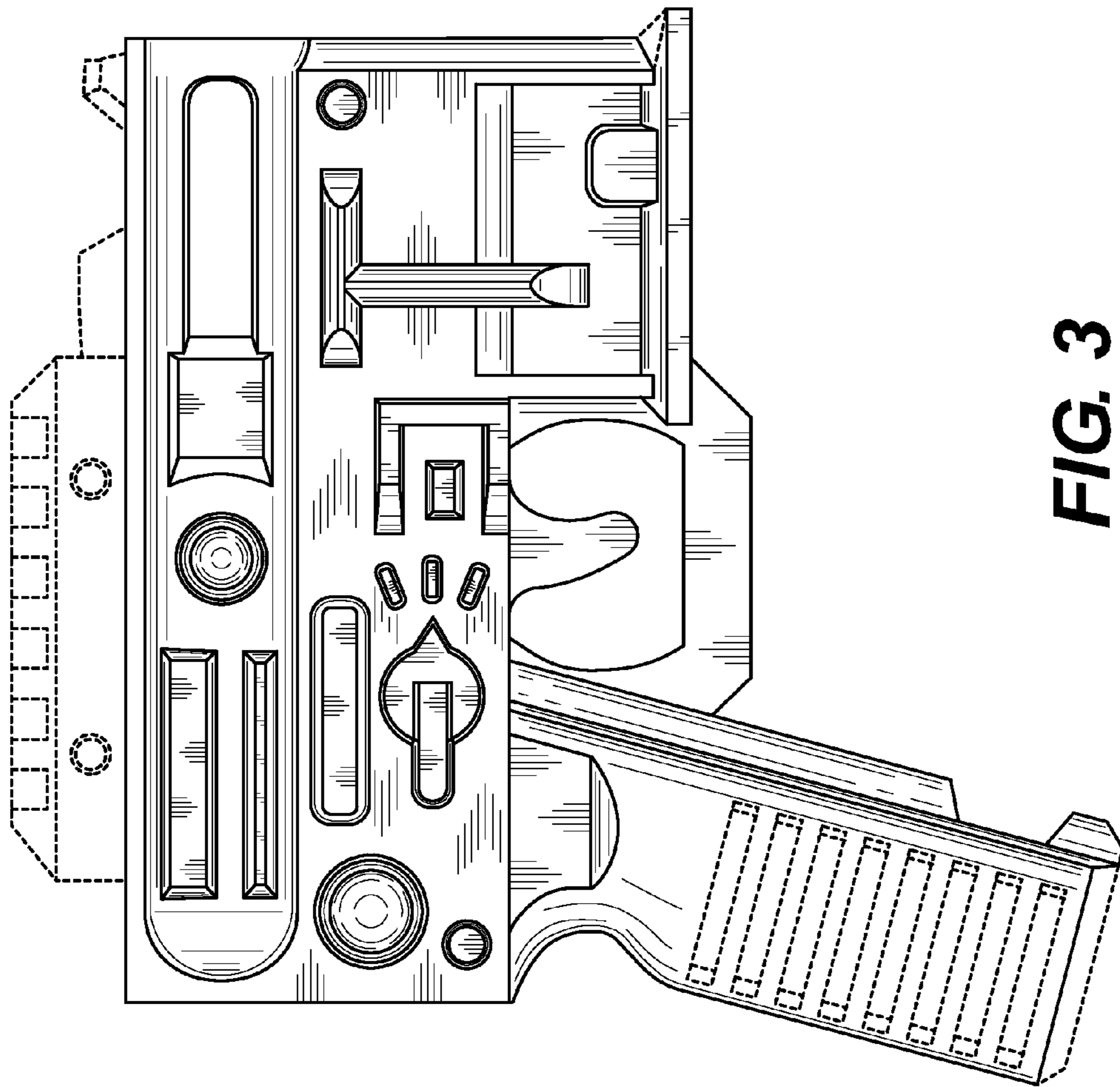


FIG. 3

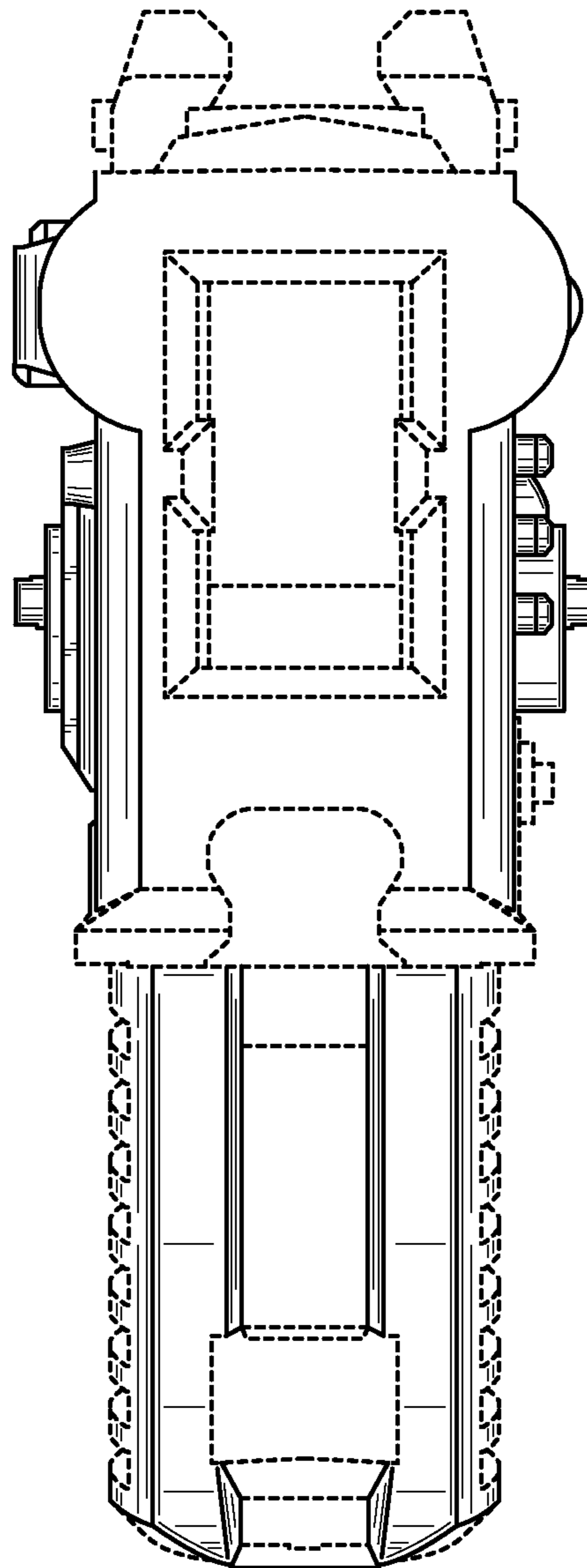


FIG. 4

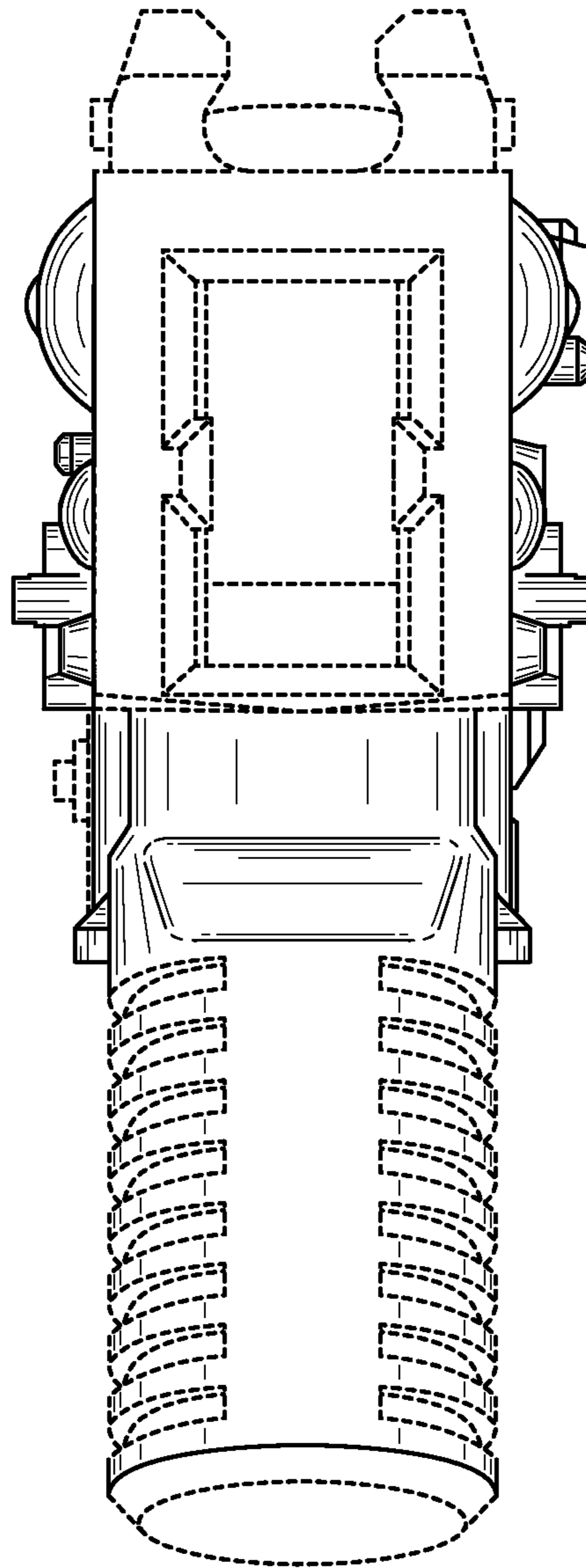


FIG. 5

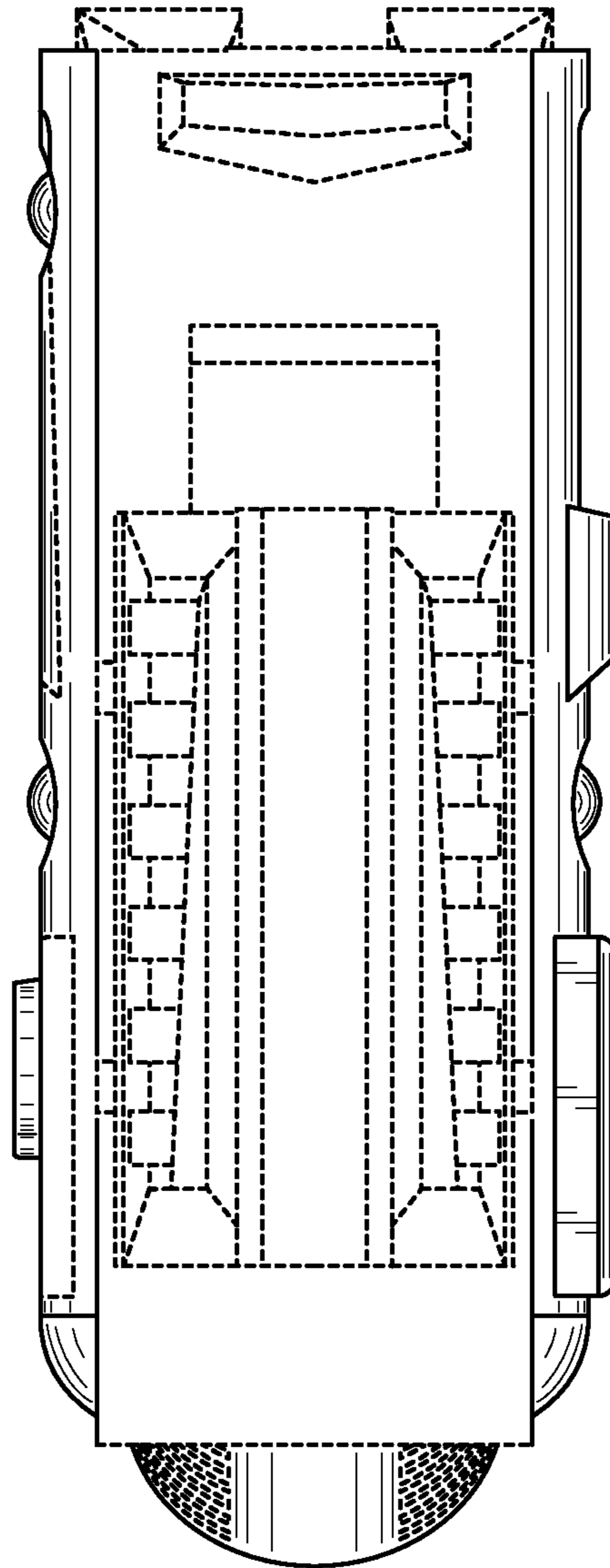


FIG. 6

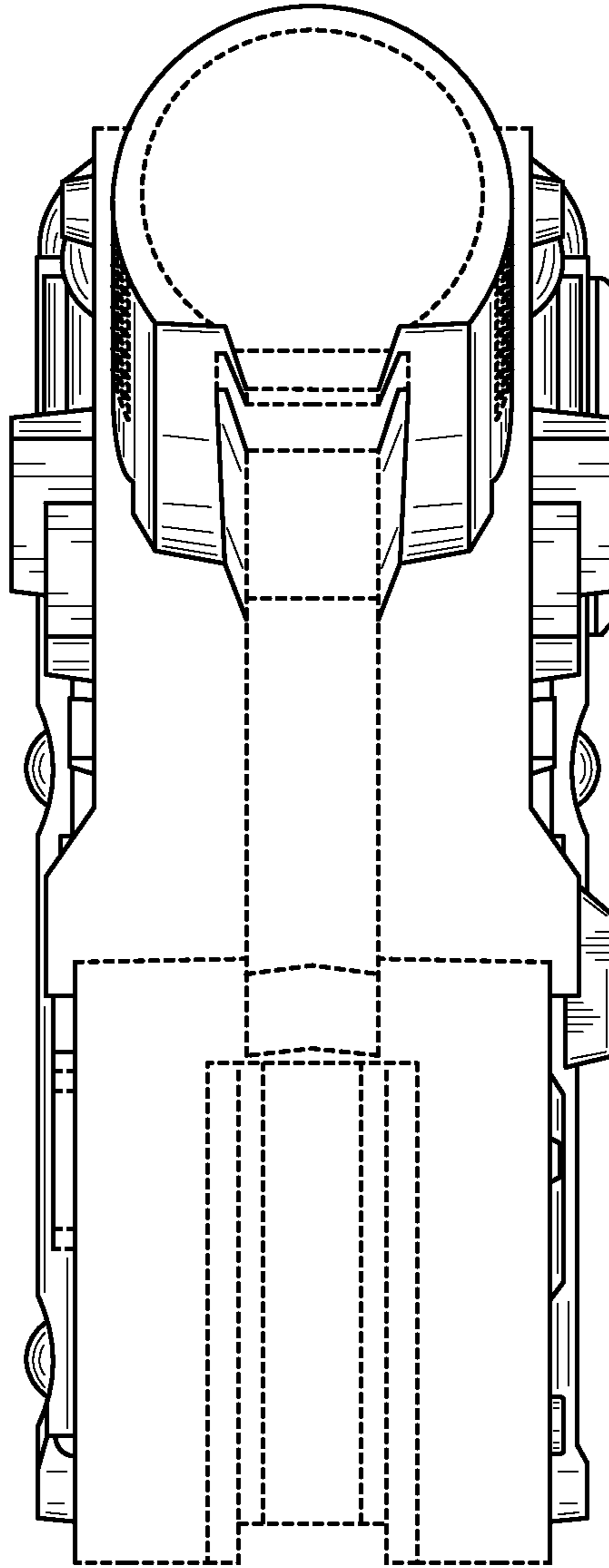


FIG. 7