



US00D692507S

(12) **United States Design Patent**
Meys

(10) **Patent No.:** **US D692,507 S**
(45) **Date of Patent:** **** Oct. 29, 2013**

(54) **SET OF PIECES FOR A GAME**

(76) Inventor: **Jean-Michael Meys**, La Croix-sur-Lutry
(CH)

(**) Term: **14 Years**

(21) Appl. No.: **29/387,638**

(22) Filed: **Mar. 16, 2011**

(30) **Foreign Application Priority Data**

Sep. 16, 2010 (CH) 137415

(51) **LOC (9) Cl.** **21-01**

(52) **U.S. Cl.**
USPC **D21/502; D21/498**

(58) **Field of Classification Search**

USPC D21/386, 398, 400, 404, 405, 406, 466,
D21/468, 470, 498, 707-714; D30/160;
473/569-577, 594-596, 612-615;
428/11; 446/153, 176, 183, 184, 197,
446/175, 219-226, 267, 400, 409, 431,
446/437-439, 486

See application file for complete search history.

(56) **References Cited**

U.S. PATENT DOCUMENTS

D214,928 S * 8/1969 Swett et al. D21/470
D235,157 S * 5/1975 Echterling D21/498

(Continued)

FOREIGN PATENT DOCUMENTS

BE 1010737 12/1998
EP 0 307 718 3/1989
WO WO 2007/035081 3/2007
WO WO 2008/039273 4/2008

Primary Examiner — Cynthia M Chin

(74) *Attorney, Agent, or Firm* — Harness, Dickey & Pierce,
P.L.C.

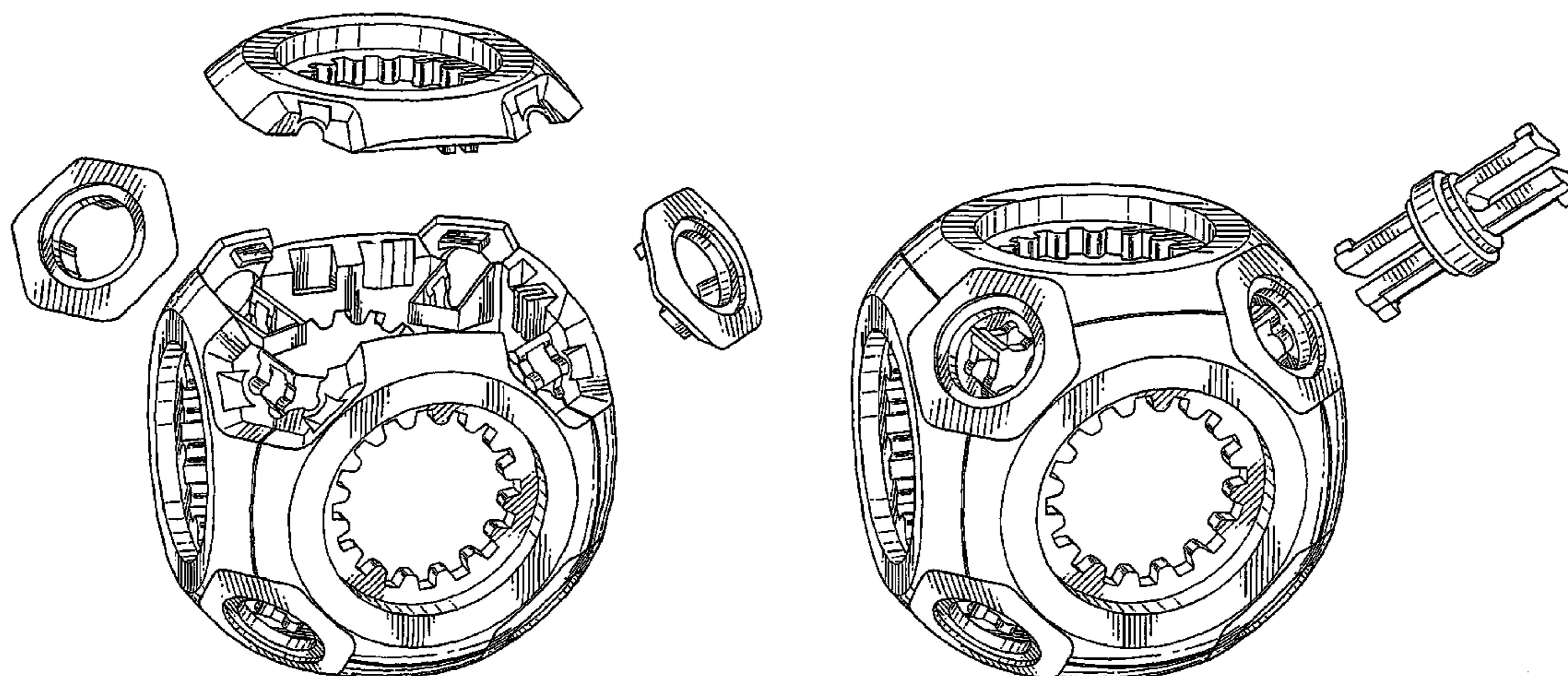
(57) **CLAIM**

The ornamental design for set of pieces for a game, as shown and described.

DESCRIPTION

FIG. 1 is a perspective view of a rounded piece of a set of pieces for a game, showing my new design;
FIG. 2 is a side view thereof, with each of the remaining sides being identical;
FIG. 3 is a partial exploded view thereof, it being understood that the non-exploded components are identical in their exploded condition;
FIG. 4 is a perspective exploded view of the rounded piece of FIG. 1 and a first connector piece;
FIG. 5 is a perspective view of the first connector piece in an assembled position with the rounded piece of FIG. 1;
FIG. 6 is a front view of the first connector piece in an alternate position from that shown in FIG. 4, the rear view being identical;
FIG. 7 is a perspective exploded view of the rounded piece of FIG. 1 and a second connector piece of the set of pieces for a game;
FIG. 8 is a perspective view of the second connector in an assembled position with the rounded piece of FIG. 1;
FIG. 9 is a side view of the second connector piece, the other side being a mirror image of the side shown;
FIG. 10 is a perspective exploded view of of the rounded piece of FIG. 1 and a third connector piece of the set of pieces for a game;
FIG. 11 is a perspective view of the third connector piece in an assembled position with the rounded piece of FIG. 1; and,
FIG. 12 is a front view of the third connector piece in an alternate position from that shown in FIG. 10, the rear view being identical.
Elements of the set of pieces for a game are shown separately for clarity of illustration.

1 Claim, 12 Drawing Sheets



(56)

References Cited

U.S. PATENT DOCUMENTS

D257,270 S * 10/1980 Gabriel D21/498
D257,271 S * 10/1980 Gabriel D21/498
D257,365 S * 10/1980 Gabriel D21/502
D257,366 S * 10/1980 Gabriel D21/502
D283,634 S * 4/1986 Kato et al. D21/498

5,098,328 A 3/1992 Beerens
D378,106 S * 2/1997 Gabriel D21/502
D437,010 S * 1/2001 Meys D21/498
D531,229 S * 10/2006 Vanbeneden D21/386
D563,486 S * 3/2008 Slater et al. D21/498
D614,481 S * 4/2010 Lewis D8/382
D650,874 S * 12/2011 Williams D21/713

* cited by examiner

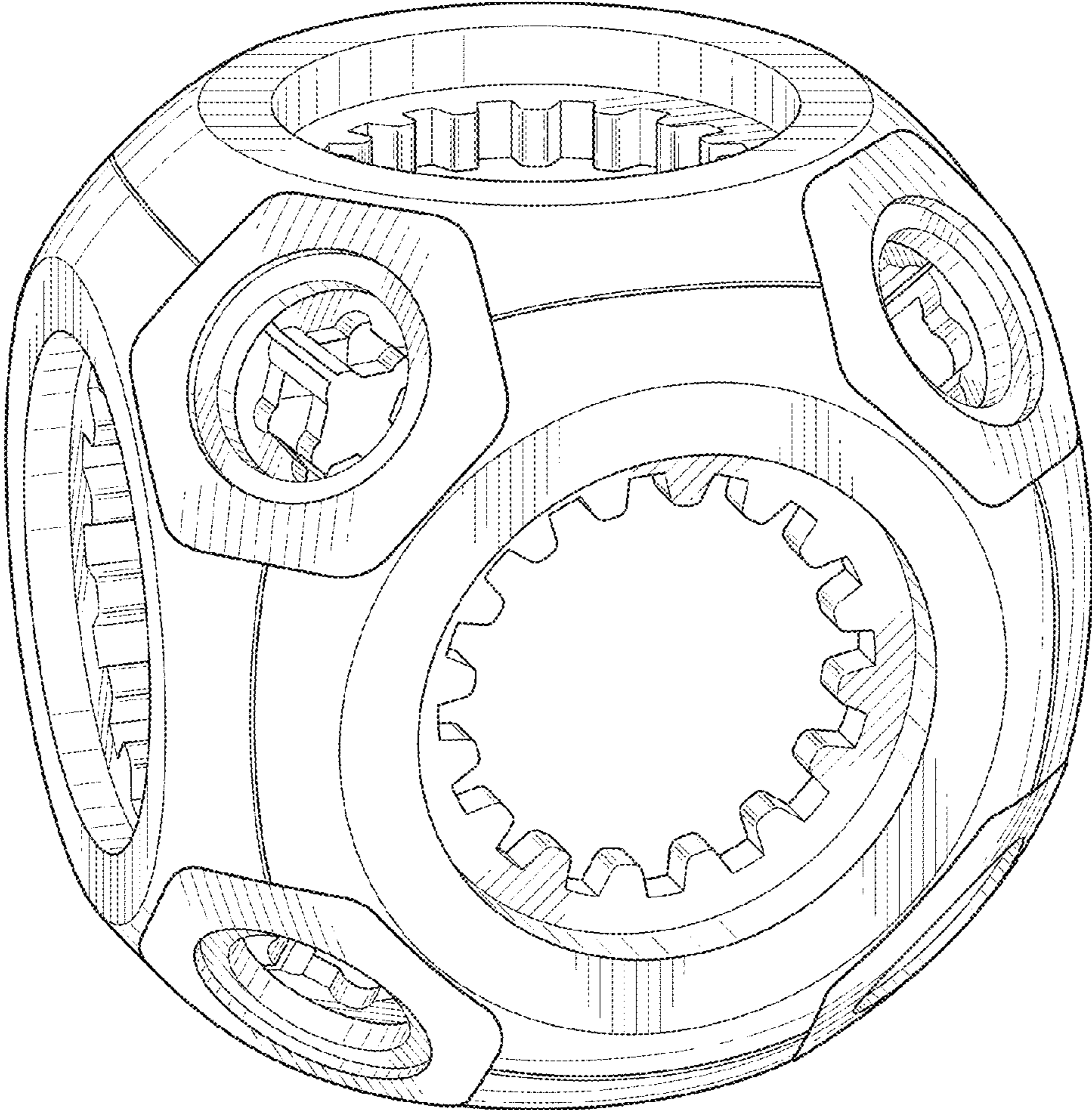


FIG. 1

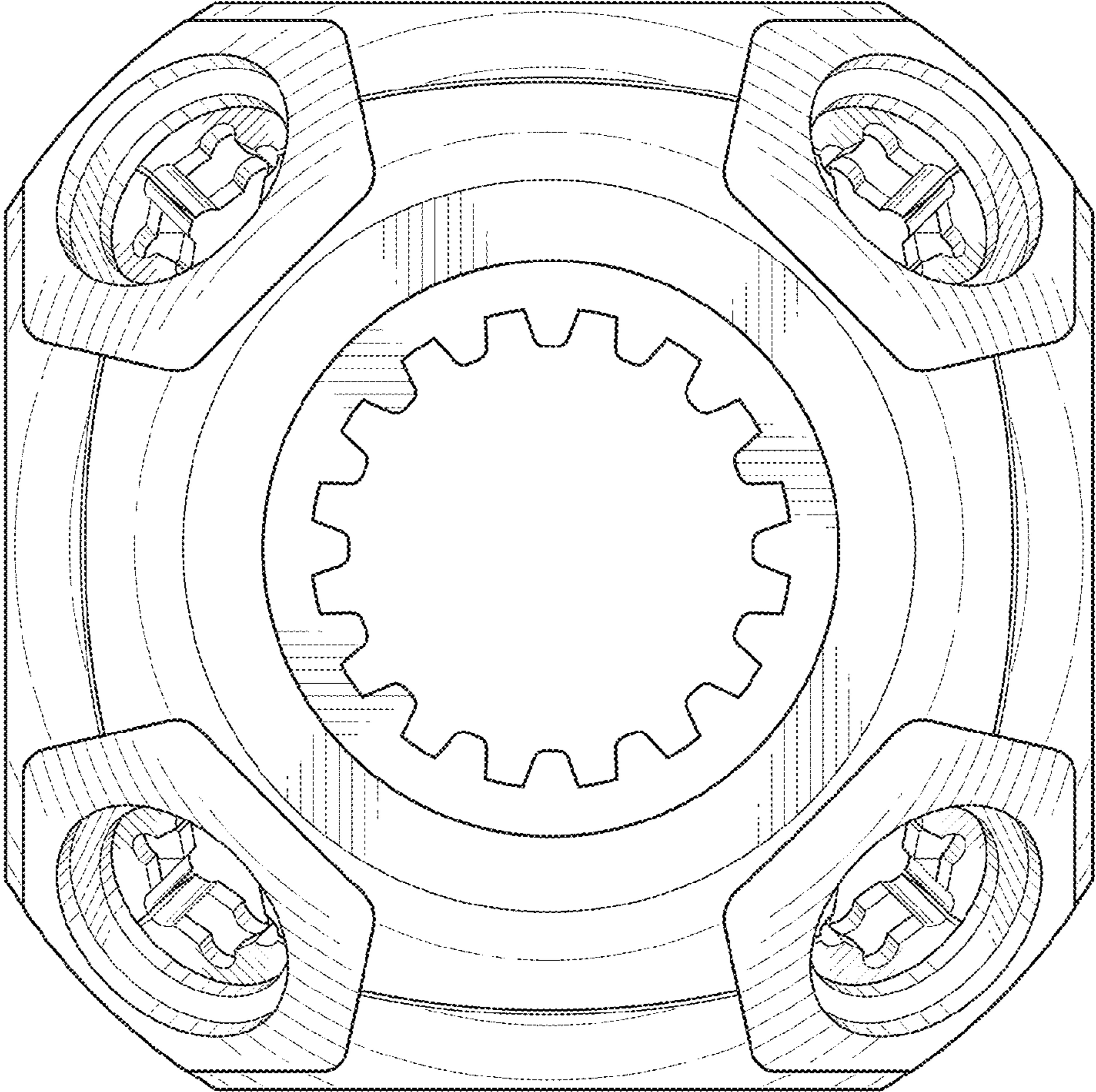


FIG. 2

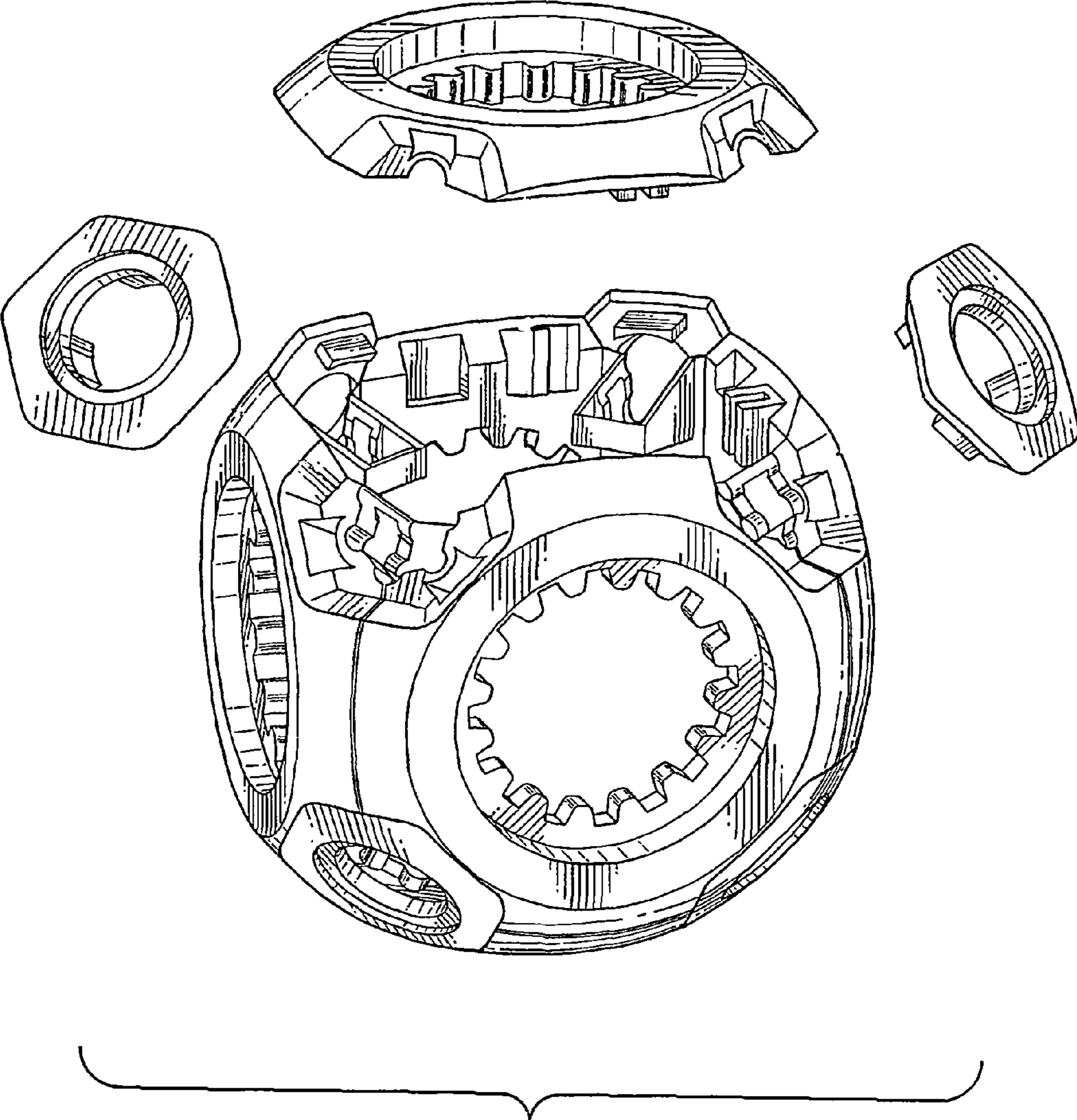


FIG. 3

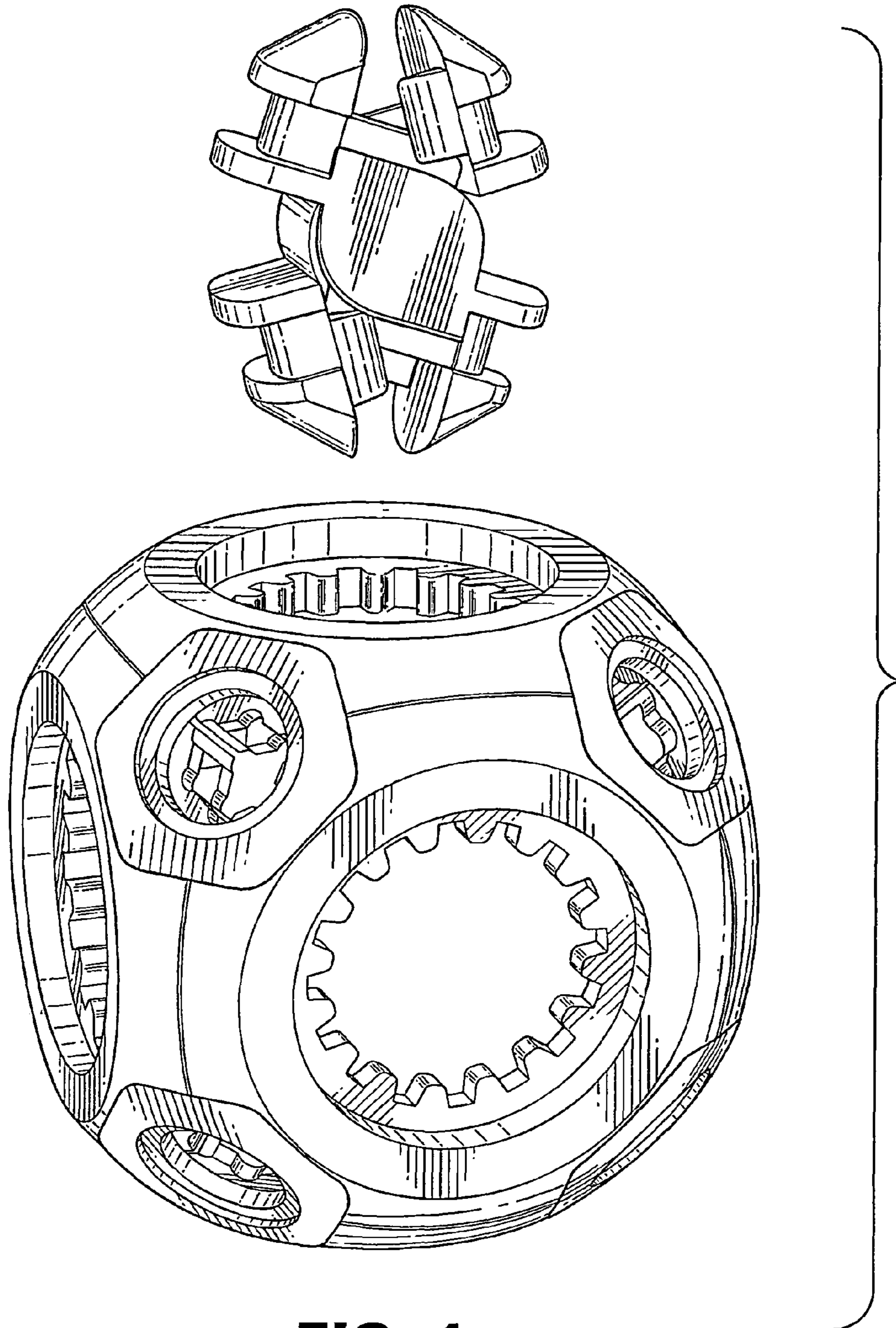


FIG. 4

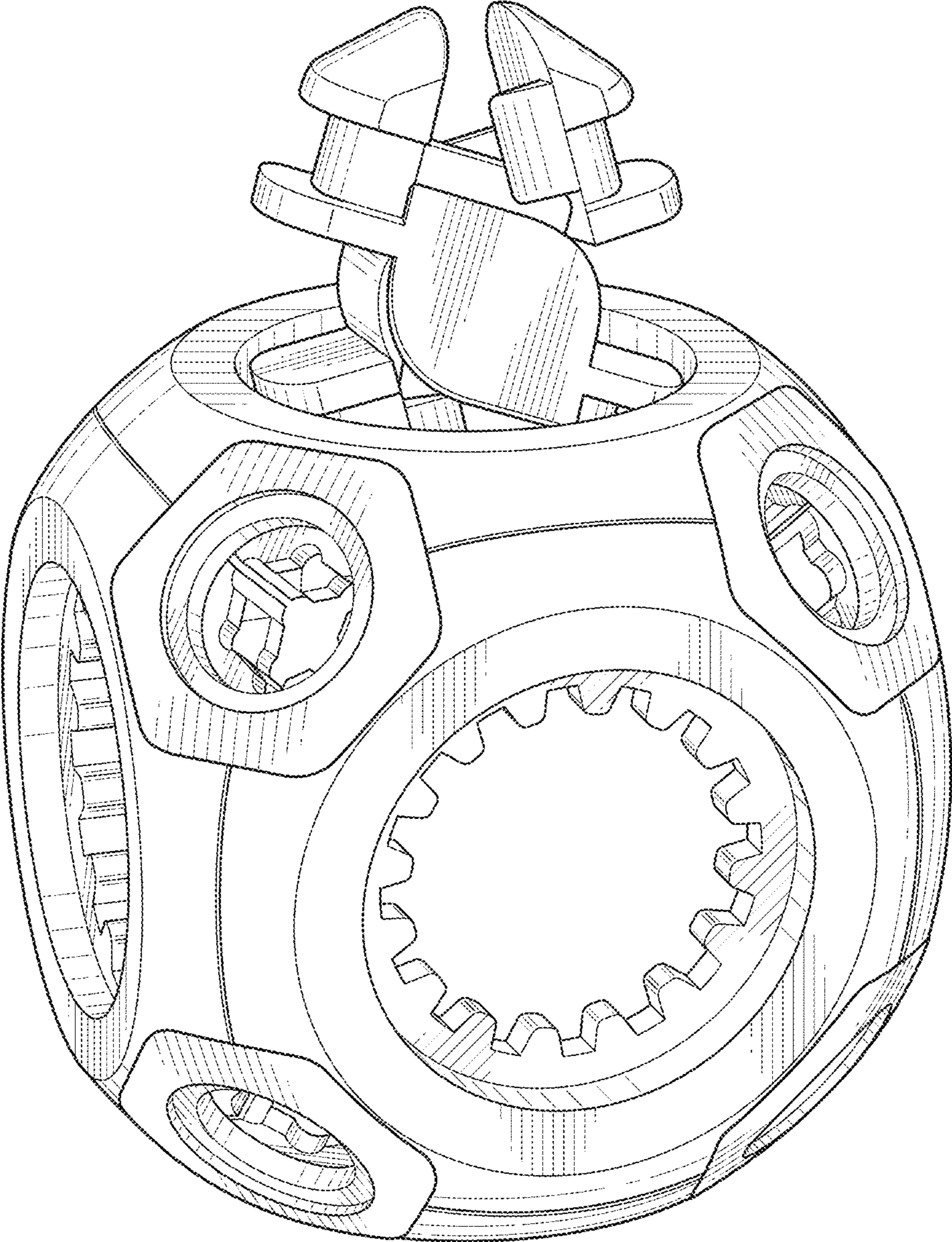


FIG. 5

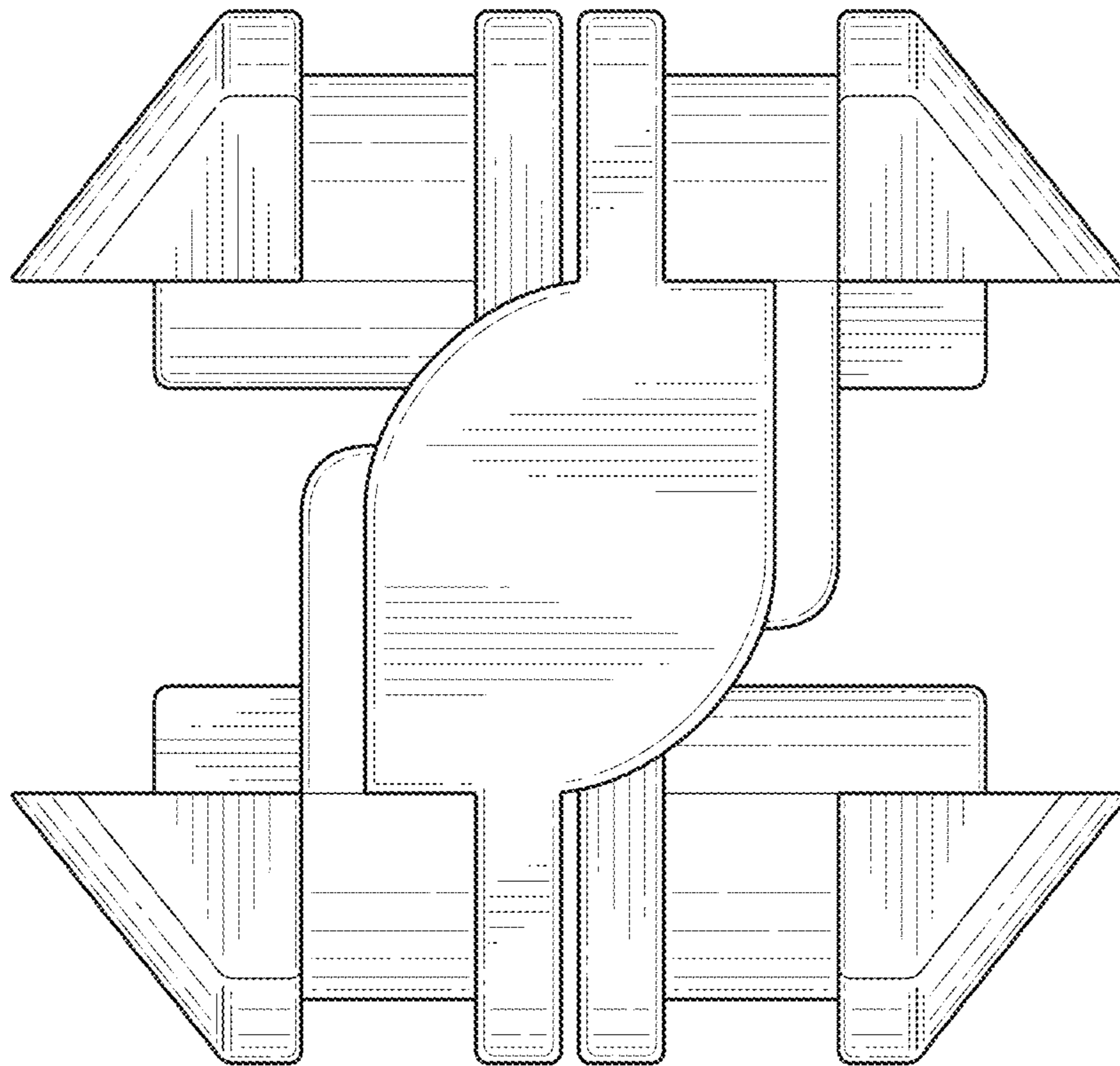


FIG. 6

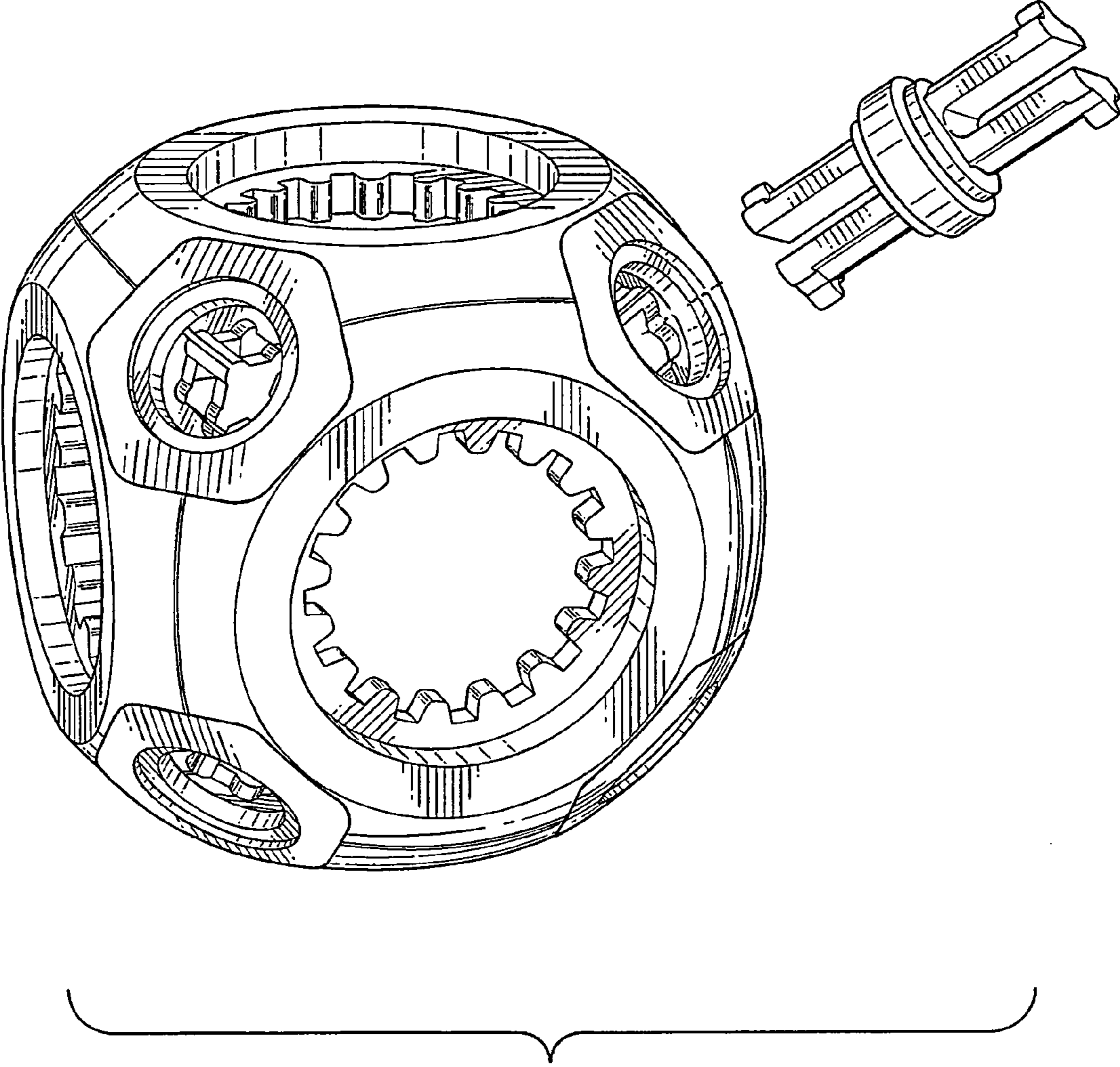


FIG. 7

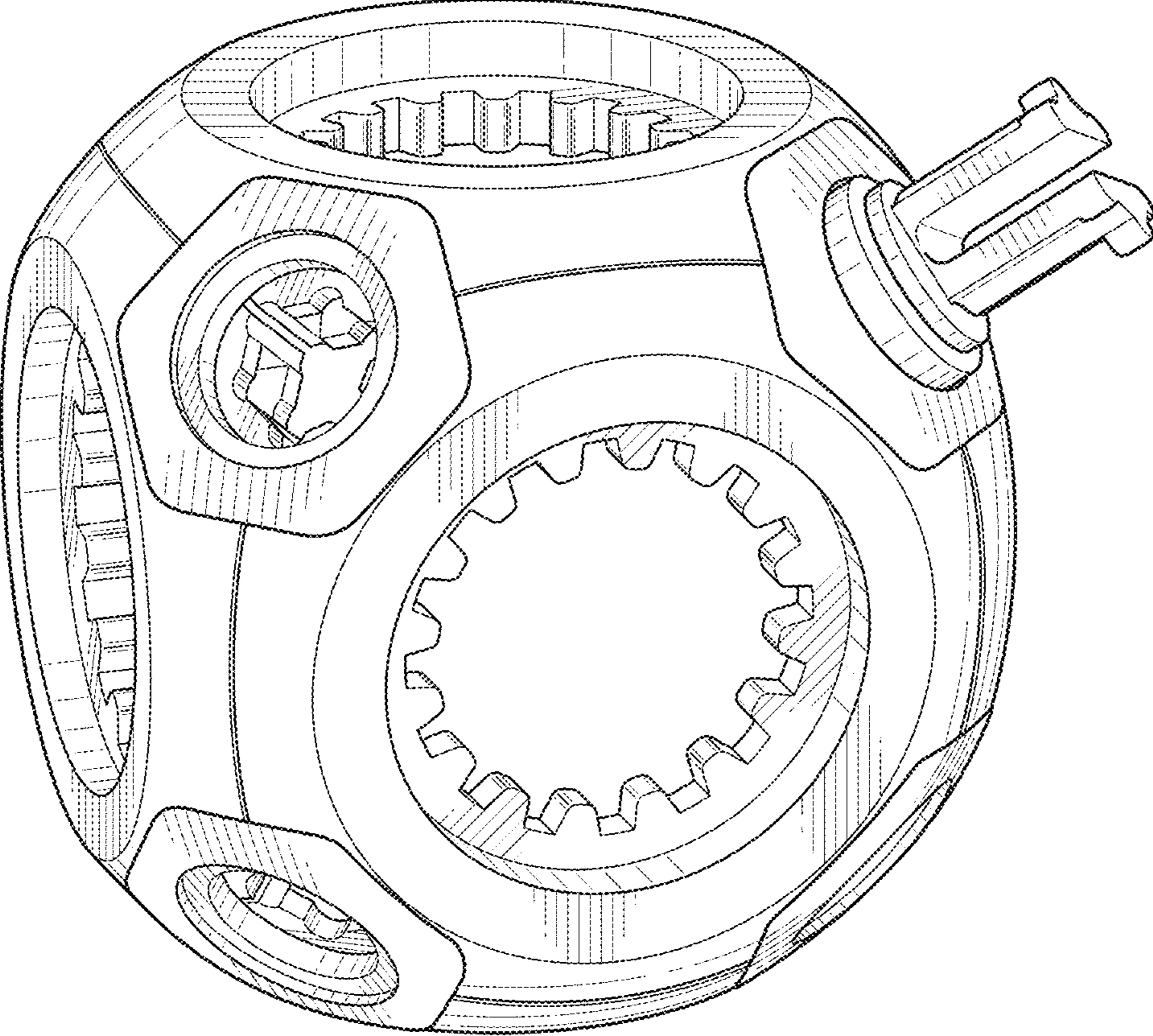


FIG. 8

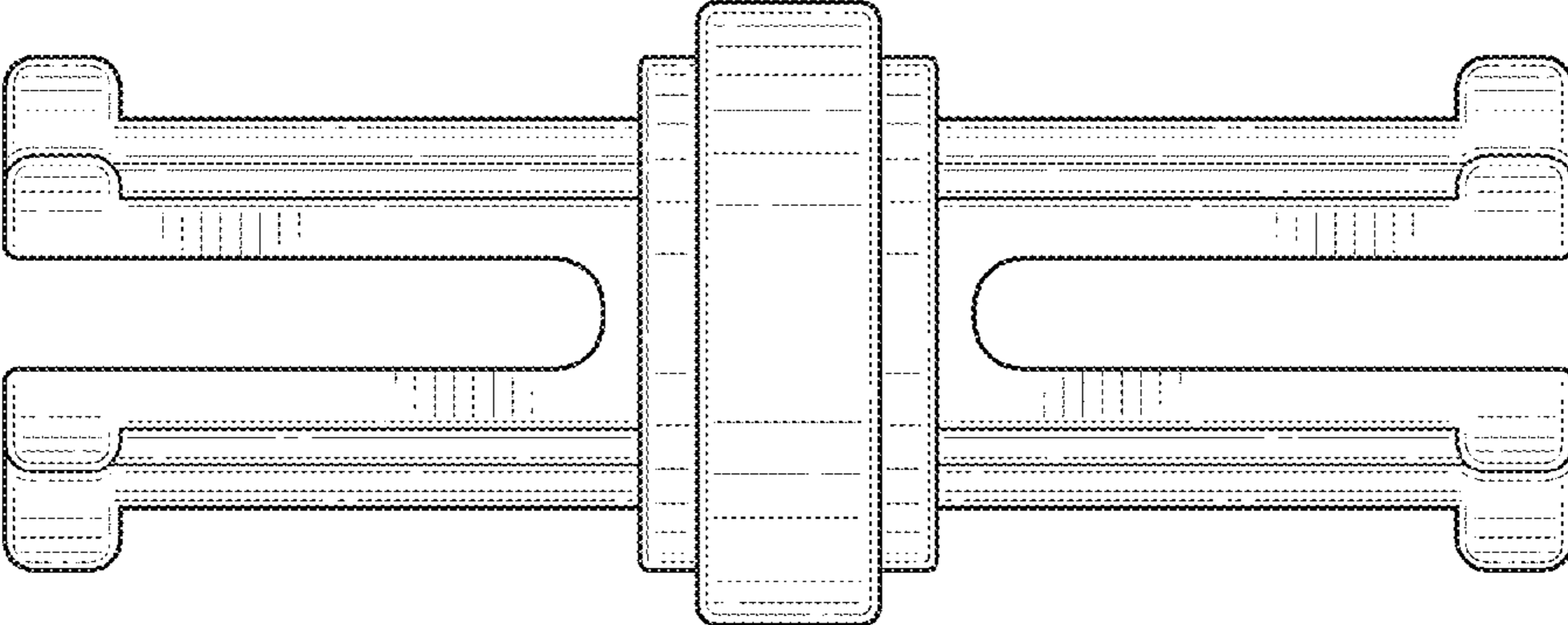


FIG. 9

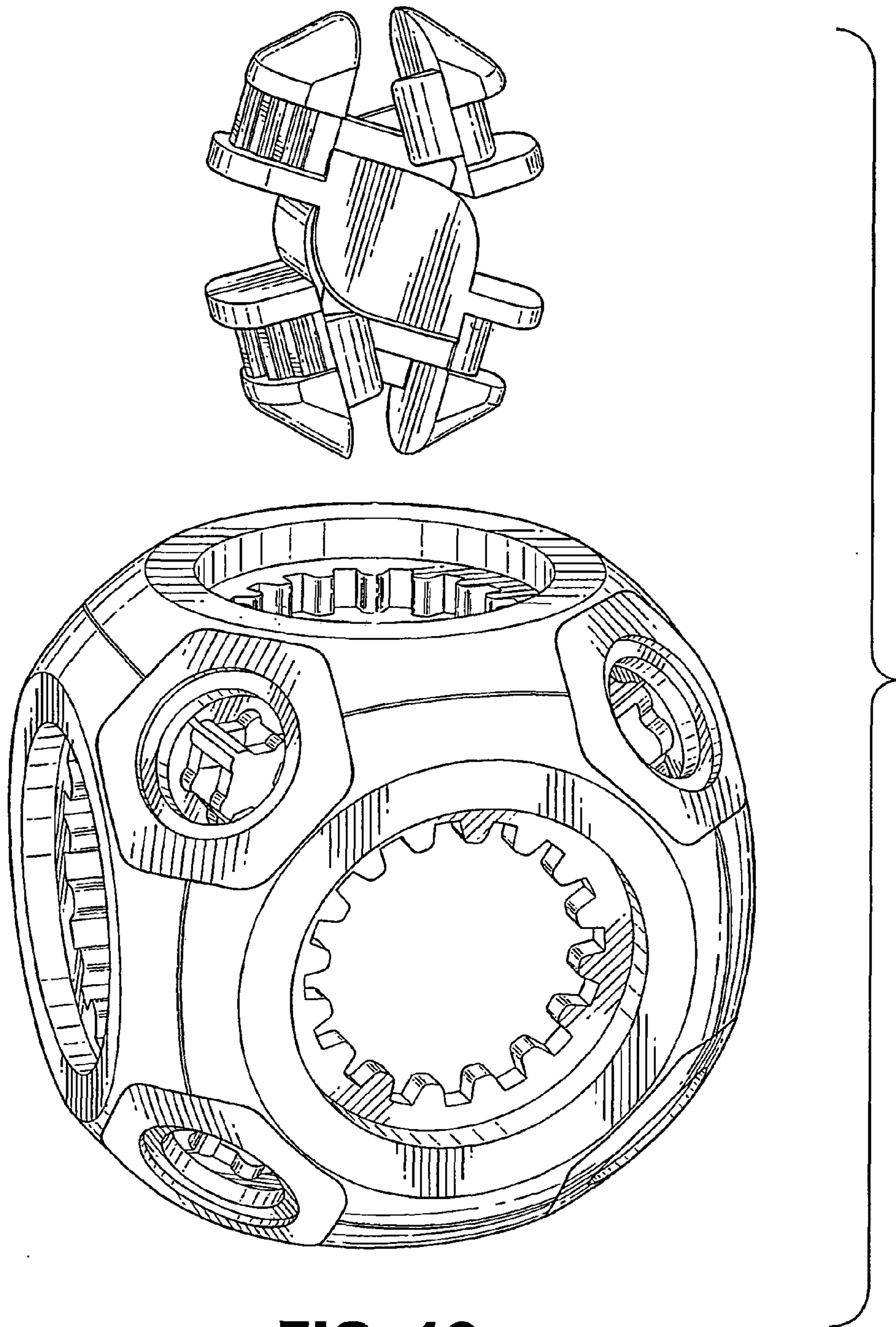


FIG. 10

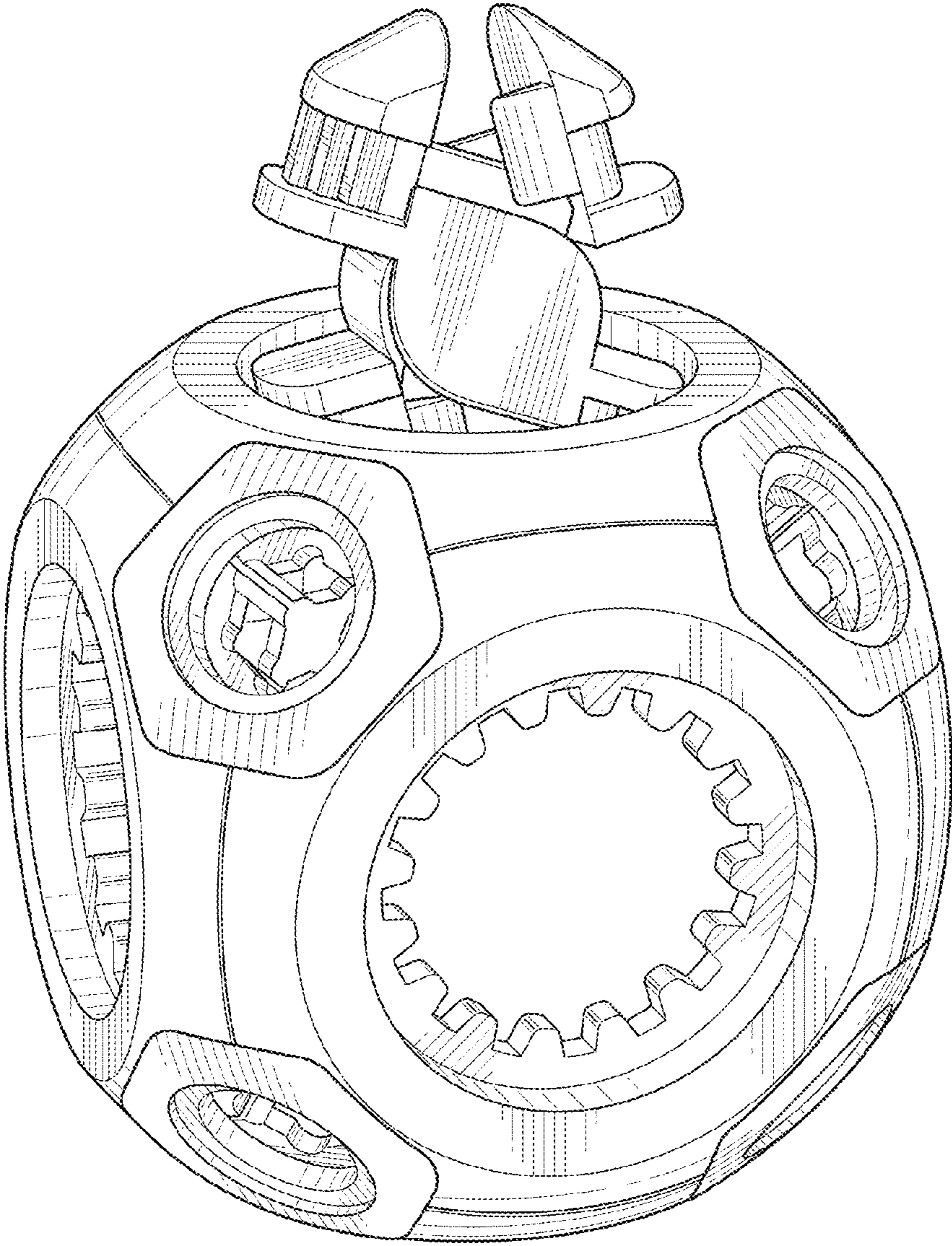


FIG. 11

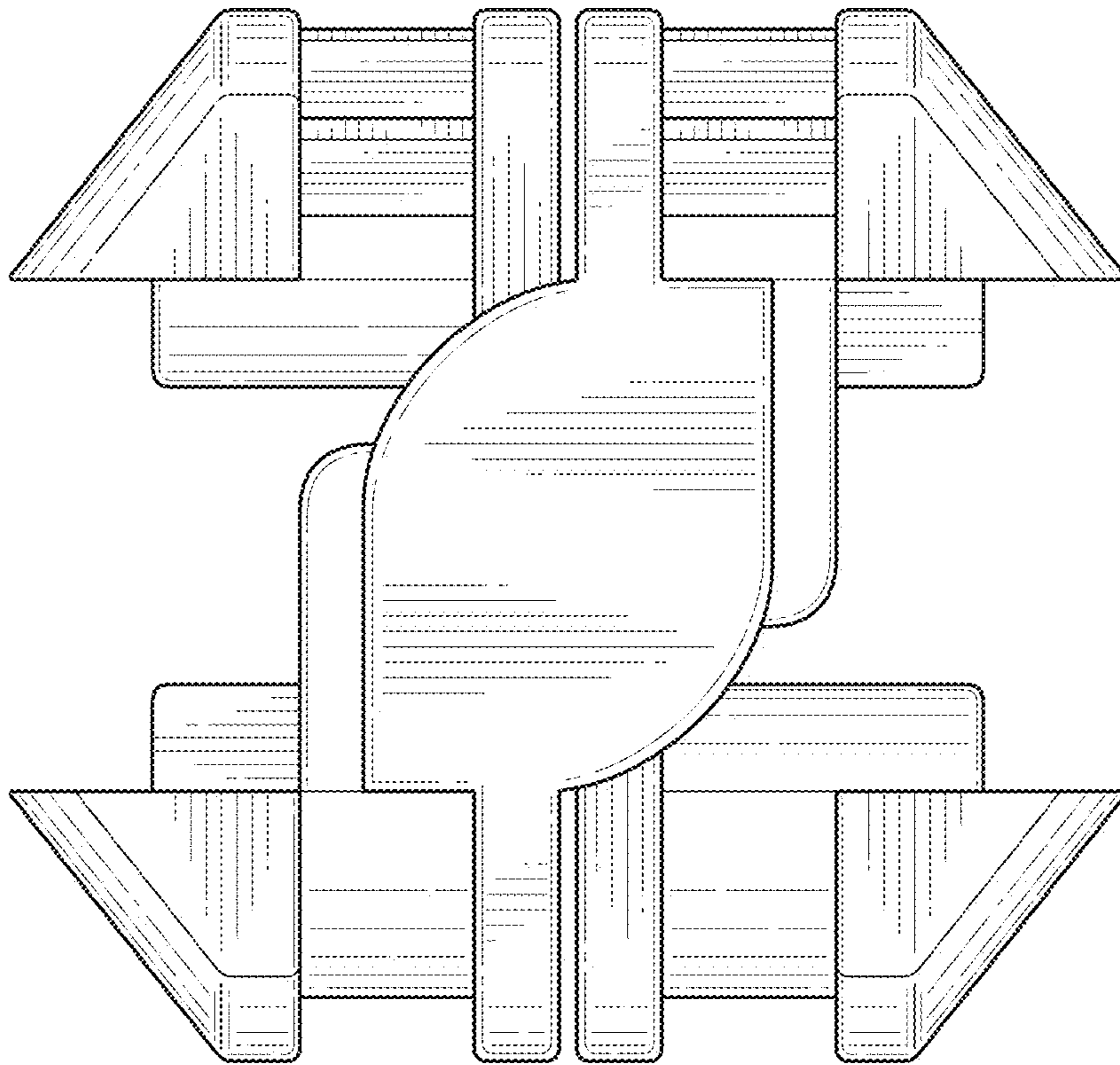


FIG. 12

UNITED STATES PATENT AND TRADEMARK OFFICE
CERTIFICATE OF CORRECTION

PATENT NO. : D692,507 S
APPLICATION NO. : 29/387638
DATED : October 29, 2013
INVENTOR(S) : Jean-Michel Meys

Page 1 of 1

It is certified that error appears in the above-identified patent and that said Letters Patent is hereby corrected as shown below:

On the title page item (76) Inventor should read as: Jean-Michel MEYS, La Croix-sur-Lutry (CH)

Signed and Sealed this
Fifteenth Day of April, 2014



Michelle K. Lee
Deputy Director of the United States Patent and Trademark Office