

US00D692505S

(12) **United States Design Patent**
Jiang

(10) **Patent No.:** **US D692,505 S**
(45) **Date of Patent:** **** Oct. 29, 2013**

(54) **PEDAL GO-KART**

(71) Applicant: **Baokang Jiang**, Zhejiang (CN)

(72) Inventor: **Baokang Jiang**, Zhejiang (CN)

(**) Term: **14 Years**

(21) Appl. No.: **29/445,034**

(22) Filed: **Feb. 7, 2013**

(51) **LOC (9) Cl.** **21-01**

(52) **U.S. Cl.**
USPC **D21/426; D12/112**

(58) **Field of Classification Search**
USPC D21/412, 414, 431-435; D12/1, 107,
D12/110-114, 129, 130, 133; 280/87.01,
280/87.021, 87.05, 87.051, 47.17, 47.25,
280/47.34, 47.38, 47.4, 827, 828, 29, 200,
280/263, 266, 267, 270, 282, 288.4, 291,
280/293; 297/5; 482/68

See application file for complete search history.

(56) **References Cited**

U.S. PATENT DOCUMENTS

D251,264 S * 3/1979 Cook et al. D12/112
D408,869 S * 4/1999 Patmont D21/426

D437,364 S * 2/2001 Jang D21/426
D460,723 S * 7/2002 Smit D12/112
D483,420 S * 12/2003 DeLong et al. D21/426
D516,962 S * 3/2006 Oosterveer D12/112
D518,417 S * 4/2006 Oosterveer D12/112
7,552,934 B2 * 6/2009 Lee et al. 280/266
D608,250 S * 1/2010 Van De Vrie D12/112
D682,746 S * 5/2013 Doherty et al. D12/112

* cited by examiner

Primary Examiner — Cynthia M Chin

(57) **CLAIM**
The ornamental design for a pedal go-kart, as shown.

DESCRIPTION

FIG. 1 is a front elevational view of a pedal go-kart showing my new design;
FIG. 2 is a rear elevational view thereof;
FIG. 3 is a left side view thereof;
FIG. 4 is a right side view thereof;
FIG. 5 is a top plan view thereof;
FIG. 6 is a bottom plan view thereof;
FIG. 7 is a perspective view thereof; and,
FIG. 8 is another perspective view thereof.

1 Claim, 3 Drawing Sheets



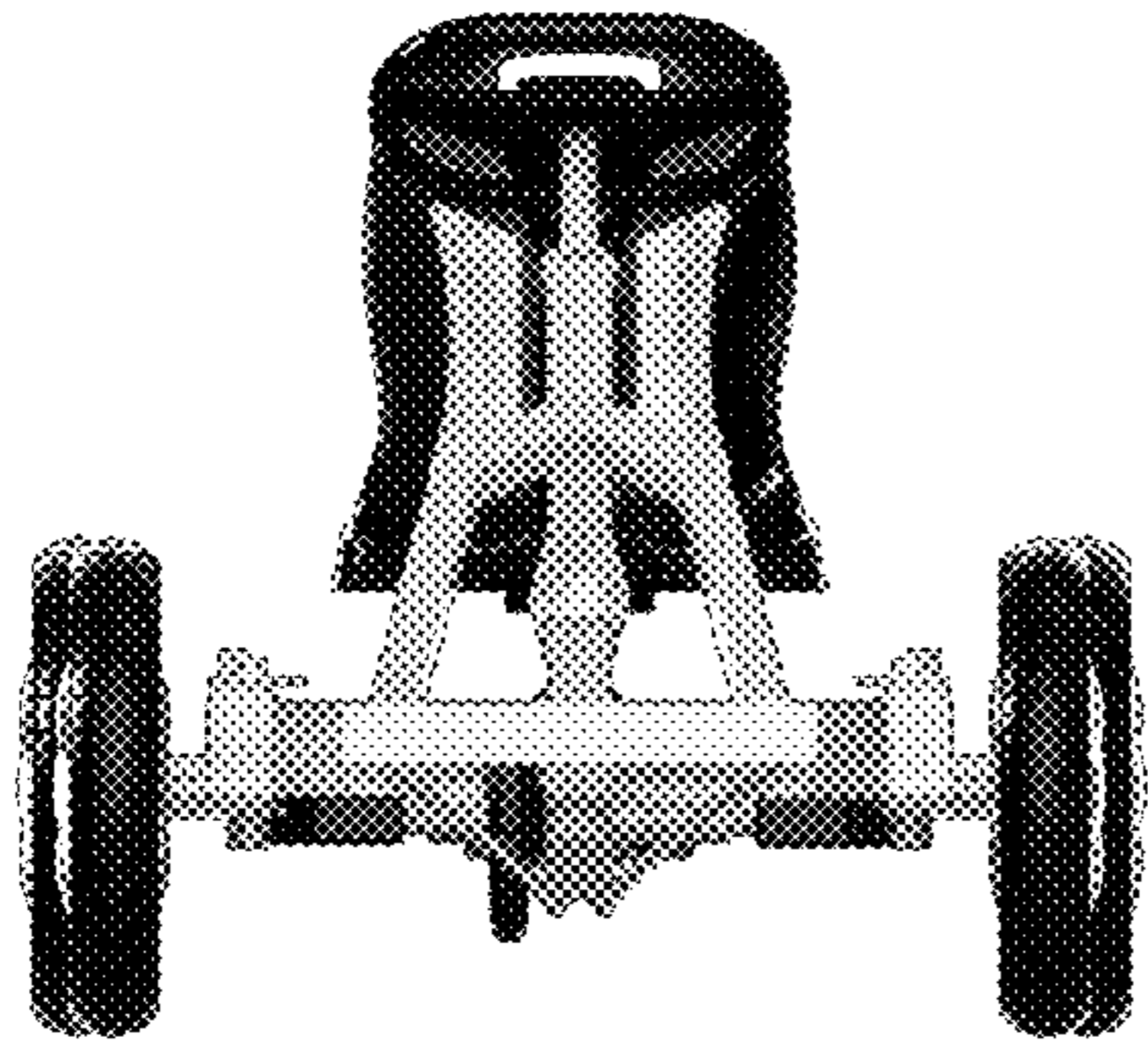


FIG. 1

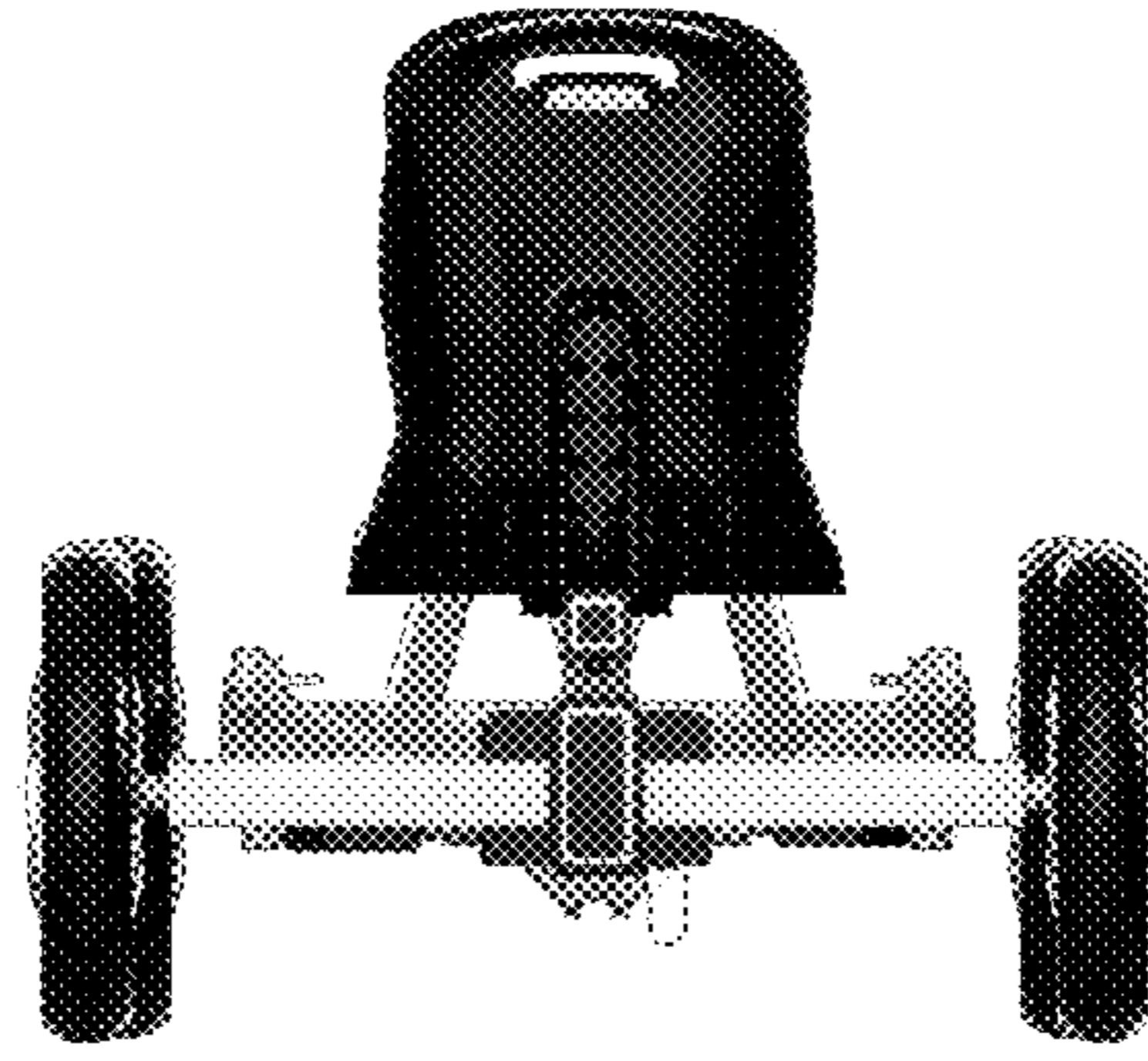


FIG. 2

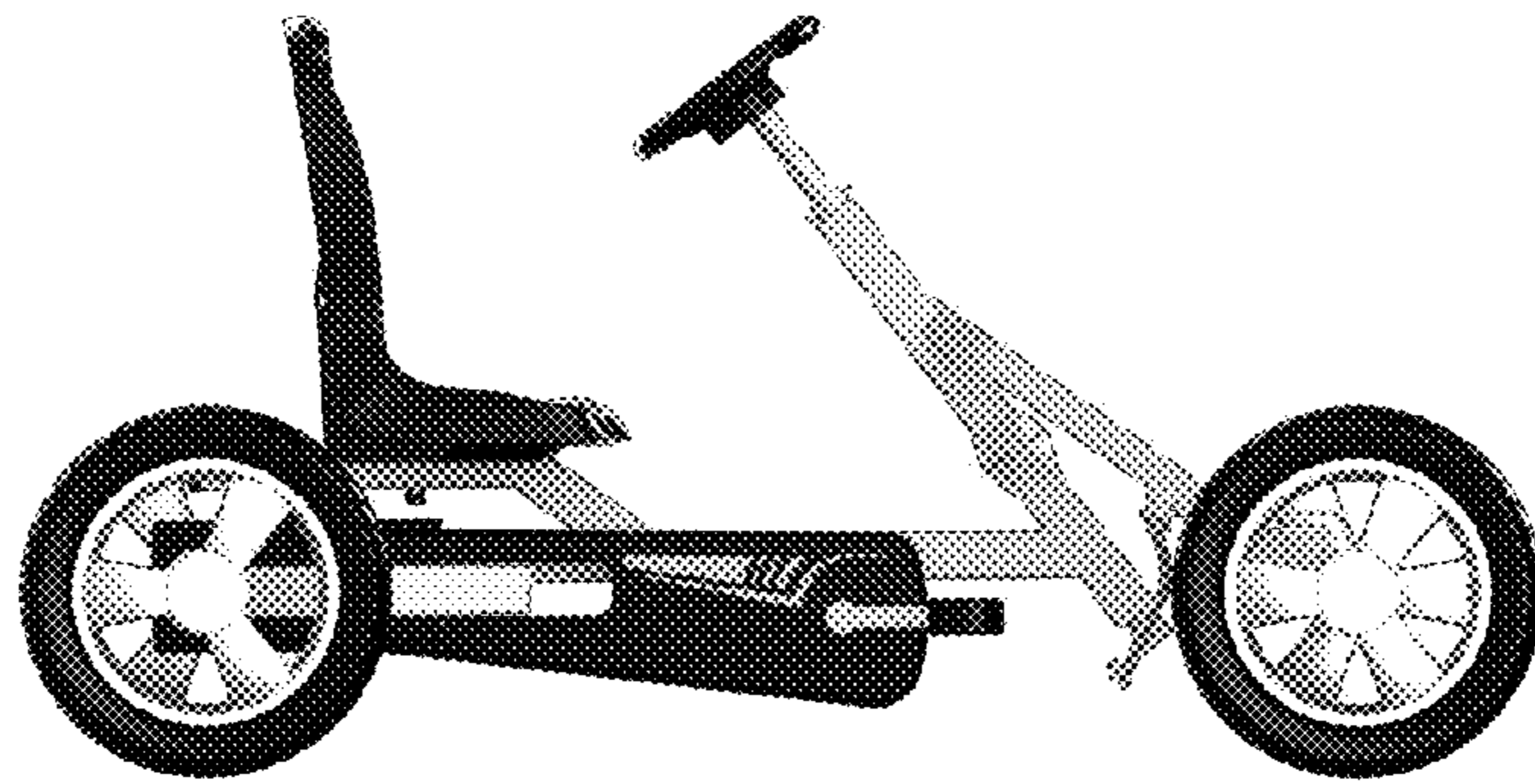


FIG. 3

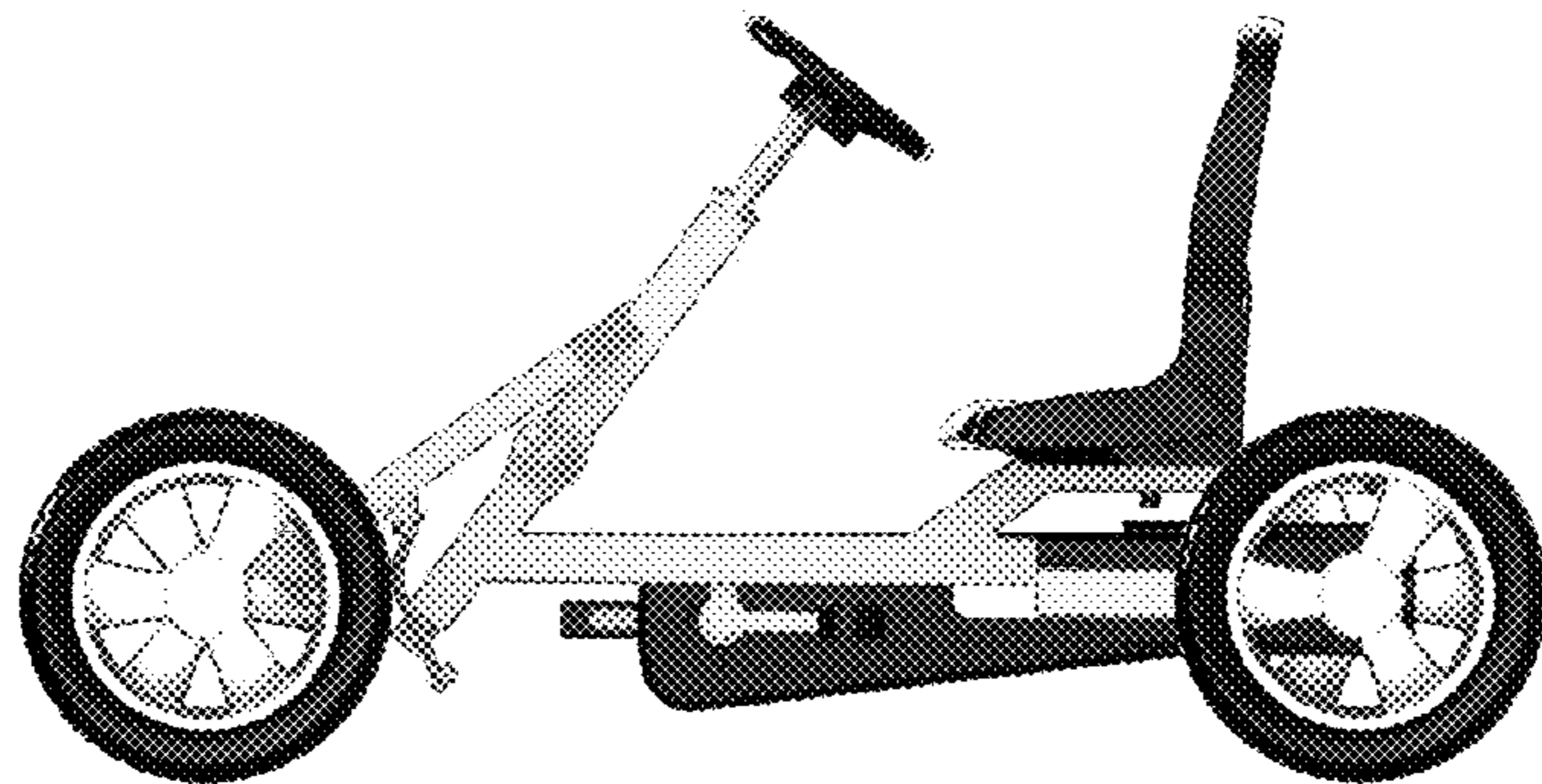


FIG. 4

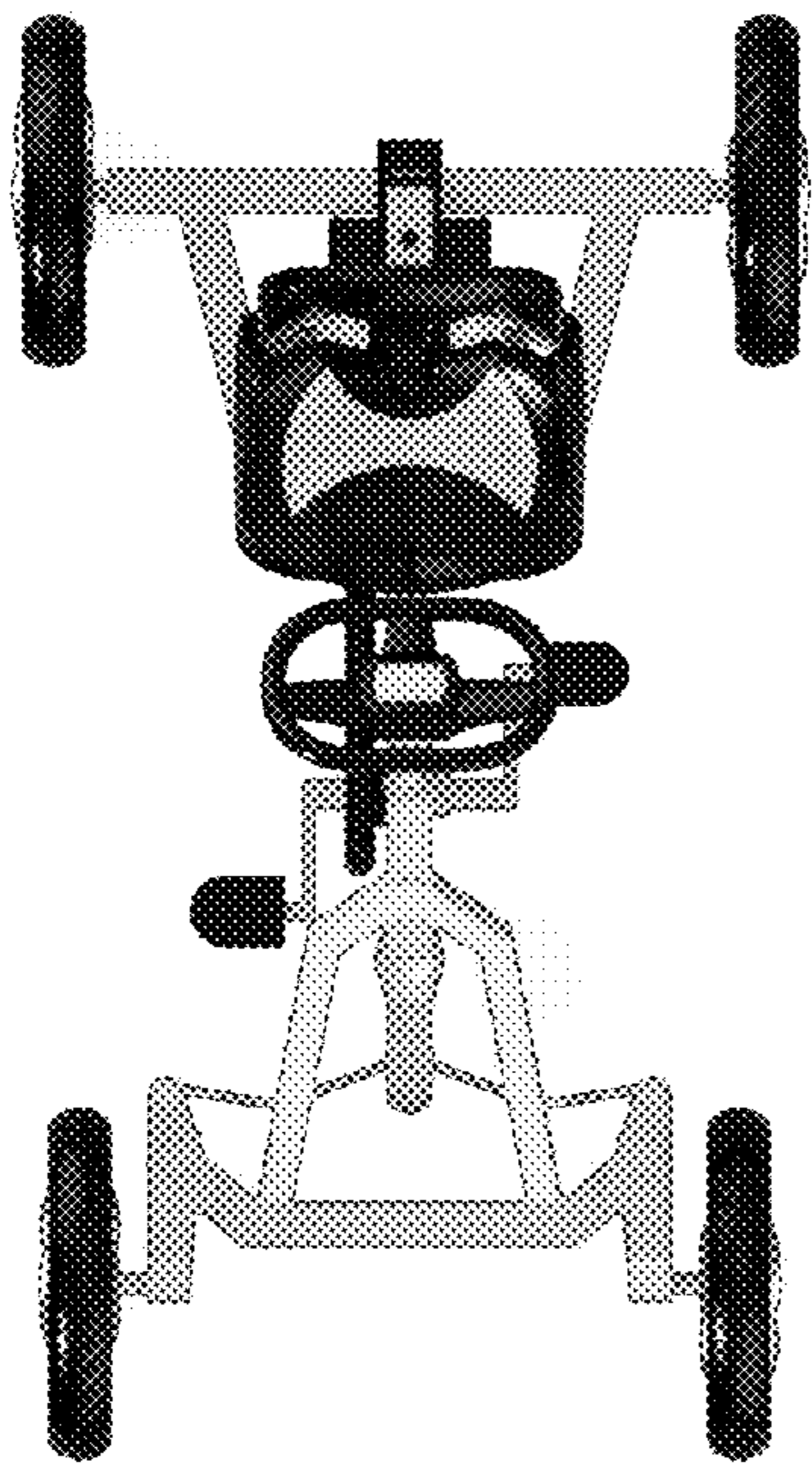


FIG. 5

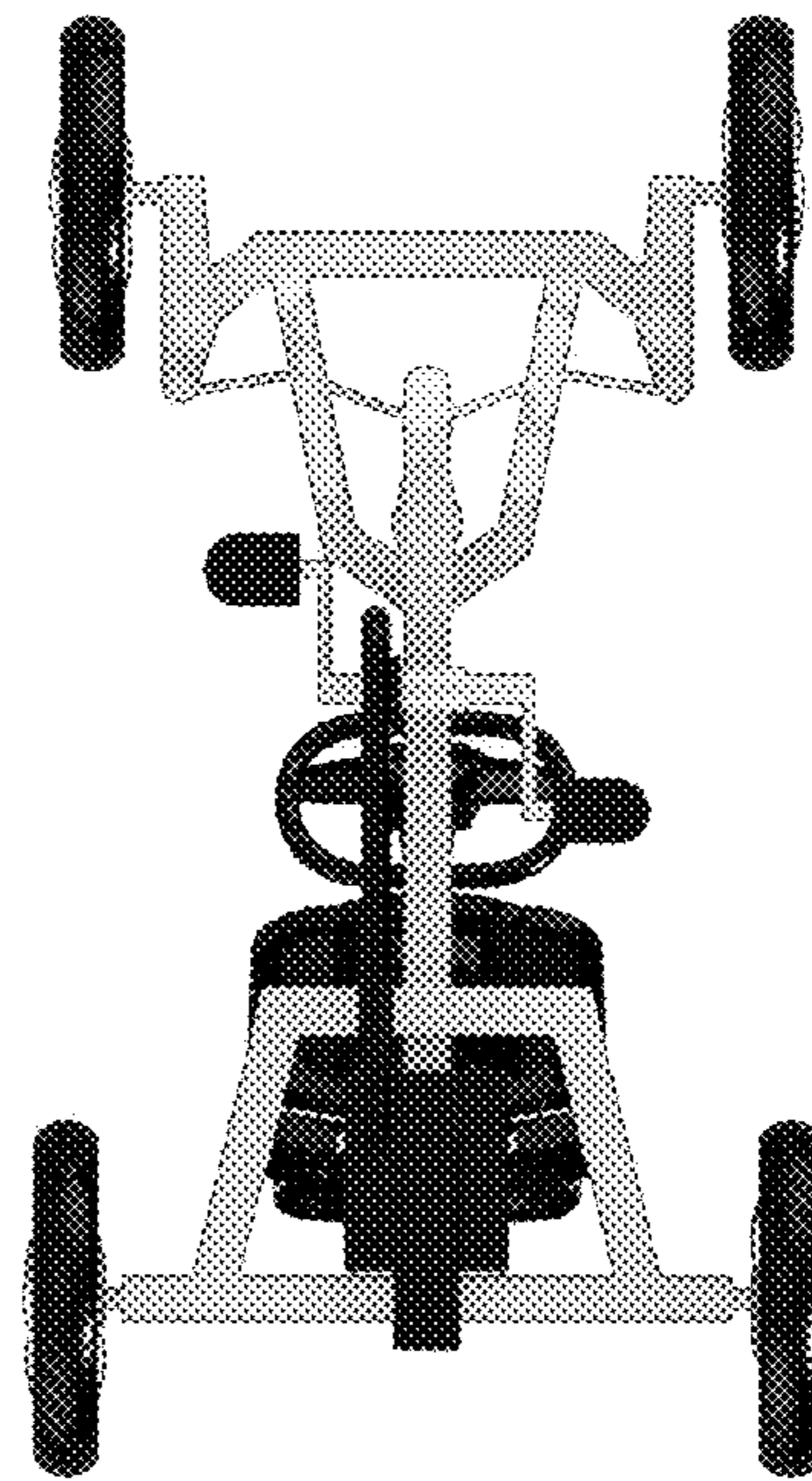


FIG. 6



FIG. 7

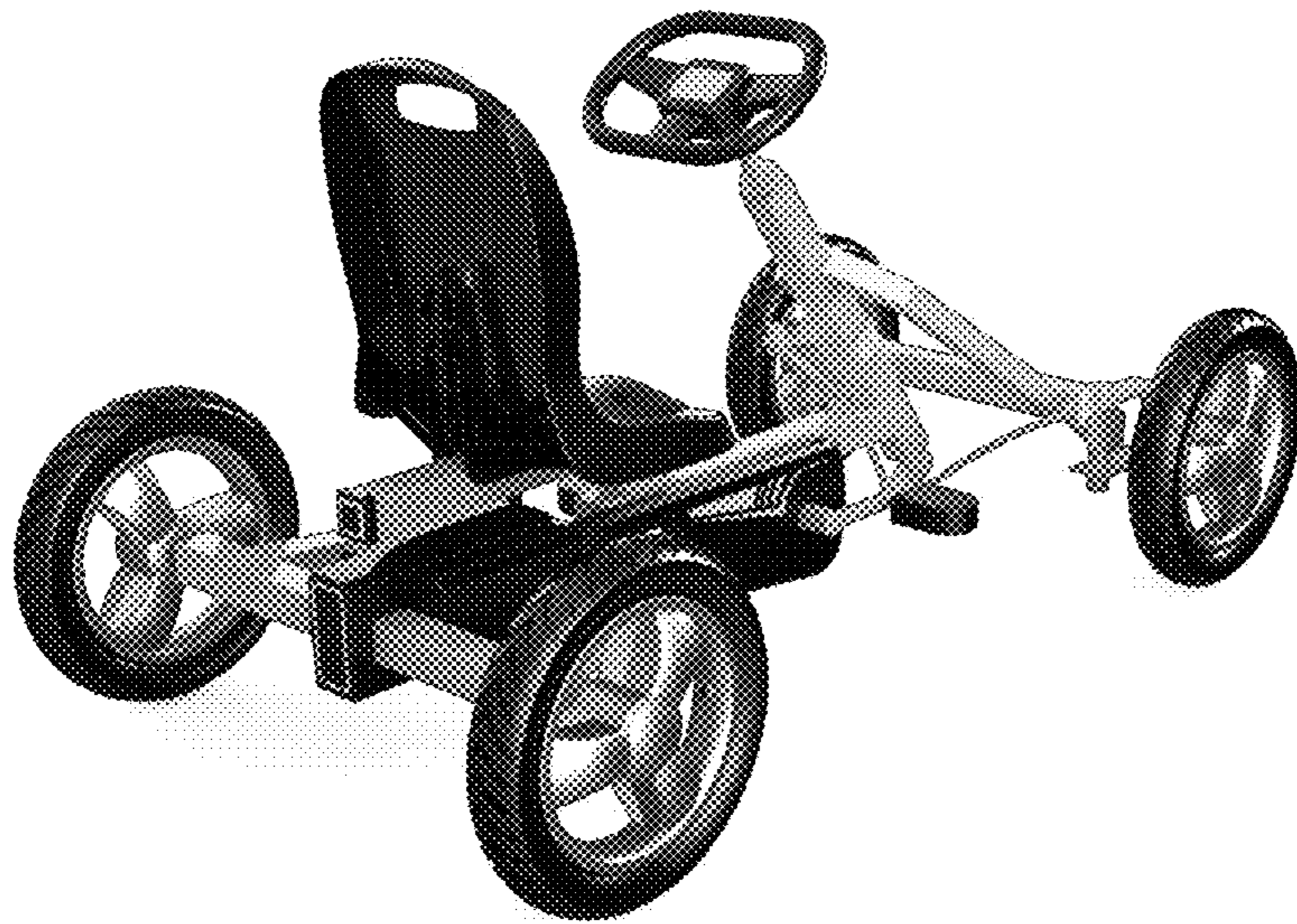


FIG. 8