



US00D692504S

(12) **United States Design Patent**
Williams

(10) **Patent No.:** **US D692,504 S**
(45) **Date of Patent:** **** Oct. 29, 2013**

- (54) **WINGS FOR A DART**
- (75) Inventor: **Kevin Williams**, Brooklyn, NY (US)
- (73) Assignee: **Ogosport LLC**, Brooklyn, NY (US)
- (**) Term: **14 Years**
- (21) Appl. No.: **29/413,123**
- (22) Filed: **Feb. 10, 2012**
- (51) **LOC (9) Cl.** **21-01**
- (52) **U.S. Cl.**
USPC **D21/387**
- (58) **Field of Classification Search**
USPC D21/387, 437, 707, 711; 473/572, 578;
237/348.2
See application file for complete search history.

- D425,943 S * 5/2000 Kurtz D21/387
- D522,590 S * 6/2006 Wood D21/387
- D627,010 S * 11/2010 Routzong D21/452

* cited by examiner

Primary Examiner — George D Kirschbaum
(74) *Attorney, Agent, or Firm* — Kane Kessler, P.C.; Barry E. Negrin; Paul E. Szabo

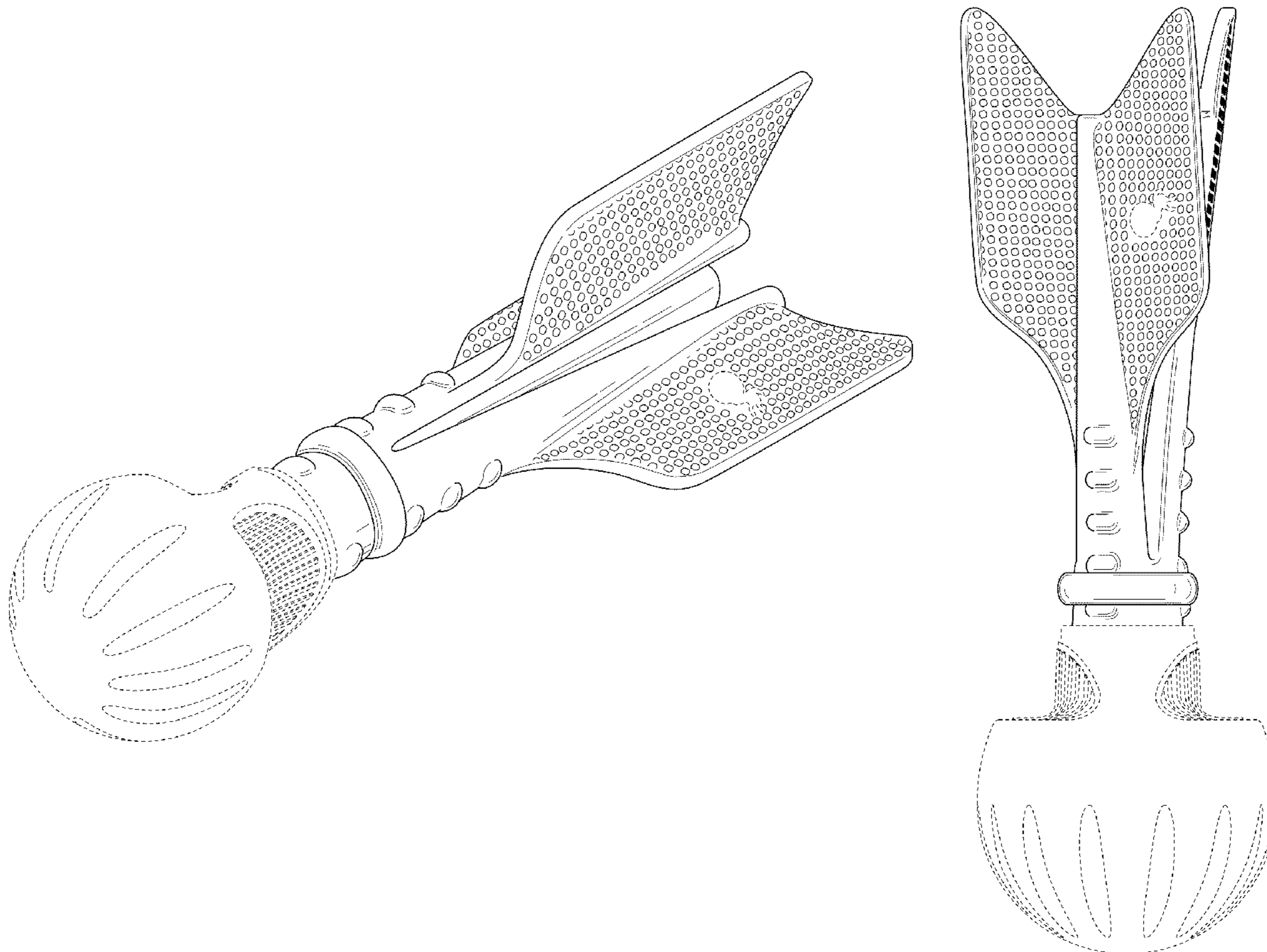
(57) **CLAIM**
The ornamental design for wings for a dart, as shown.

DESCRIPTION

FIG. 1 is a perspective view of wings for a dart, showing my new design, illustrated in a condition assembled with a head portion of a dart;
FIG. 2 is a top plan view of the dart of FIG. 1;
FIG. 3 is a left side elevational view of the dart of FIG. 1;
FIG. 4 is a bottom plan view of the dart of FIG. 1;
FIG. 5 is a right side elevational view of the dart of FIG. 1;
FIG. 6 is a front elevational view of the dart of FIG. 1; and
FIG. 7 is a rear elevational view of the dart of FIG. 1.
The portions of the drawings that are shown in dashed lines are environment and are not part of the claimed design.

- (56) **References Cited**
U.S. PATENT DOCUMENTS
D132,131 S * 4/1942 Mull D21/387
D231,097 S * 4/1974 Vogeltanz D22/149
D417,471 S * 12/1999 Stark D21/387
6,010,419 A * 1/2000 Rappaport et al. 473/613

1 Claim, 6 Drawing Sheets



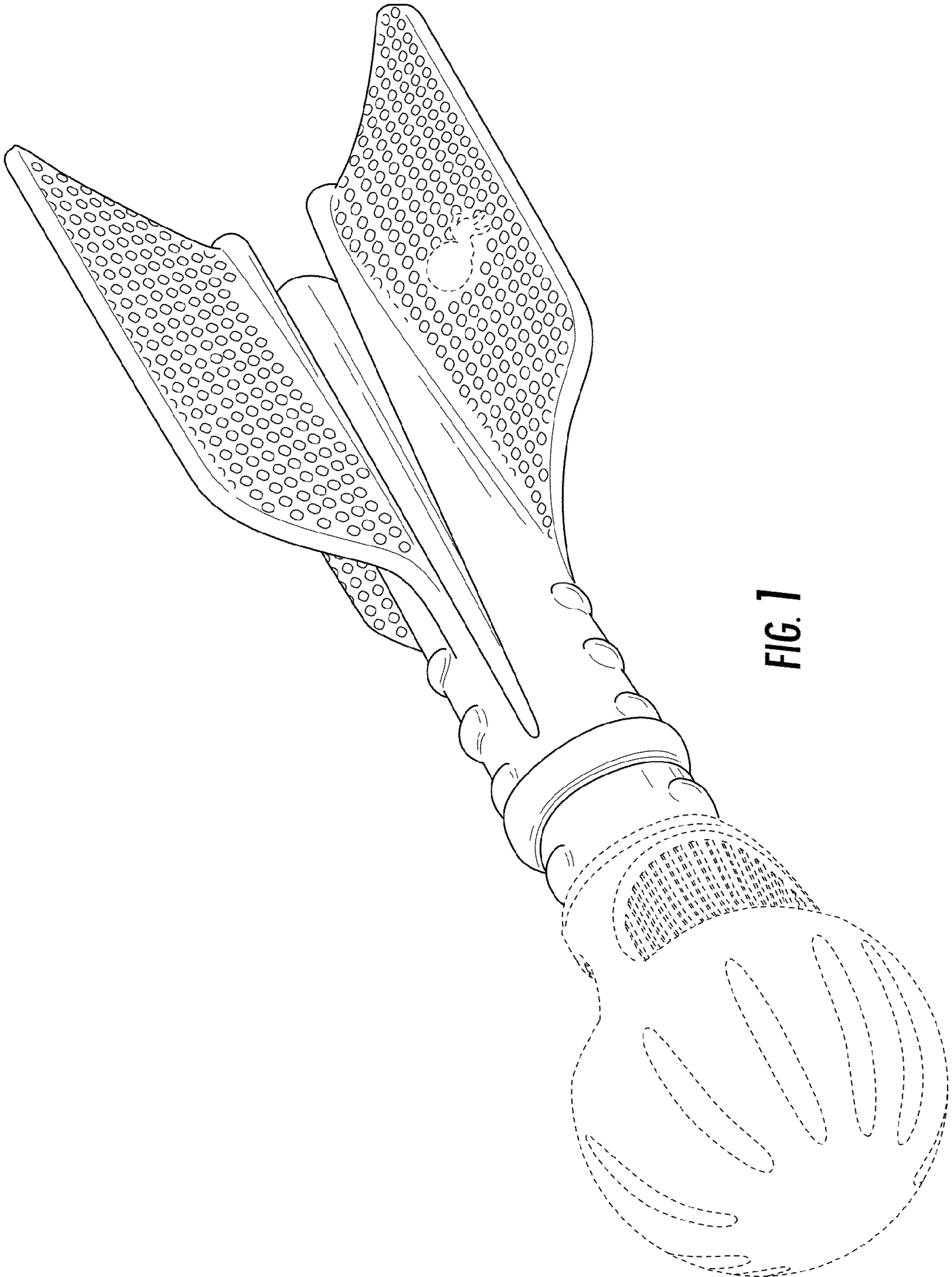


FIG. 1

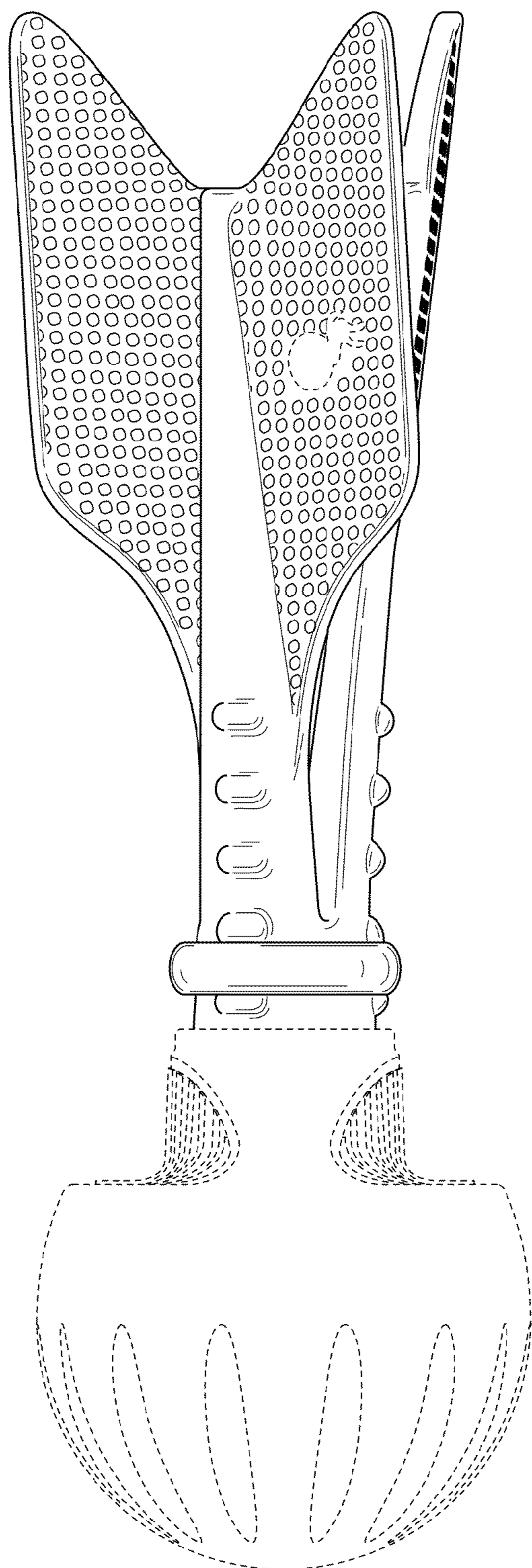


FIG. 2

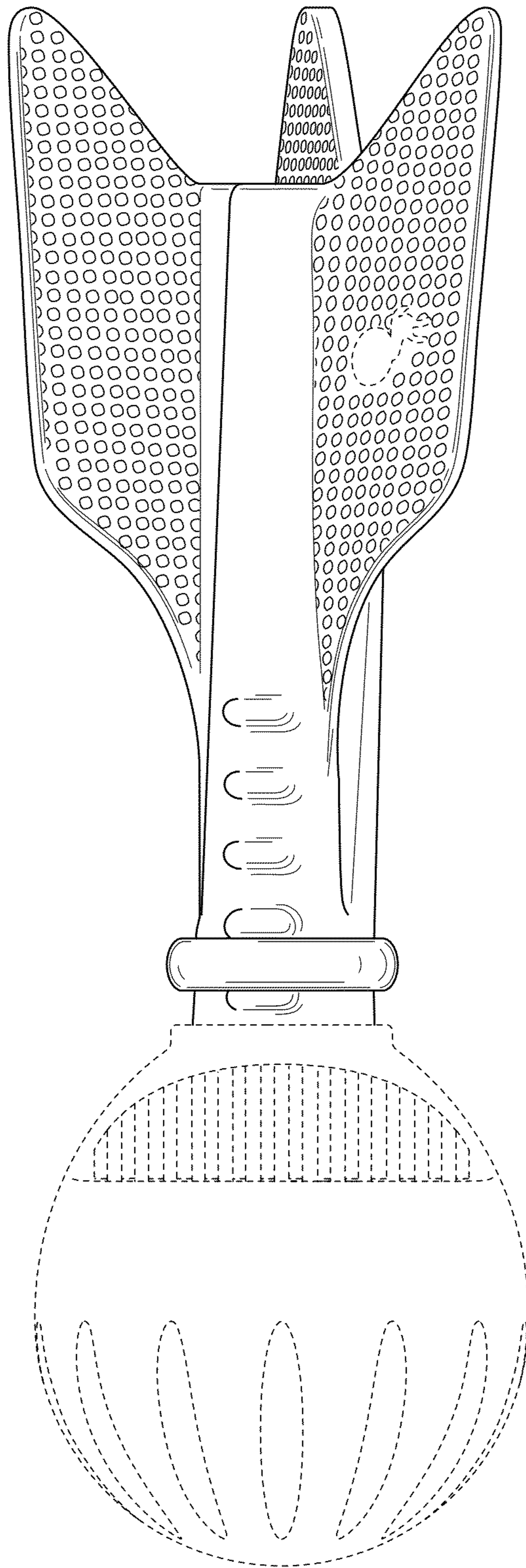


FIG. 3

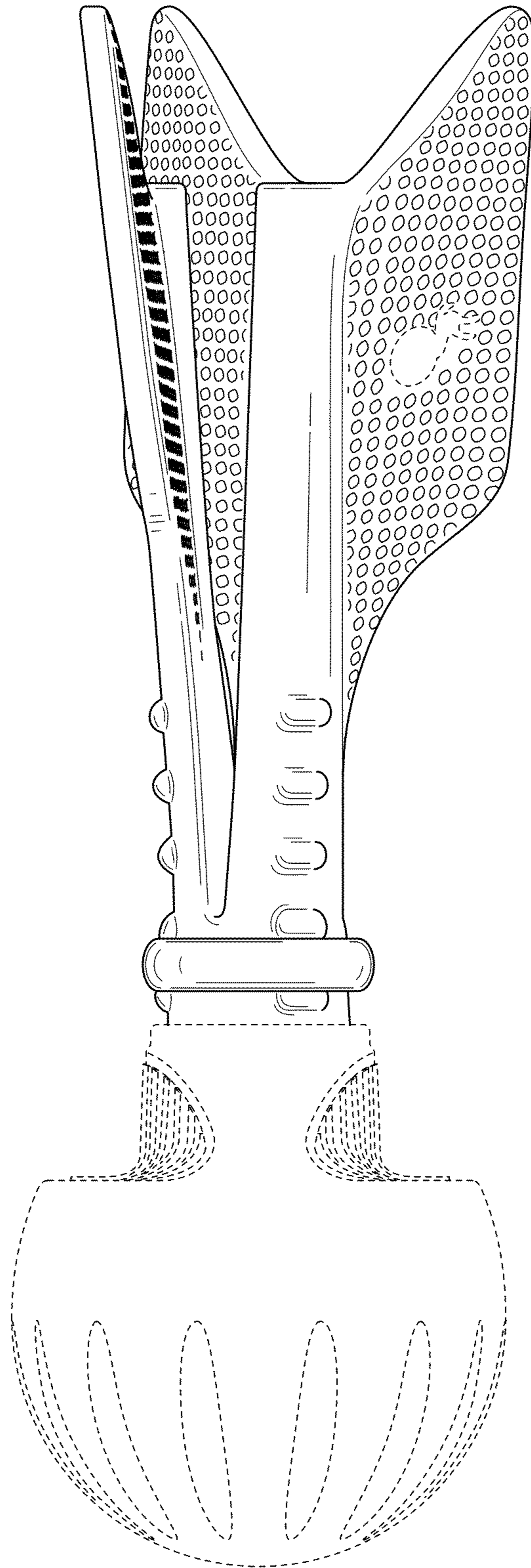


FIG. 4

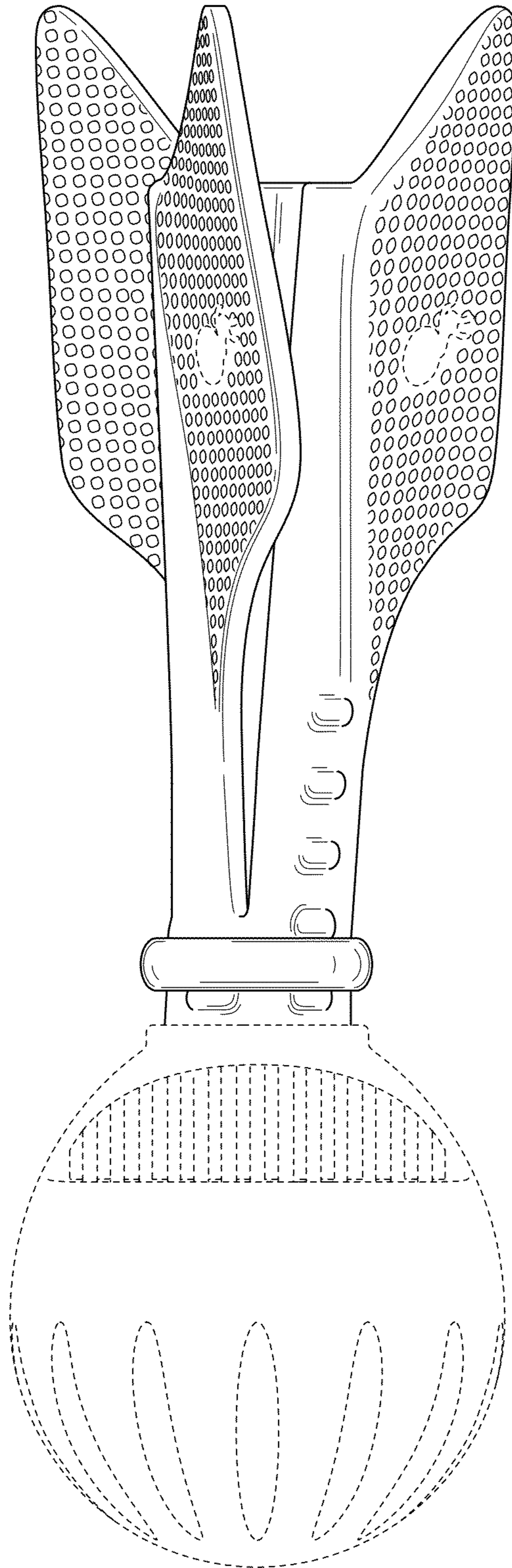


FIG. 5

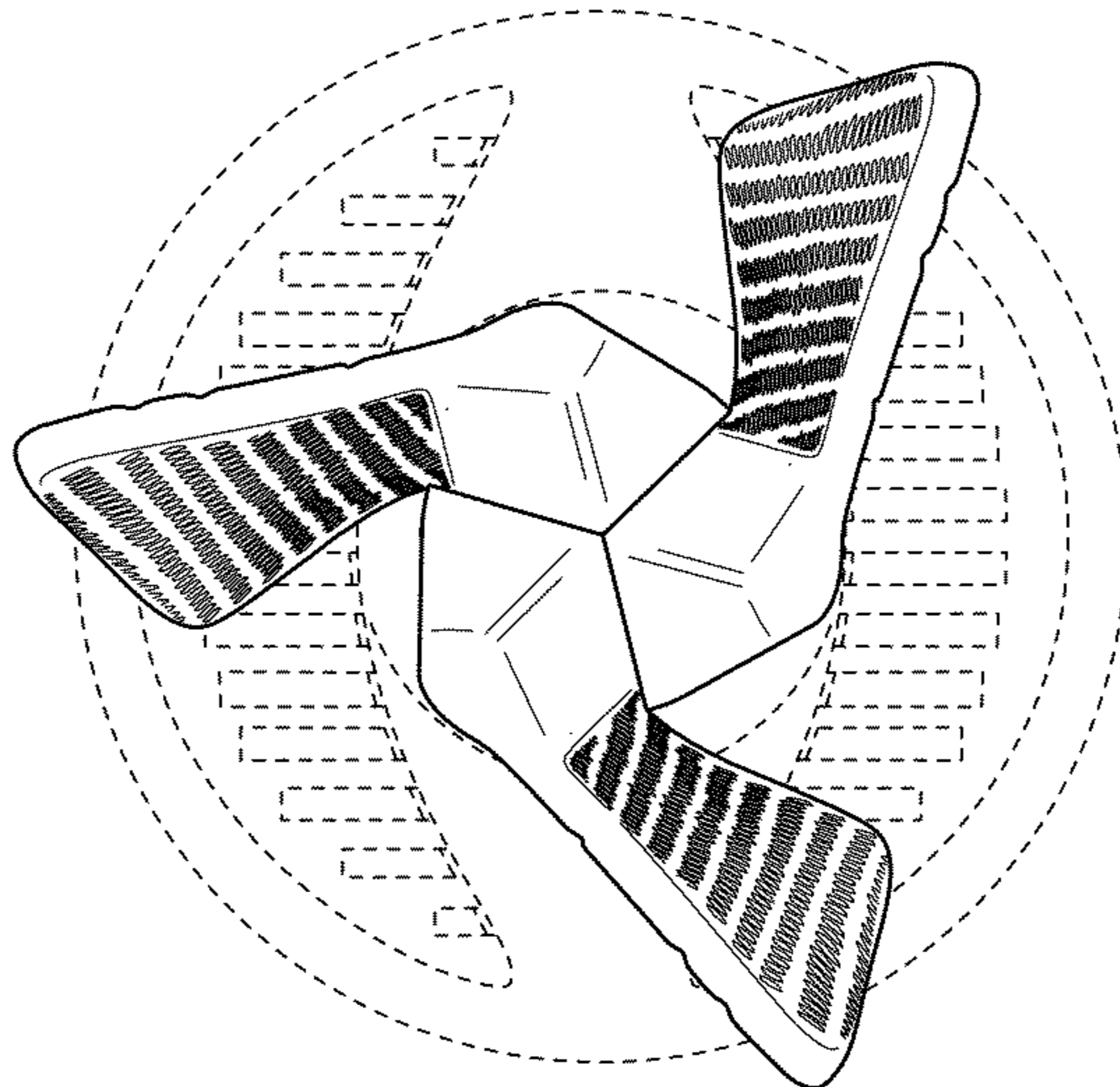


FIG. 6

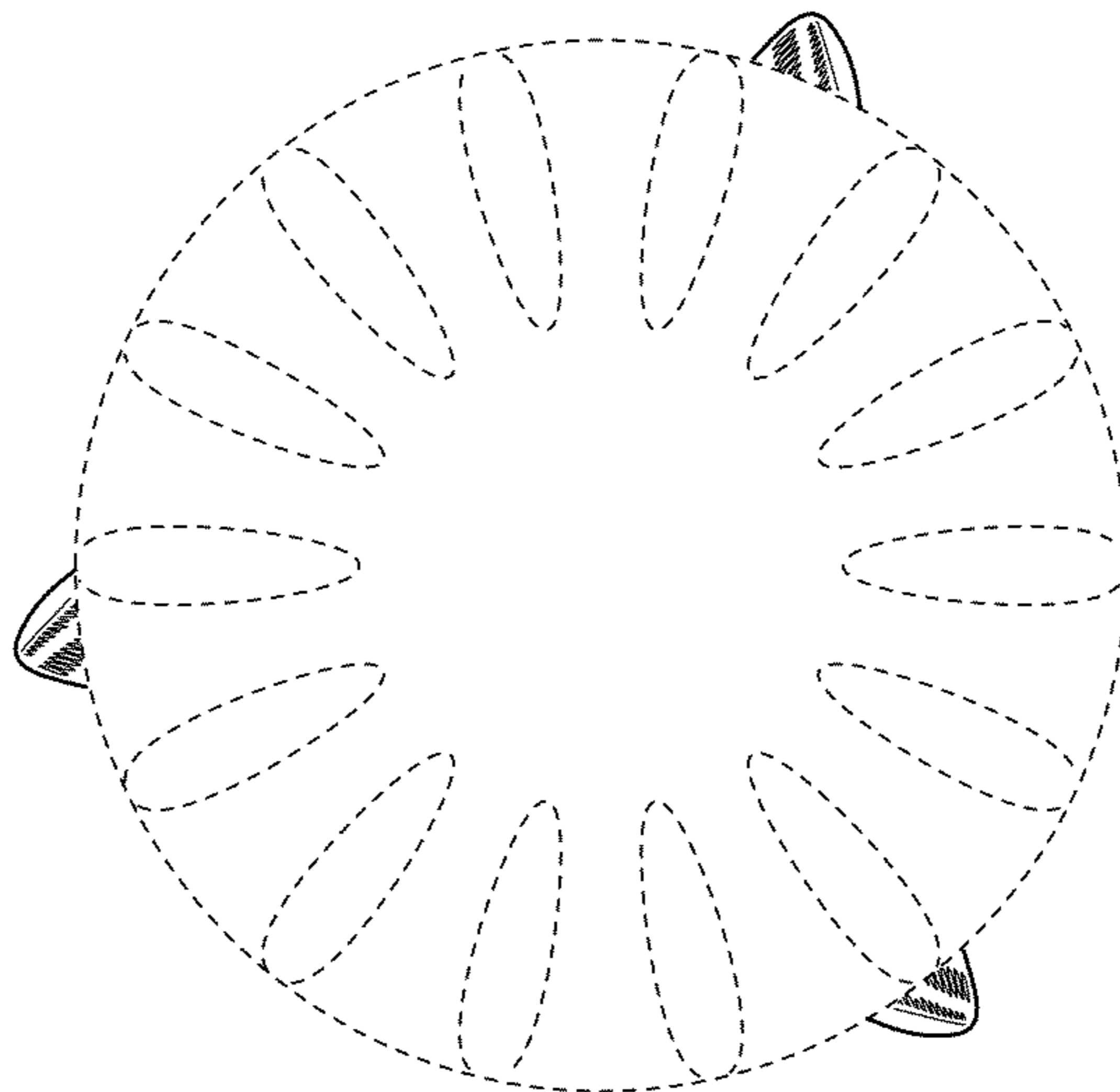


FIG. 7