



US00D692503S

(12) **United States Design Patent**  
**Williams**

(10) **Patent No.:** **US D692,503 S**  
(45) **Date of Patent:** **\*\* Oct. 29, 2013**

(54) **HEAD FOR A DART**

(75) Inventor: **Kevin Williams**, Brooklyn, NY (US)

(73) Assignee: **Ogosport LLC**, Brooklyn, NY (US)

(\*\*) Term: **14 Years**

(21) Appl. No.: **29/413,116**

(22) Filed: **Feb. 10, 2012**

(51) **LOC (9) Cl.** ..... **21-01**

(52) **U.S. Cl.**  
USPC ..... **D21/387**

(58) **Field of Classification Search**  
USPC ..... D21/387, 437, 707, 711; 473/572, 578;  
237/348.2  
See application file for complete search history.

(56) **References Cited**

**U.S. PATENT DOCUMENTS**

3,032,345 A \* 5/1962 Lemelson ..... 273/348.4  
D522,590 S \* 6/2006 Wood ..... D21/387

D542,115 S \* 5/2007 Hanna et al. .... D8/310  
D627,010 S \* 11/2010 Routzong ..... D21/452  
8,449,413 B1 \* 5/2013 Jackson et al. .... 473/578

\* cited by examiner

*Primary Examiner* — George D Kirschbaum

(74) *Attorney, Agent, or Firm* — Kane Kessler, P.C.; Barry E. Negrin; Paul E. Szabo

(57) **CLAIM**

The ornamental design for a head for a dart, as shown.

**DESCRIPTION**

FIG. 1 is a perspective view of a head for a dart, showing my new design, illustrated in a condition assembled on a wing portion of a dart;

FIG. 2 is a top plan view of the dart of FIG. 1;

FIG. 3 is a left side elevational view of the dart of FIG. 1;

FIG. 4 is a bottom plan view of the dart of FIG. 1;

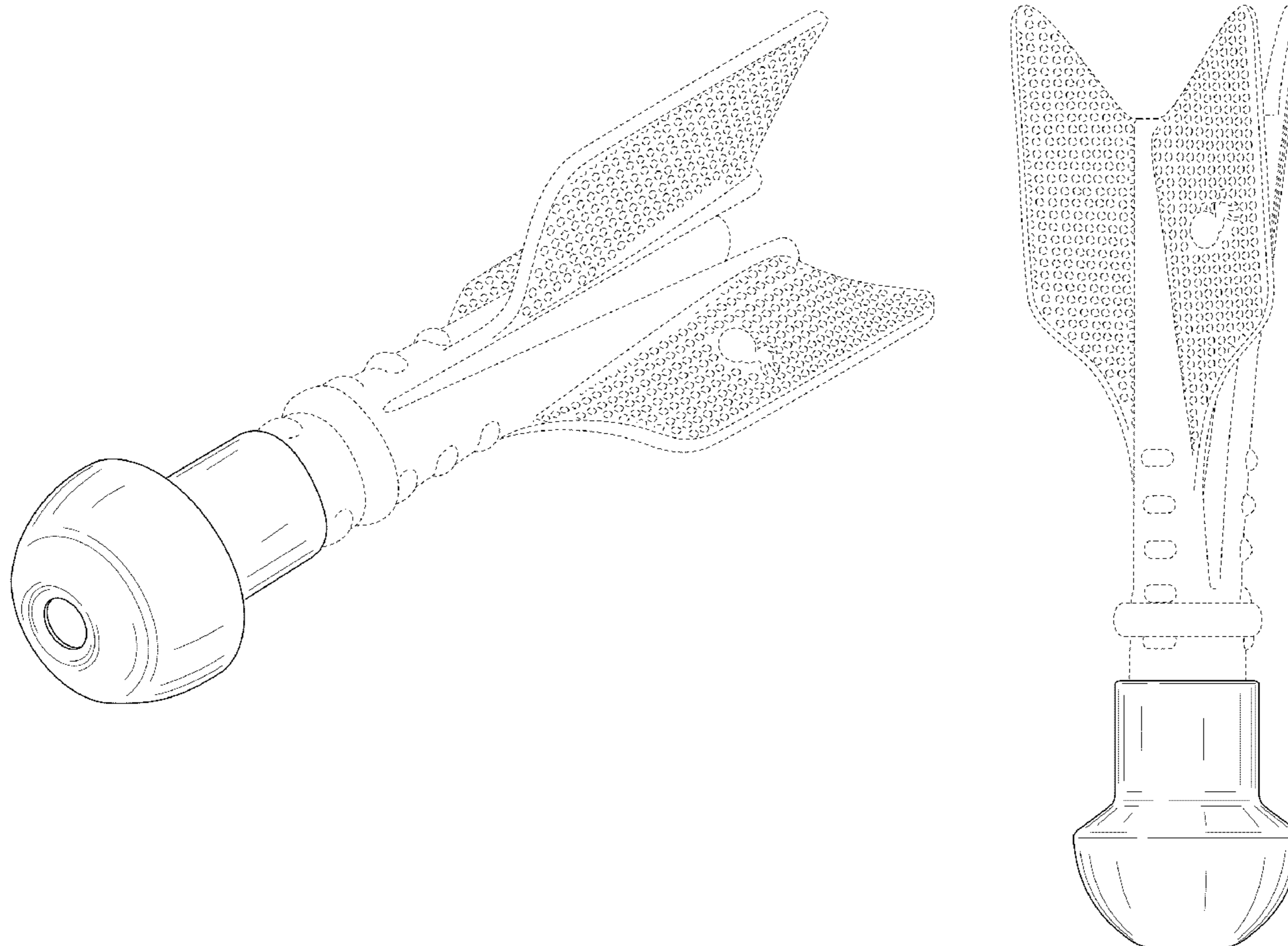
FIG. 5 is a right side elevational view of the dart of FIG. 1;

FIG. 6 is a front elevational view of the dart of FIG. 1; and,

FIG. 7 is a rear elevational view of the dart of FIG. 1.

The portions of the drawings that are shown in dashed lines are environment and are not part of the claimed design.

**1 Claim, 6 Drawing Sheets**



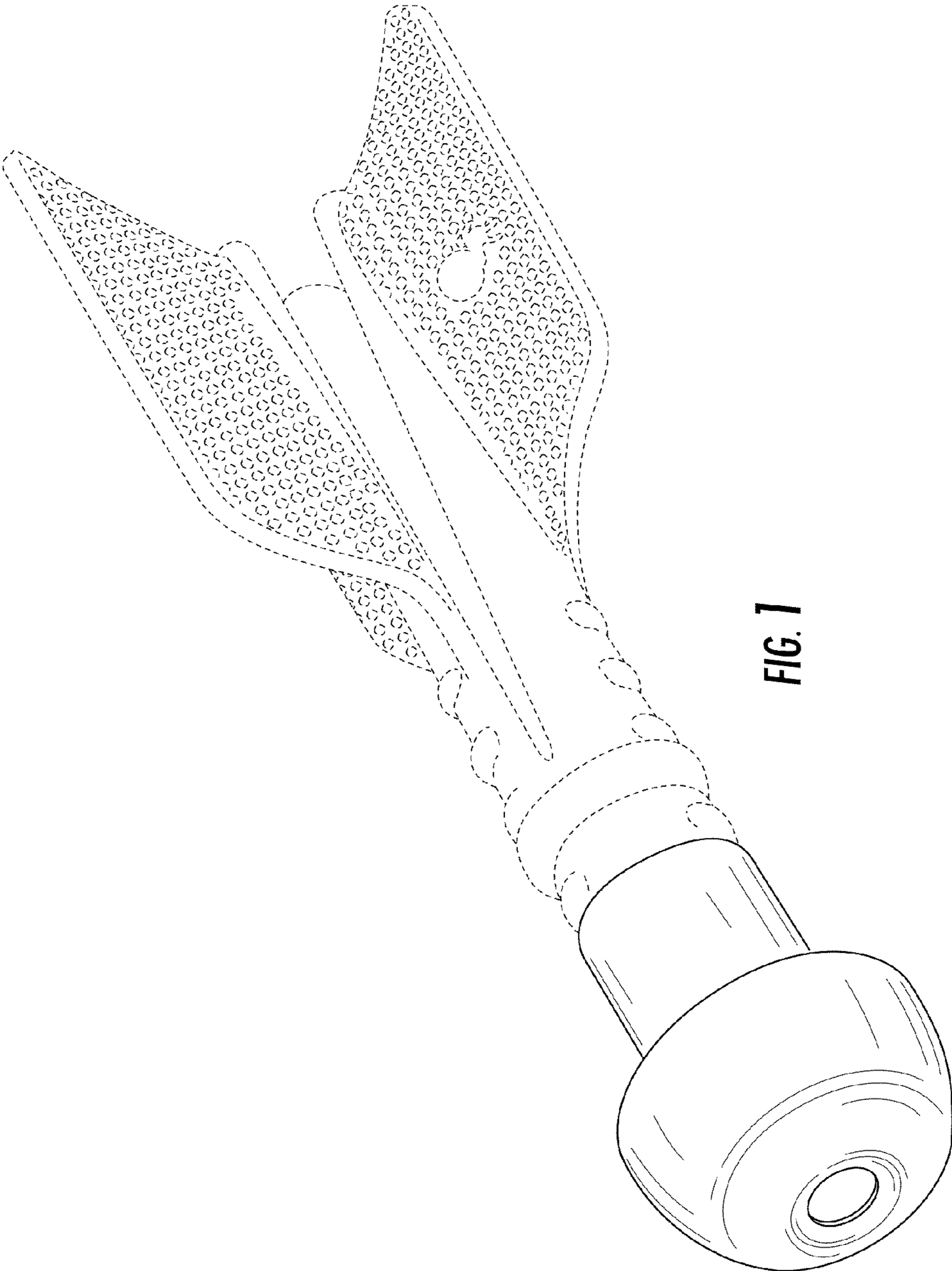


FIG. 1

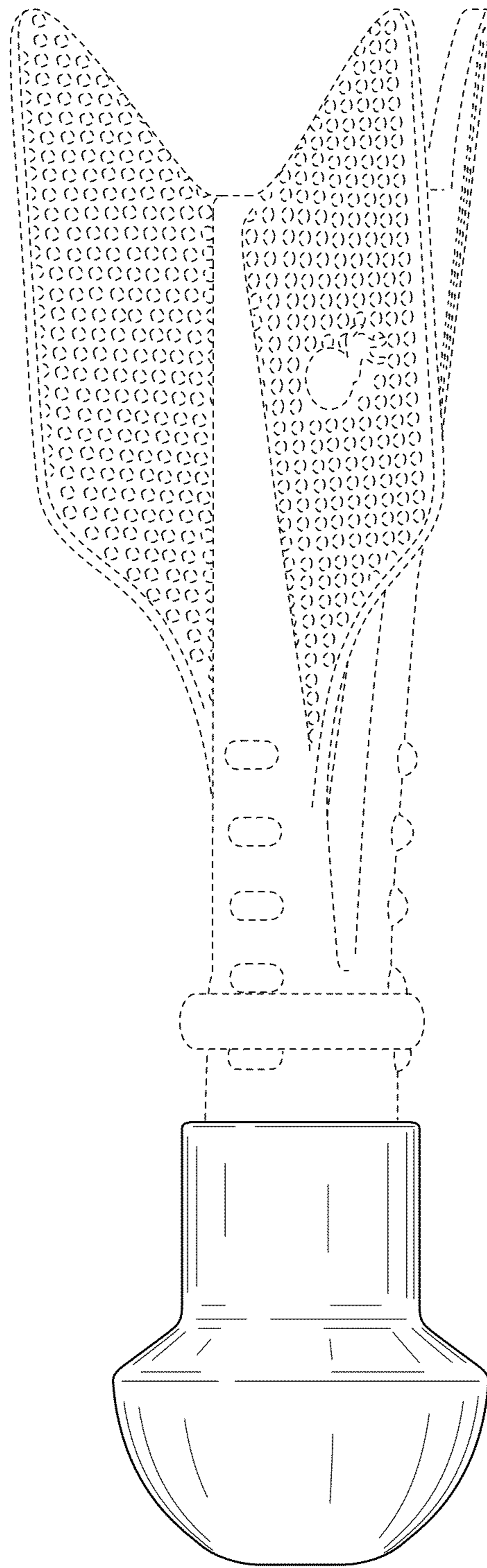
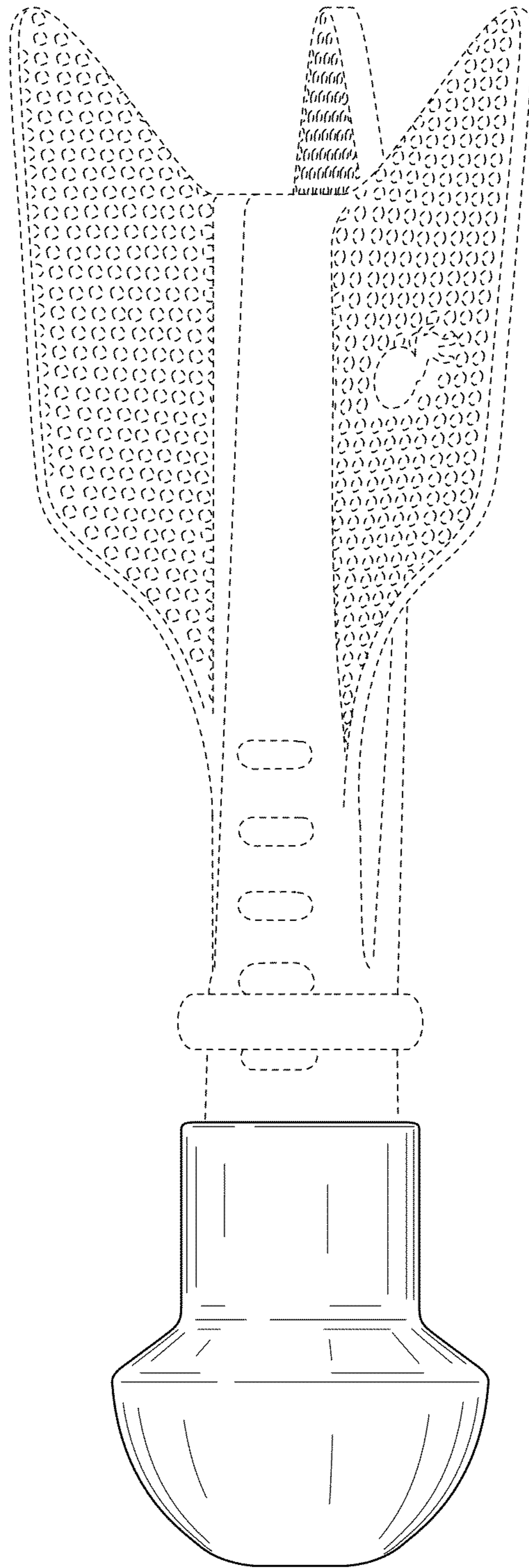
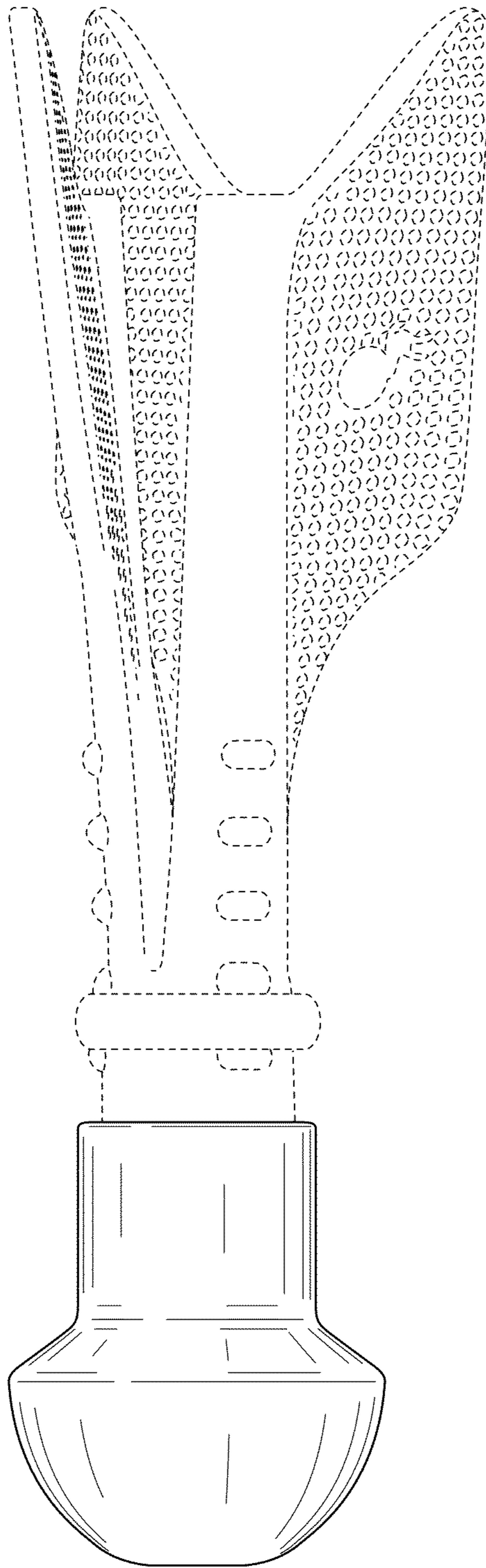


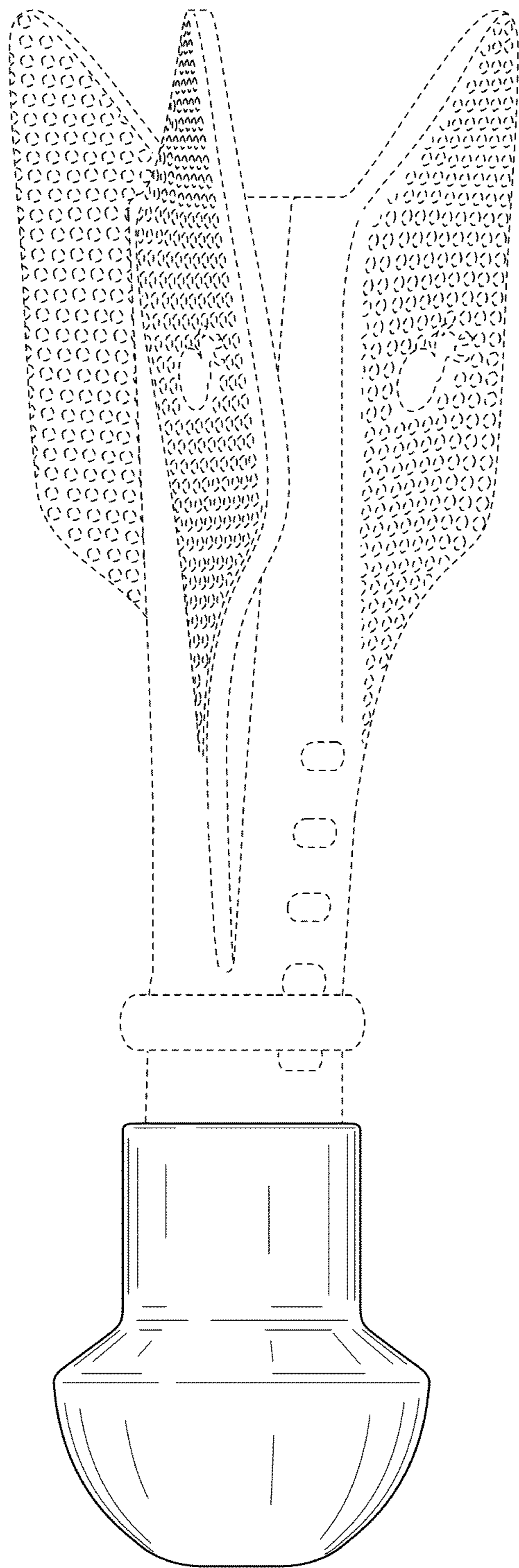
FIG. 2



**FIG. 3**



**FIG. 4**



**FIG. 5**

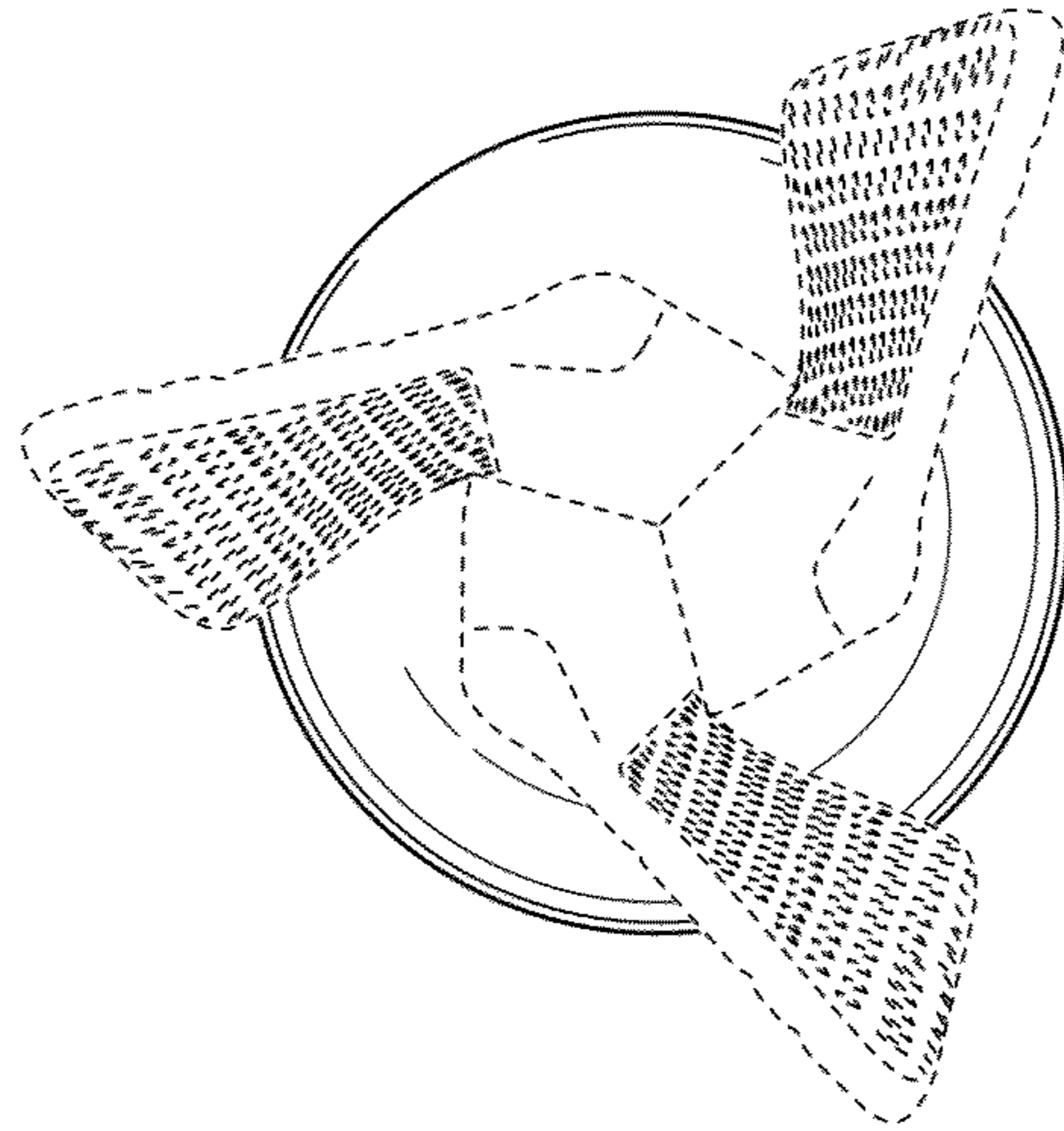


FIG. 6

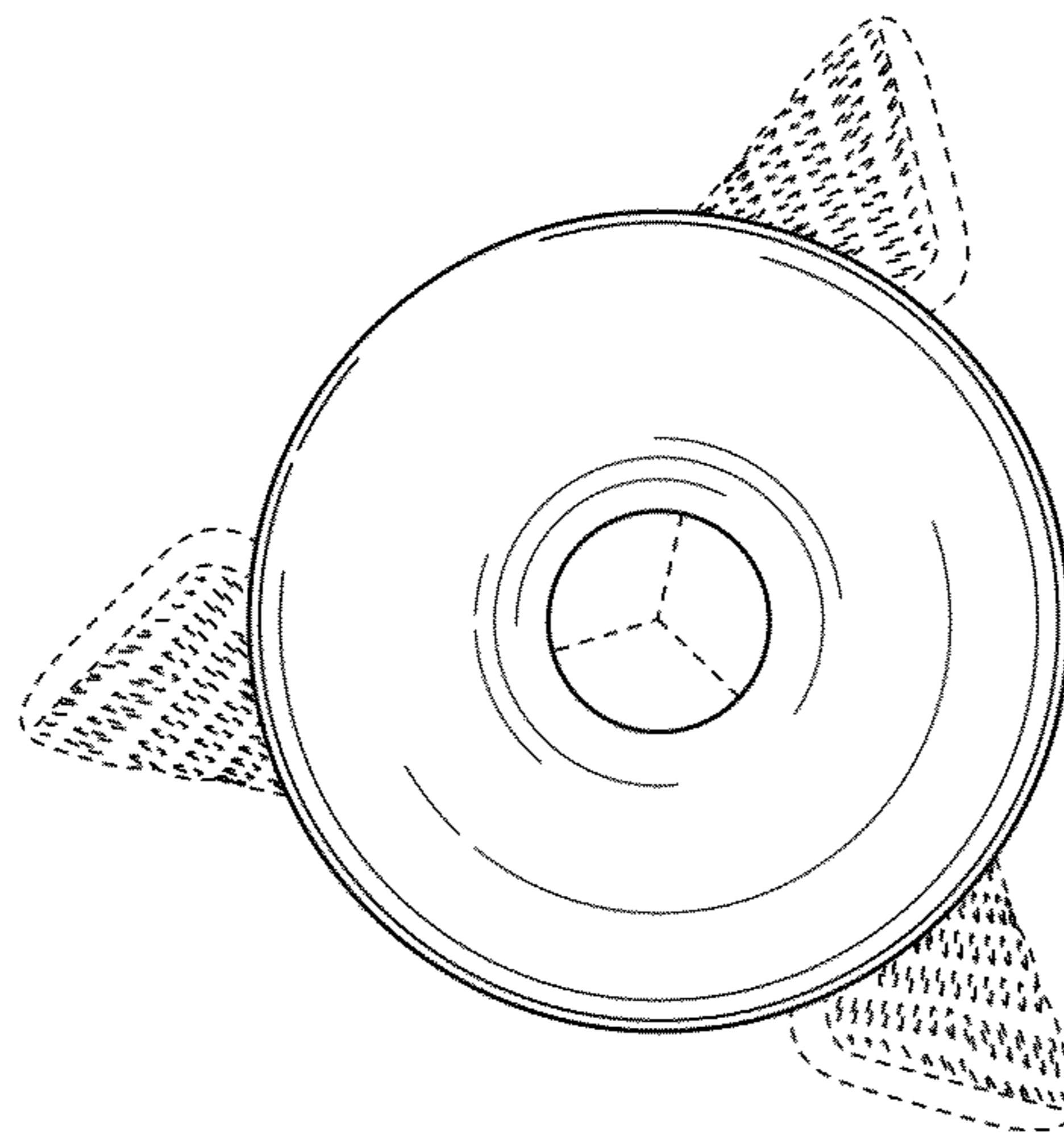


FIG. 7