



US00D692499S

(12) **United States Design Patent**  
**Kirby**

(10) **Patent No.:** **US D692,499 S**  
(45) **Date of Patent:** **\*\* Oct. 29, 2013**

(54) **LABEL HOLDER**

(71) Applicant: **Mary Kirby**, Beloit, WI (US)

(72) Inventor: **Mary Kirby**, Beloit, WI (US)

(73) Assignee: **Southern Imperial, Inc.**, Rockford, IL (US)

(\*\*) Term: **14 Years**

(21) Appl. No.: **29/444,076**

(22) Filed: **Jan. 25, 2013**

(51) **LOC (9) Cl.** ..... **20-03**

(52) **U.S. Cl.**  
USPC ..... **D20/43**

(58) **Field of Classification Search**  
USPC ..... D20/10, 19, 27, 42-44, 99; 40/642.01, 40/642.02, 649-651, 658, 661, 661.03, 40/661.05-661.07; D8/395; D11/184  
See application file for complete search history.

(56) **References Cited**

**U.S. PATENT DOCUMENTS**

D305,911 S *	2/1990	Burlando	.....	D20/44
D308,546 S *	6/1990	Barnes	.....	D20/43
D439,929 S *	4/2001	Shanok	.....	D20/43
D472,278 S *	3/2003	Valiulis	.....	D20/43
D475,753 S *	6/2003	Valiulis	.....	D20/43
D476,375 S *	6/2003	Zadak et al.	.....	D20/43
D527,426 S *	8/2006	Mason	.....	D20/43
D561,018 S *	2/2008	Frank	.....	D8/395
D573,657 S *	7/2008	Caterinacci	.....	D20/43
D651,256 S *	12/2011	Garfinkle	.....	D20/43
D670,598 S *	11/2012	Dunn	.....	D11/184

**OTHER PUBLICATIONS**

1 inch Quad-Wire Label Holders; internet website; date last visited Feb. 19, 2013; 2 pages; <http://www.southernimperial.com/2-in-quad-wire-label-holders-display-hook-p-2657.html>.

\* cited by examiner

*Primary Examiner* — Mary Ann Calabrese

(74) *Attorney, Agent, or Firm* — Reinhart Boerner Van Deuren P.C.

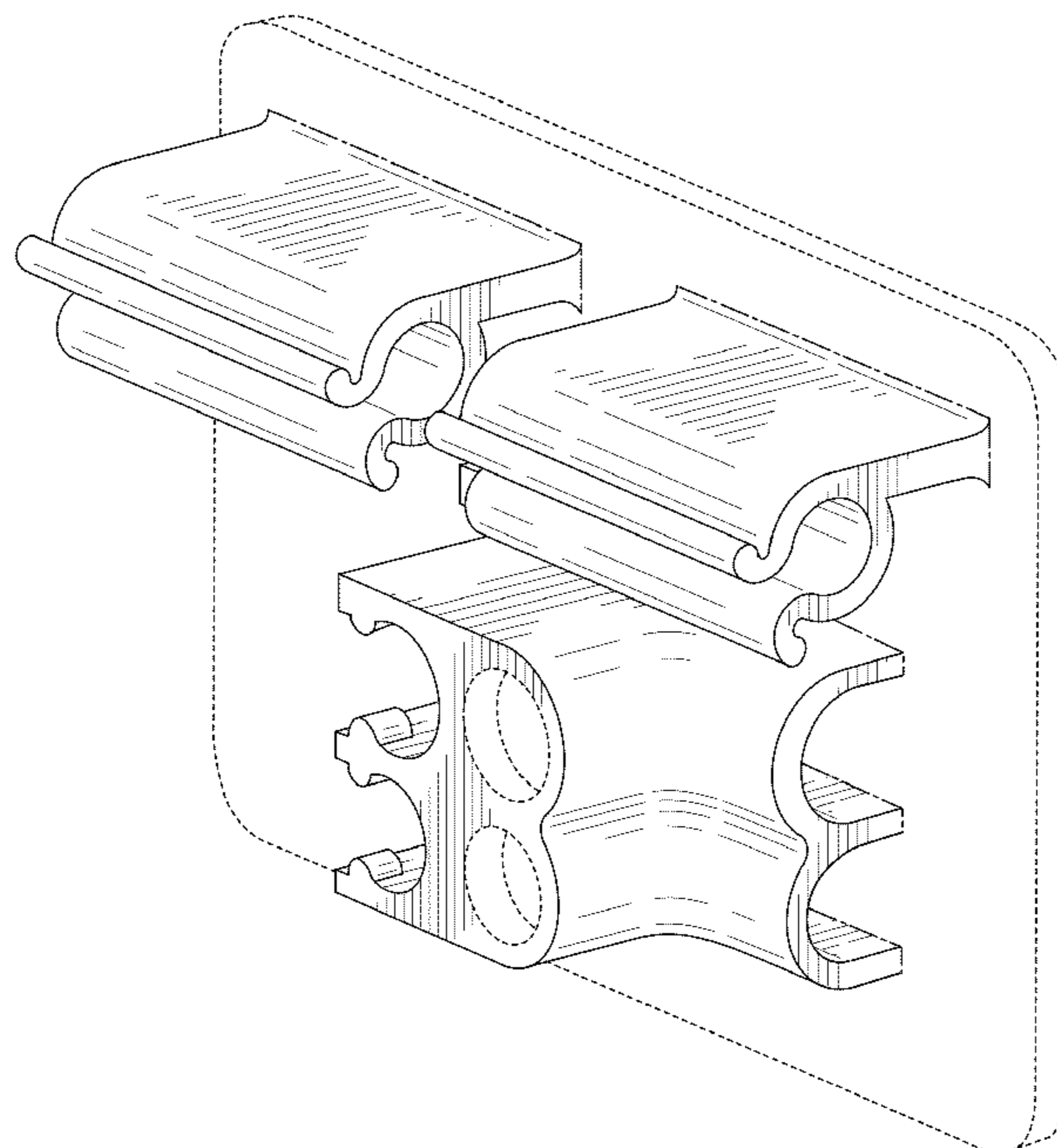
(57) **CLAIM**

I claim the ornamental design for a label holder, as shown and described.

**DESCRIPTION**

FIG. 1 is a front perspective view of the claimed design; FIG. 2 is a first side back perspective view of the claimed design of FIG. 1; FIG. 3 is a second side back perspective view opposite the first side of the claimed design of FIG. 1; FIG. 4 is a back view of the claimed design of FIG. 1; FIG. 5 is a front view of the claimed design of FIG. 1; FIG. 6 is a side view of the claimed design of FIG. 1; FIG. 7 is a side view of the claimed design of FIG. 1 showing the side opposite that shown in FIG. 6; FIG. 8 is a top view of the claimed design of FIG. 1; and, FIG. 9 is a bottom view of the claimed design of FIG. 1. The broken lines shown in the drawings are for illustrative purposes only and form no part of the claimed design. The dot-dash lines in the drawings form a boundary of the claimed design and form no part thereof.

**1 Claim, 9 Drawing Sheets**



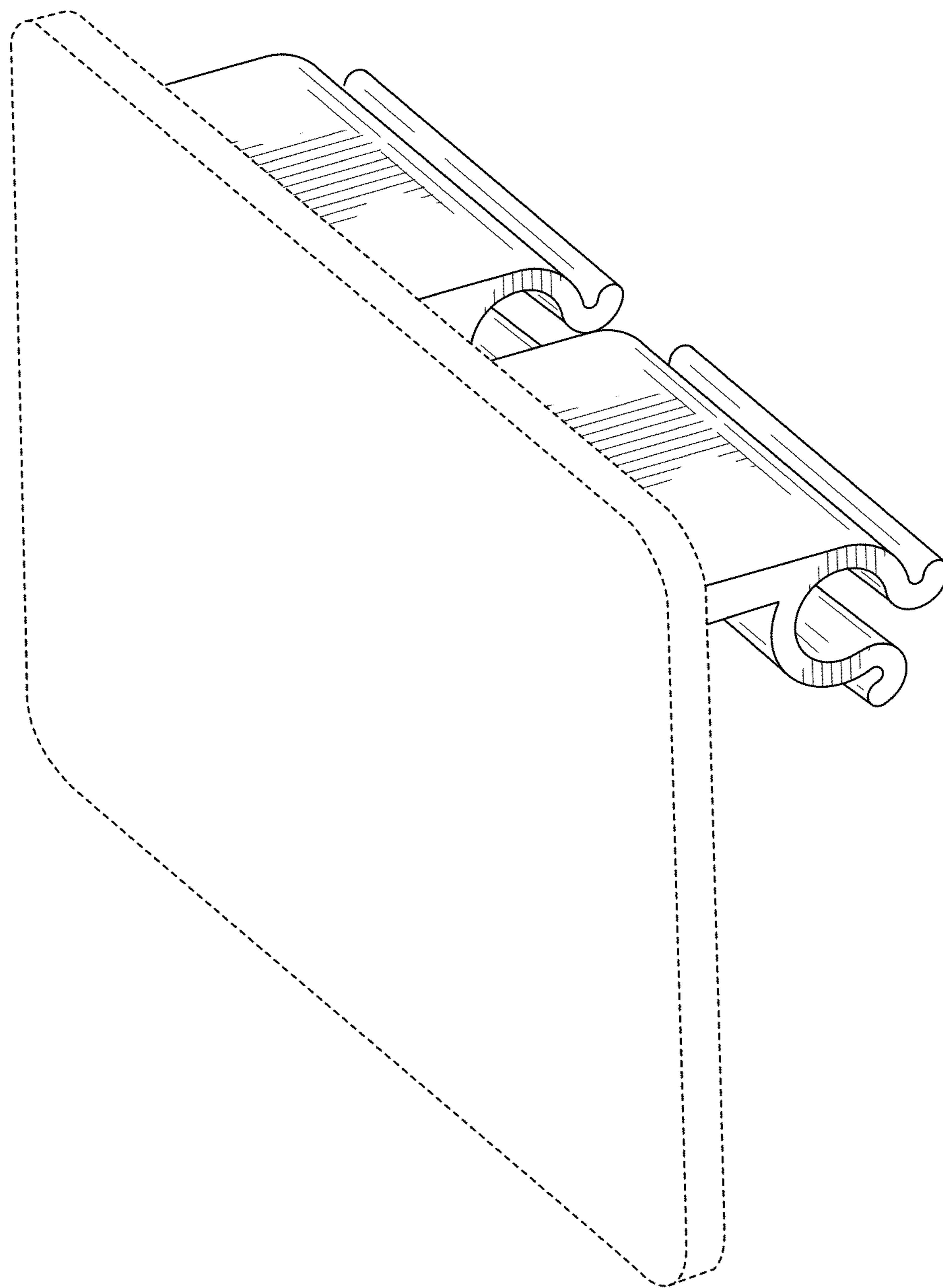


FIG. 1

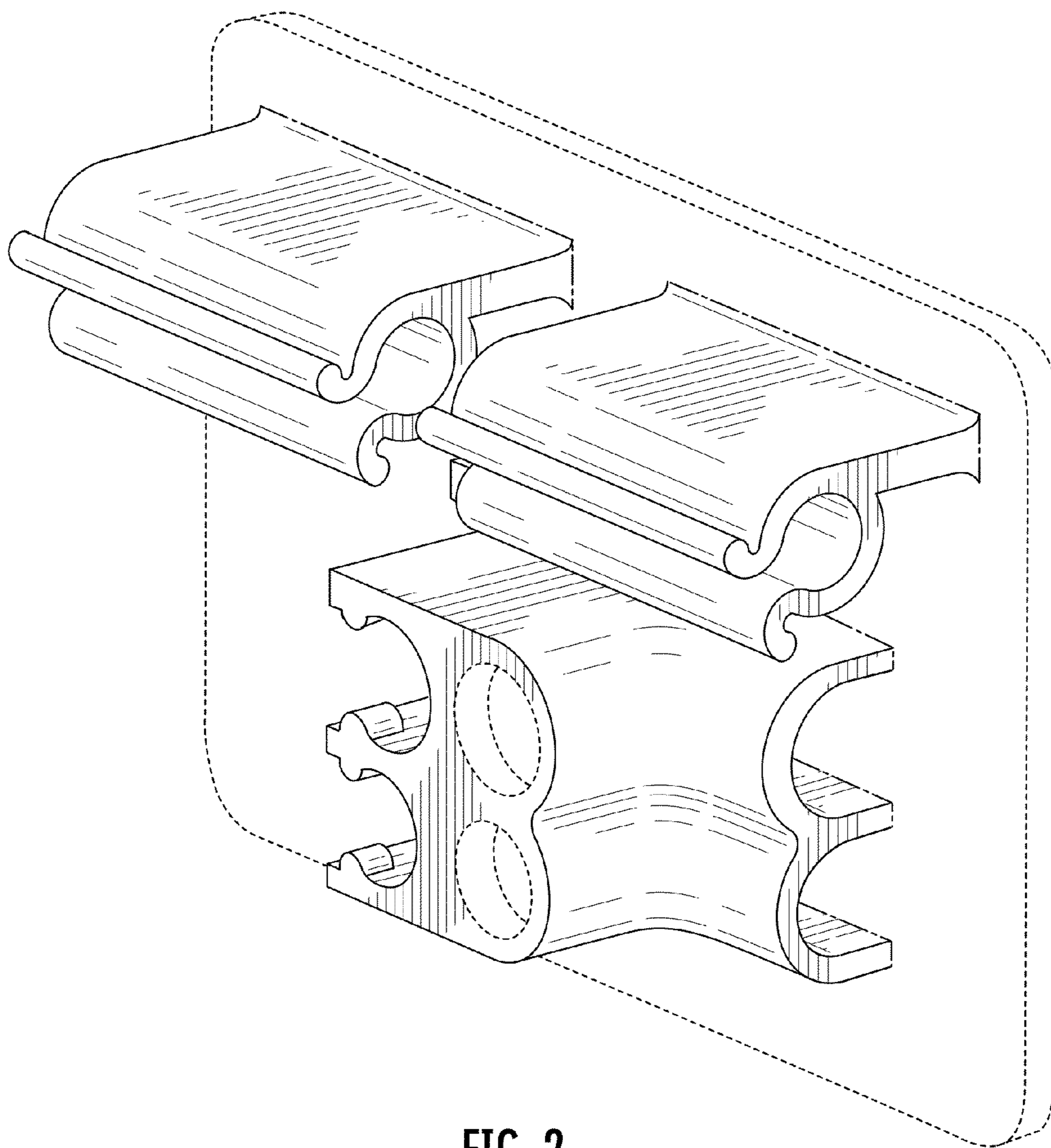


FIG. 2

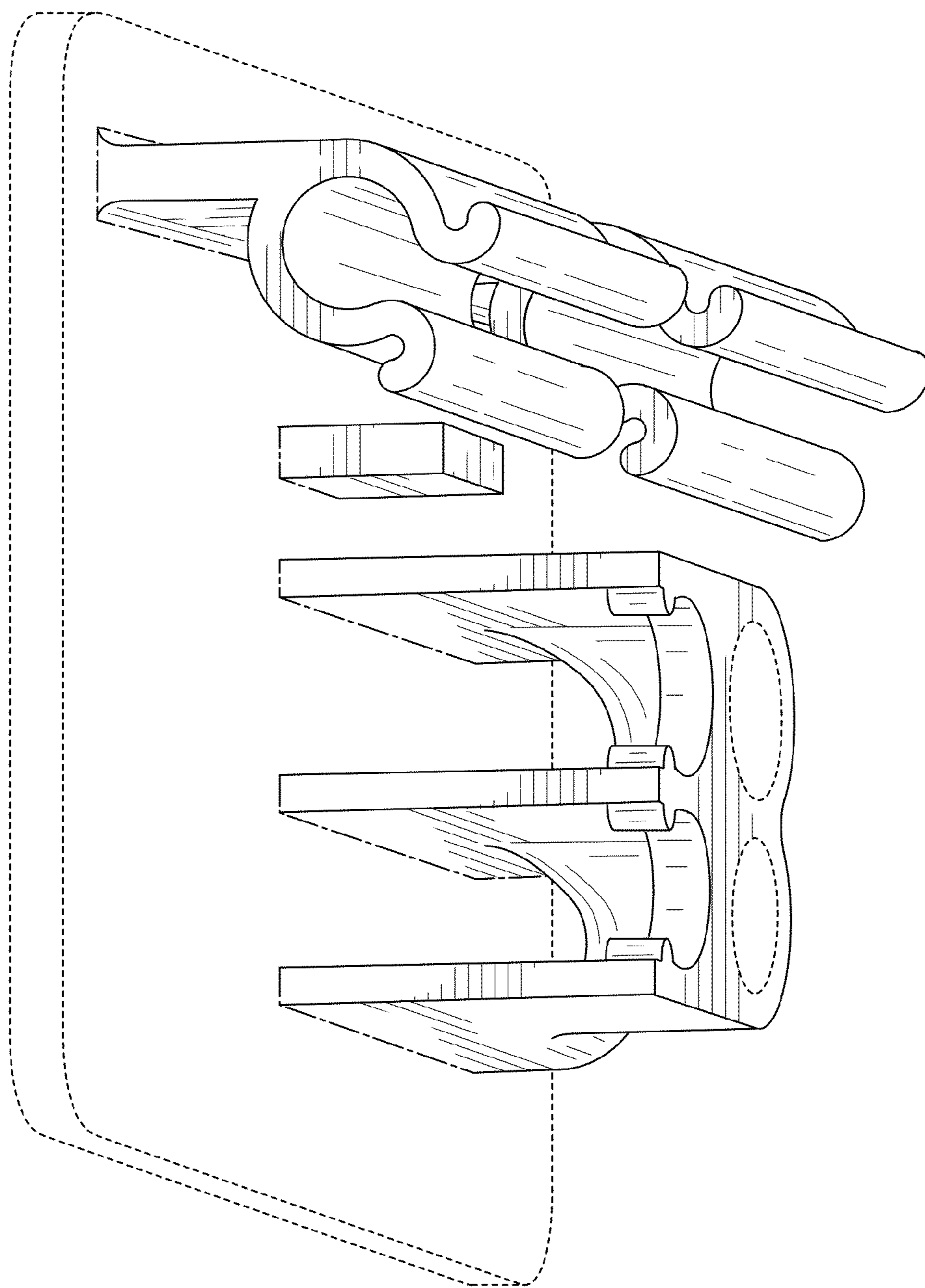


FIG. 3



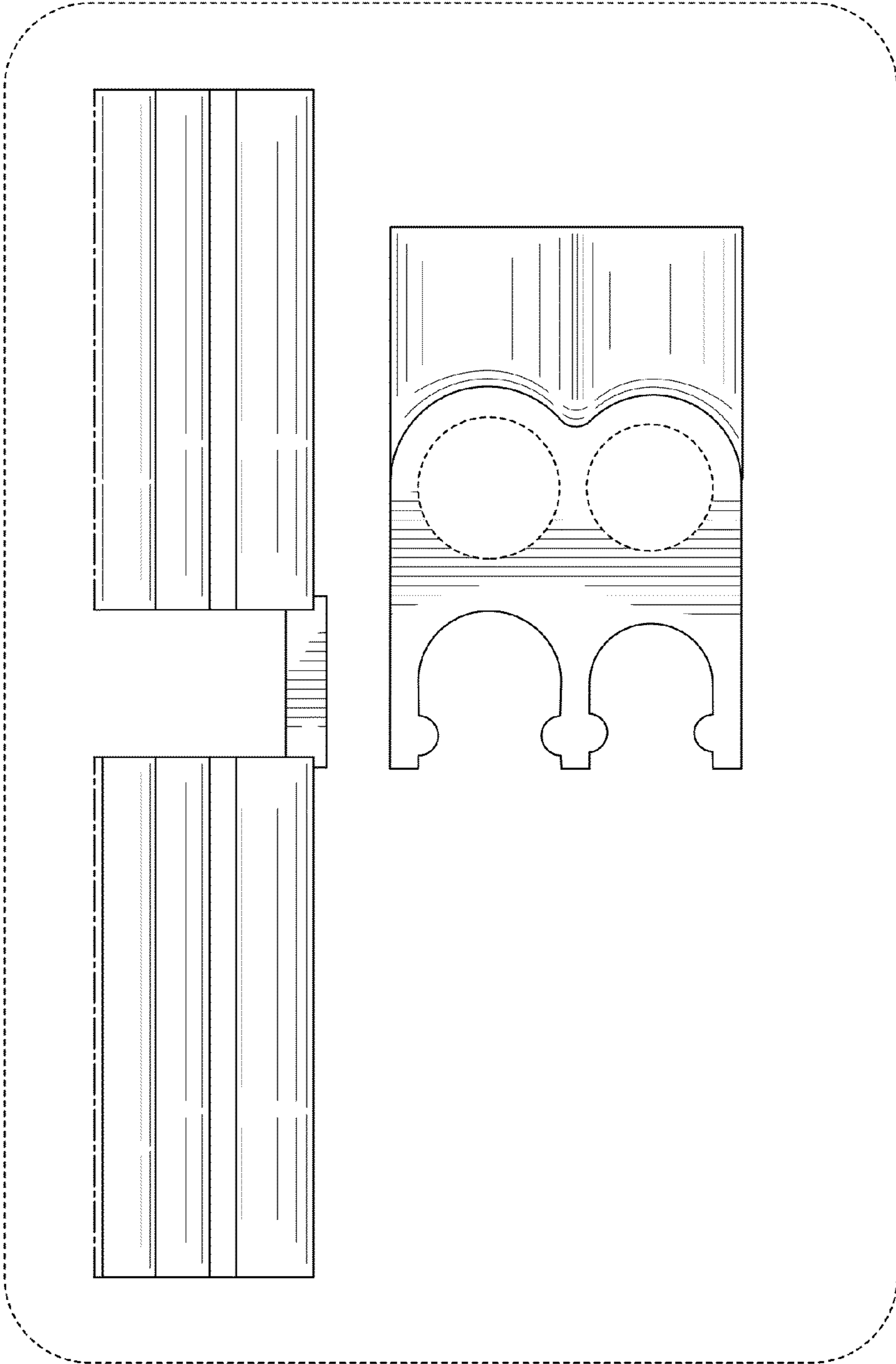


FIG. 4

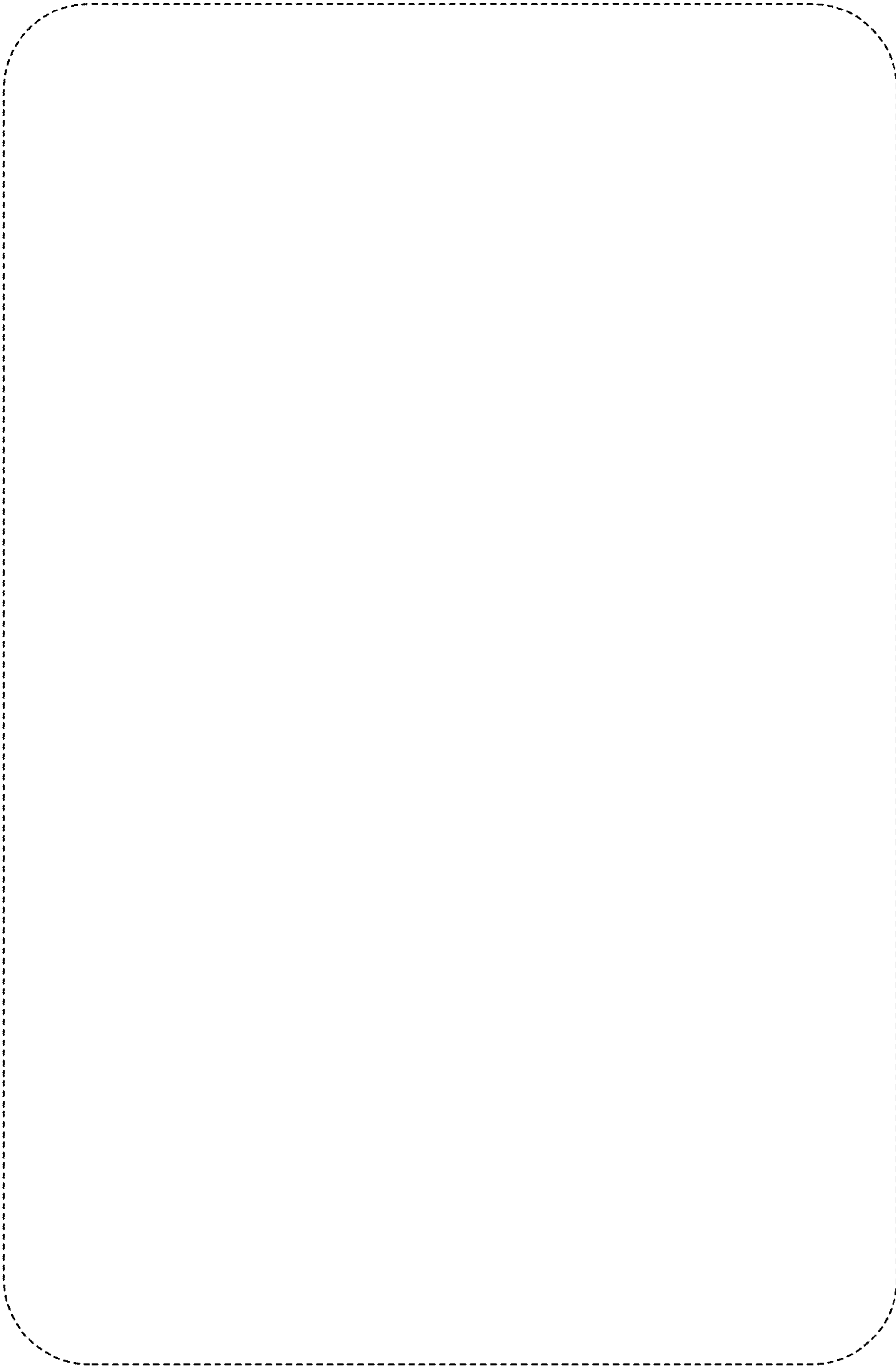


FIG. 5

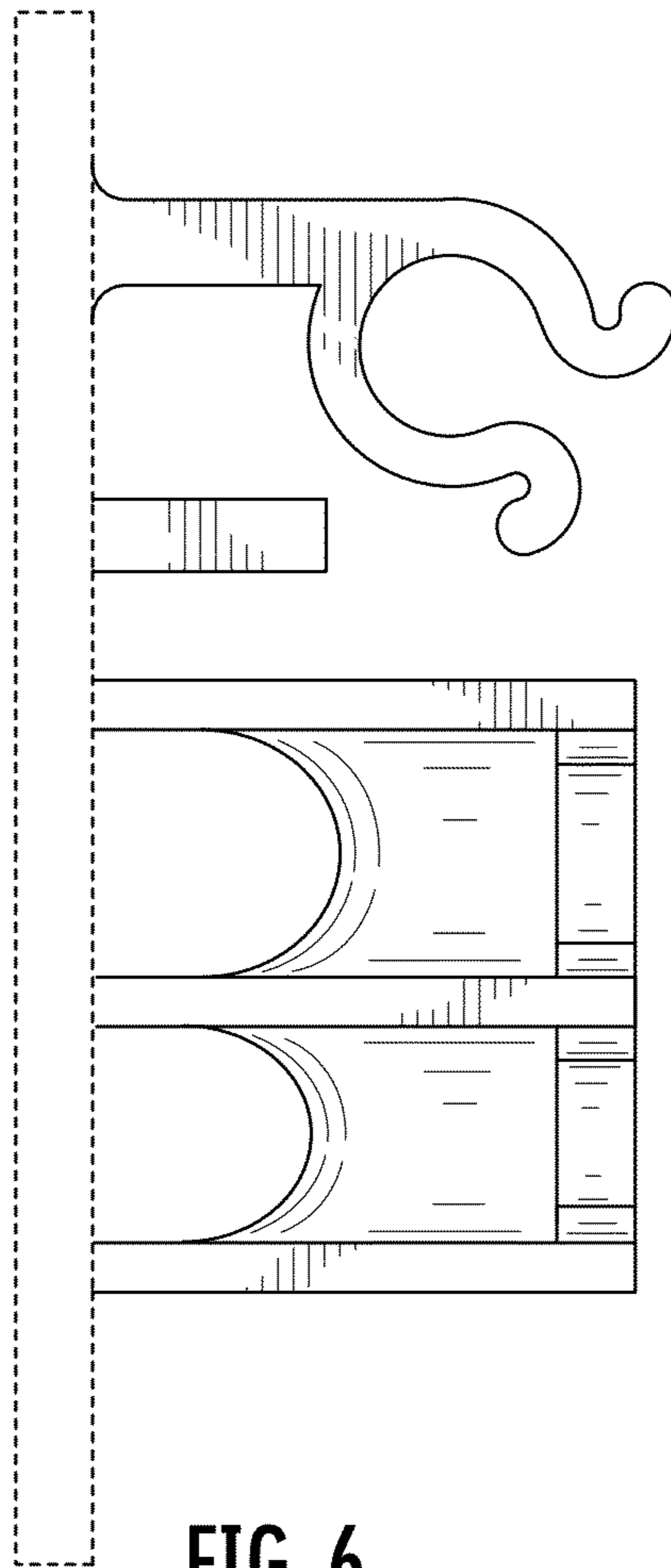


FIG. 6

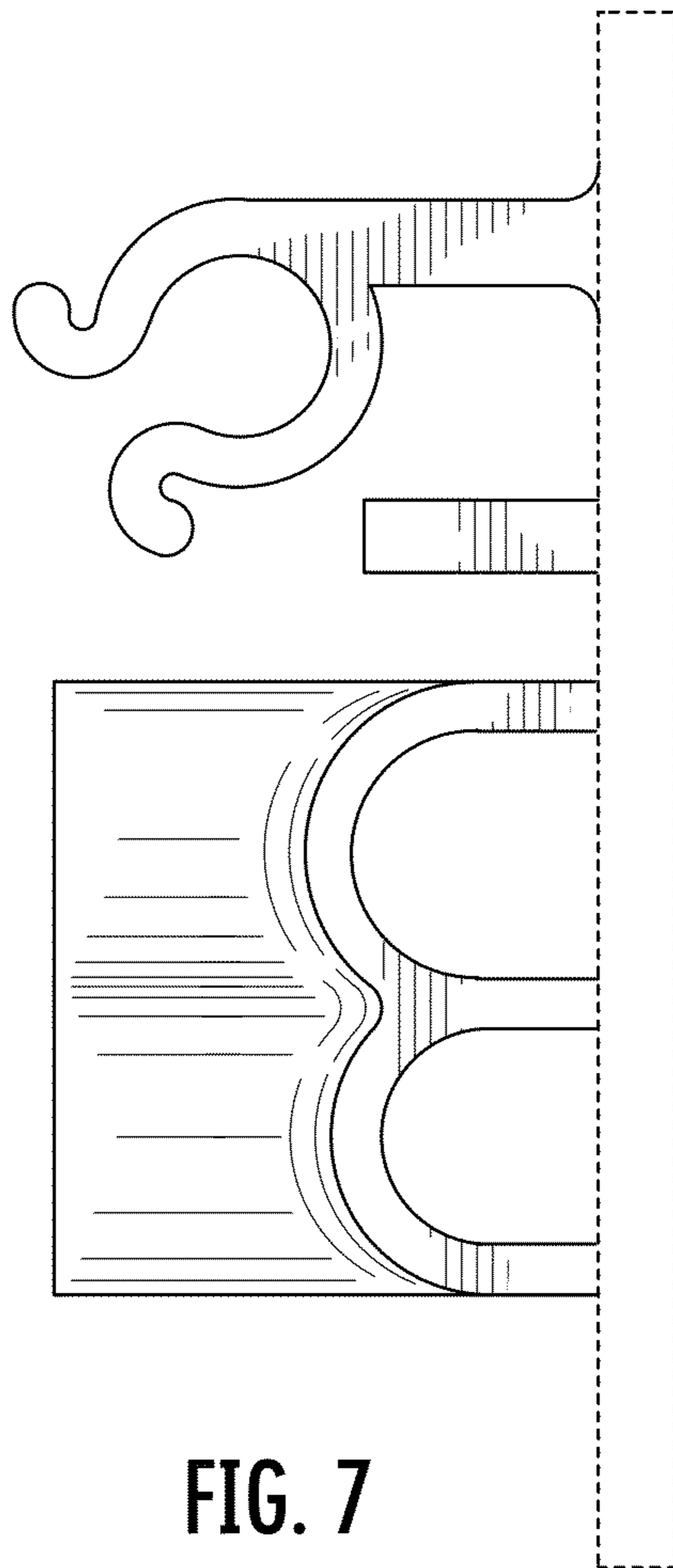


FIG. 7



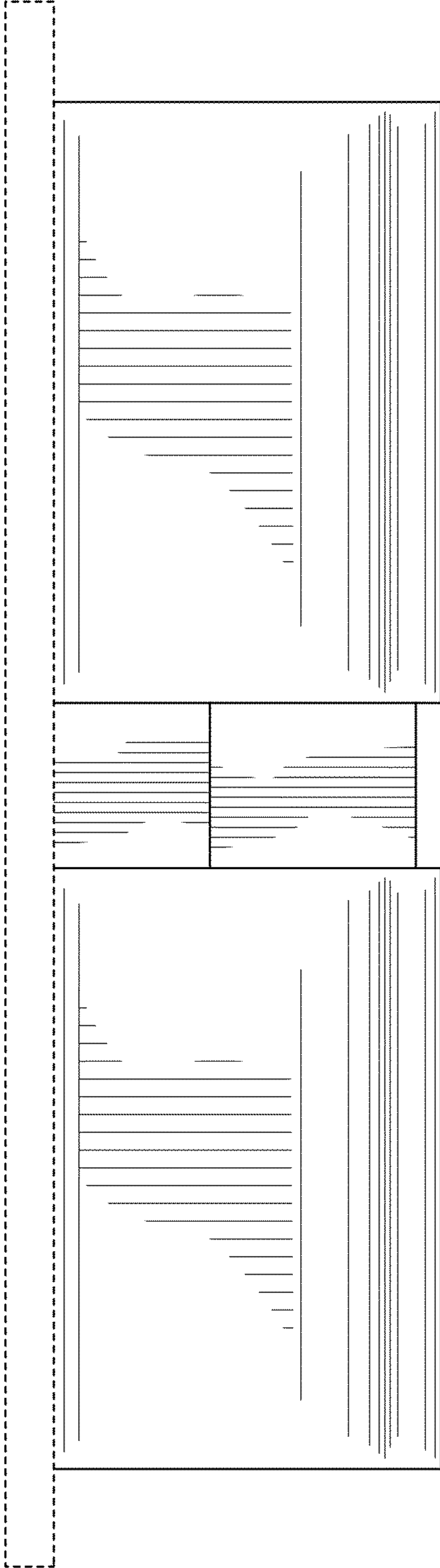


FIG. 8

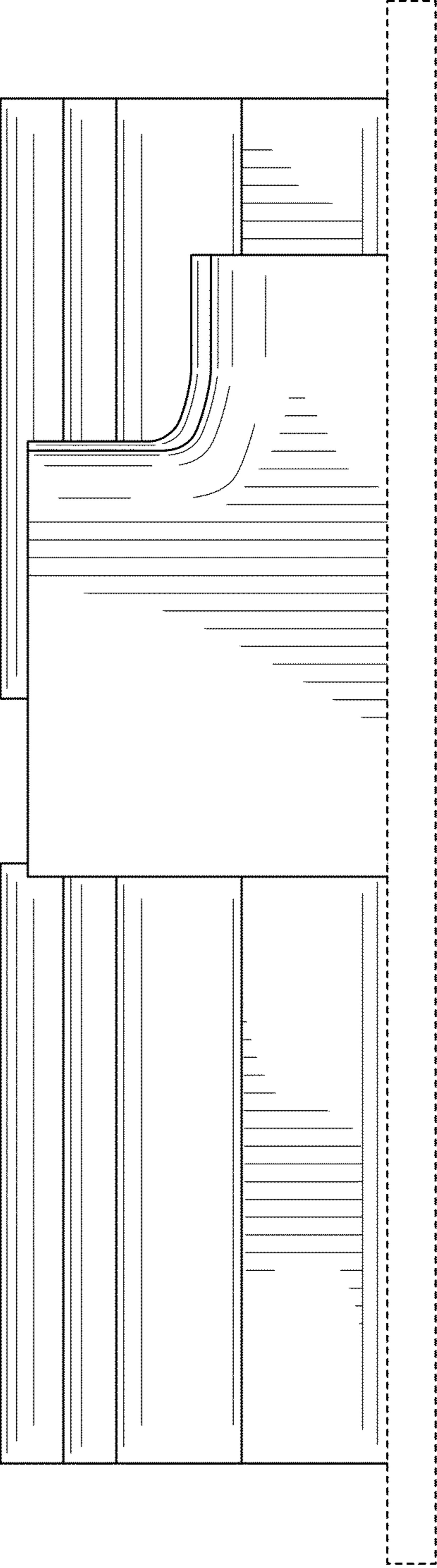


FIG. 9