



US00D692494S

(12) **United States Design Patent**
Bengyak

(10) **Patent No.:** **US D692,494 S**
(45) **Date of Patent:** **** Oct. 29, 2013**

(54) **HAND SIGN**

(76) Inventor: **Christopher Edward Bengyak**, Vero Beach, FL (US)

(**) Term: **14 Years**

(21) Appl. No.: **29/431,080**

(22) Filed: **Sep. 3, 2012**

(51) **LOC (9) Cl.** **20-03**

(52) **U.S. Cl.**
USPC **D20/29; D20/33**

(58) **Field of Classification Search**
USPC D20/10, 19, 29-33, 35-37, 99; 40/446, 40/538, 541, 584, 586; D2/615; D10/109.1, 109.2; D21/400
See application file for complete search history.

(56) **References Cited**

U.S. PATENT DOCUMENTS

D144,710 S *	5/1946	Gosling	D20/33
D339,609 S *	9/1993	Martin et al.	D20/29
D365,910 S *	1/1996	King	D99/43
D429,285 S *	8/2000	Schini	D20/32
D617,526 S *	6/2010	Bengyak	D2/615
D649,598 S *	11/2011	Bengyak	D20/33
D661,743 S *	6/2012	Bengyak	D20/29
D662,142 S *	6/2012	Bengyak	D20/29
D662,143 S *	6/2012	Bengyak	D20/29
D662,551 S *	6/2012	Bengyak	D20/29
D666,677 S *	9/2012	Bengyak	D20/29
D673,221 S *	12/2012	Bengyak	D20/29
D673,222 S *	12/2012	Bengyak	D20/29

OTHER PUBLICATIONS

Promotional foam tomahawk, 15"—promopeddler.com <http://www.promopeddler.com/product/foam-tomahawk-15-9525855.htm> pulled from the web Jun. 8, 2011.*

Promotional spirit worx—tomahawk—foam cheering novelty waver—promopeddler.com <http://www.promopeddler.com/product/>

spirit-worx-tomahawk-9425885.htm pulled from the web Jun. 8, 2011.*

* cited by examiner

Primary Examiner — Mary Ann Calabrese

(57) **CLAIM**

The ornamental design for a hand sign, as shown and described.

DESCRIPTION

Related application: U.S. patent application Ser. No. 29/374,994, entitled Hand Sign, filing date Nov. 5, 2011, filed by Christopher Edward Bengyak.

FIG. 1 is a right-side elevational view of a first embodiment of a left-hand hand sign according to the invention;

FIG. 2 is a left-side elevational view of the left-hand hand sign of FIG. 1;

FIG. 3 is a rear elevational view of the left-hand hand sign of FIG. 1;

FIG. 4 is a front elevational view of the left-hand hand sign of FIG. 1;

FIG. 5 is a top view of the left-hand hand sign of FIG. 1;

FIG. 6 is a bottom view of the left-hand hand sign of FIG. 1;

FIG. 7 is a perspective view from below the rear of the left side of the left-hand hand sign of FIG. 2;

FIG. 8 is a left-side elevational view of a second embodiment of a right-hand hand sign according to the invention;

FIG. 9 is a right-side elevational view of the right-hand hand sign of FIG. 8;

FIG. 10 is a front elevational view of the right-hand hand sign of FIG. 8;

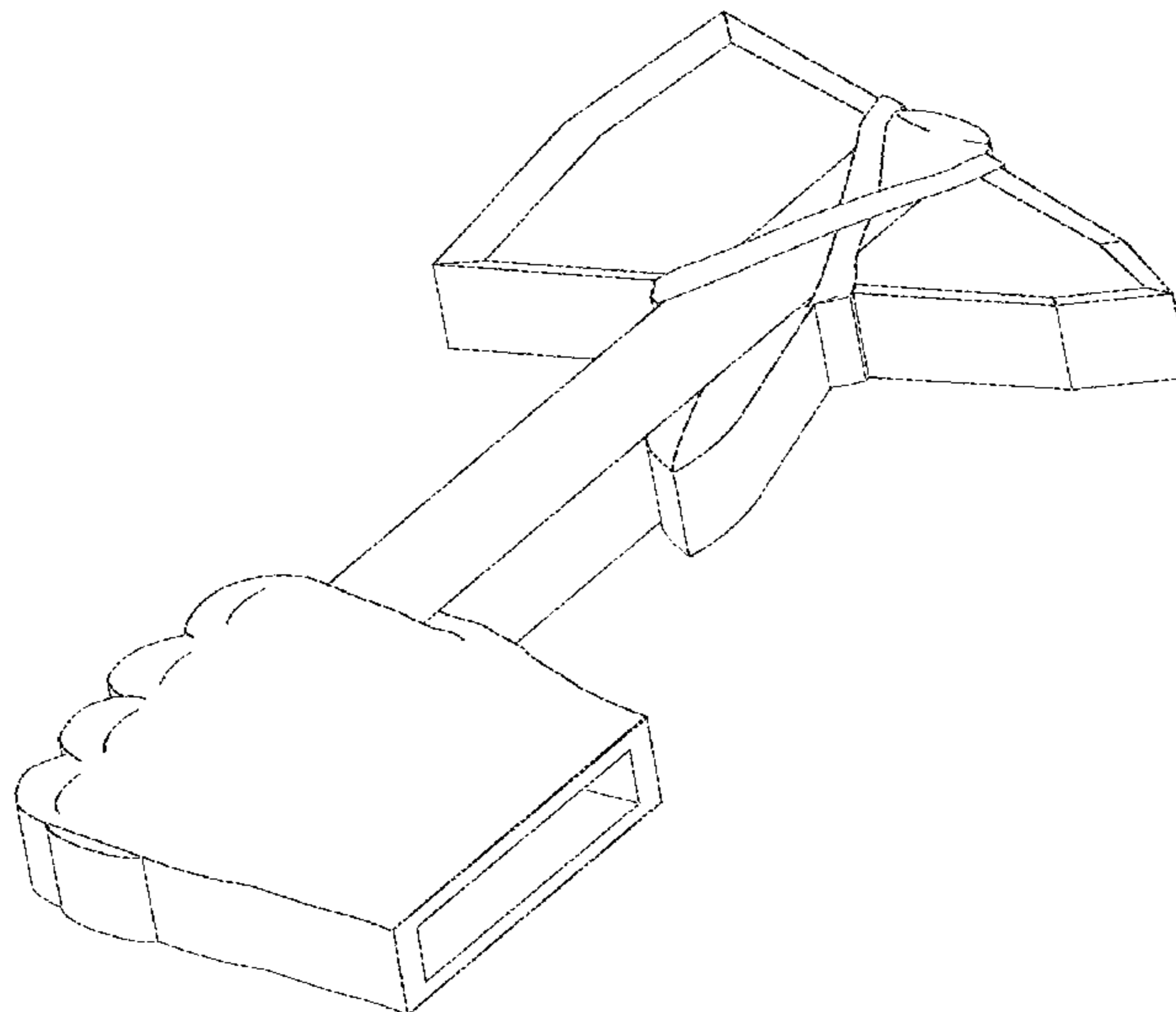
FIG. 11 is a rear elevational view of the right-hand hand sign of FIG. 8;

FIG. 12 is a top view of the right-hand hand sign of FIG. 8;

FIG. 13 is a bottom view of the right-hand hand sign of FIG. 8; and,

FIG. 14 is a perspective view from below the rear of the right side of the right-hand hand sign of FIG. 9.

1 Claim, 10 Drawing Sheets



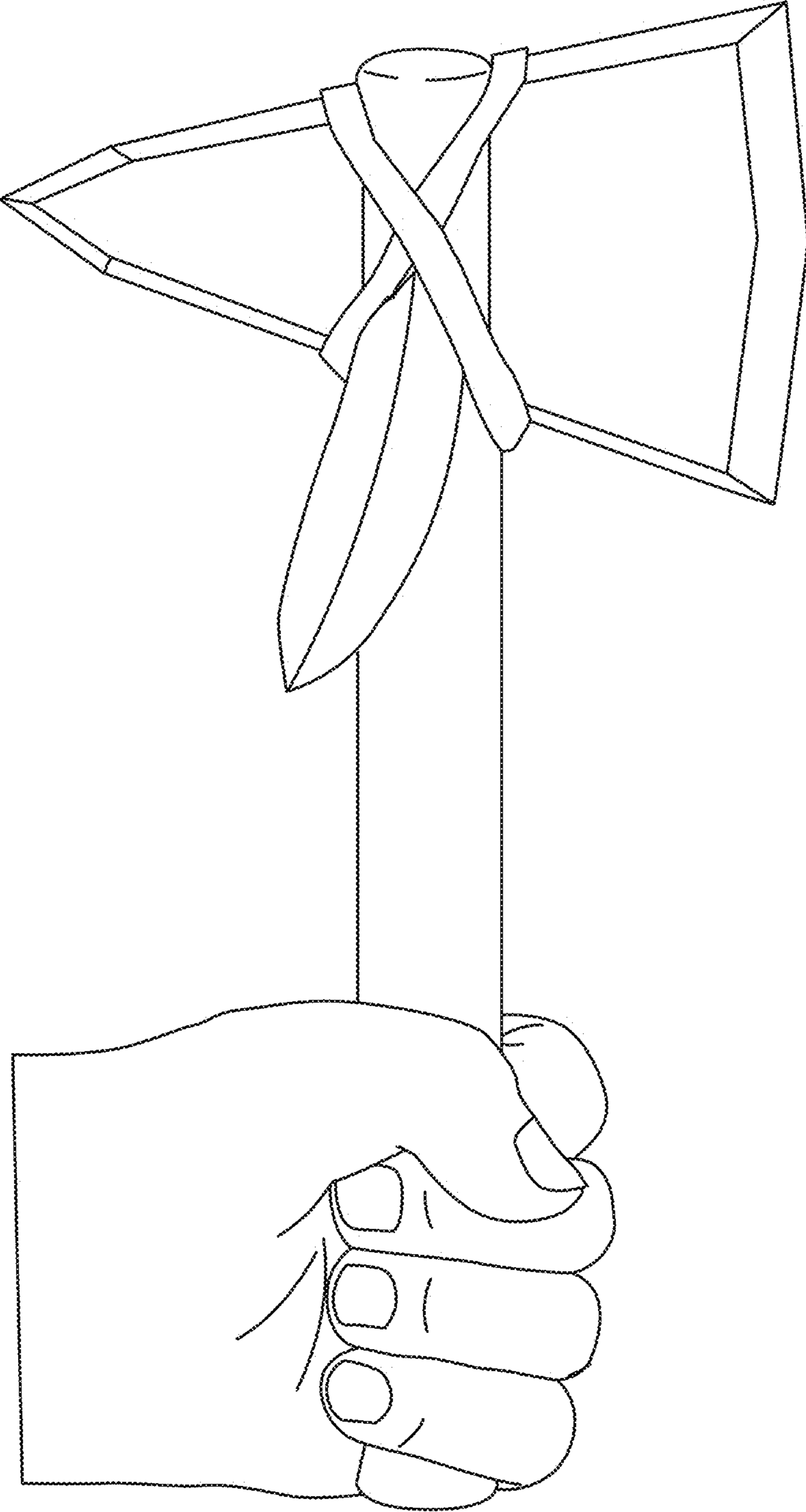


FIG. 1

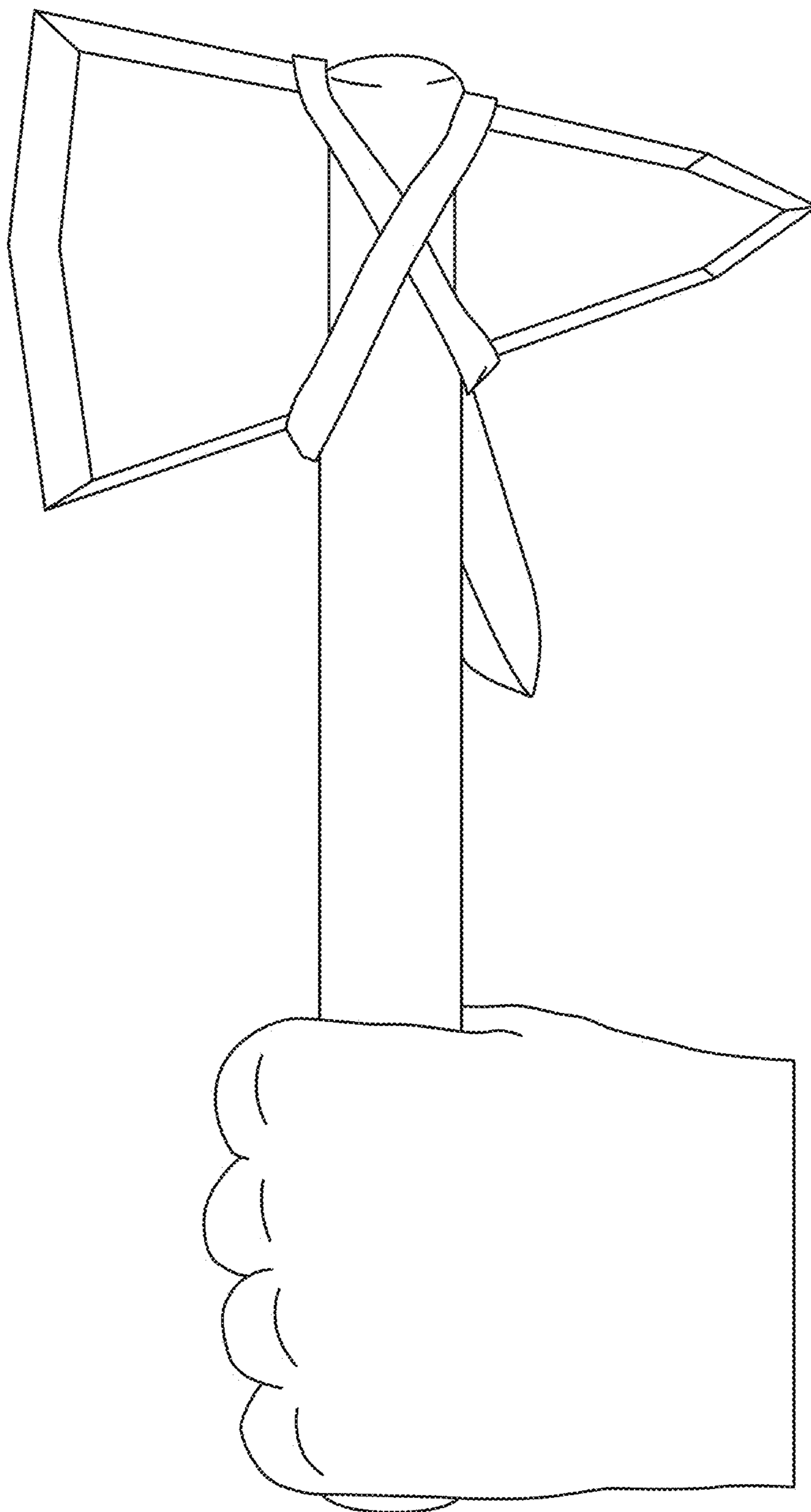


FIG. 2



FIG. 3

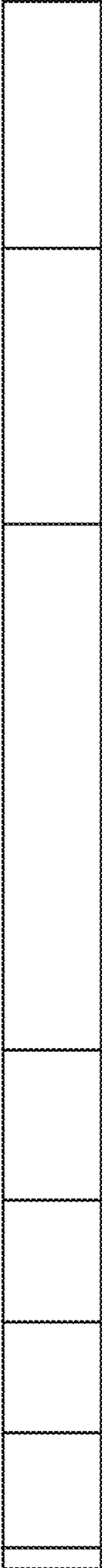


FIG. 4

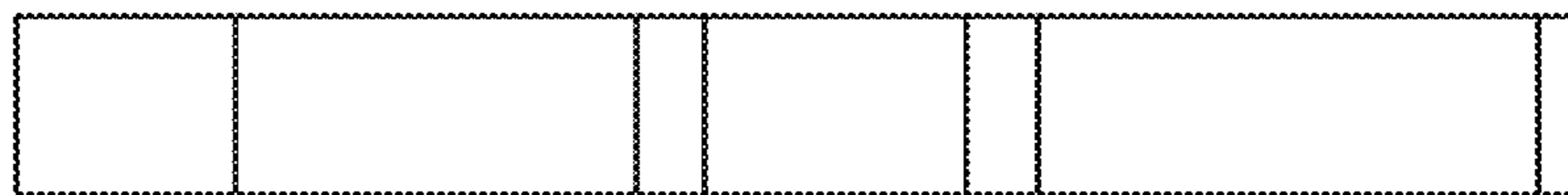


FIG. 5



FIG. 6

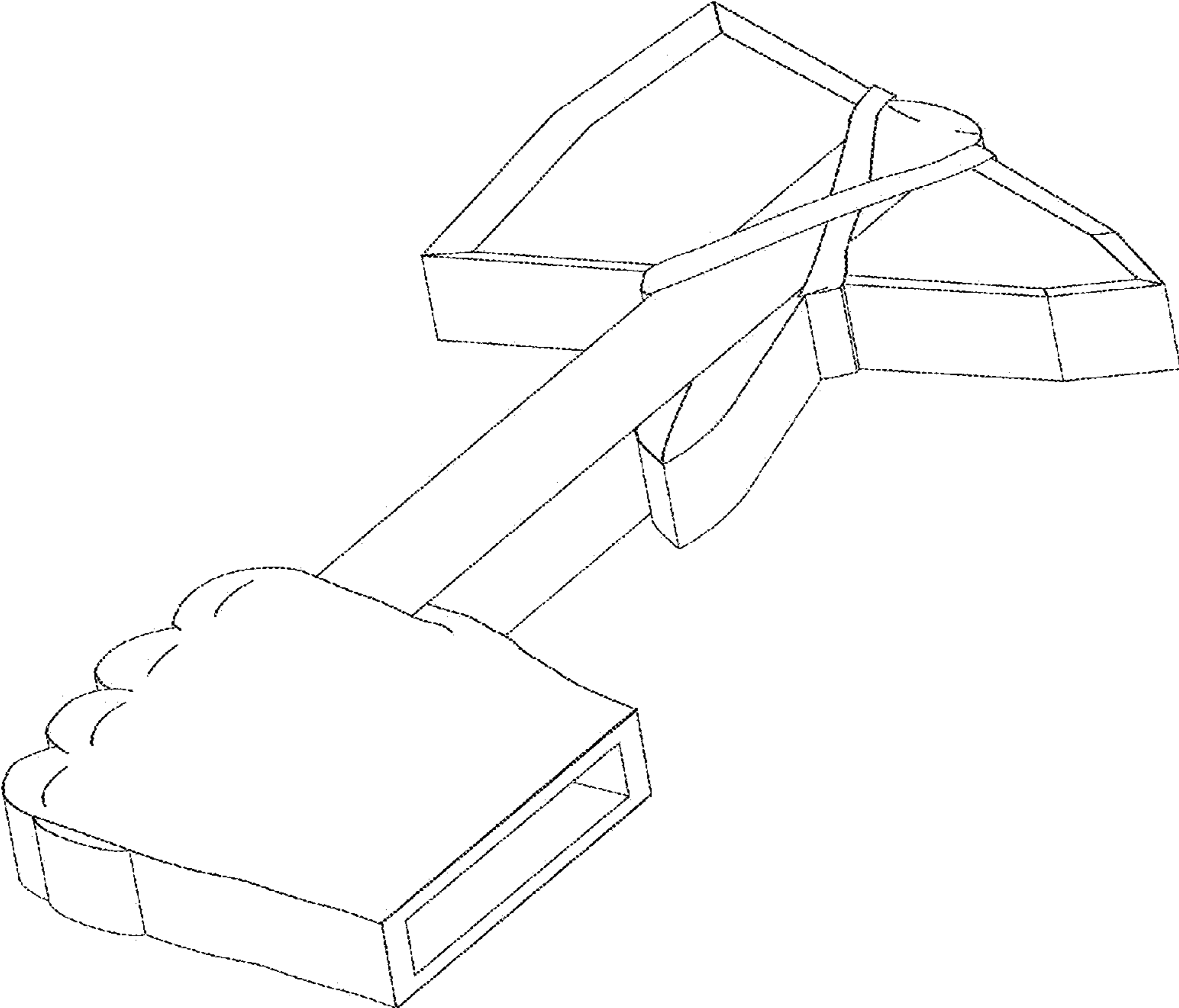


FIG. 7

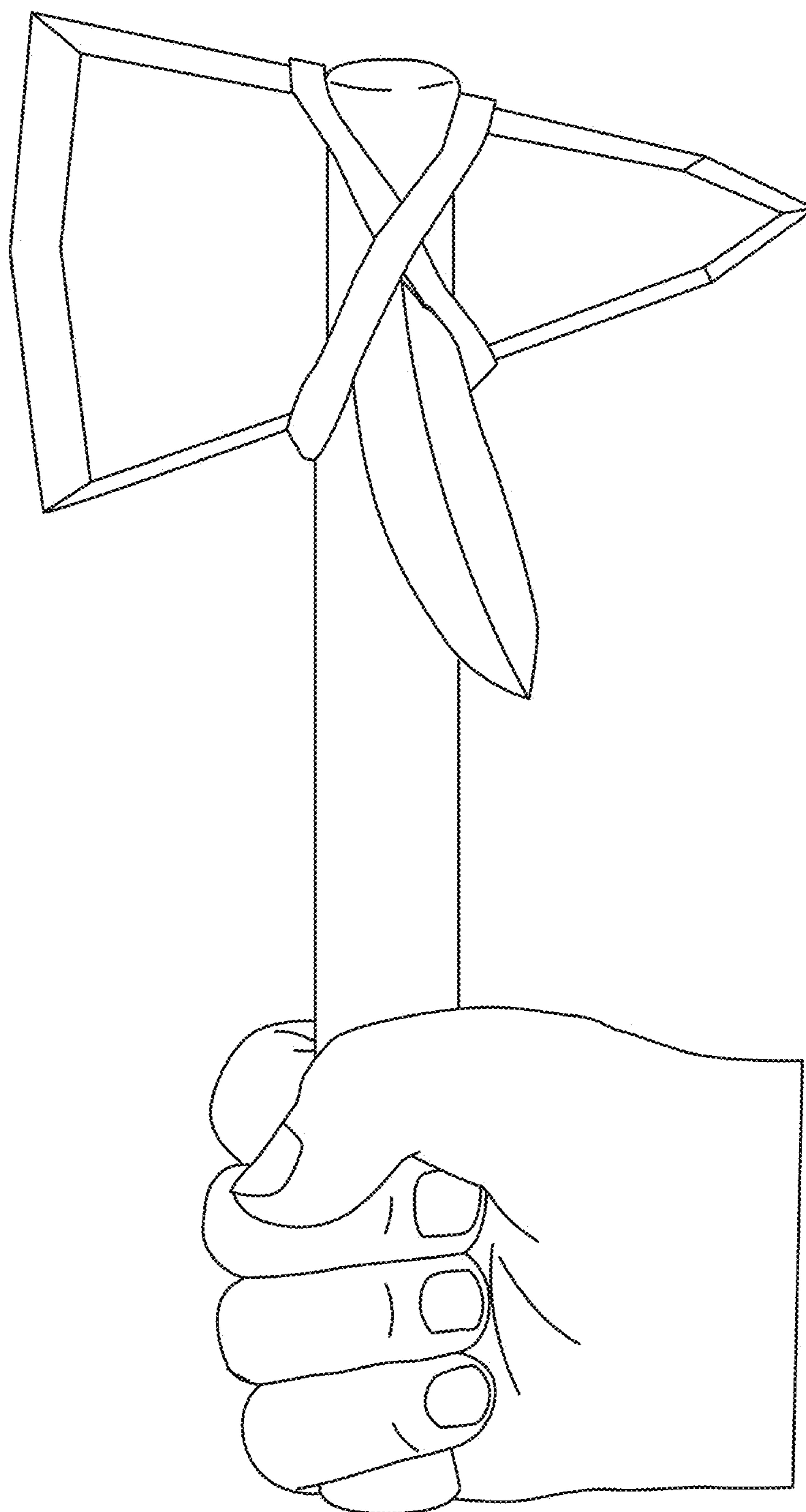


FIG. 8

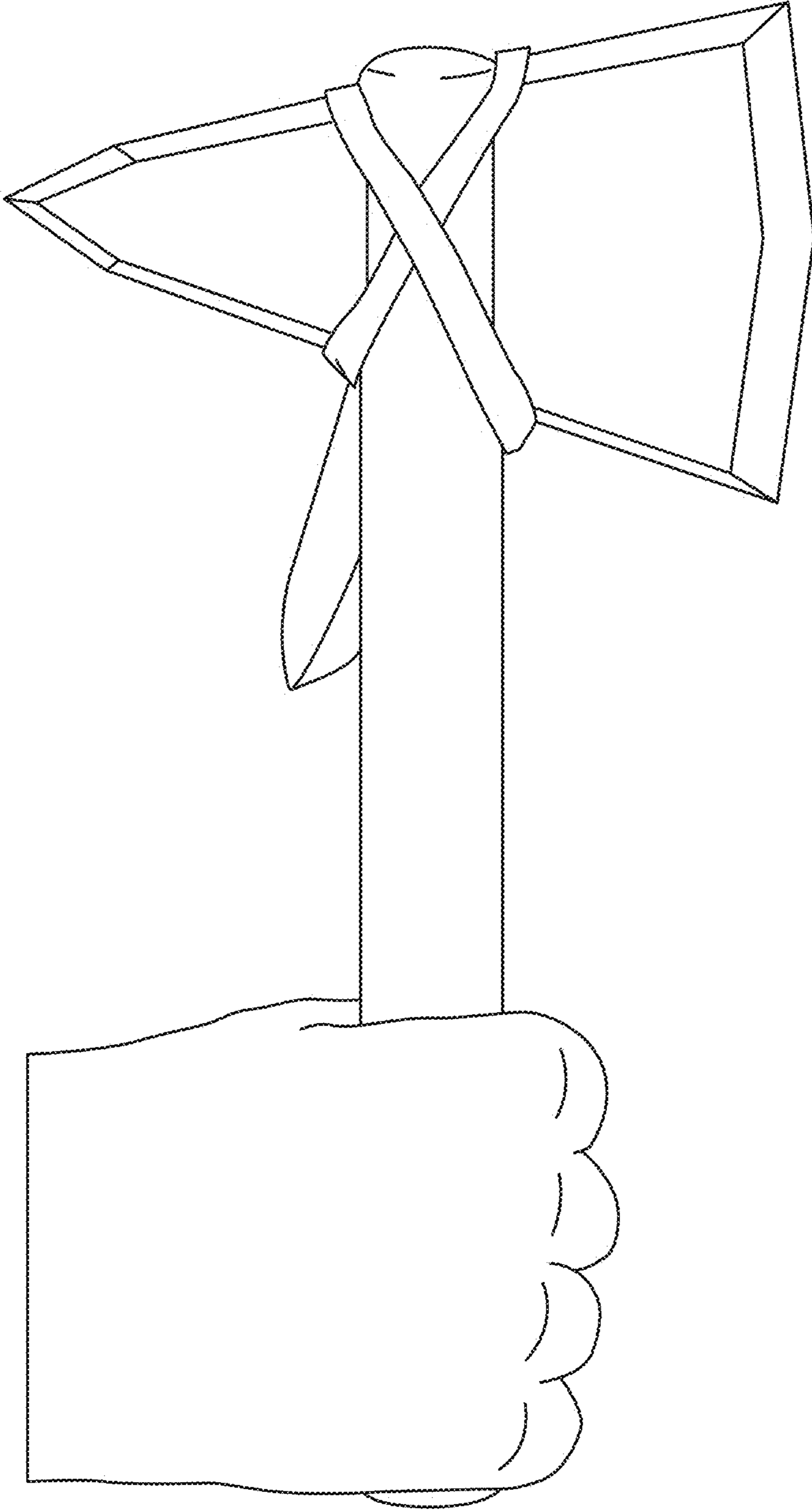


FIG. 9

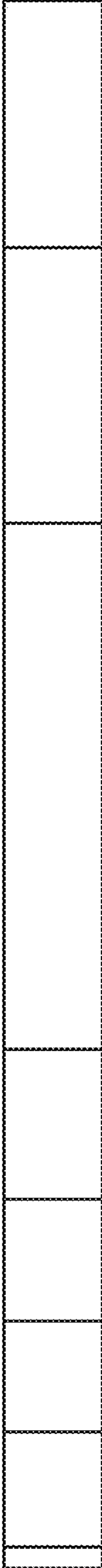


FIG. 10



FIG. 11



FIG. 12



FIG. 13

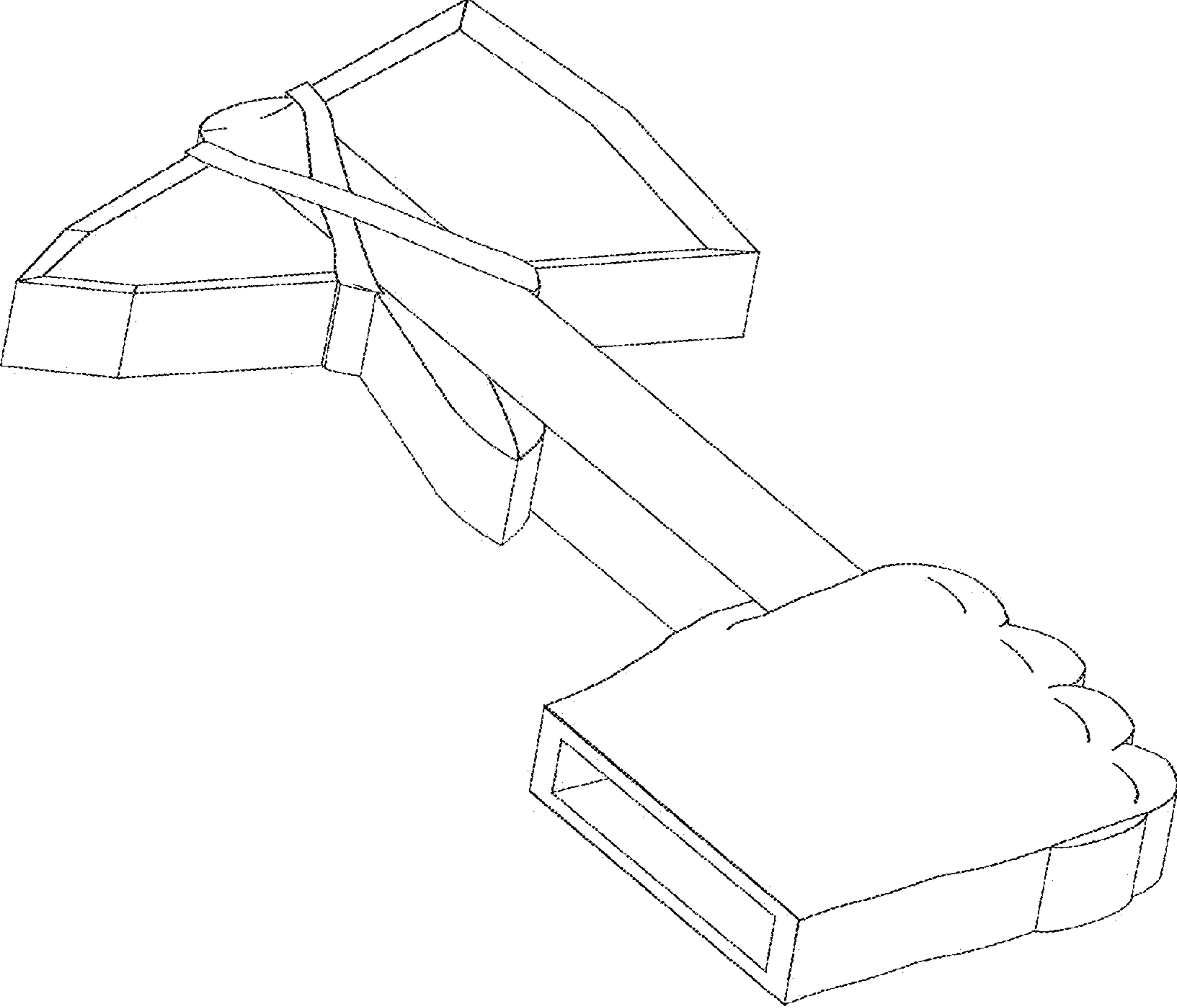


FIG. 14