



US00D692490S

(12) **United States Design Patent**
Hwung

(10) **Patent No.:** **US D692,490 S**

(45) **Date of Patent:** **** Oct. 29, 2013**

(54) **CLIPBOARD WITH STORAGE CONTAINER**

D353,399 S * 12/1994 Dodge D19/88
D379,477 S * 5/1997 Shamoon D19/88
5,887,902 A * 3/1999 Irwin et al. 281/45
D657,560 S * 4/2012 Schulz D3/274

(71) Applicant: **Timothy Hwung**, Palo Alto, CA (US)

(72) Inventor: **Timothy Hwung**, Palo Alto, CA (US)

* cited by examiner

(**) Term: **14 Years**

Primary Examiner — Elizabeth Albert

(21) Appl. No.: **29/442,536**

(74) *Attorney, Agent, or Firm* — James A. Gavney, Jr.; JAG Patent Services

(22) Filed: **Mar. 18, 2013**

(51) **LOC (9) Cl.** **19-02**

(52) **U.S. Cl.**
USPC **D19/88**

(58) **Field of Classification Search**

USPC D3/273, 276, 282, 900; D7/698;
D19/52, 88; 24/67 R; 40/341; 248/477,
248/452; 281/45

See application file for complete search history.

(57) **CLAIM**

I claim the ornamental design for the clipboard with storage container, as shown and described.

DESCRIPTION

FIG. 1 is a perspective view of a clipboard with storage container showing my new design; FIG. 2 is a top plan view thereof; FIG. 3 is a bottom plan view thereof; FIG. 4 is a right side elevation view thereof; FIG. 5 is a left side elevation view thereof; FIG. 6 is a front elevation view thereof; and, FIG. 7 is a rear elevation view thereof.

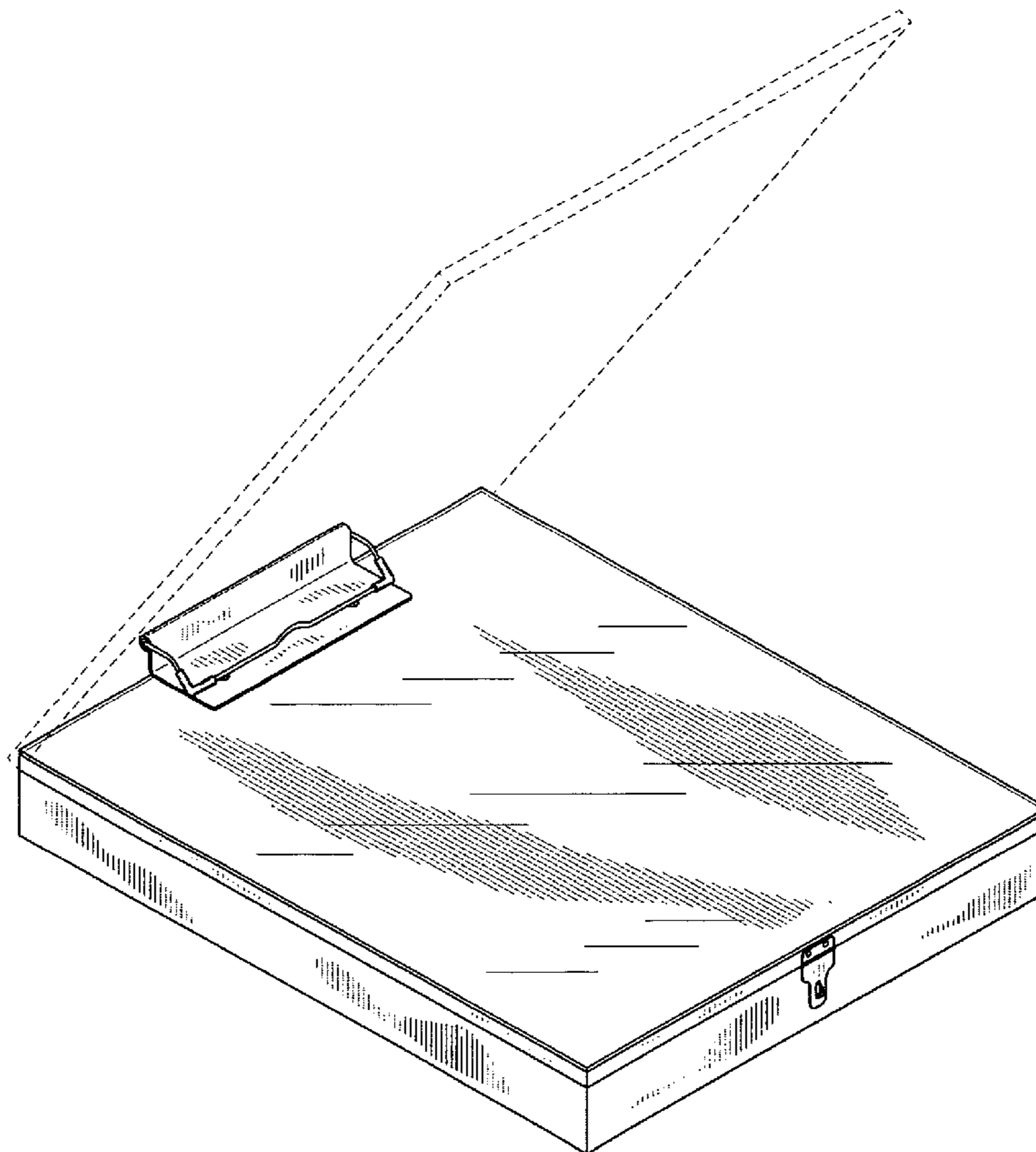
The broken lines in FIG. 1 are included for the purpose of showing a portion of the clipboard that forms no part of the claimed design.

(56) **References Cited**

U.S. PATENT DOCUMENTS

3,177,991 A * 4/1965 Walker 190/11
D210,263 S * 2/1968 Rapoport D3/292
3,977,744 A * 8/1976 DeWitt 312/231
D261,903 S * 11/1981 Mulder D19/88
5,046,760 A * 9/1991 Krepp 281/45
D341,487 S * 11/1993 Glos, II D3/284

1 Claim, 3 Drawing Sheets



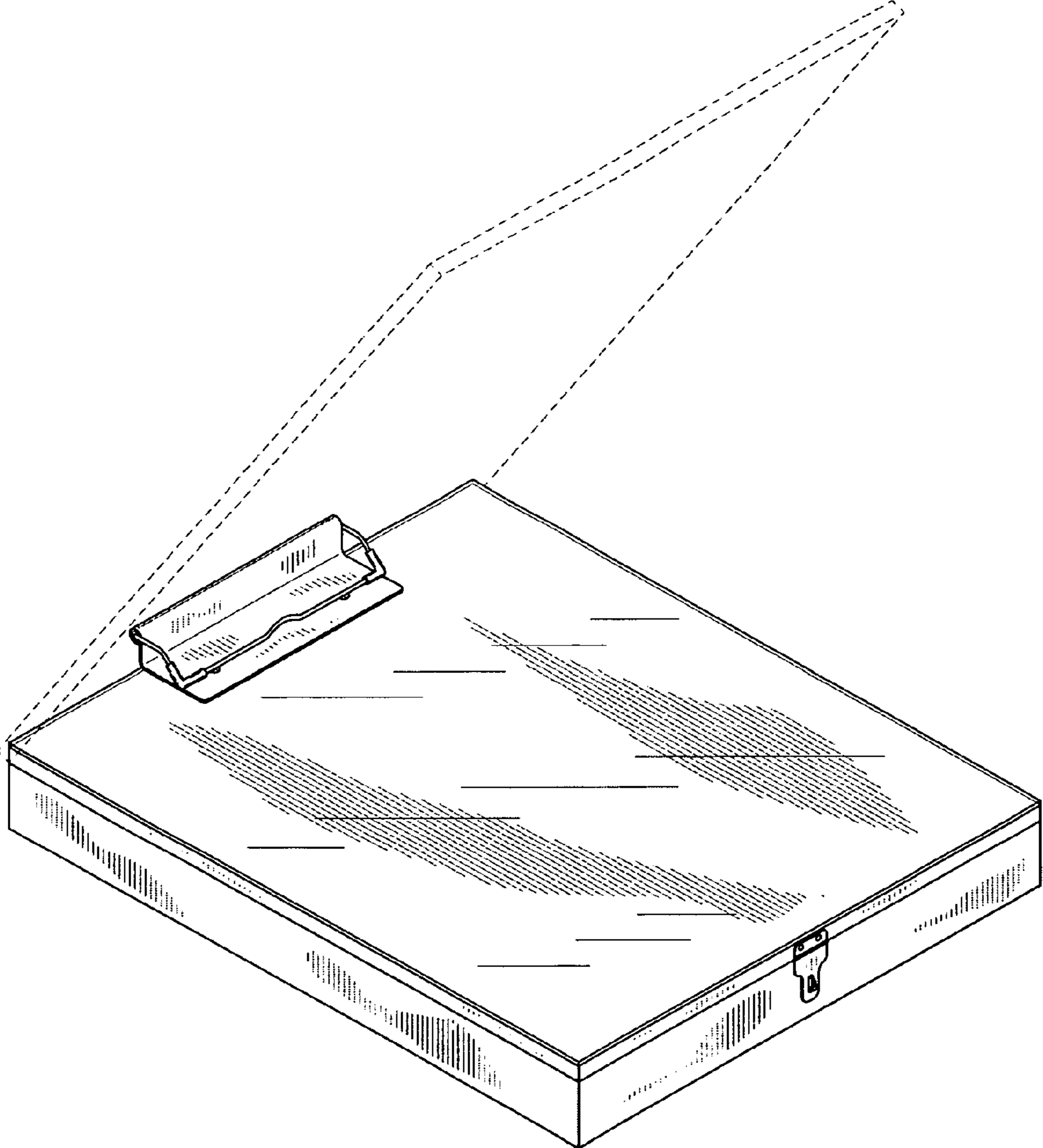


FIG. 1

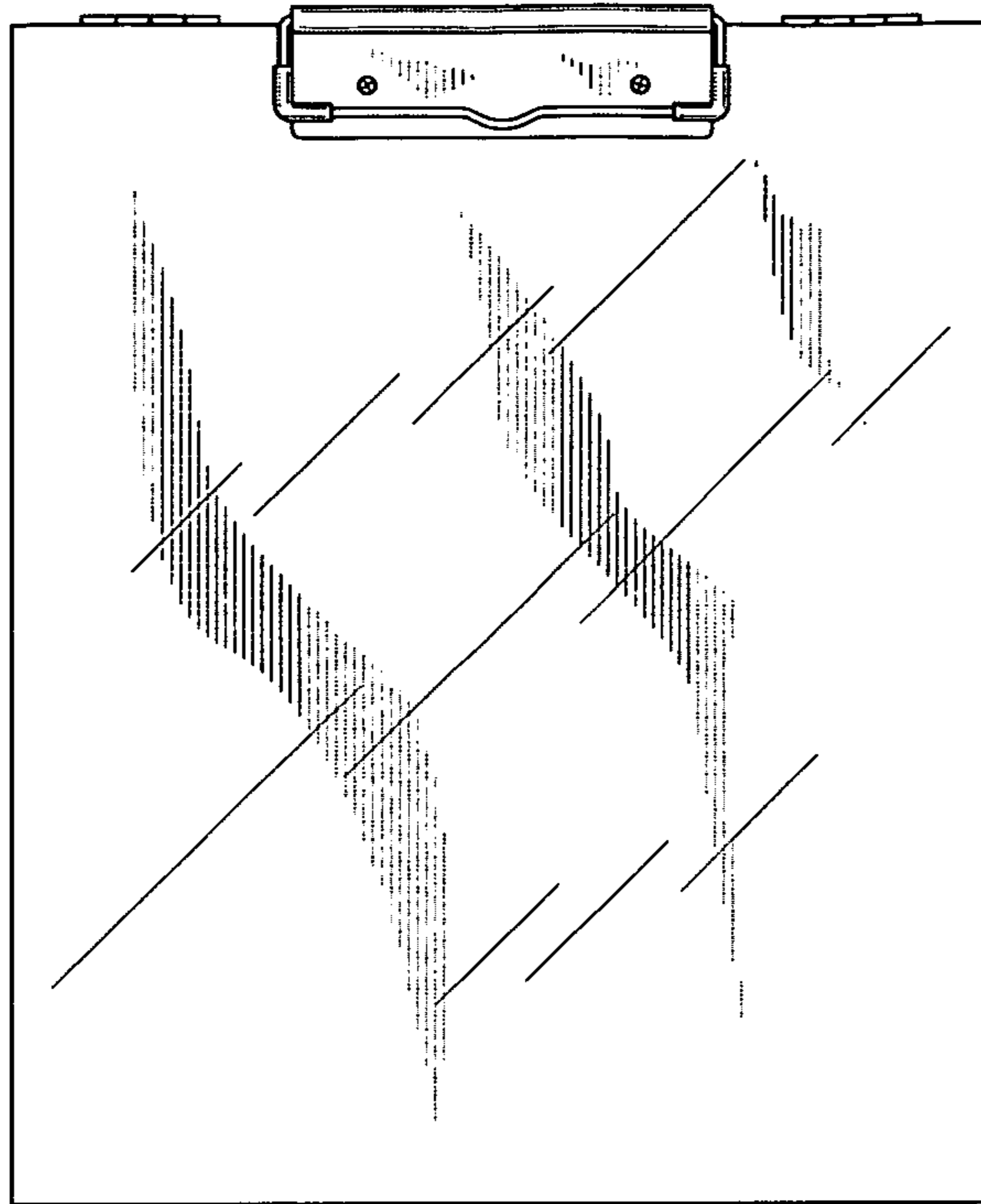


FIG. 2

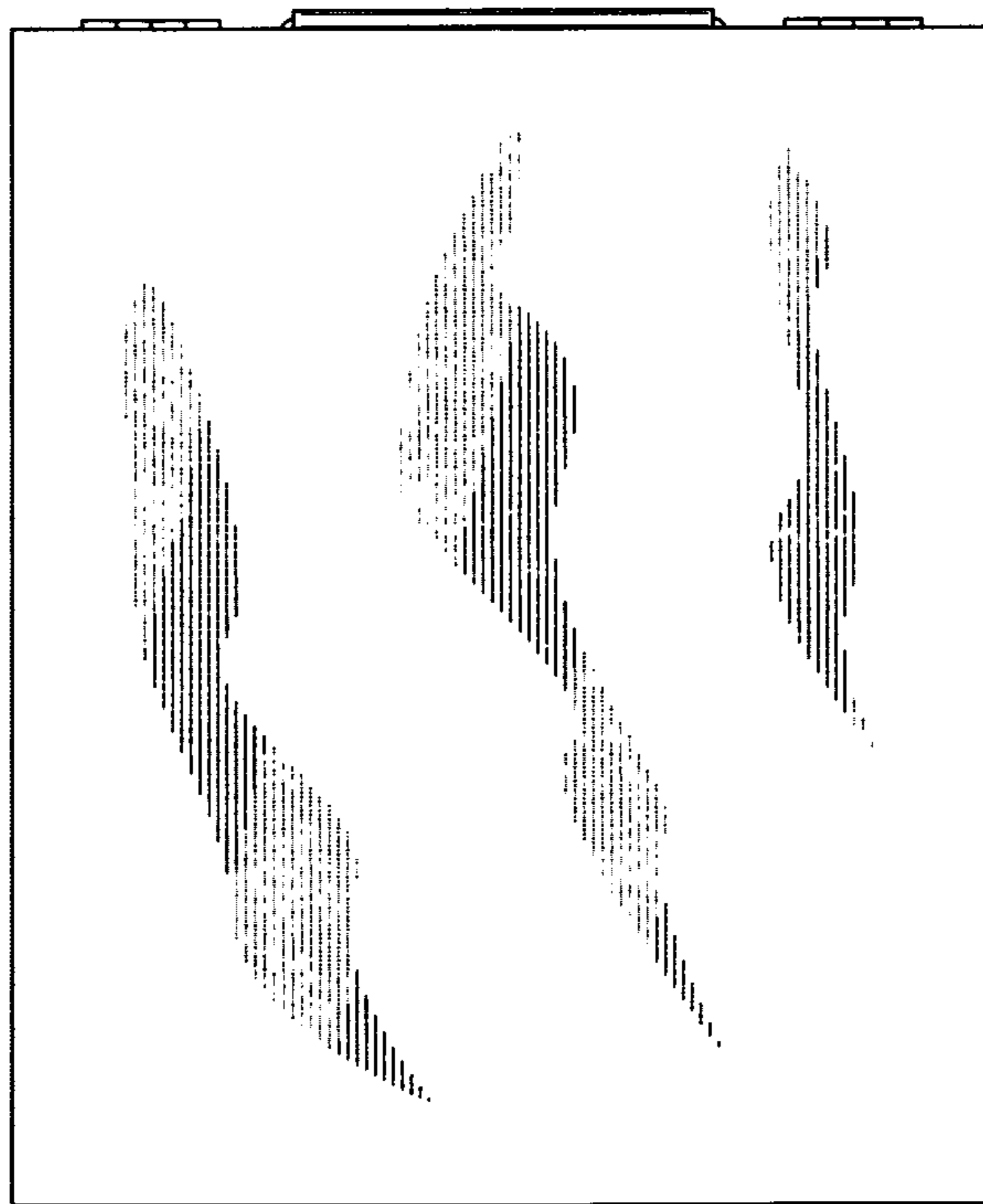


FIG. 3

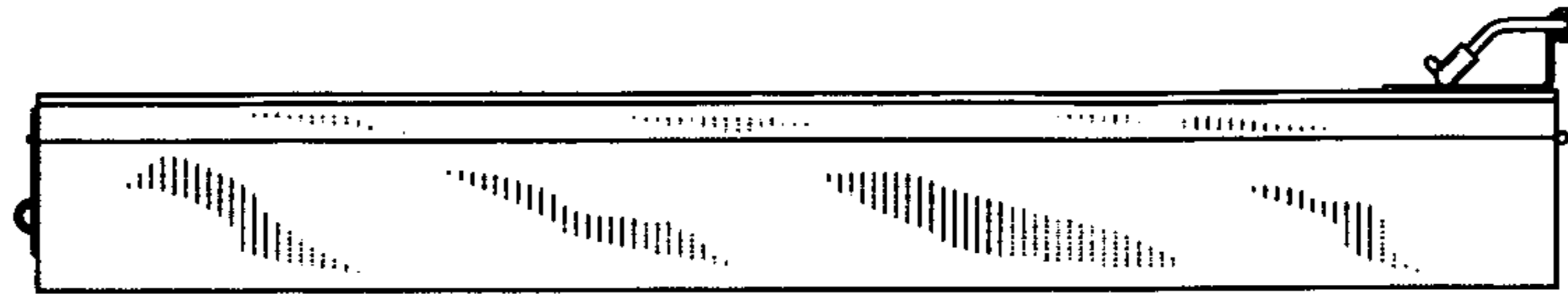


FIG. 4

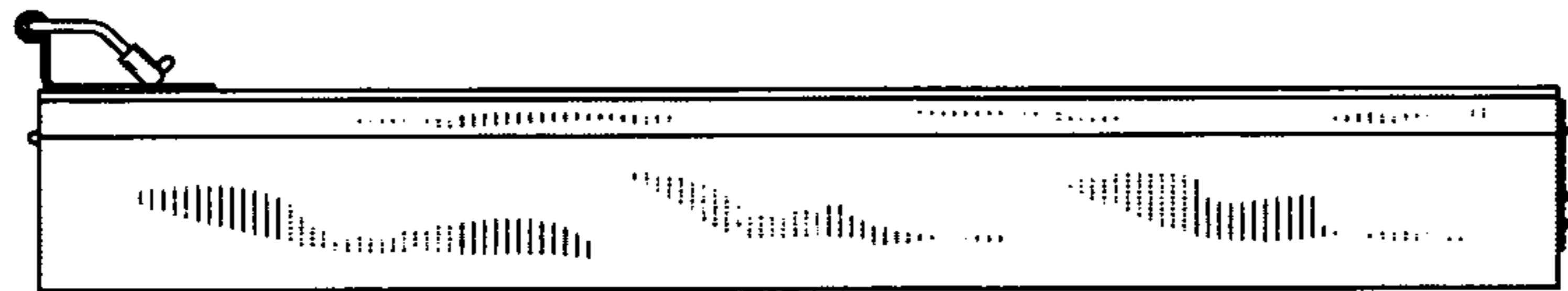


FIG. 5

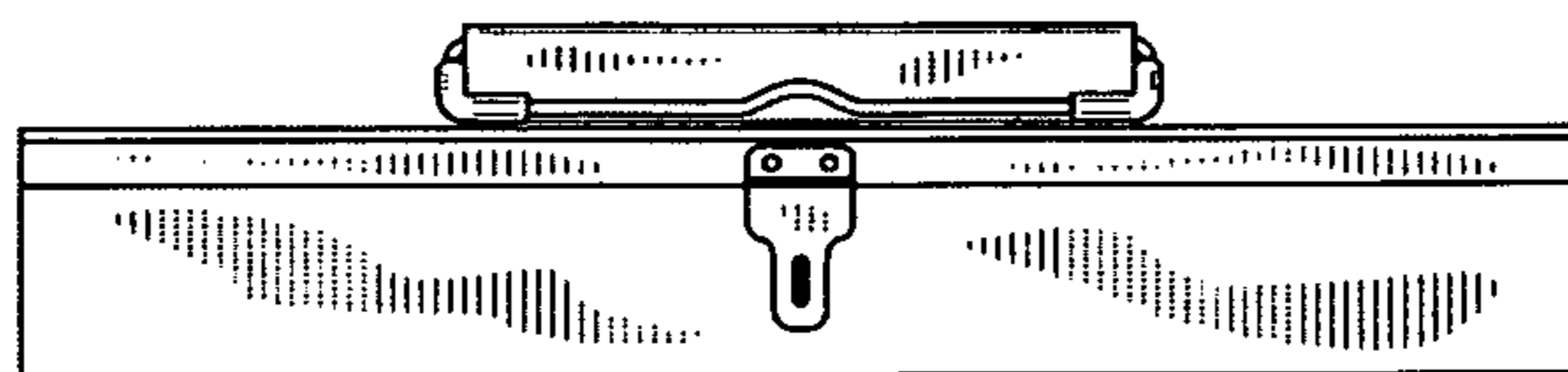


FIG. 6

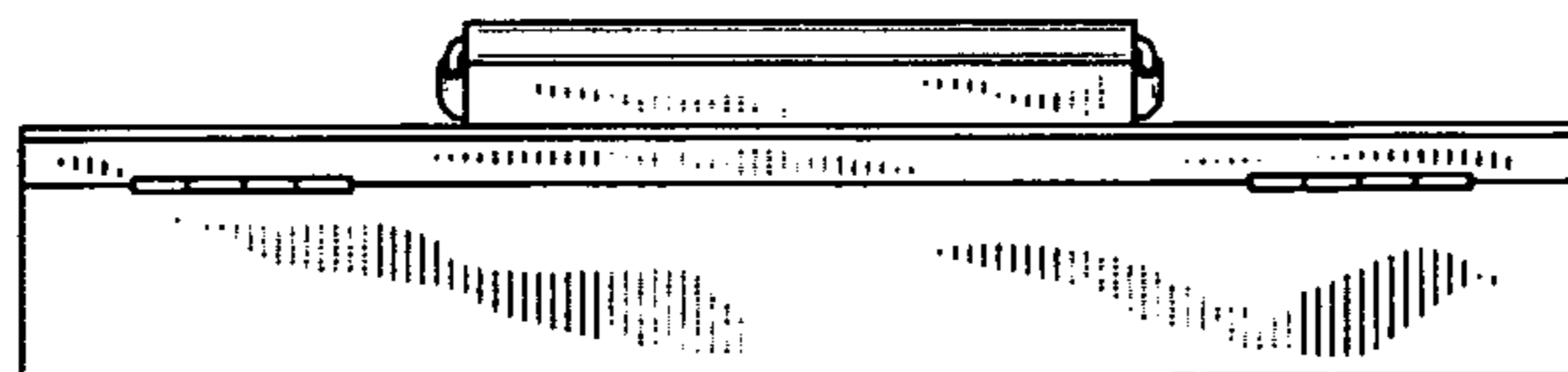


FIG. 7