



US00D692489S

(12) **United States Design Patent**  
**De Bellis et al.**

(10) **Patent No.:** **US D692,489 S**

(45) **Date of Patent:** **\*\* Oct. 29, 2013**

(54) **NOTE DISPENSER**

(71) Applicant: **3M Innovative Properties Company**,  
St. Paul, MN (US)

(72) Inventors: **Giuseppe De Bellis**, San Donato  
Milanese (IT); **James E. Nash**,  
Bloomington, MN (US); **Shaelyn D.**  
**Crutchley**, St. Paul, MN (US)

(73) Assignee: **3M Innovative Properties Company**,  
St. Paul, MN (US)

(\*\*) Term: **14 Years**

(21) Appl. No.: **29/443,354**

(22) Filed: **Jan. 16, 2013**

(51) **LOC (9) Cl.** ..... **19-02**

(52) **U.S. Cl.**  
USPC ..... **D19/86**

(58) **Field of Classification Search**  
USPC ..... D3/201, 206, 247; D6/515, 517, 518;  
D9/414, 432; D19/75, 78, 86, 90-92;  
206/37, 39, 39.5, 215, 233, 425;  
221/282, 283, 284, 285  
See application file for complete search history.

(56) **References Cited**

**U.S. PATENT DOCUMENTS**

D171,242 S \* 1/1954 Belf ..... D3/295  
D239,578 S \* 4/1976 Woodard ..... D3/230

4,449,628 A \* 5/1984 Egly et al. .... 206/752  
D381,692 S \* 7/1997 Lovell ..... D19/91  
D415,528 S \* 10/1999 Mandar ..... D19/69  
D528,164 S \* 9/2006 Orcutt ..... D19/92  
D643,831 S \* 8/2011 Chun et al. .... D14/217  
D670,518 S \* 11/2012 Kluck ..... D6/515  
D671,990 S \* 12/2012 Kugimiya  
D674,691 S \* 1/2013 Martineck ..... D9/432

\* cited by examiner

*Primary Examiner* — Elizabeth Albert

(74) *Attorney, Agent, or Firm* — Irina Hass

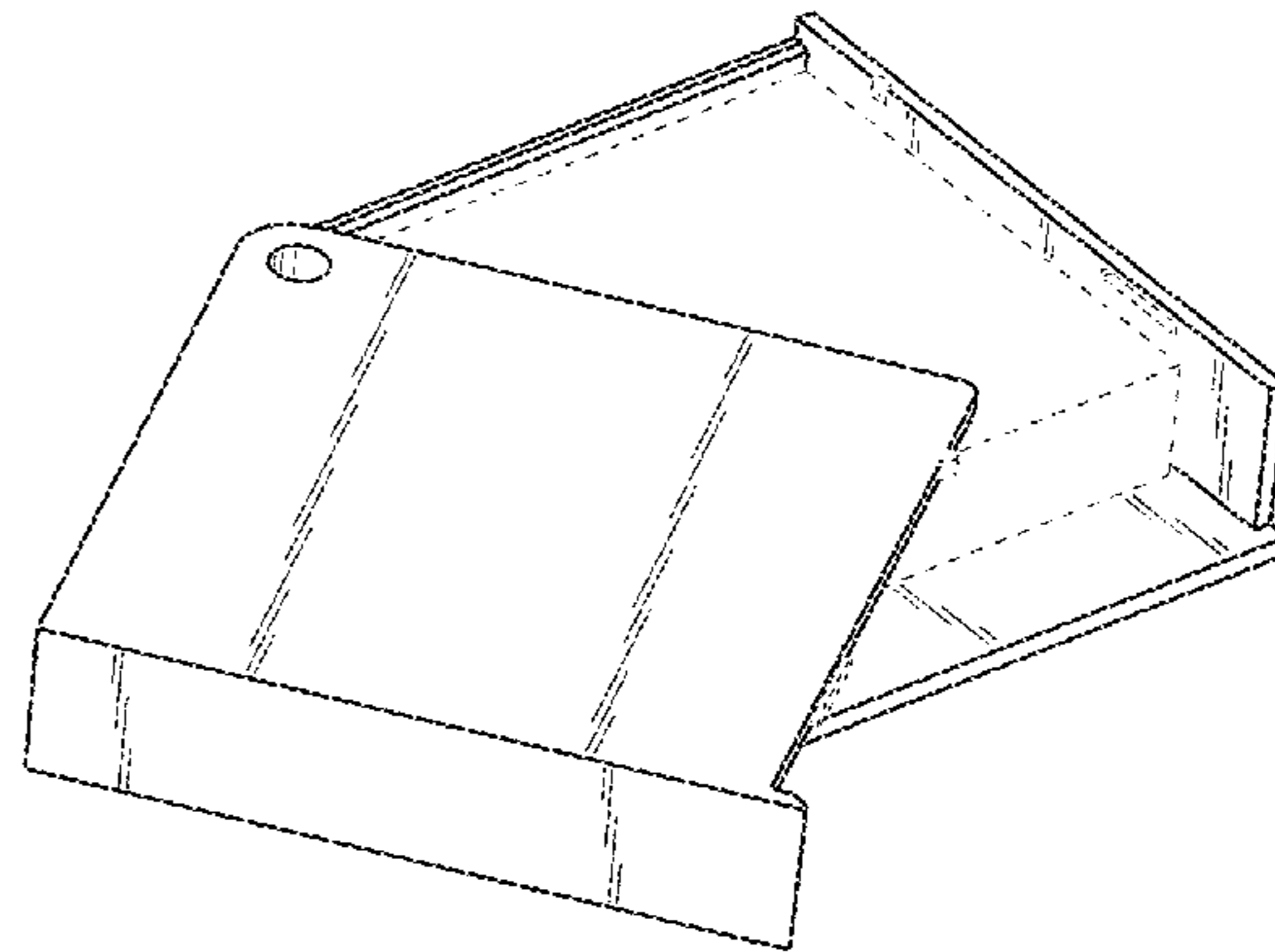
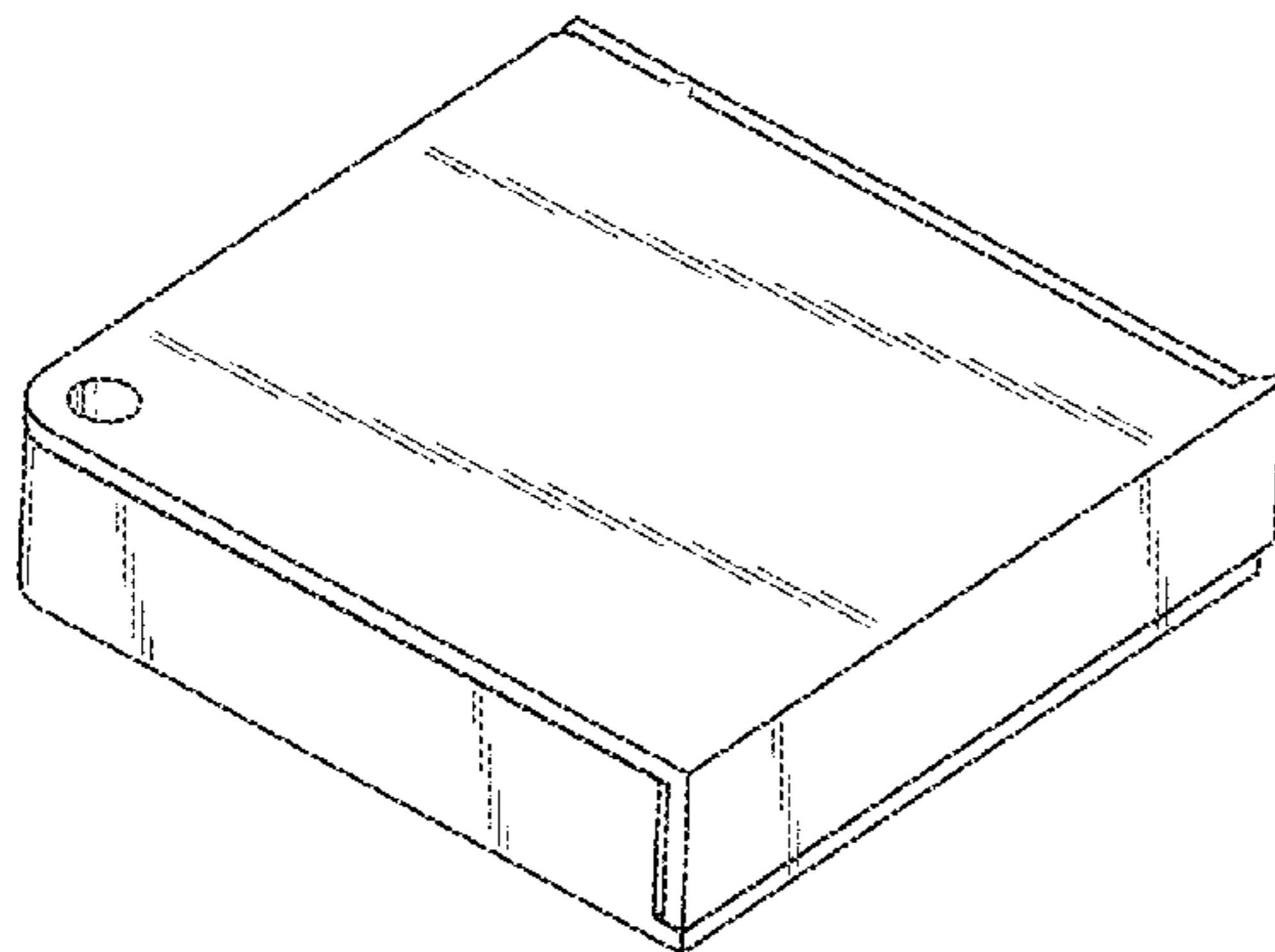
(57) **CLAIM**

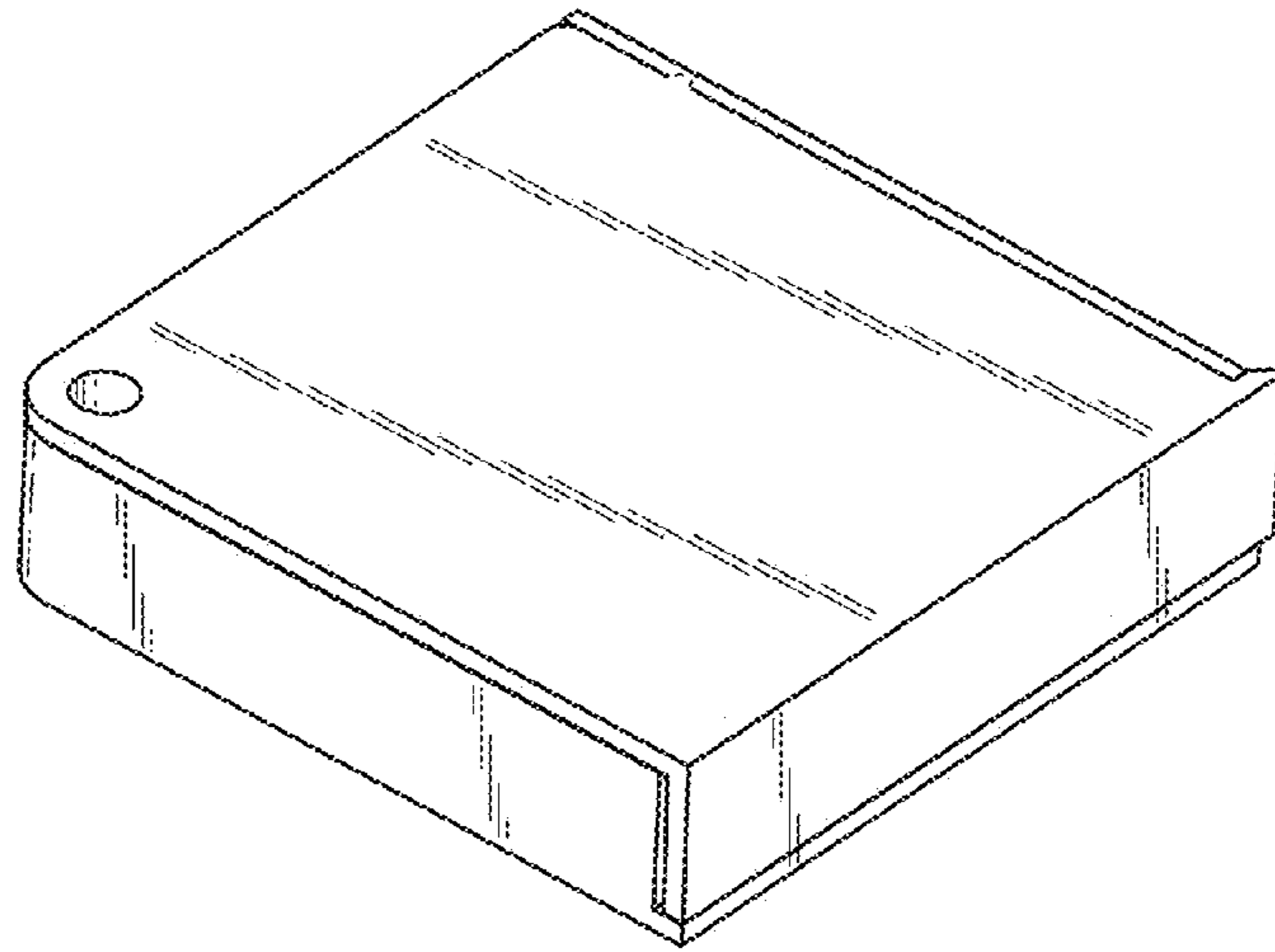
The ornamental design for a note dispenser, as shown and described.

**DESCRIPTION**

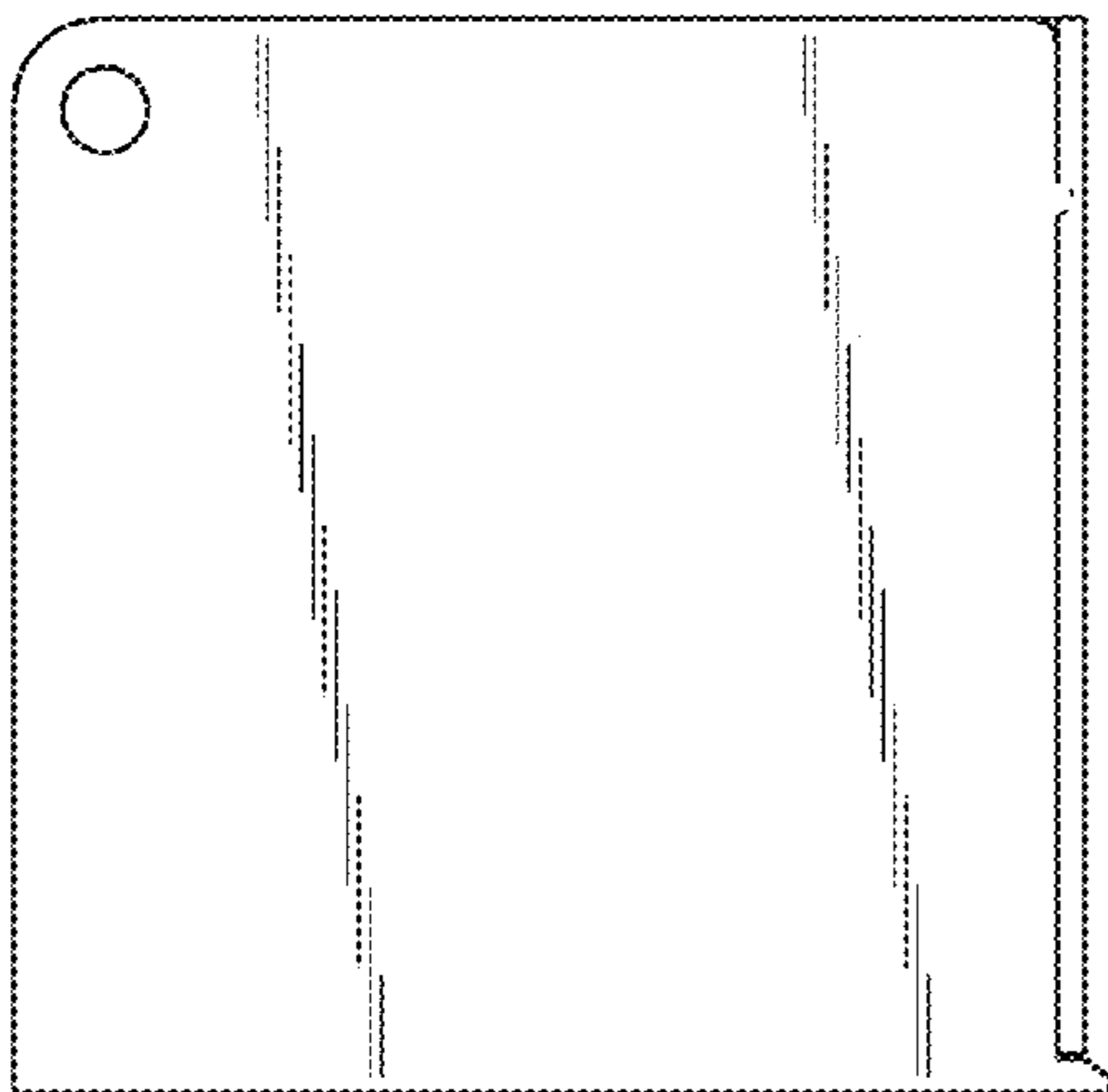
FIG. 1 is a perspective view showing the new design for a note dispenser;  
FIG. 2 is a top view thereof;  
FIG. 3 is a bottom view thereof;  
FIG. 4 is a front view thereof;  
FIG. 5 is a rear view thereof;  
FIG. 6 is a right side view thereof;  
FIG. 7 is a left side view thereof; and,  
FIG. 8 is a perspective view thereof in an open position.  
The broken lines in FIGS. 3 and 8 are included for the purpose of showing portions of the note dispenser that form no part of the claimed design.

**1 Claim, 2 Drawing Sheets**

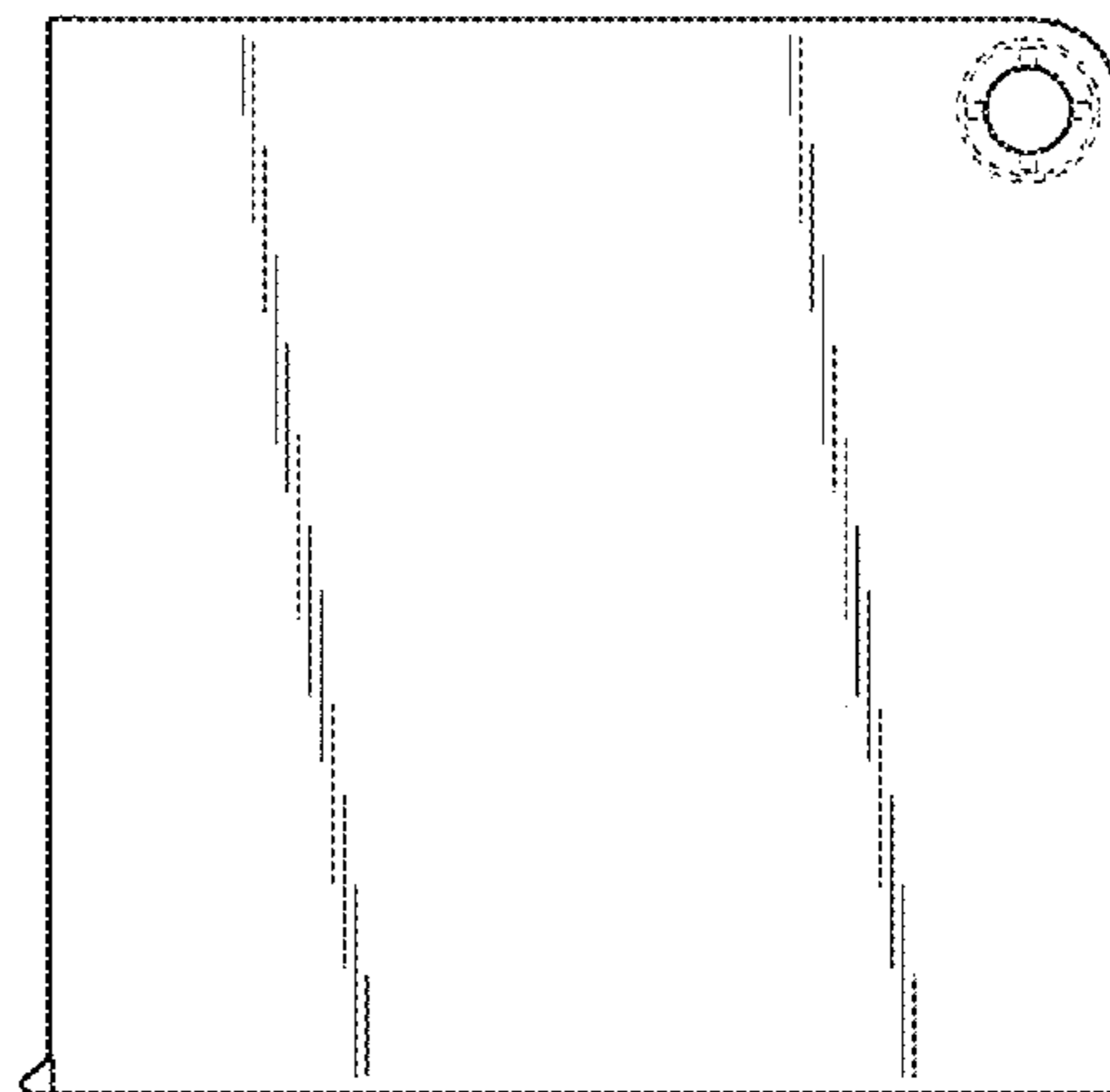




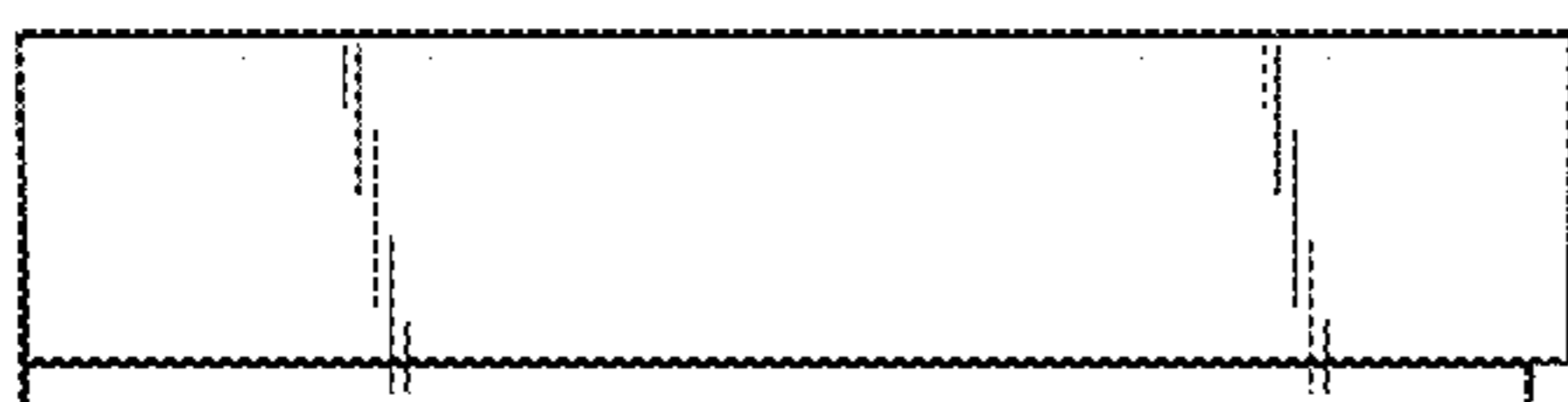
*Fig. 1*



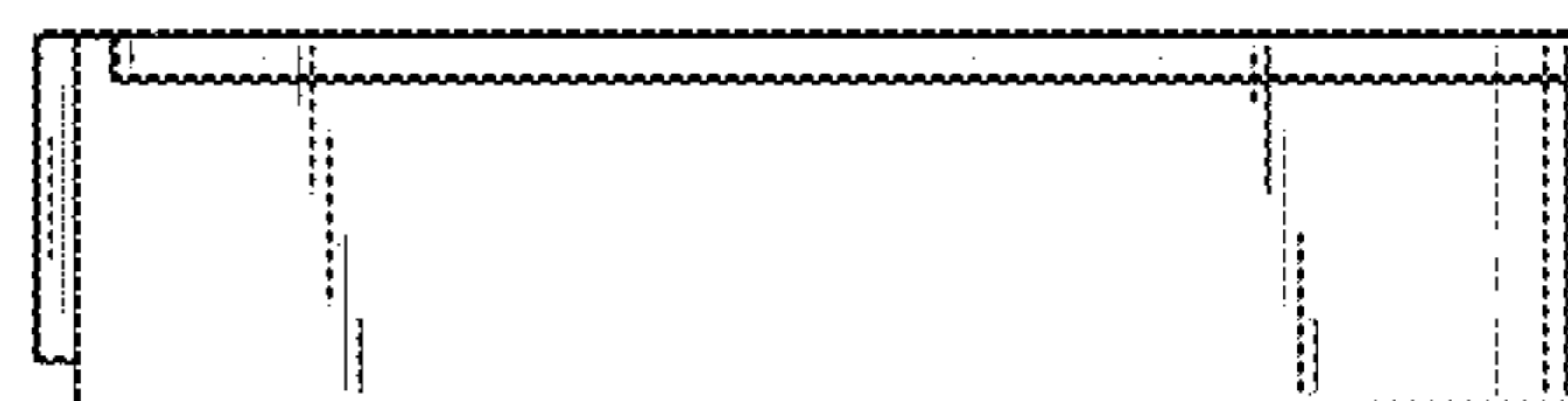
*Fig. 2*



*Fig. 3*



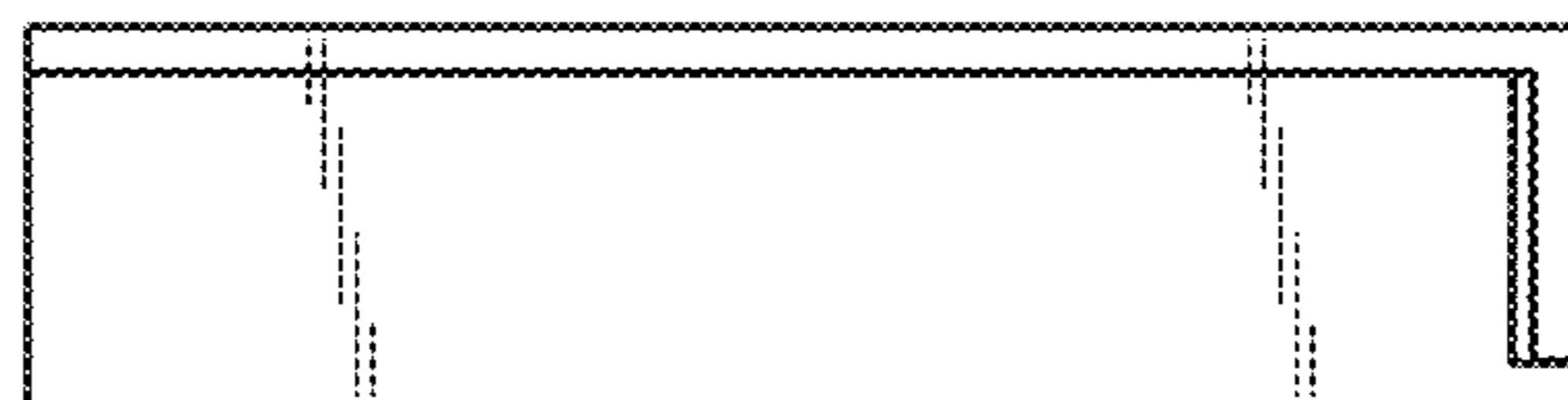
*Fig. 4*



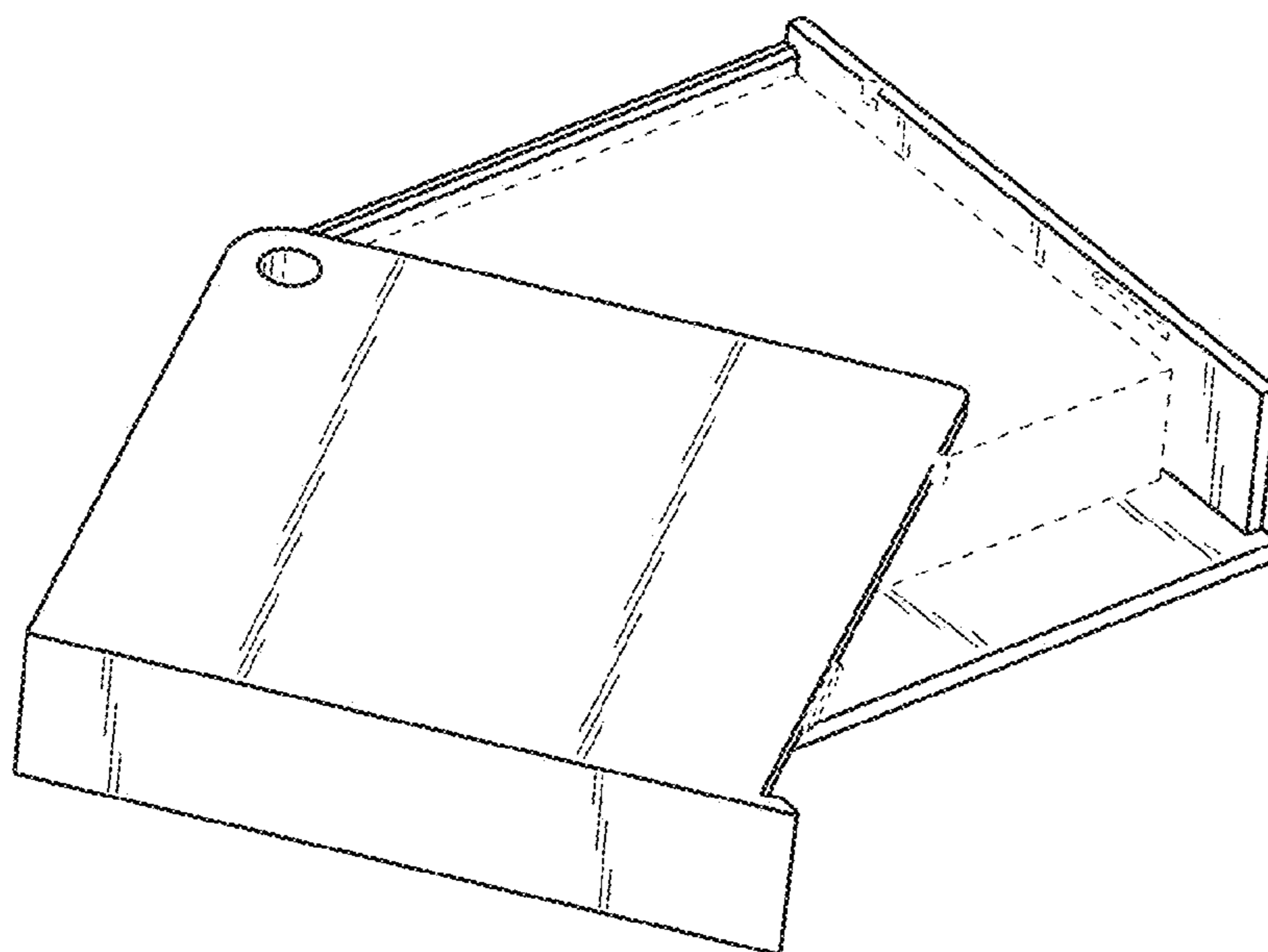
*Fig. 5*



*Fig. 6*



*Fig. 7*



*Fig. 8*