



US00D692487S

(12) **United States Design Patent**  
**Stukenkemper**

(10) **Patent No.:** **US D692,487 S**

(45) **Date of Patent:** **\*\* Oct. 29, 2013**

(54) **CAP FOR A WRITING UTENSIL**

(75) **Inventor:** **Heinrich Stukenkemper,**  
Castrop-Rauxel (DE)

(73) **Assignee:** **Faber-Castell Aktiengesellschaft, Stein**  
(DE)

(\*\*) **Term:** **14 Years**

(21) **Appl. No.:** **29/424,577**

(22) **Filed:** **Jun. 13, 2012**

(30) **Foreign Application Priority Data**

Mar. 1, 2012 (WO) ..... 656003001

(51) **LOC (9) Cl.** ..... **19-06**

(52) **U.S. Cl.**  
USPC ..... **D19/57**

(58) **Field of Classification Search**  
USPC ..... D14/411; D19/35, 36, 41-51, 53-58;  
24/11 F, 11 P, 11 R; 401/52, 99-109,  
401/192, 195, 196

See application file for complete search history.

(56) **References Cited**

**U.S. PATENT DOCUMENTS**

2,128,524	A	*	8/1938	Daviau	.....	310/74
D149,672	S	*	5/1948	Phillips	.....	D26/49
D155,570	S	*	10/1949	Ballard	.....	D4/116
D279,224	S	*	6/1985	Wolbrom	.....	D28/7
D301,486	S	*	6/1989	Yuen	.....	D19/36
D318,294	S	*	7/1991	Cho-Kai	.....	D19/48
D325,931	S	*	5/1992	Sekiguchi	.....	D19/43
D329,253	S	*	9/1992	Sekiguchi	.....	D19/43
D330,079	S	*	10/1992	Dalling et al.	.....	D24/112
D331,070	S	*	11/1992	Hu Huang	.....	D19/43
D340,947	S	*	11/1993	Tu	.....	D19/43
D353,227	S	*	12/1994	Desgrippes	.....	D28/85

D363,739	S	*	10/1995	Petrillo	.....	D19/48
D388,119	S	*	12/1997	Kuramoto	.....	D19/51
D482,065	S	*	11/2003	Hung	.....	D19/36
D500,081	S	*	12/2004	Hung	.....	D19/43
D500,792	S	*	1/2005	Bain et al.	.....	D19/48
D508,262	S	*	8/2005	Reichmann	.....	D19/36
7,311,461	B2	*	12/2007	Bosworth et al.	.....	401/199
D559,311	S	*	1/2008	Qiu et al.	.....	D19/43
D572,307	S	*	7/2008	Qiu et al.	.....	D19/43
D607,052	S	*	12/2009	Siegel	.....	D19/43
D624,592	S	*	9/2010	Stukenkemper	.....	D19/53
D628,631	S	*	12/2010	Liu	.....	D19/41
D667,874	S	*	9/2012	Chen	.....	D19/41
D669,123	S	*	10/2012	Jiang	.....	D19/41
D669,901	S	*	10/2012	Schlossstein	.....	D14/480.3

\* cited by examiner

*Primary Examiner* — Elizabeth Albert

(74) *Attorney, Agent, or Firm* — Pearl Cohen Zedek Latzer, LLP

(57) **CLAIM**

The ornamental design for a cap for a writing utensil, as shown and described.

**DESCRIPTION**

FIG. 1 is a front, bottom, right side perspective view of the cap for a writing utensil;

FIG. 2 is a front elevational view thereof;

FIG. 3 is a back elevational view thereof;

FIG. 4 is a left side elevational view, the right side elevational view being a mirror image thereof;

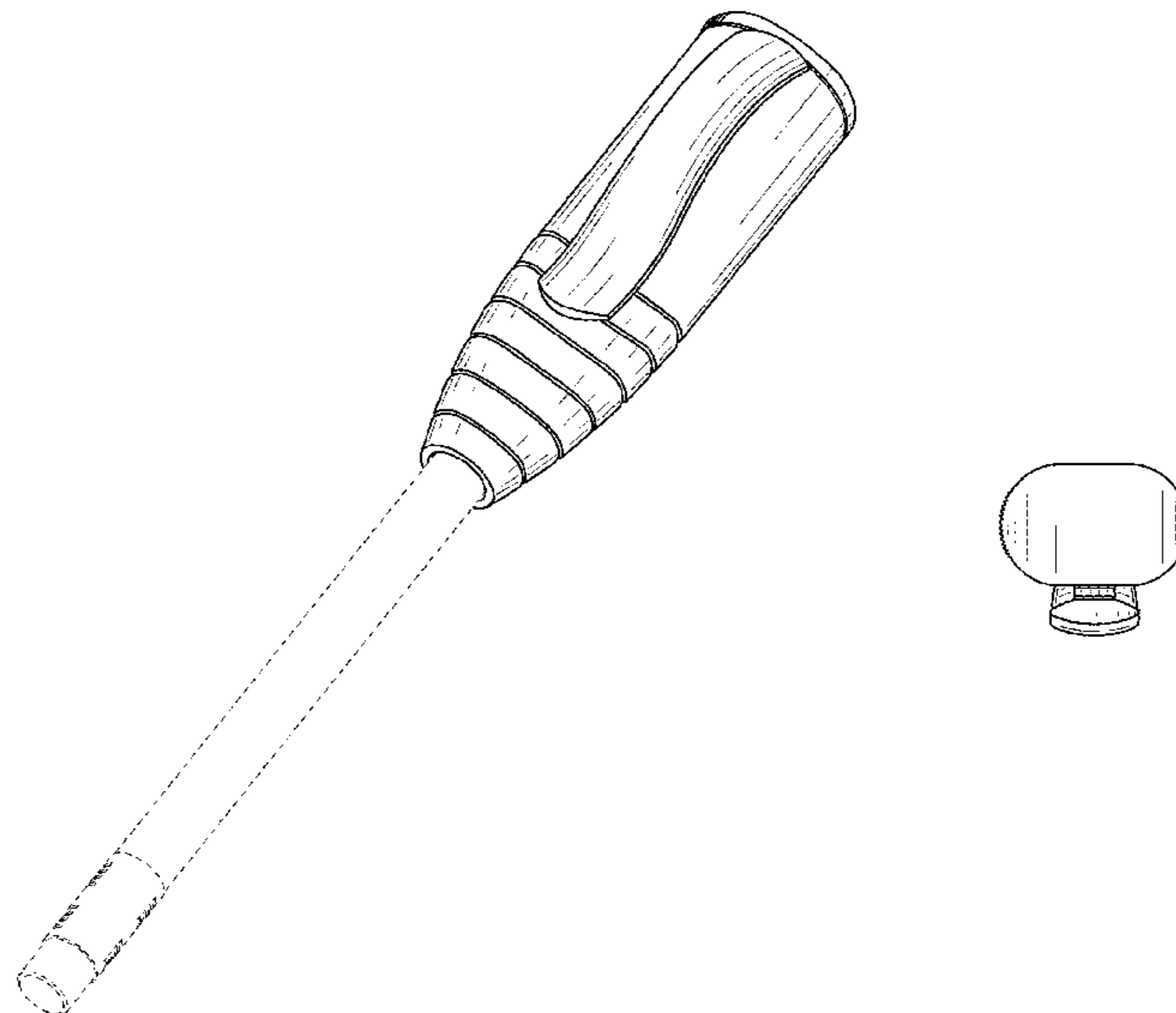
FIG. 5 is a top plan view thereof;

FIG. 6 is a bottom plan view thereof; and,

FIG. 7 is a front, top left side perspective view thereof.

The broken lines showing the pen body in FIGS. 1-4, 6 and 7 are included to show portions that form no part of the claimed design.

**1 Claim, 3 Drawing Sheets**



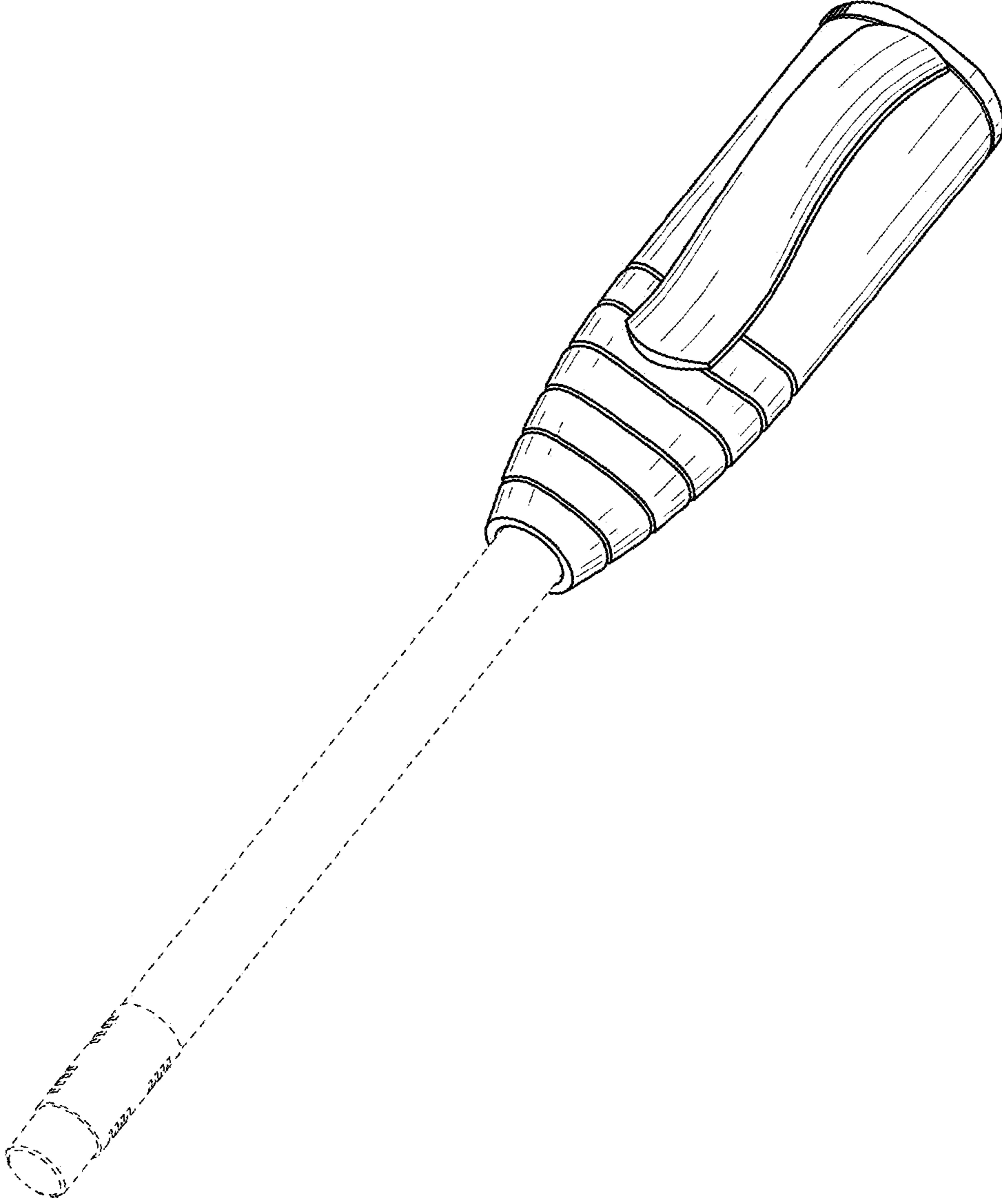


FIG. 1

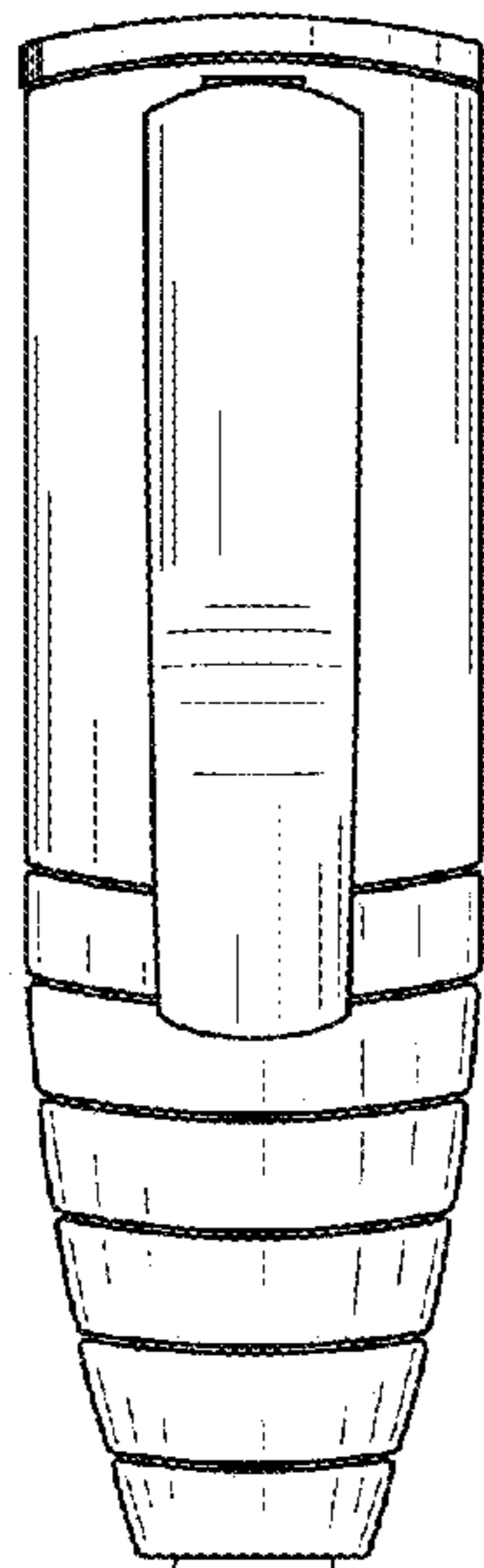


FIG. 2

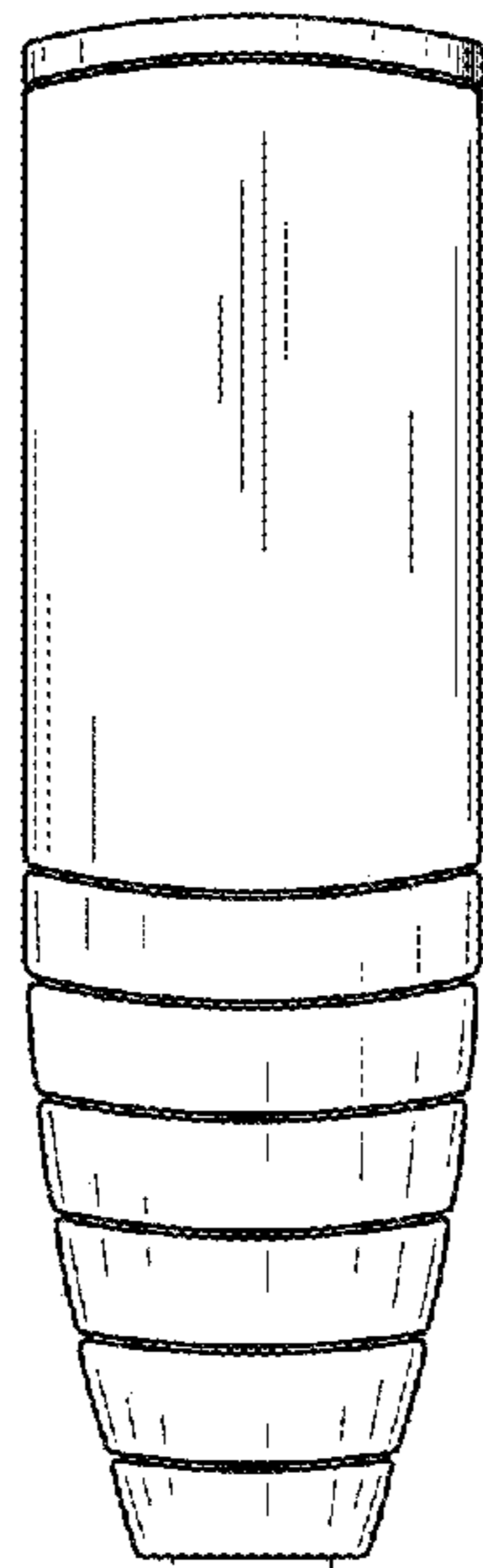


FIG. 3

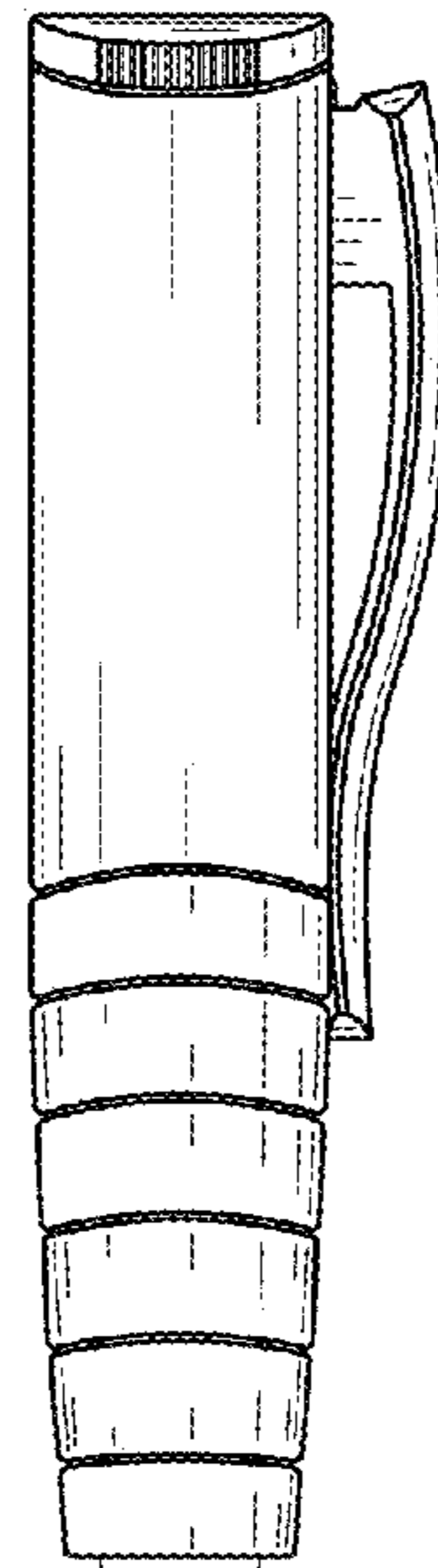


FIG. 4

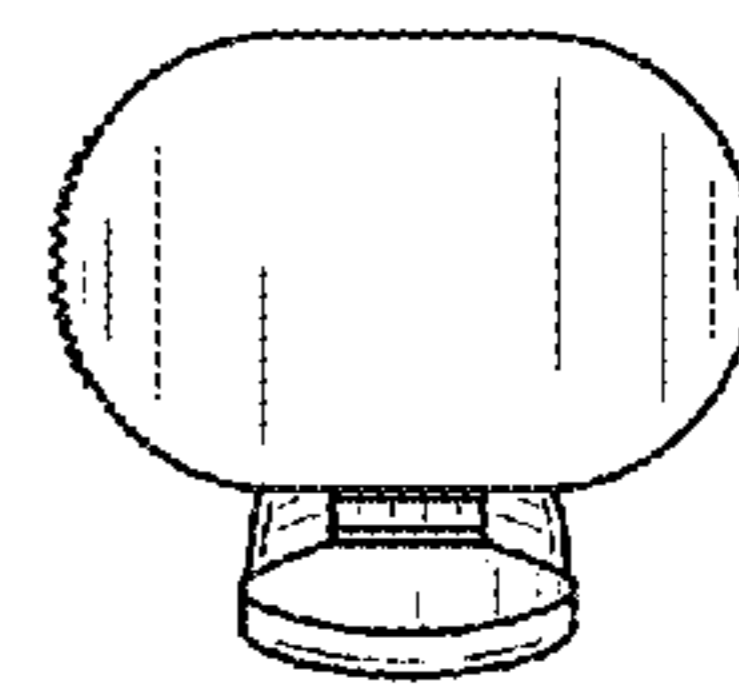


FIG. 5

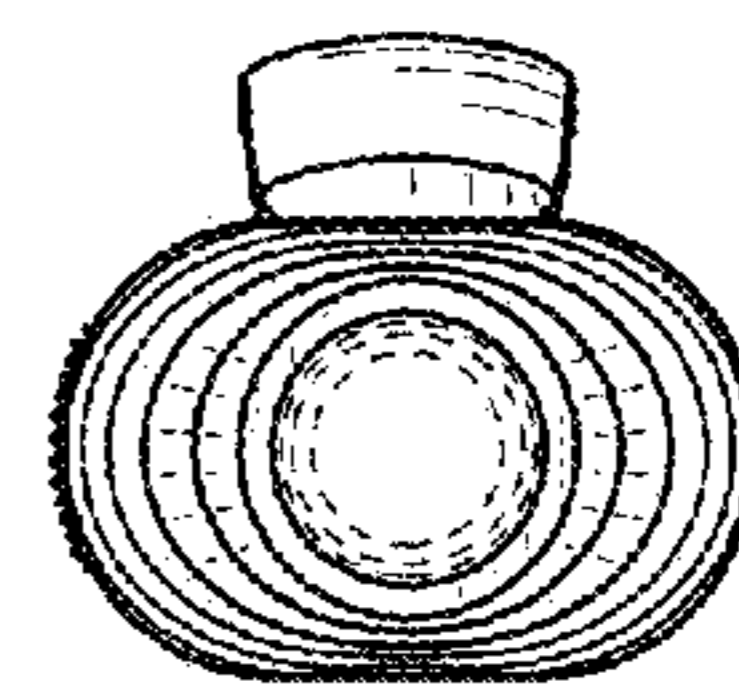
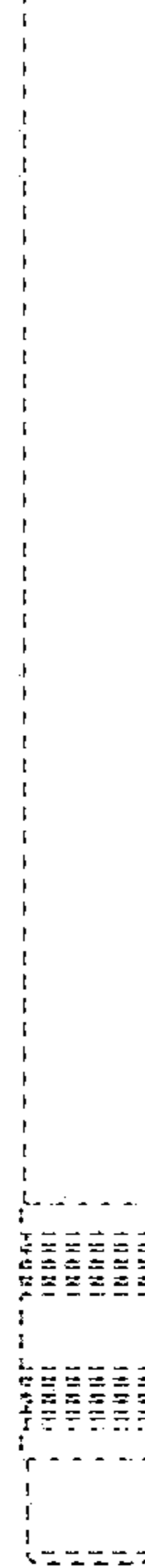
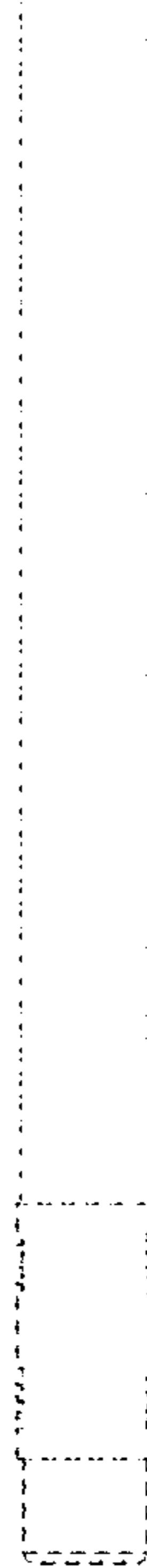
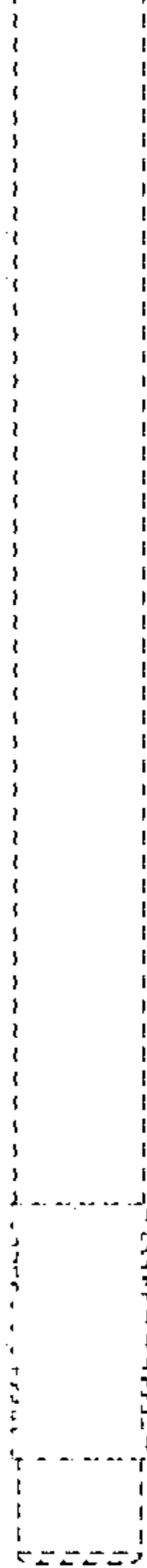


FIG. 6



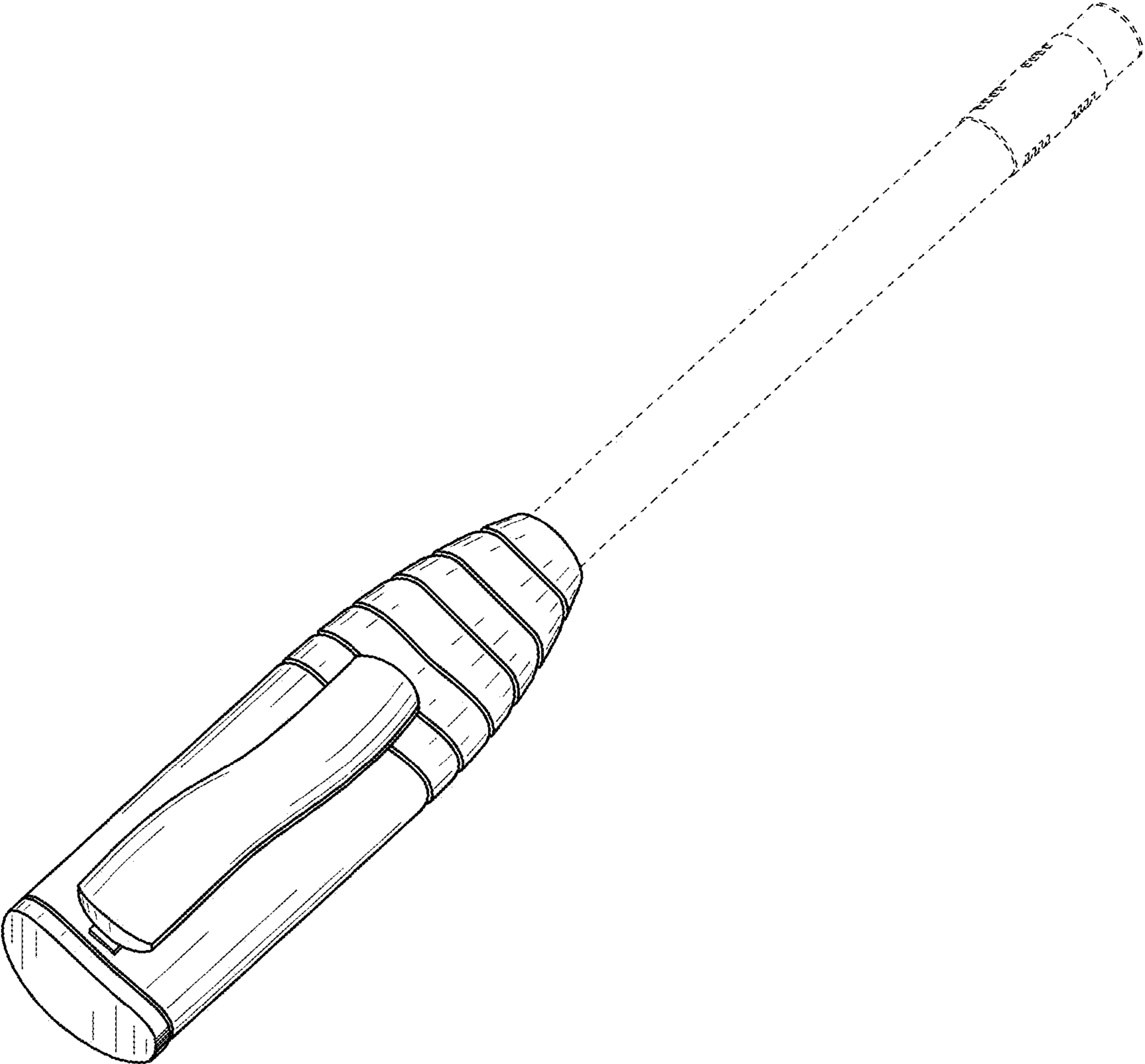


FIG. 7