



US00D692478S

(12) **United States Design Patent**  
**Hattori et al.**

(10) **Patent No.:** **US D692,478 S**

(45) **Date of Patent:** **\*\* Oct. 29, 2013**

(54) **INK JET HEAD**

(75) Inventors: **Shingo Hattori**, Nagoya (JP); **Keita Sugiura**, Nagoya (JP)

(73) Assignee: **Brother Industries, Ltd.**, Nagoya (JP)

(\*\*) Term: **14 Years**

(21) Appl. No.: **29/416,918**

(22) Filed: **Mar. 28, 2012**

(30) **Foreign Application Priority Data**

Sep. 29, 2011 (JP) ..... 2011-22283

(51) **LOC (9) Cl.** ..... **18-02**

(52) **U.S. Cl.**  
USPC ..... **D18/56**

(58) **Field of Classification Search**  
USPC ..... D18/12, 43, 56; 347/86-87  
See application file for complete search history.

(56) **References Cited**

**U.S. PATENT DOCUMENTS**

D365,846 S \* 1/1996 Nishimura ..... D18/43  
D366,276 S \* 1/1996 Yasuda ..... D18/43

6,763,215 B1 \* 7/2004 Jones ..... 399/260  
7,004,573 B2 \* 2/2006 Hewitt ..... 347/85  
7,172,272 B2 \* 2/2007 Tsuchiya et al. .... 347/86  
D554,695 S \* 11/2007 Horii et al. .... D18/43  
8,205,337 B2 \* 6/2012 Lower et al. .... 29/890.039

\* cited by examiner

*Primary Examiner* — Cathy A MacCormac

(74) *Attorney, Agent, or Firm* — Oliff & Berridge, PLC

(57) **CLAIM**

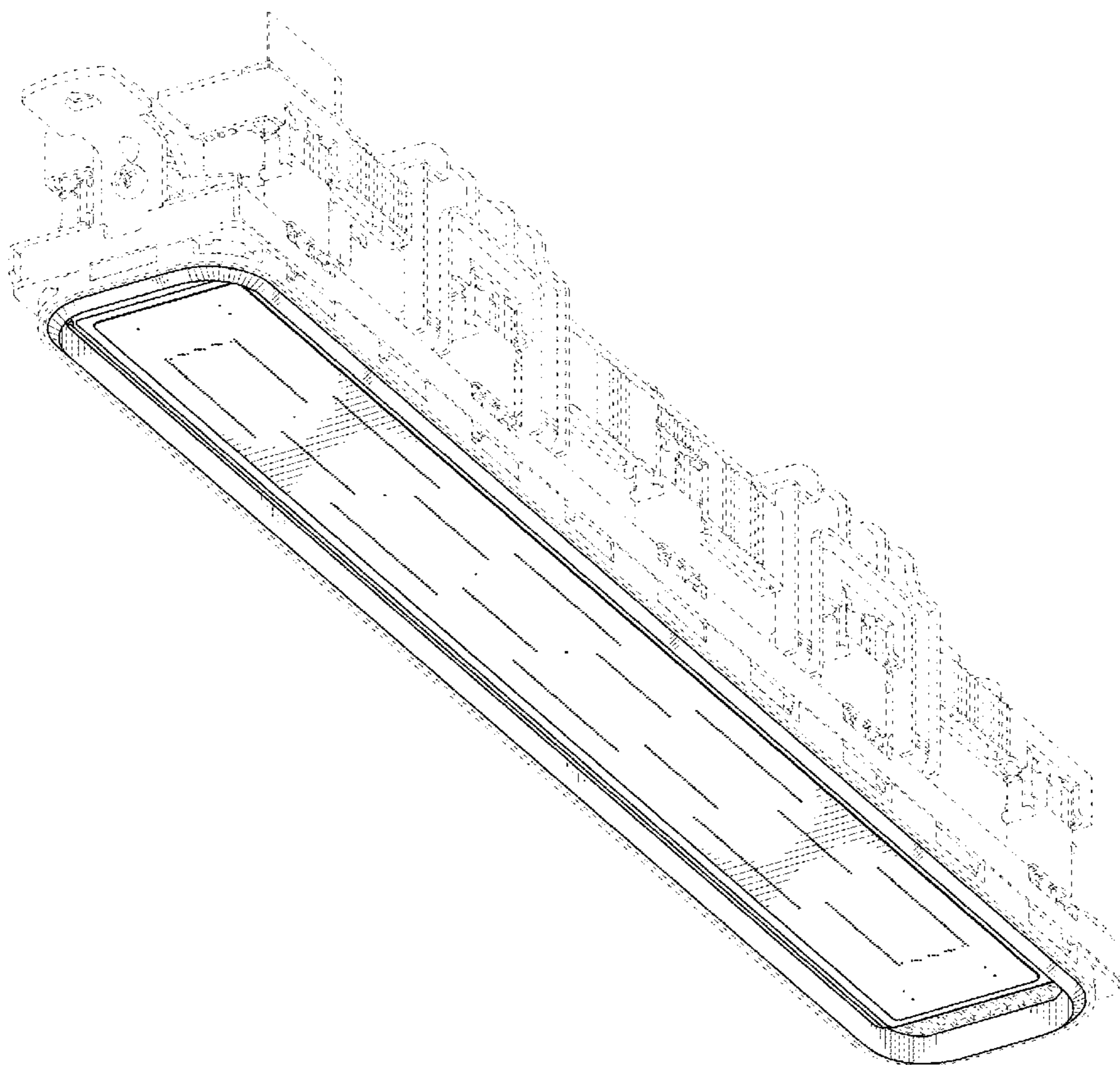
The ornamental design for an ink jet head, as shown and described.

**DESCRIPTION**

FIG. 1 is a perspective view of an ink jet head;  
FIG. 2 is a front view thereof;  
FIG. 3 is a top view thereof;  
FIG. 4 is a right-side view thereof;  
FIG. 5 is a left-side view thereof;  
FIG. 6 is a rear view thereof; and,  
FIG. 7 is a bottom view thereof.

The broken lines depict unclaimed portions only and form no part of the claimed design.

**1 Claim, 4 Drawing Sheets**



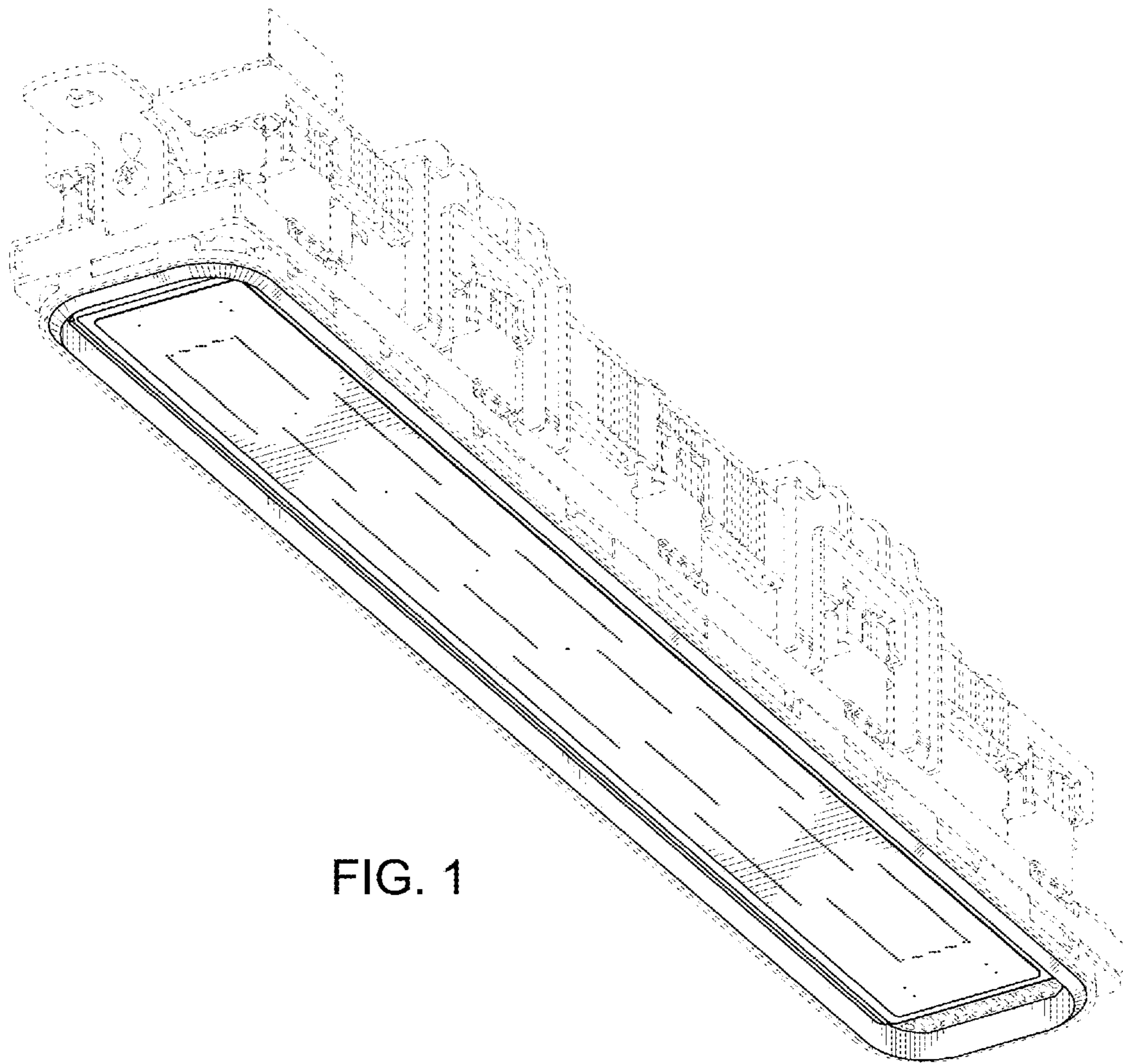


FIG. 1

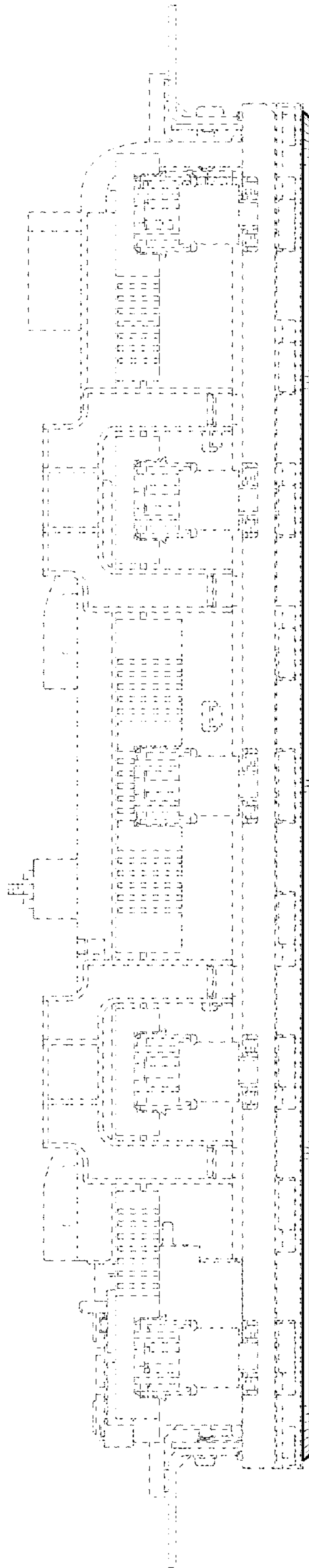


FIG. 2

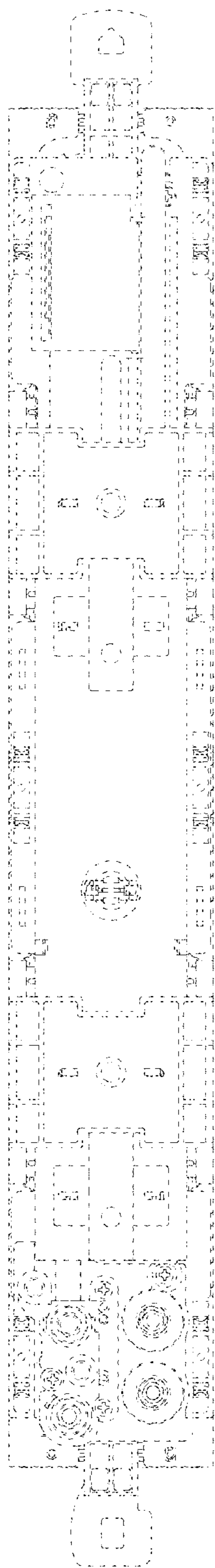


FIG. 3

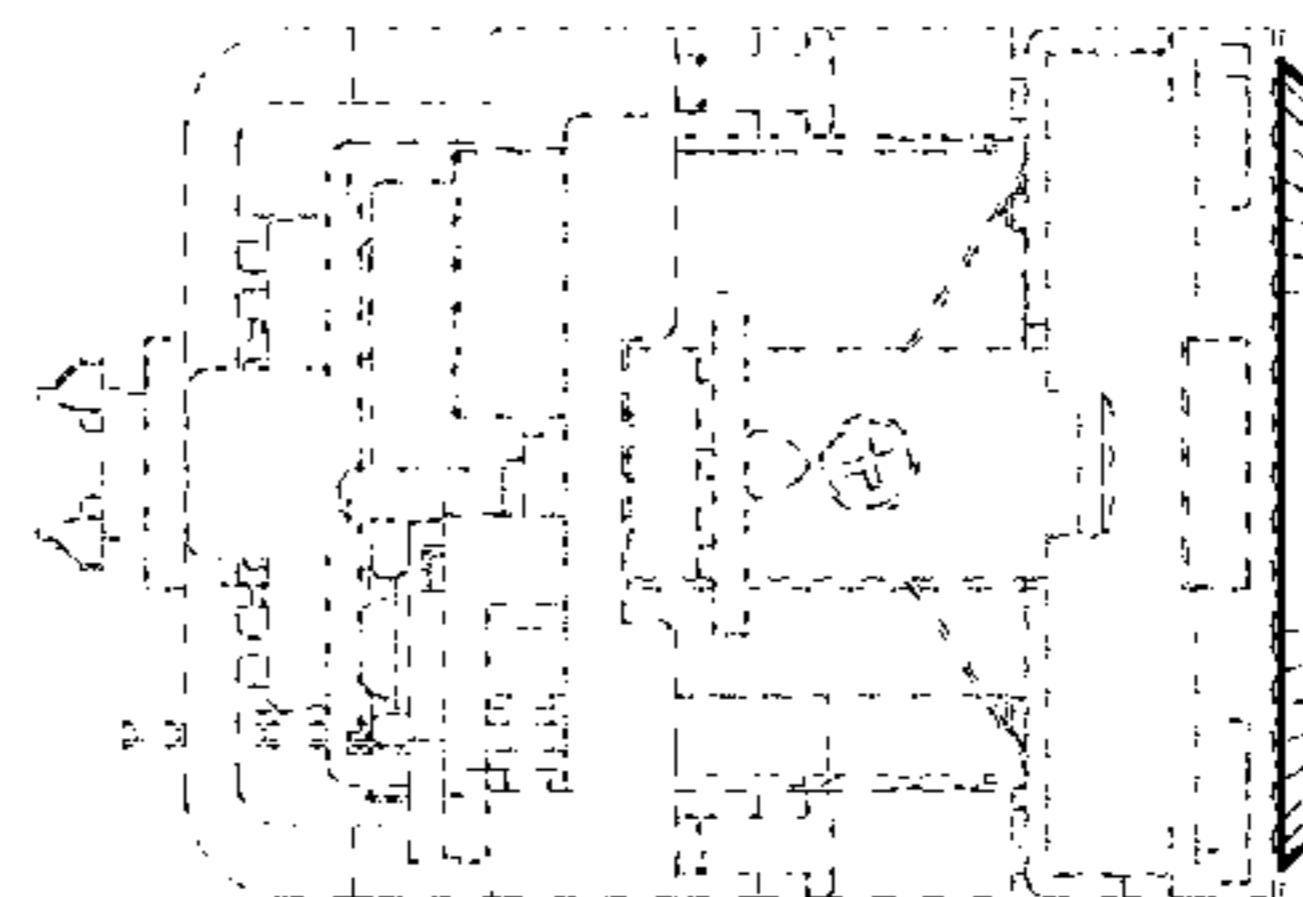


FIG. 5

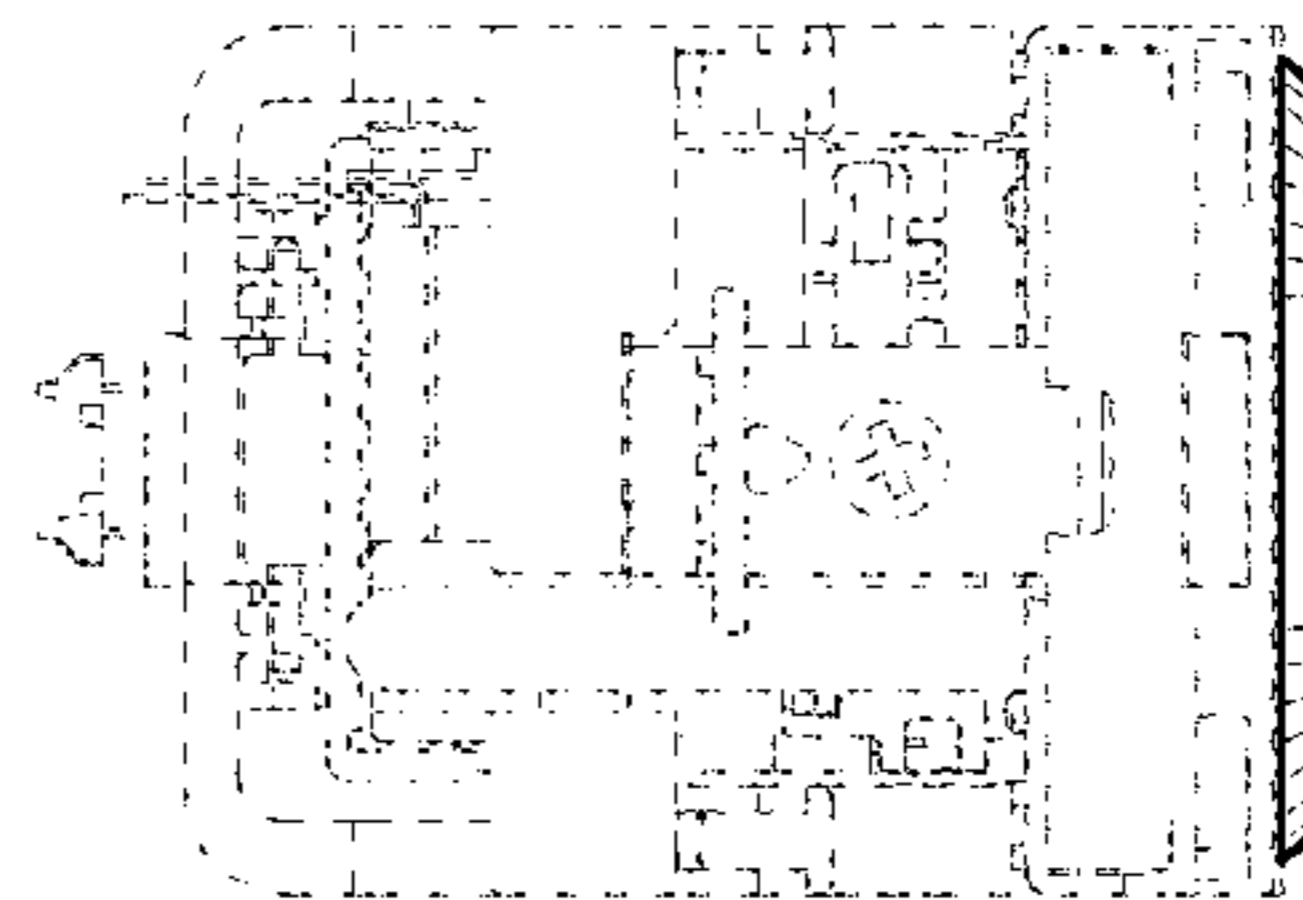


FIG. 4

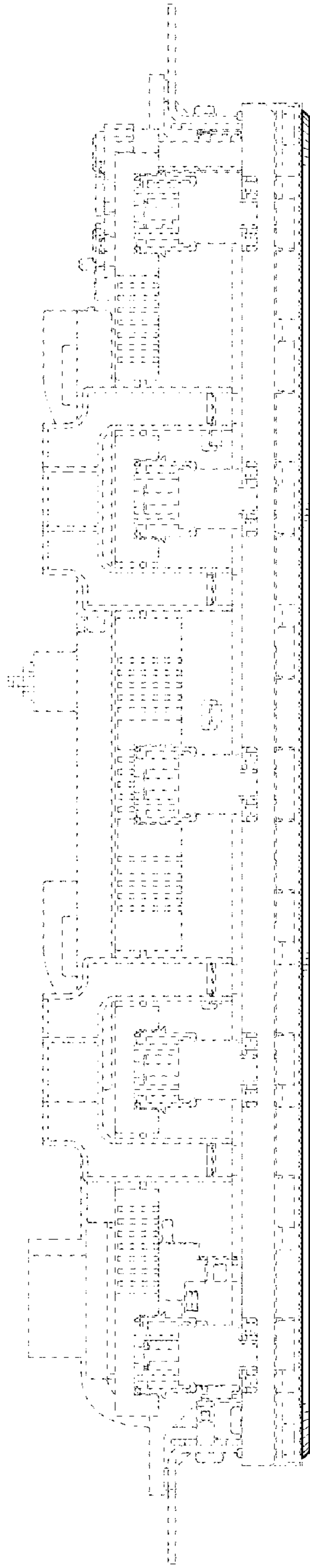


FIG. 6

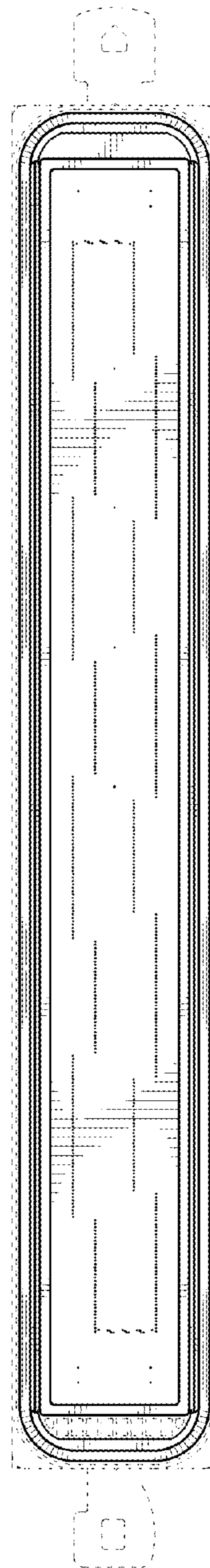


FIG. 7