



US00D692475S

(12) **United States Design Patent**  
**Hasuda**

(10) **Patent No.:** **US D692,475 S**  
(45) **Date of Patent:** **\*\* Oct. 29, 2013**

(54) **CAMERA MOUNT**

(75) Inventor: **Masanori Hasuda**, Fujisawa (JP)

(73) Assignee: **Nikon Corporation**, Tokyo (JP)

(\*\*) Term: **14 Years**

(21) Appl. No.: **29/432,090**

(22) Filed: **Sep. 13, 2012**

(30) **Foreign Application Priority Data**

Mar. 21, 2012 (JP) ..... 2012-006323

(51) **LOC (9) Cl.** ..... **16-05**

(52) **U.S. Cl.**  
USPC ..... **D16/219; D16/134**

(58) **Field of Classification Search**  
USPC ..... D16/200–204, 208, 214, 219, 235, 237,  
D16/242–245, 250; D14/217, 251, 511;  
248/176.1, 177.1, 178.1, 179.1, 180.1,  
248/183.1, 187.1, 683; 348/373, 375;  
396/419–428; D8/14, 354, 94  
See application file for complete search history.

(56) **References Cited**

**U.S. PATENT DOCUMENTS**

4,390,263 A \* 6/1983 Sumita ..... 396/529  
D339,599 S \* 9/1993 Tiffen ..... D16/219

D529,065 S \* 9/2006 Watanabe ..... D16/219  
D539,323 S \* 3/2007 Tokiwa et al. .... D16/219  
7,520,685 B2 \* 4/2009 Lee ..... 396/427  
D600,265 S \* 9/2009 Miyashita ..... D16/219  
D648,363 S \* 11/2011 Takagi et al. .... D16/219  
D669,930 S \* 10/2012 Koyama et al. .... D16/219  
D670,751 S \* 11/2012 Koyama et al. .... D16/219  
2007/0053681 A1 \* 3/2007 Arbuckle ..... 396/427

\* cited by examiner

*Primary Examiner* — Susan Bennett Hattan

*Assistant Examiner* — Vy Koenig

(74) *Attorney, Agent, or Firm* — Wolf, Greenfield & Sacks,  
P.C.; Randy J. Pritzker

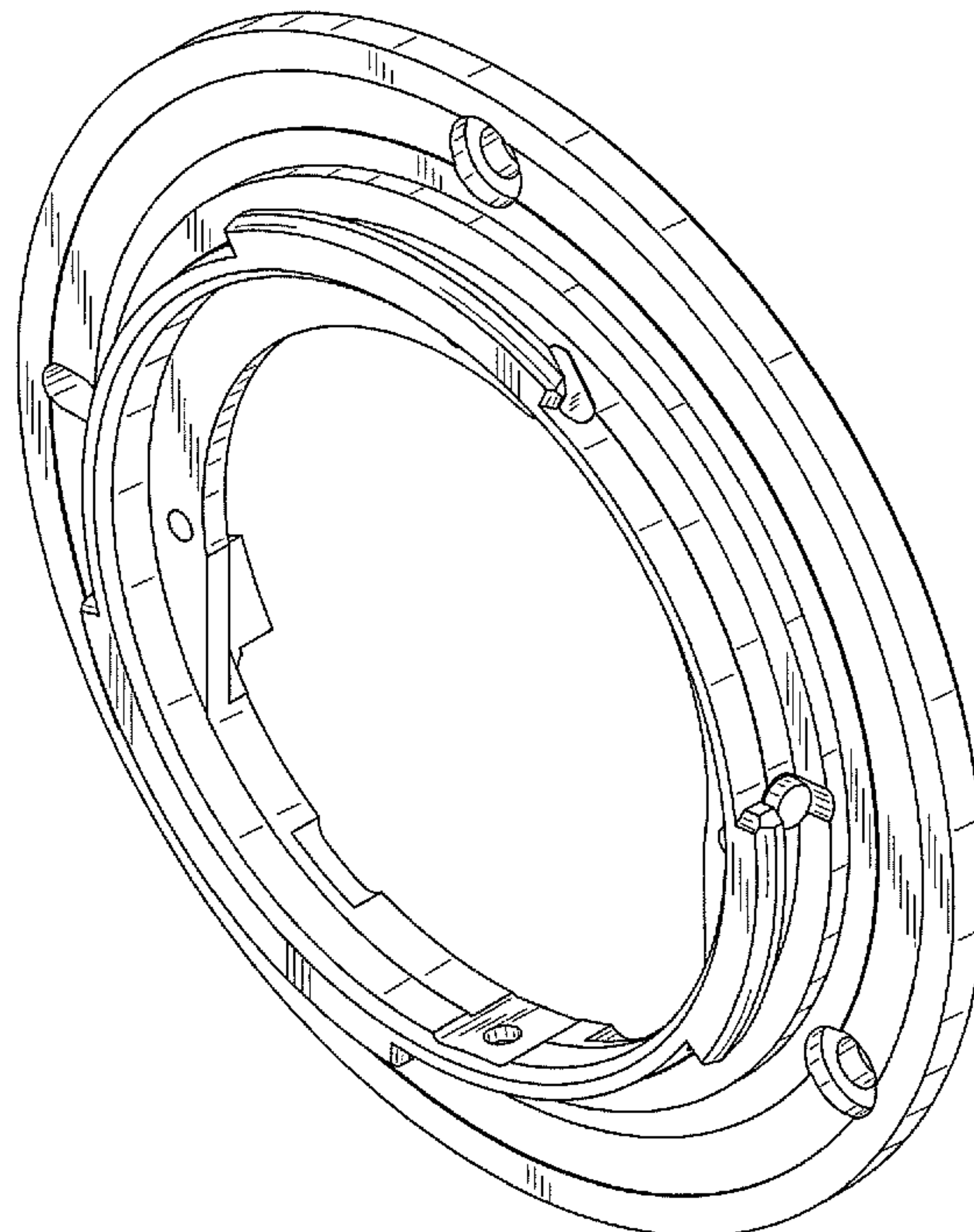
(57) **CLAIM**

The ornamental design for a camera mount, as shown and described.

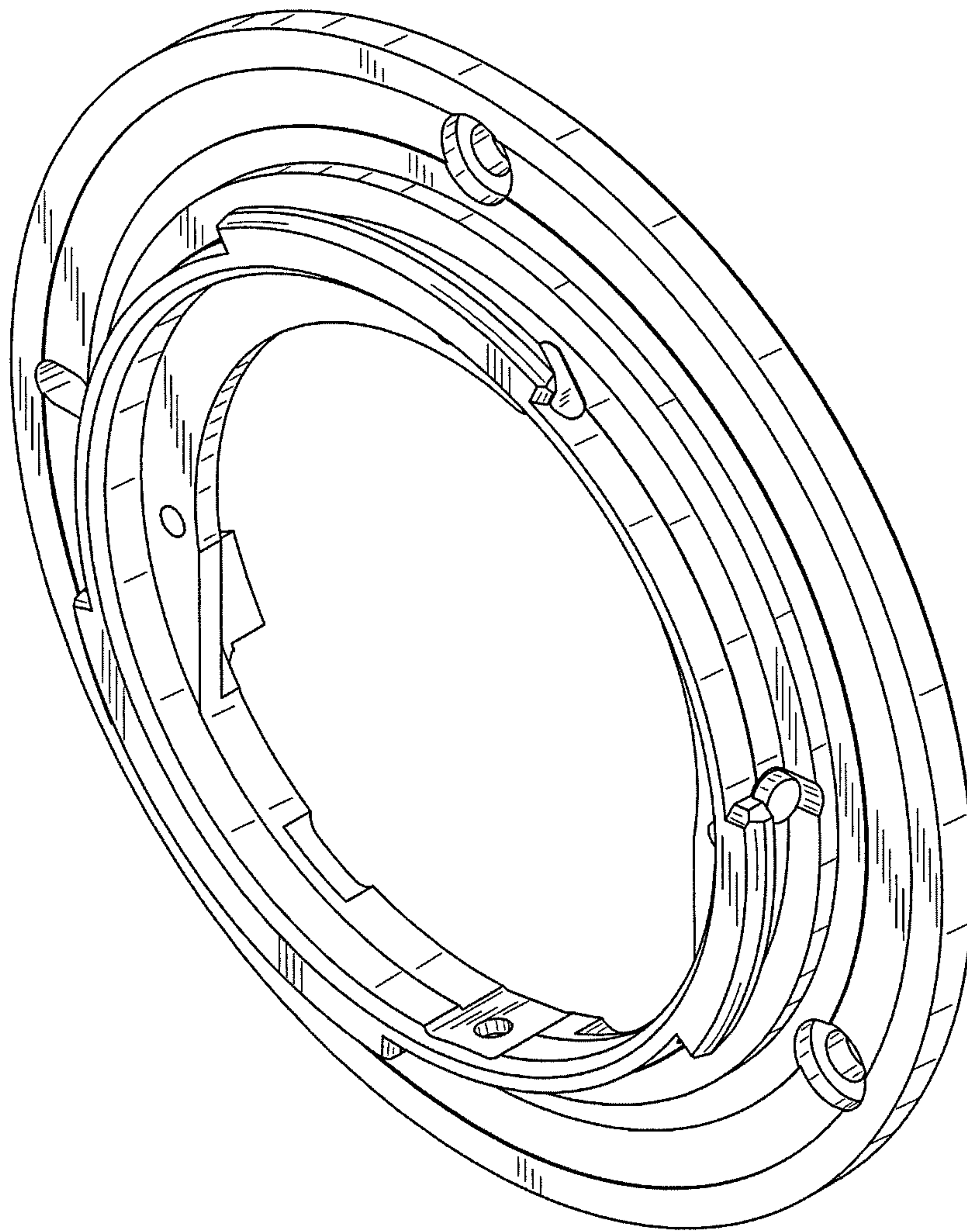
**DESCRIPTION**

FIG. 1 is a front perspective view of a camera mount showing my new design;  
FIG. 2 is a rear perspective view thereof;  
FIG. 3 is a front view thereof;  
FIG. 4 is a rear view thereof;  
FIG. 5 is a top plan view thereof;  
FIG. 6 is a bottom plan view thereof;  
FIG. 7 is a right side view thereof; and,  
FIG. 8 is a left side view thereof.

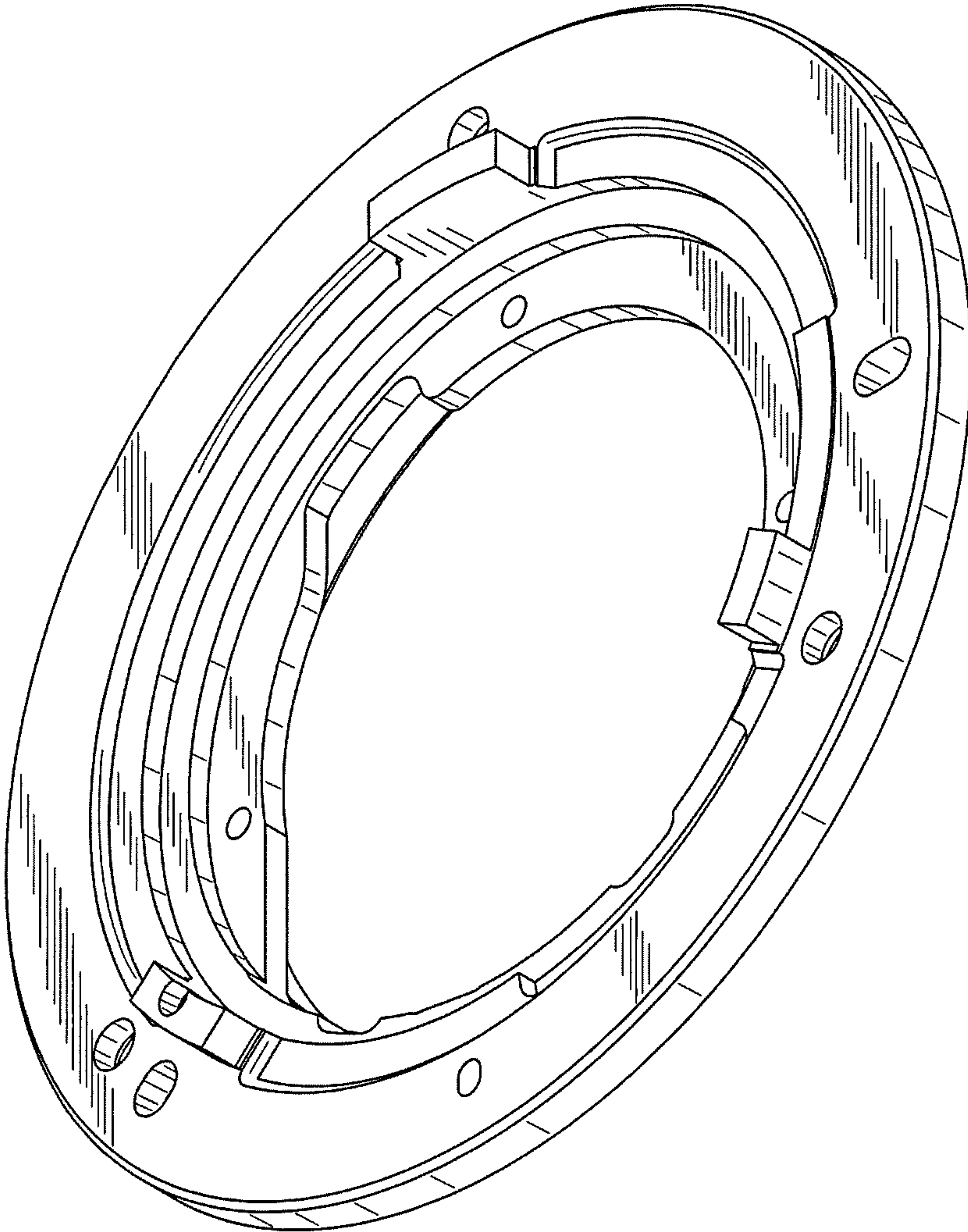
**1 Claim, 8 Drawing Sheets**



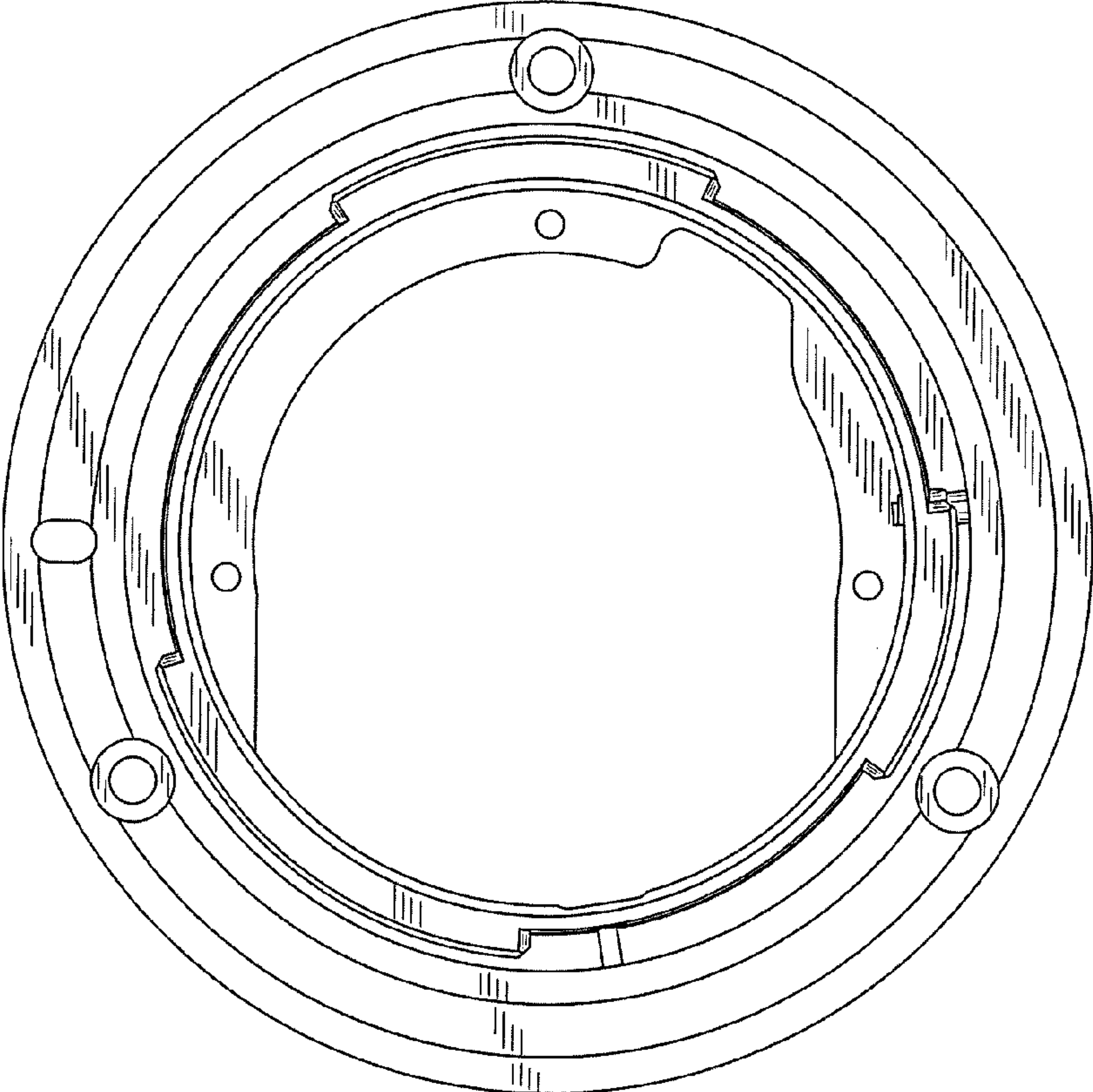
**FIG. 1**



**FIG. 2**

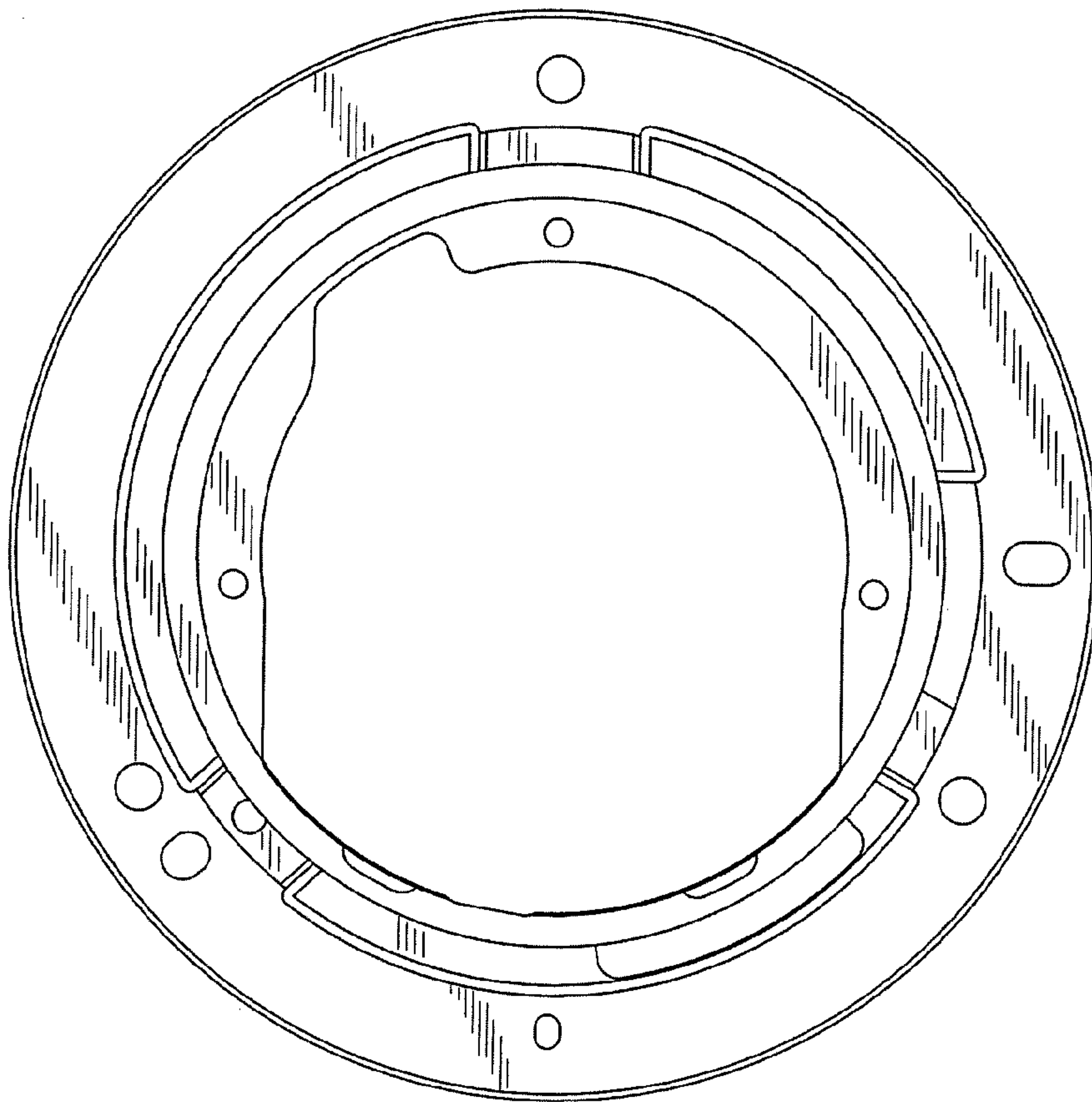


**FIG. 3**

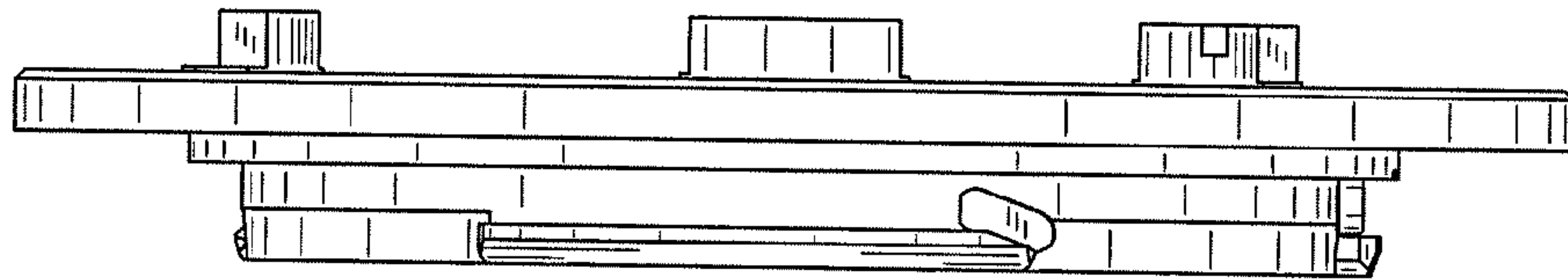




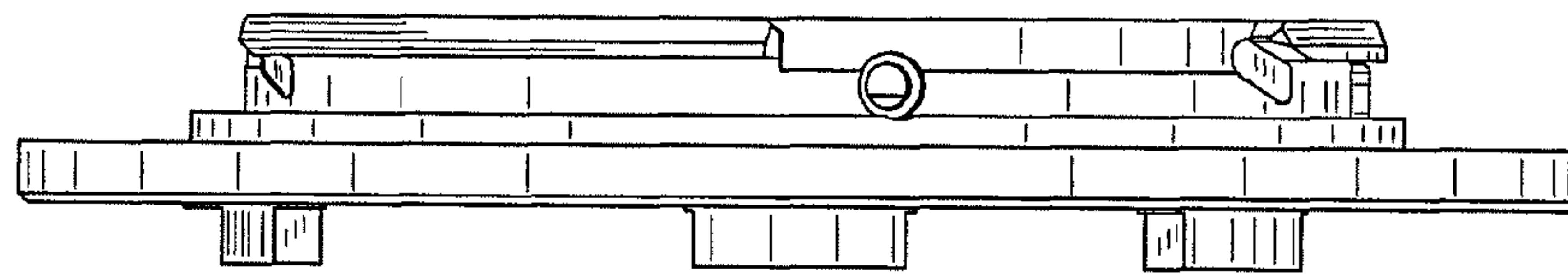
**FIG. 4**



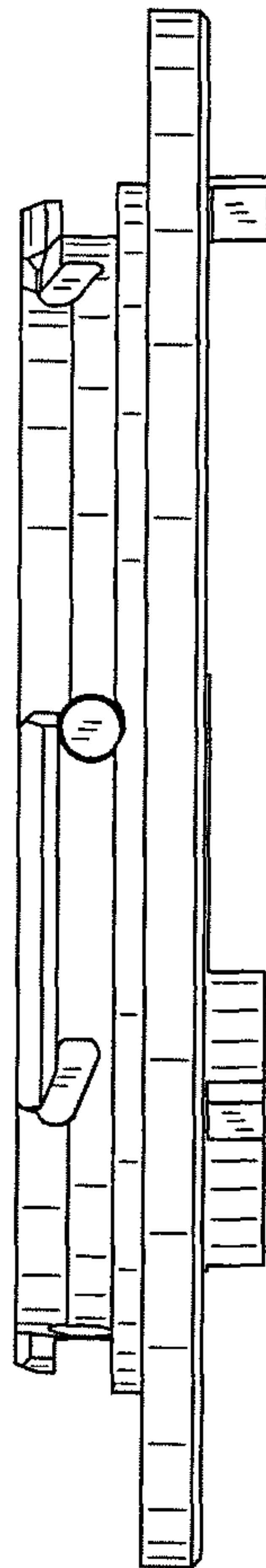
*FIG. 5*



*FIG. 6*



*FIG. 7*





**FIG. 8**

