



US00D692473S

(12) **United States Design Patent**
Kawaguchi et al.

(10) **Patent No.:** **US D692,473 S**
(45) **Date of Patent:** **** Oct. 29, 2013**

(54) **CAMERA FOR PROJECTOR**

(75) Inventors: **Yuta Kawaguchi**, Funabashi (JP);
Yoshihiro Iwama, Kokubunji (JP);
Chiaki Kinno, Yokoham (JP); **Atsushi**
Ishibashi, Tokorozawa (JP)

(73) Assignee: **Hitachi Consumer Electronics Co.,**
Ltd., Tokyo (JP)

(**) Term: **14 Years**

(21) Appl. No.: **29/425,243**

(22) Filed: **Jun. 21, 2012**

(30) **Foreign Application Priority Data**

Jan. 19, 2012 (JP) 2012-000952

(51) **LOC (9) Cl.** **16-01**

(52) **U.S. Cl.**
USPC **D16/202; D16/235**

(58) **Field of Classification Search**
USPC D16/200–205, 208, 219, 221, 225,
D16/229–230, 235, 218; 348/373–376;
358/909.1; D21/514; 396/535–541,
396/153, 263; 353/115, 119, 122
See application file for complete search history.

(56) **References Cited**

U.S. PATENT DOCUMENTS

D296,551 S * 7/1988 Mizogui D16/202
5,218,390 A * 6/1993 Swayze 396/541
6,735,387 B1 * 5/2004 Schnell 396/263

D504,905 S * 5/2005 Tullberg et al. D16/218
D519,141 S * 4/2006 Hayashi D16/202
D522,558 S * 6/2006 Murray D16/218
D542,820 S * 5/2007 Depay D16/202
7,409,148 B2 * 8/2008 Takahashi et al. 396/539
7,450,173 B2 * 11/2008 Im et al. 348/373
7,891,826 B2 * 2/2011 Fujinawa et al. 353/119
D648,365 S * 11/2011 Tatara et al. D16/229

* cited by examiner

Primary Examiner — Wan Laymon

(74) *Attorney, Agent, or Firm* — Antonelli, Terry, Stout & Kraus, LLP.

(57) **CLAIM**

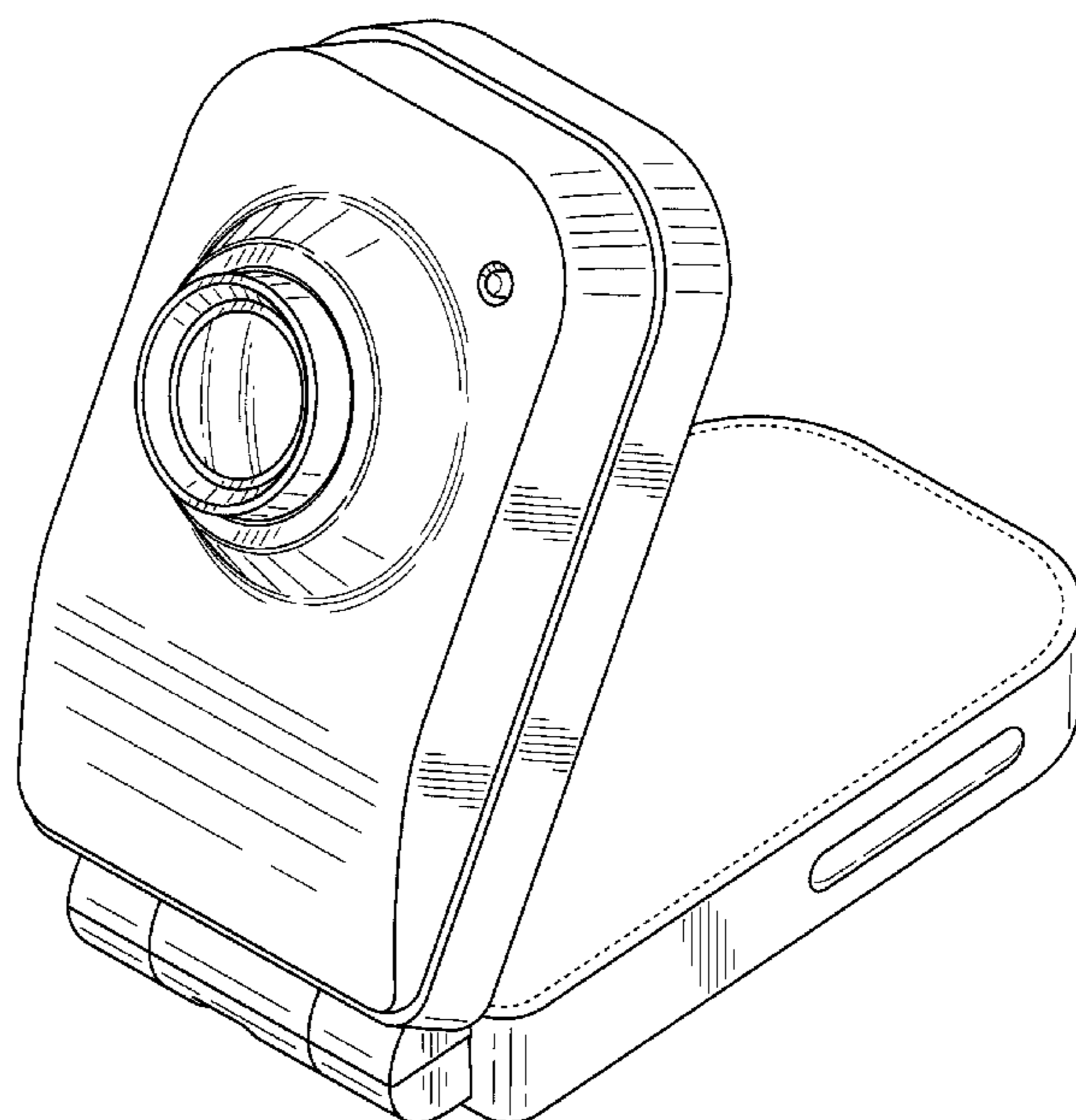
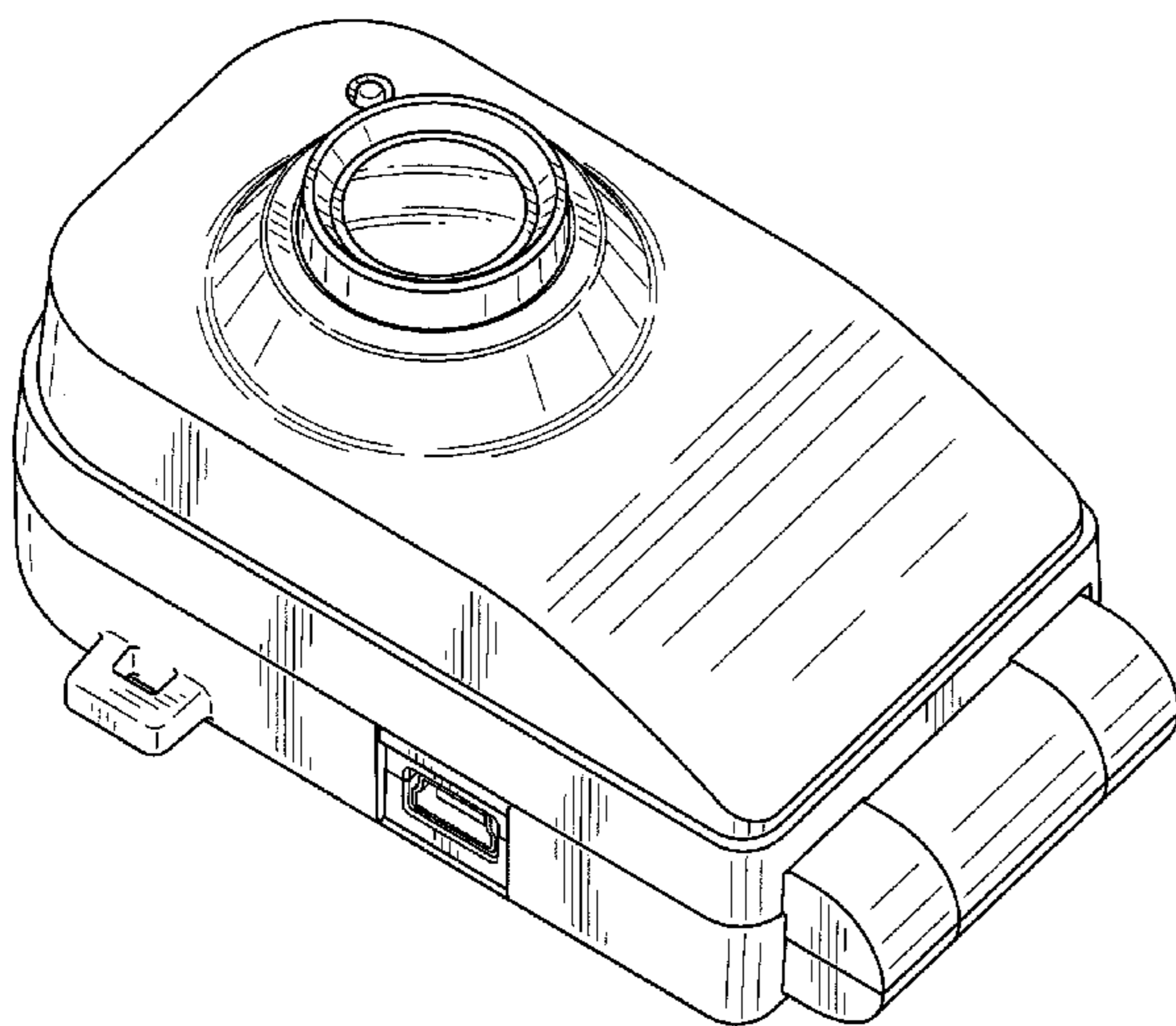
We claim the ornamental design for a camera for projector, as shown and described.

DESCRIPTION

FIG. 1 is a front, top and right side perspective view of a camera for projector showing our new design;
FIG. 2 is a front elevational view thereof;
FIG. 3 is a rear elevational view thereof;
FIG. 4 is a left side elevational view thereof;
FIG. 5 is a right side elevational view thereof;
FIG. 6 is a top plan view thereof;
FIG. 7 is a bottom plan view thereof; and,
FIG. 8 is a front, top, left side perspective view of opened condition thereof.

The broken lines in the FIGS. 3 and 8 is included for the purpose of illustrating portion of the camera for projector that form no part of the claimed design.

1 Claim, 5 Drawing Sheets



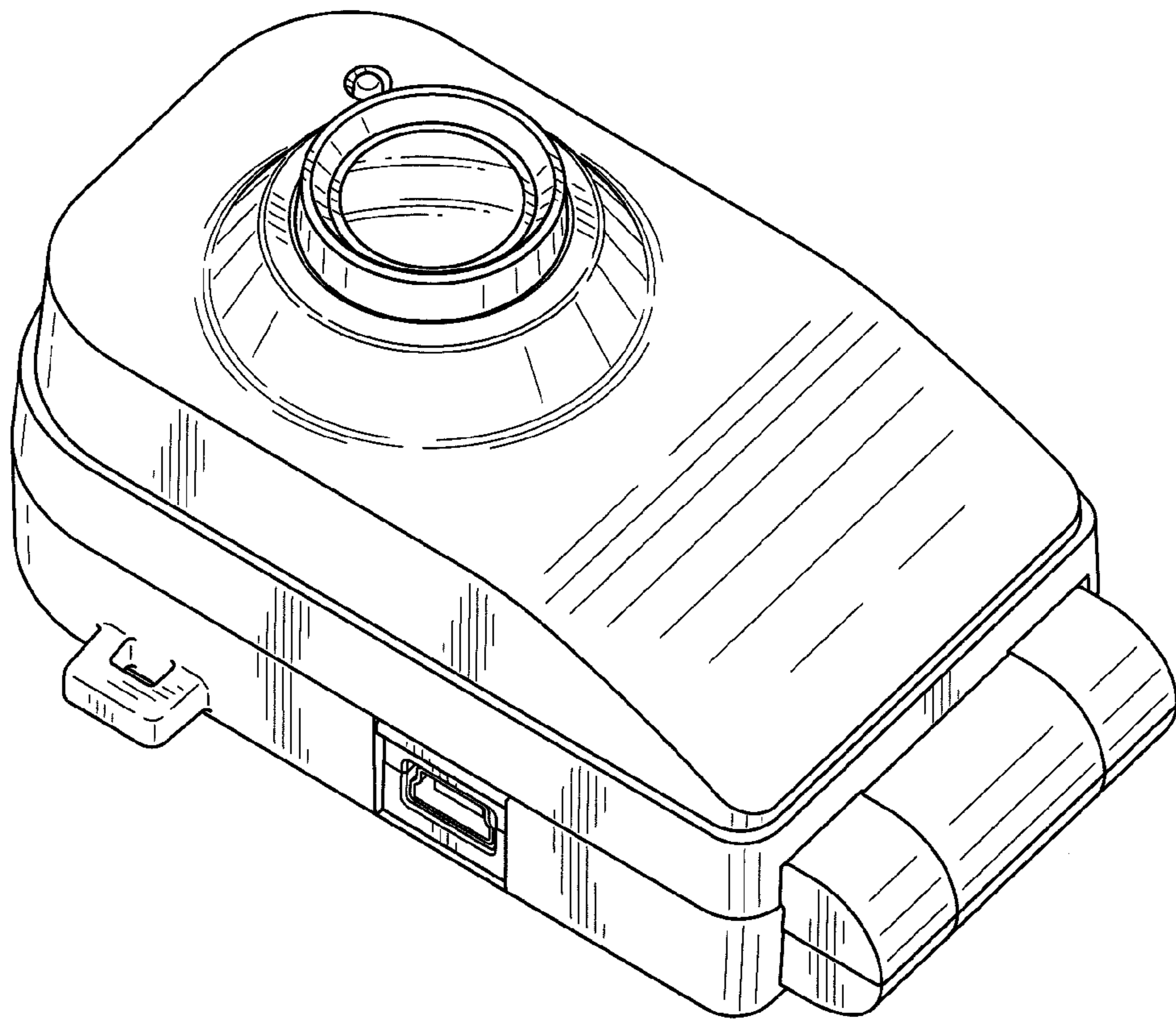


FIG. 1

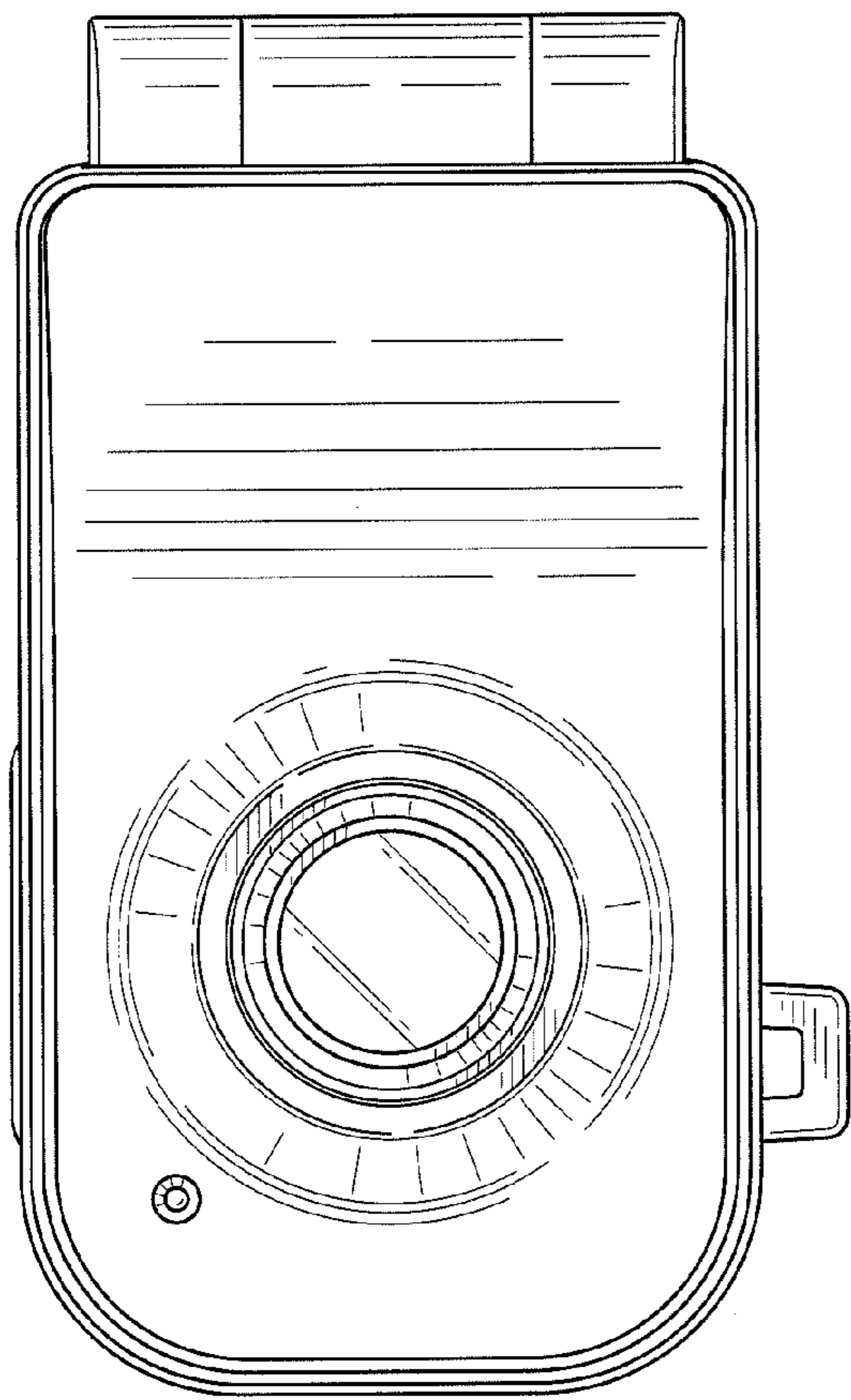


FIG. 2

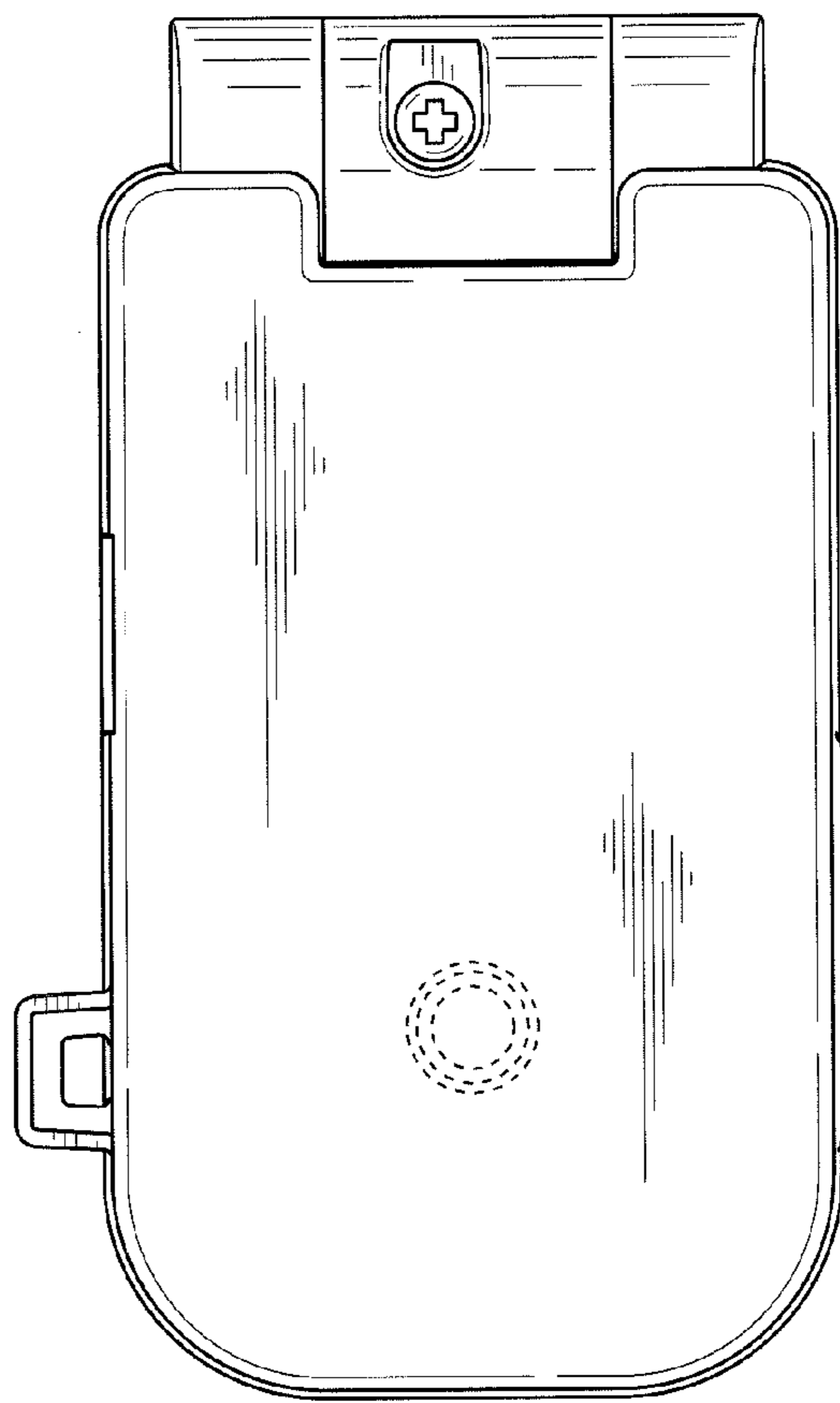


FIG. 3

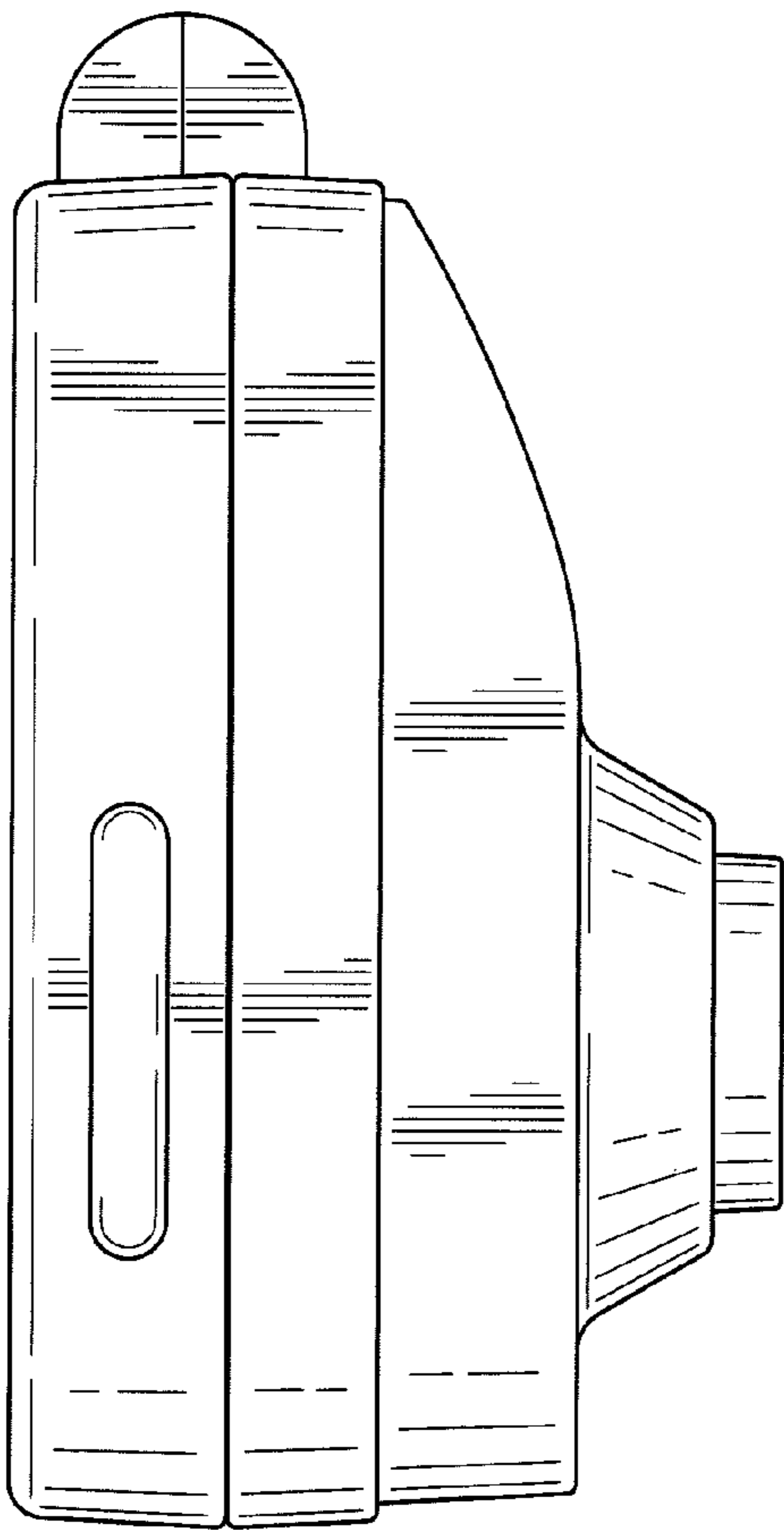


FIG. 4

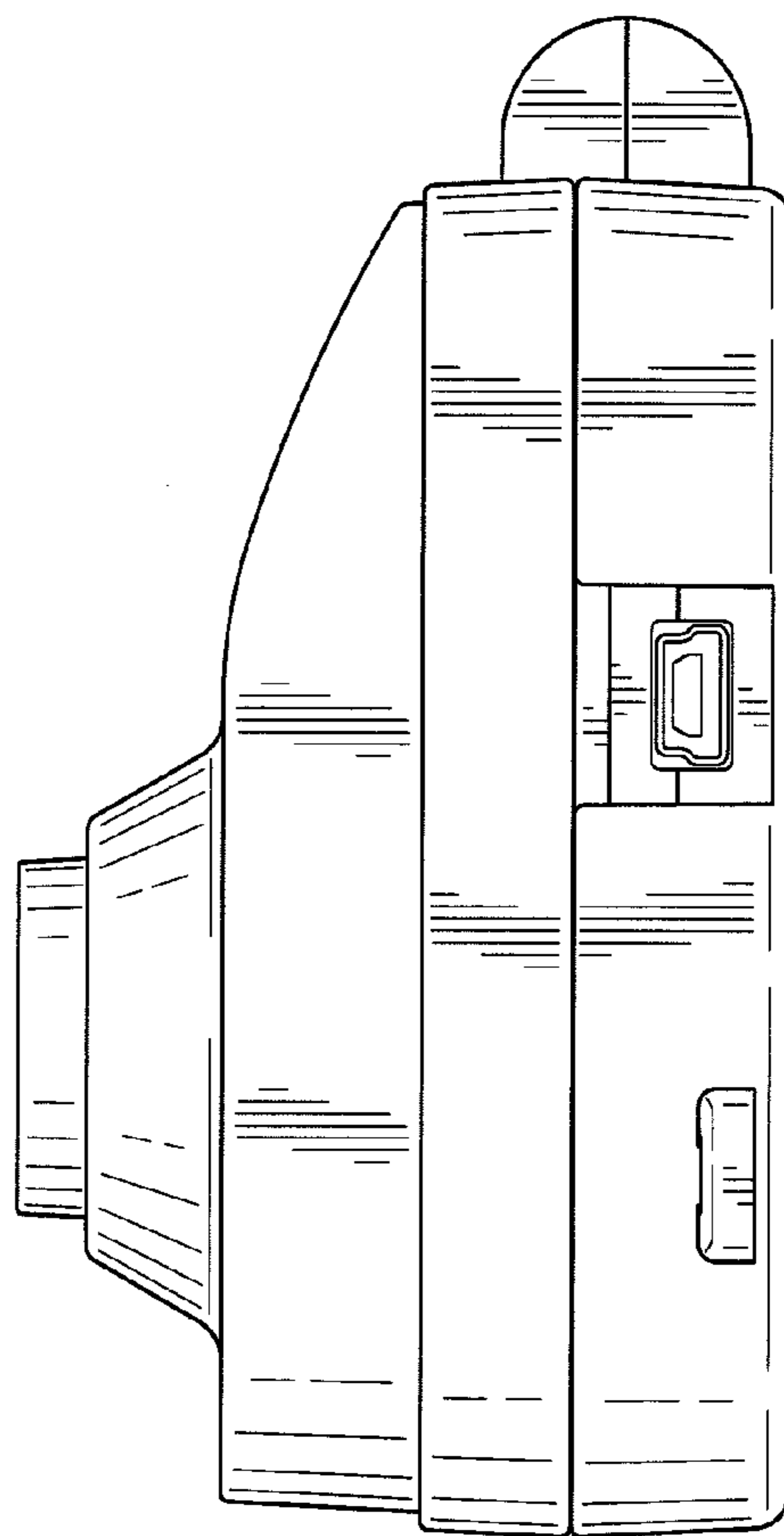


FIG. 5

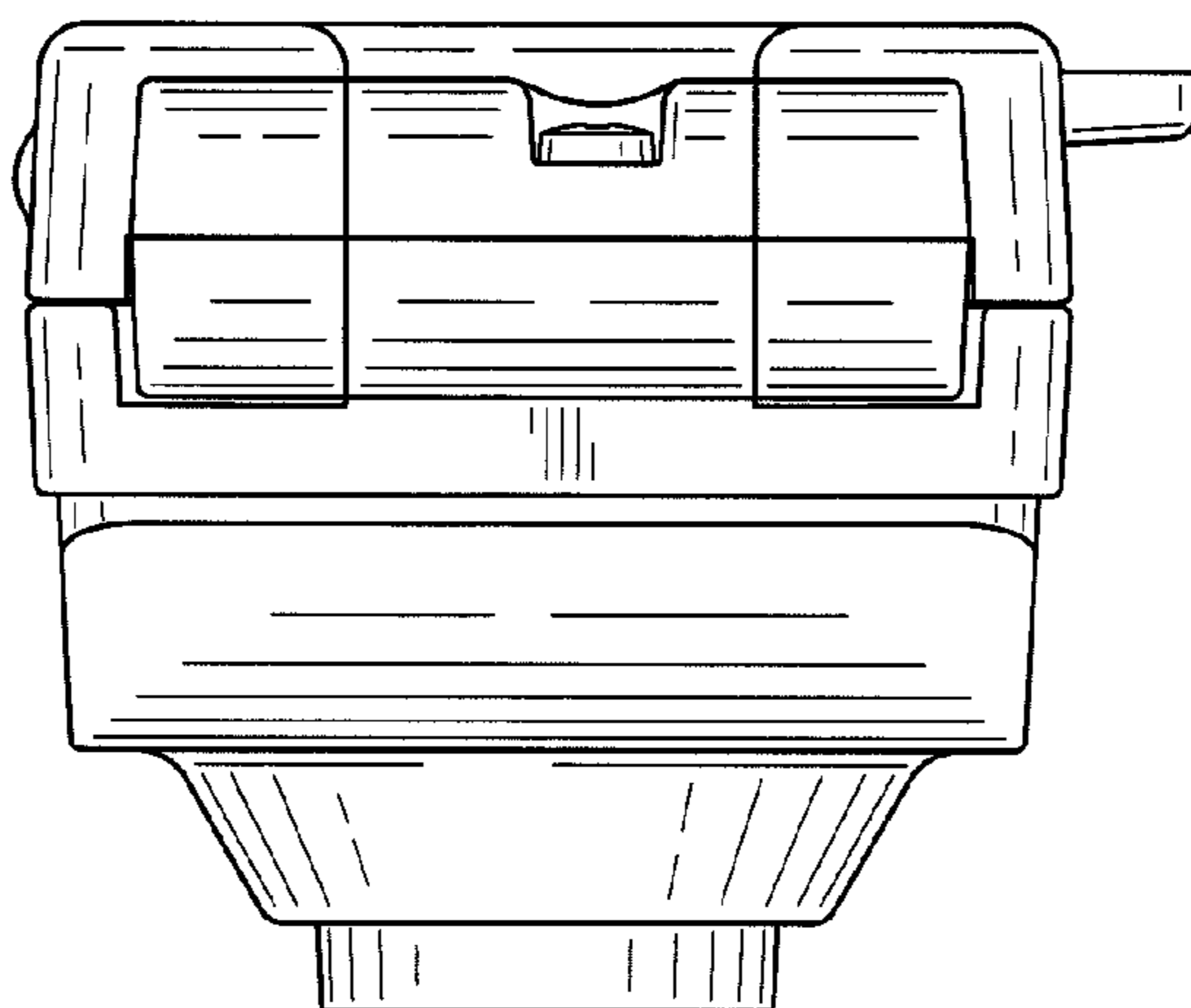


FIG. 6

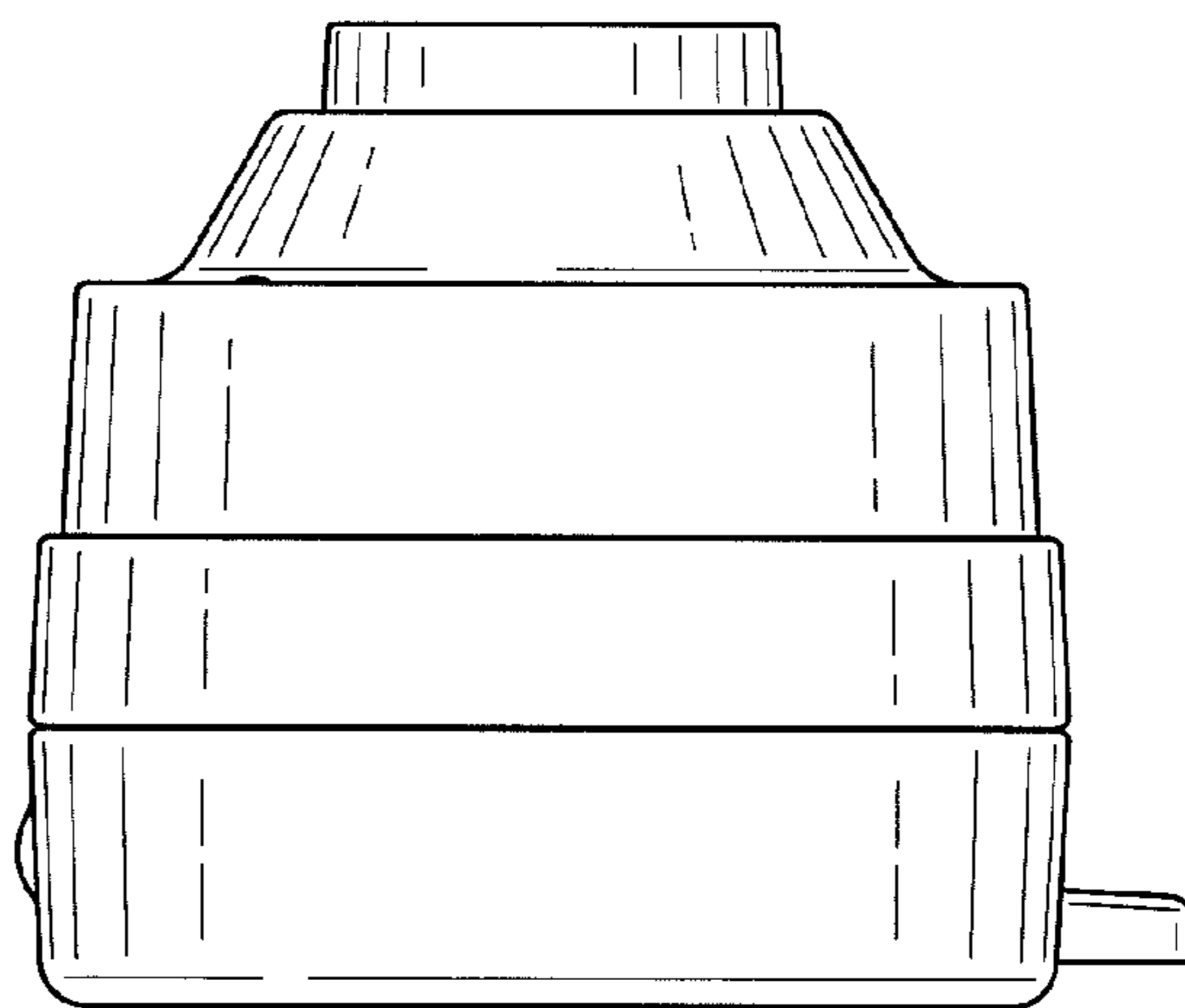


FIG. 7

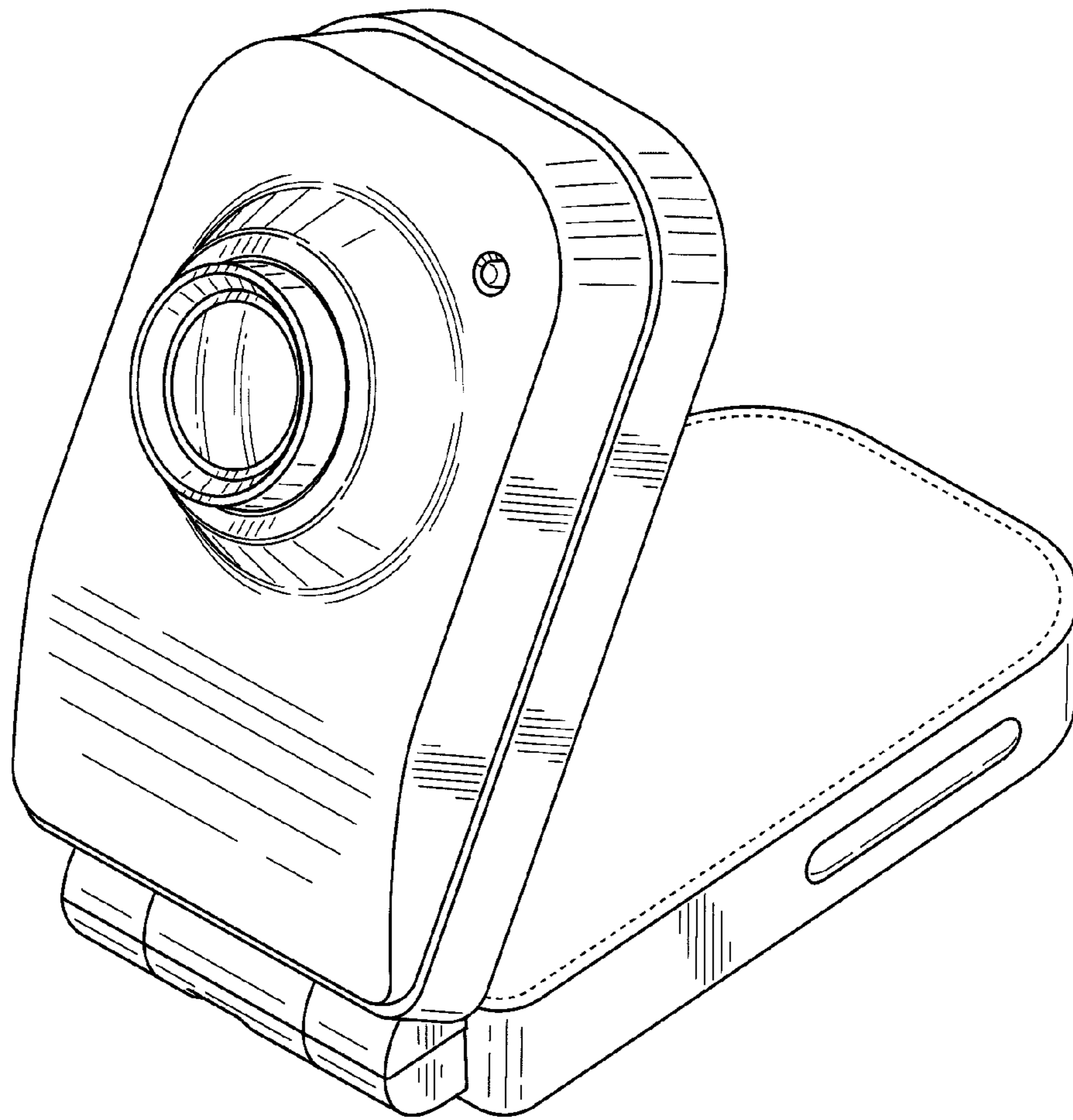


FIG. 8