



US00D692472S

(12) **United States Design Patent**  
**Samuels et al.**

(10) **Patent No.:** **US D692,472 S**  
(45) **Date of Patent:** **\*\* Oct. 29, 2013**

(54) **LENS ADAPTER**

(71) Applicants: **Rudy Lucas Samuels**, Mill Valley, CA (US); **Nicholas D. Woodman**, Sausalito, CA (US); **William Drew Atkinson**, San Francisco, CA (US); **Fred Bould**, Menlo Park, CA (US); **Kristen Beck**, San Mateo, CA (US)

(72) Inventors: **Rudy Lucas Samuels**, Mill Valley, CA (US); **Nicholas D. Woodman**, Sausalito, CA (US); **William Drew Atkinson**, San Francisco, CA (US); **Fred Bould**, Menlo Park, CA (US); **Kristen Beck**, San Mateo, CA (US)

(73) Assignee: **Woodman Labs, Inc.**, San Mateo, CA (US)

(\*\*) Term: **14 Years**

(21) Appl. No.: **29/434,194**

(22) Filed: **Oct. 10, 2012**

(51) **LOC (9) Cl.** ..... **16-06**

(52) **U.S. Cl.**  
USPC ..... **D16/136**

(58) **Field of Classification Search**  
USPC ..... D16/134, 136, 130, 219; 359/808, 815, 359/819, 826, 827, 828; 396/529, 530, 531, 396/544, 545  
See application file for complete search history.

(56) **References Cited**

**U.S. PATENT DOCUMENTS**

D141,692 S *	6/1945	Nemeth	.....	D16/136
2,866,397 A *	12/1958	Gillette	.....	396/337
3,067,664 A *	12/1962	Winslow	.....	396/353
3,454,323 A *	7/1969	Dierks et al.	.....	359/612
3,633,472 A *	1/1972	Meyncke et al.	.....	396/337
4,053,910 A *	10/1977	Bodnar	.....	396/337
4,357,090 A *	11/1982	Araki	.....	396/227

D272,745 S *	2/1984	Feinbloom et al.	.....	D16/130
D319,246 S *	8/1991	Shinano	.....	D16/134
5,040,011 A *	8/1991	Tiffen	.....	396/544
5,050,963 A *	9/1991	Murakami	.....	359/808
5,053,794 A *	10/1991	Benz	.....	396/432
5,194,988 A *	3/1993	Flother et al.	.....	359/554
D352,049 S *	11/1994	Burr et al.	.....	D16/130
5,517,363 A *	5/1996	Suzuki et al.	.....	359/819
D387,787 S *	12/1997	Palmer	.....	D16/130
5,781,351 A *	7/1998	Murakami et al.	.....	359/808
6,011,661 A *	1/2000	Weng	.....	359/819
D421,032 S *	2/2000	Oka	.....	D16/136
6,480,346 B2 *	11/2002	Funakoshi	.....	359/808
6,545,825 B2 *	4/2003	Shoji et al.	.....	359/819
7,037,007 B2 *	5/2006	Ohmori et al.	.....	396/448
D537,462 S *	2/2007	Tokiwa et al.	.....	D16/219
7,706,088 B2 *	4/2010	Chung	.....	359/823
D649,970 S *	12/2011	Lyford et al.	.....	D14/433

\* cited by examiner

*Primary Examiner* — Paula Greene

(74) *Attorney, Agent, or Firm* — Fenwick & West LLP

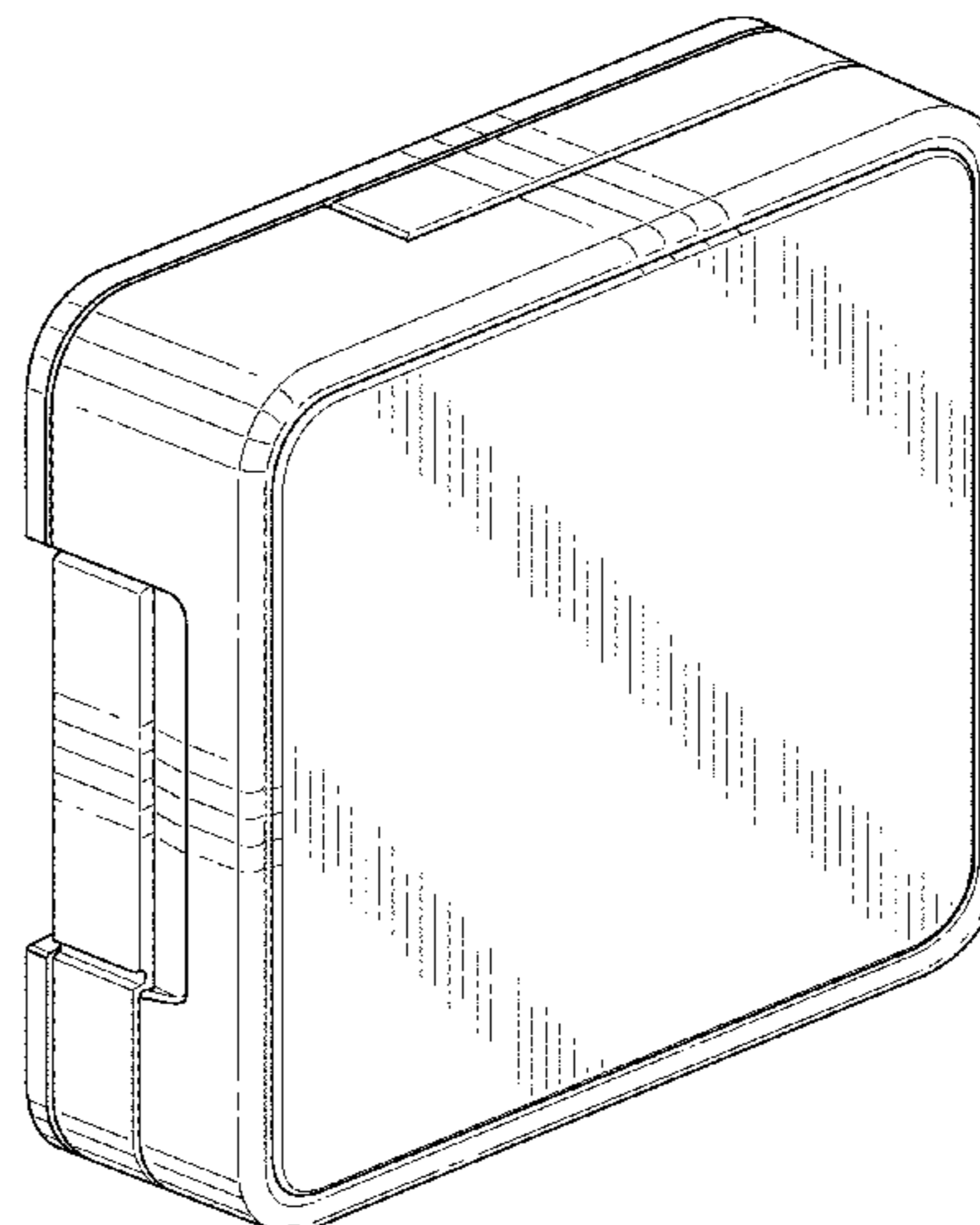
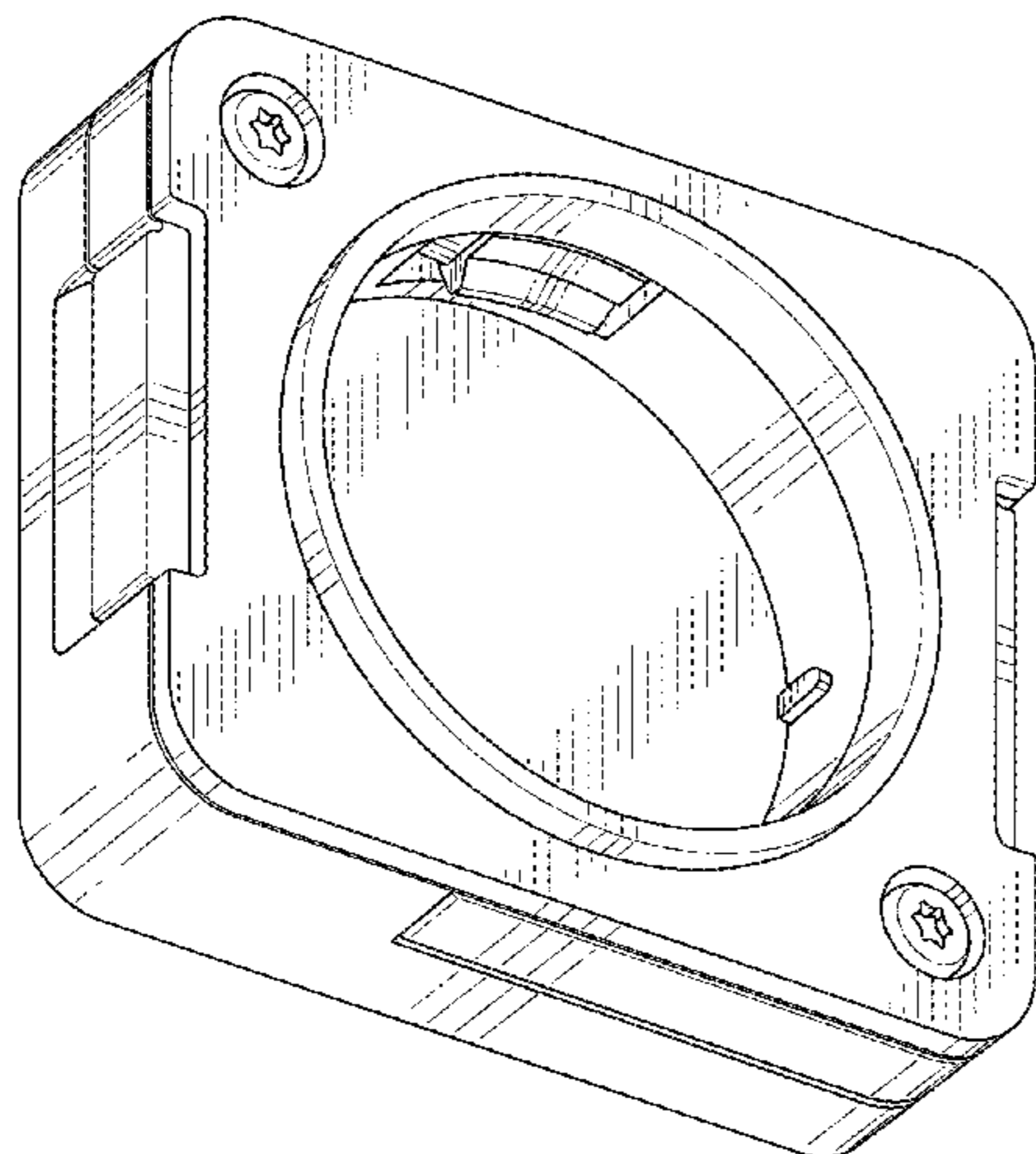
(57) **CLAIM**

The ornamental design for a lens adapter, as shown and described.

**DESCRIPTION**

FIG. 1 is a front, top and right side perspective view of a lens adapter showing our new design according to a first embodiment;  
FIG. 2 is a front, bottom and left side perspective view thereof;  
FIG. 3 is a rear, top and right side perspective view thereof;  
FIG. 4 is a front elevational view thereof;  
FIG. 5 is a rear elevational view thereof;  
FIG. 6 is a top plan view thereof;  
FIG. 7 is a bottom plan view thereof;  
FIG. 8 is a right side elevational view thereof; and,  
FIG. 9 is a left side elevational view thereof.  
The broken lines in the drawings showing portions of the lens adapter are included for the purpose of illustrating environmental structure and form no part of the claimed design.

**1 Claim, 7 Drawing Sheets**



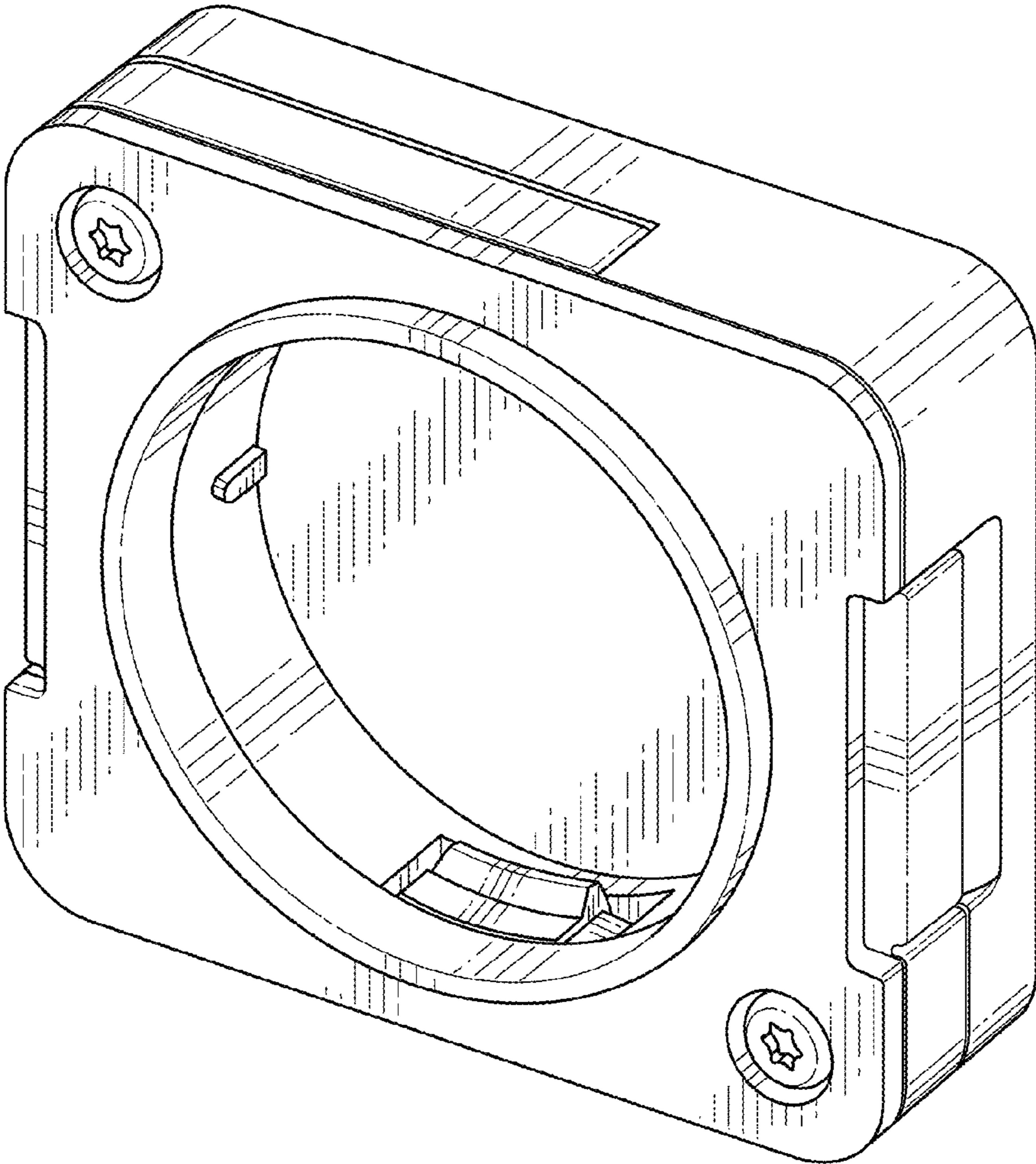


FIG. 1

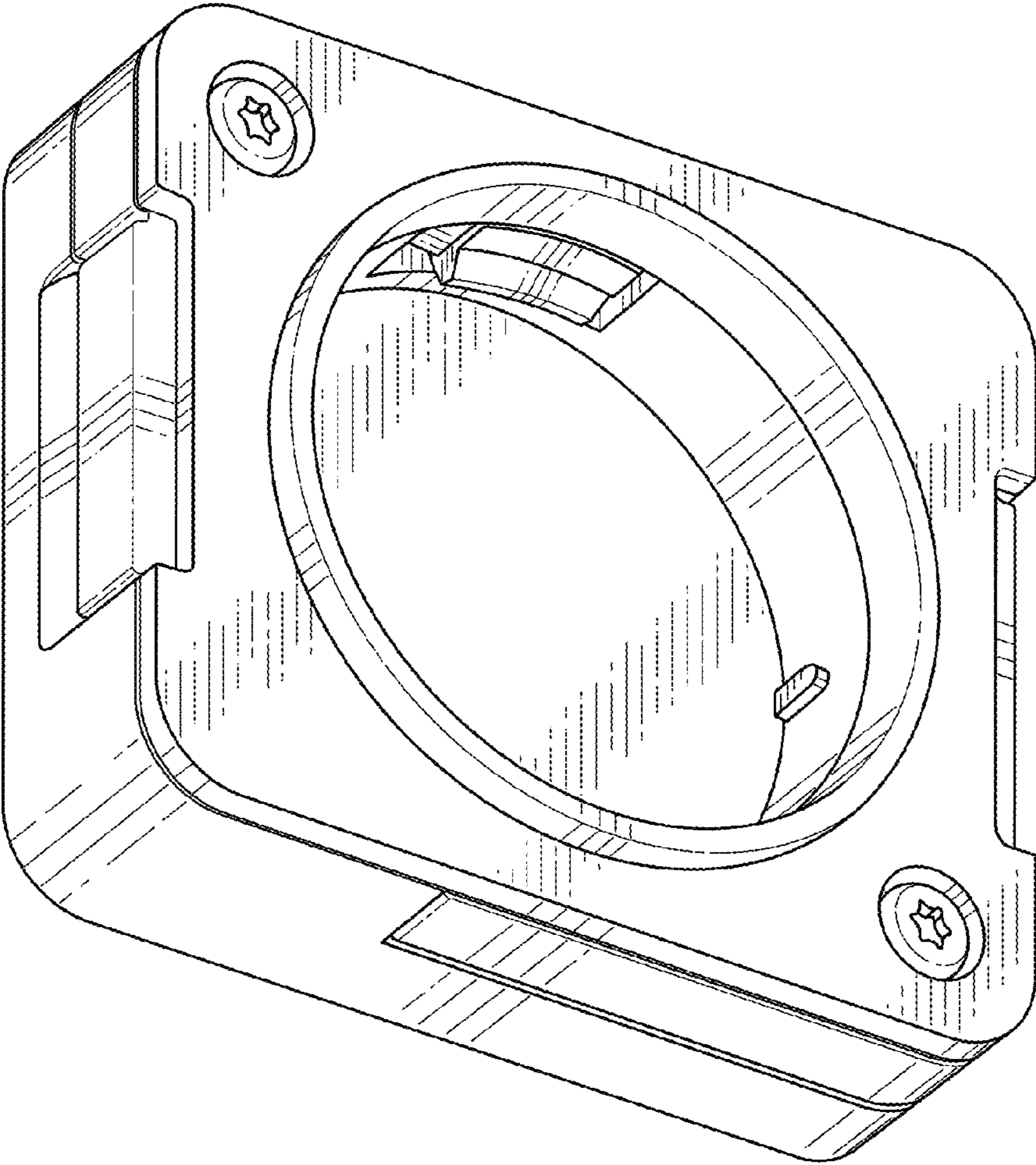


FIG. 2

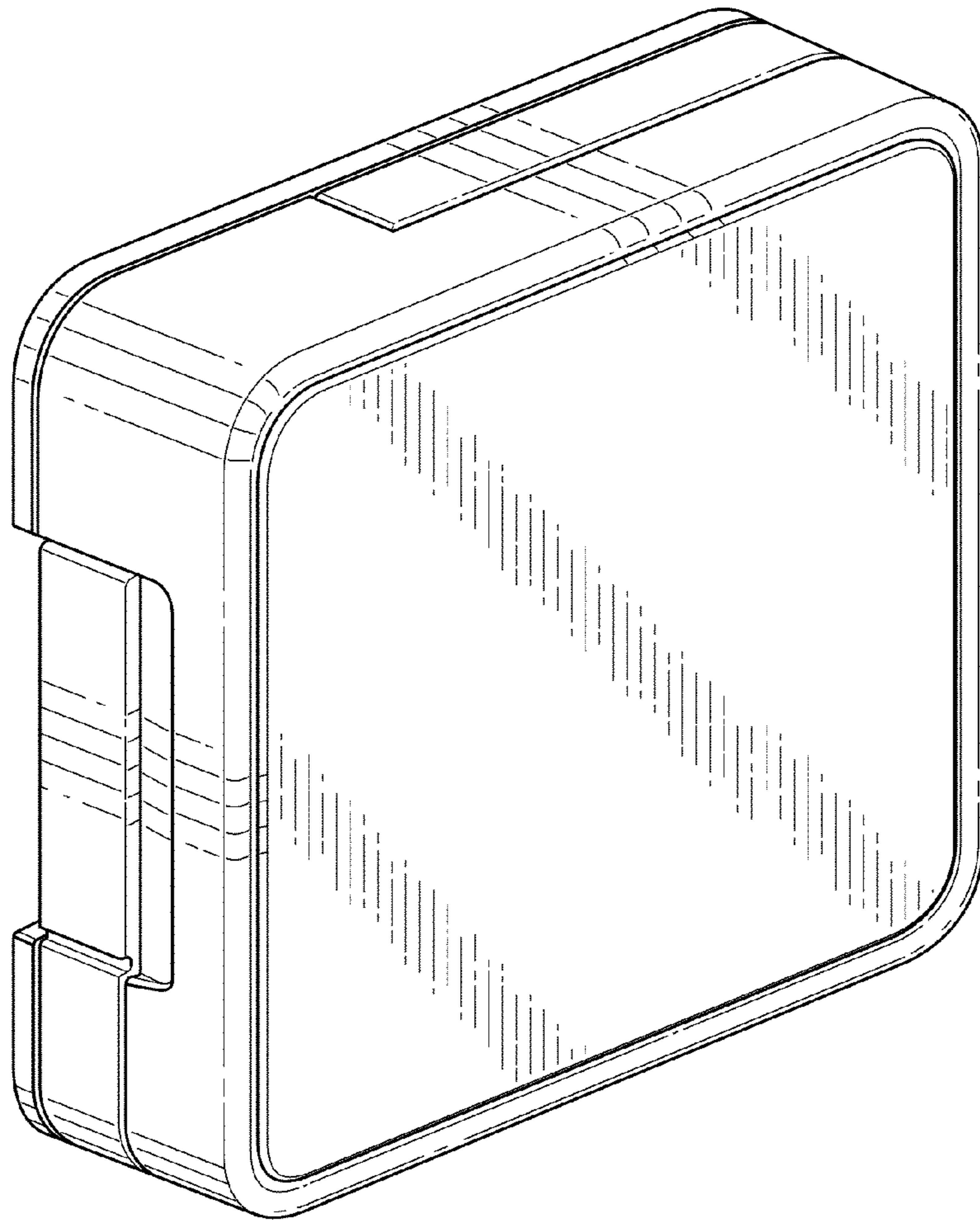


FIG. 3

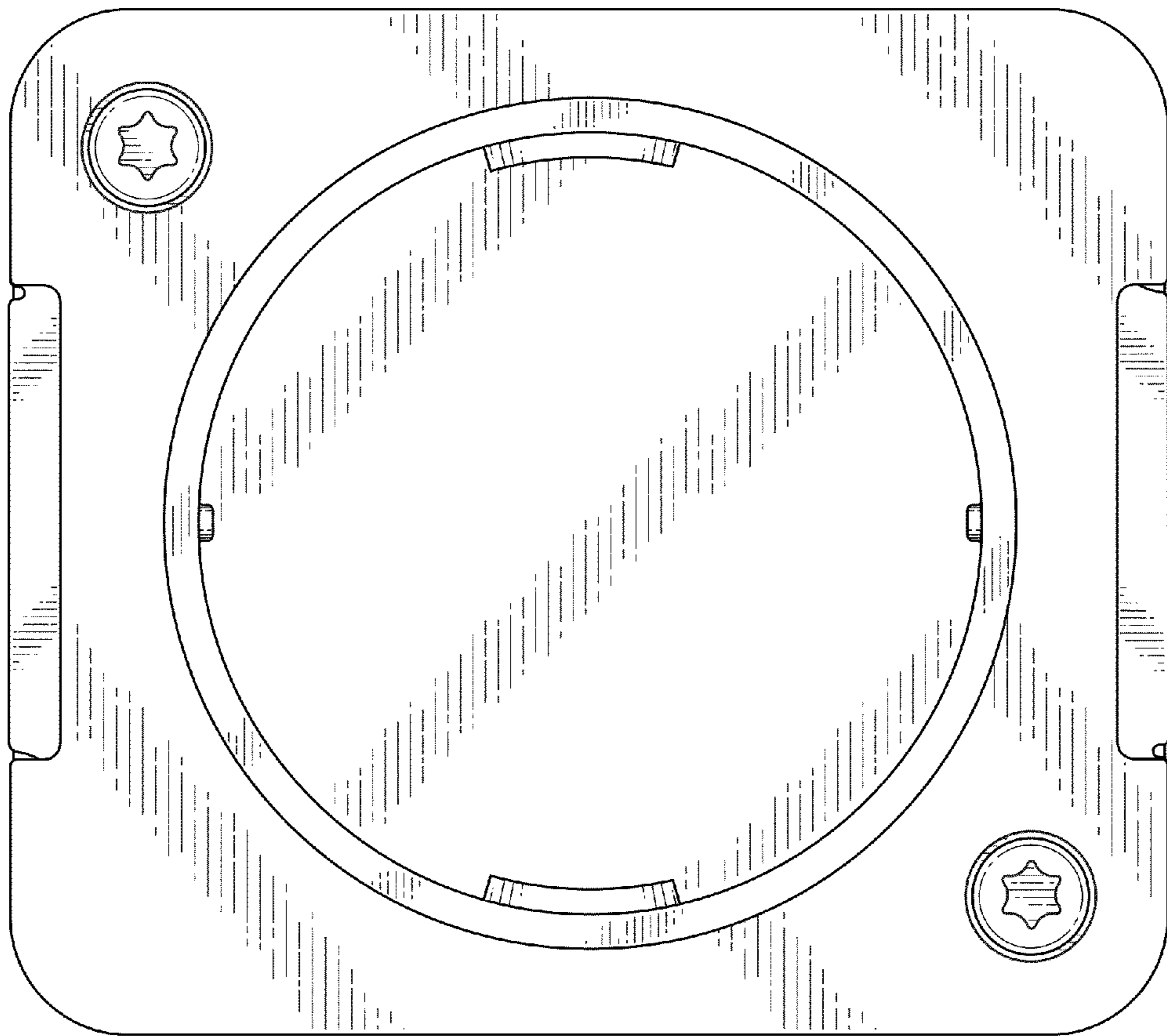


FIG. 4

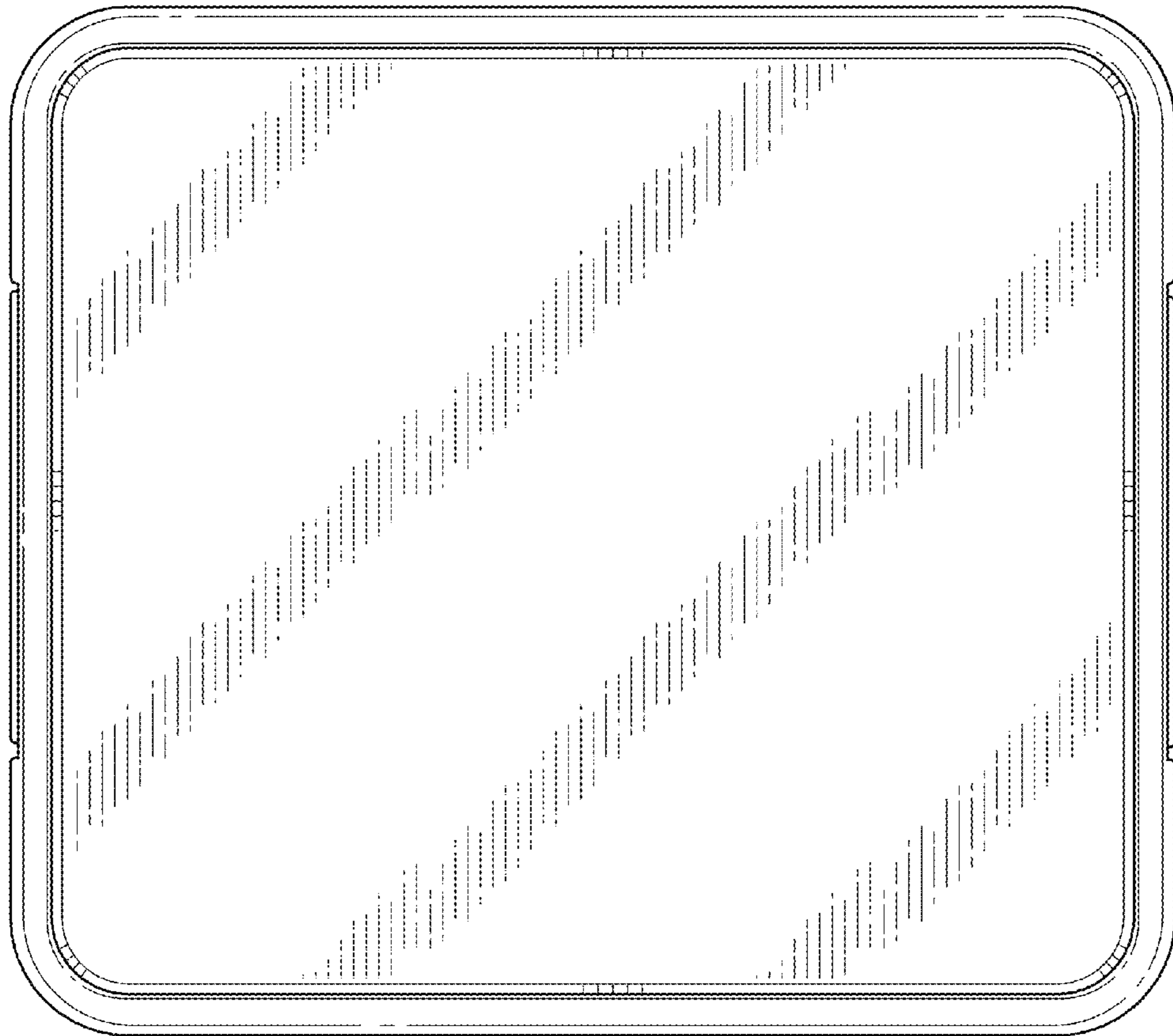


FIG. 5

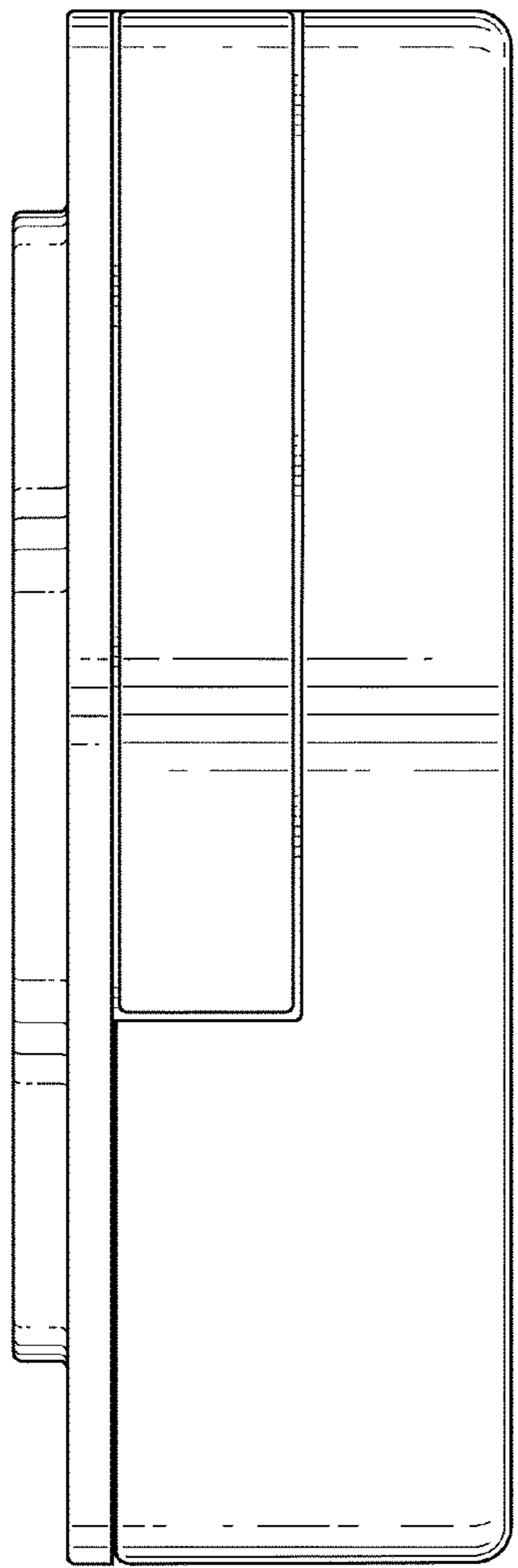


FIG. 6

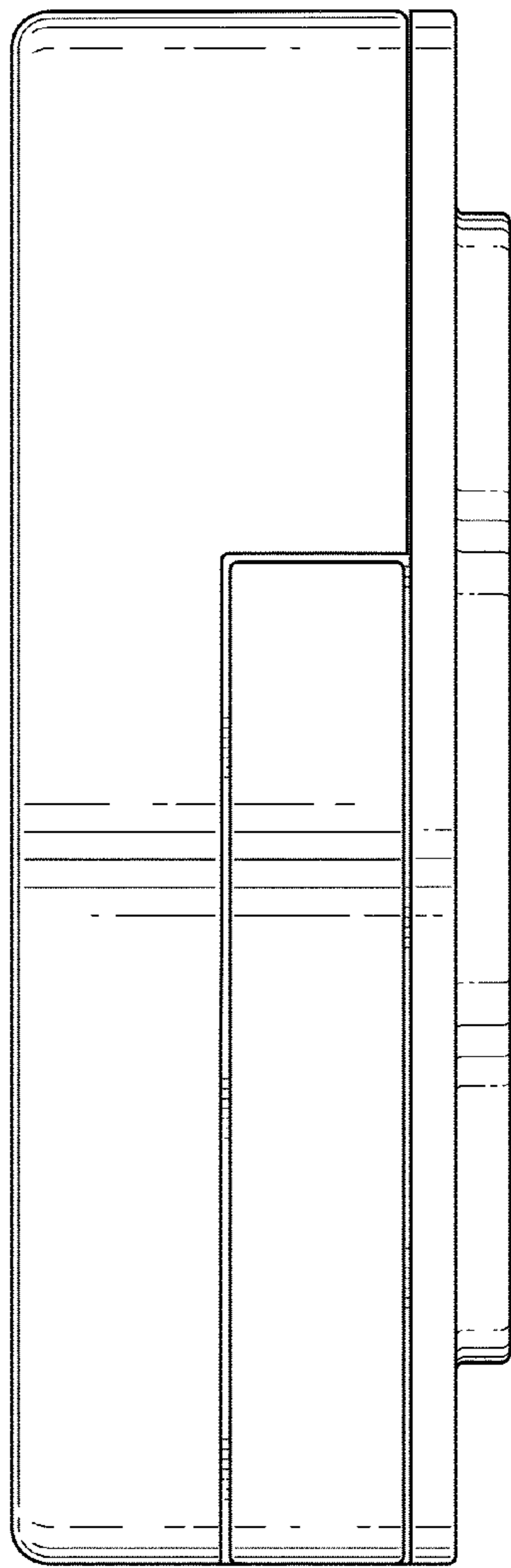


FIG. 7

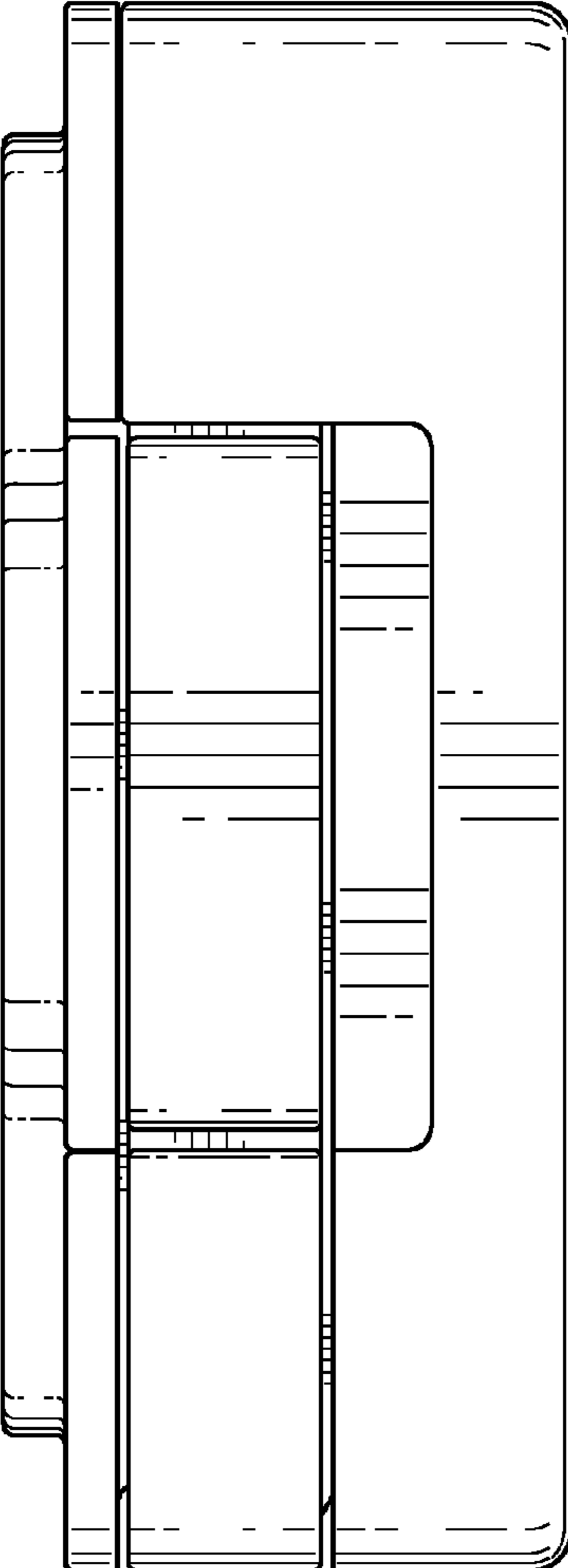


FIG. 8

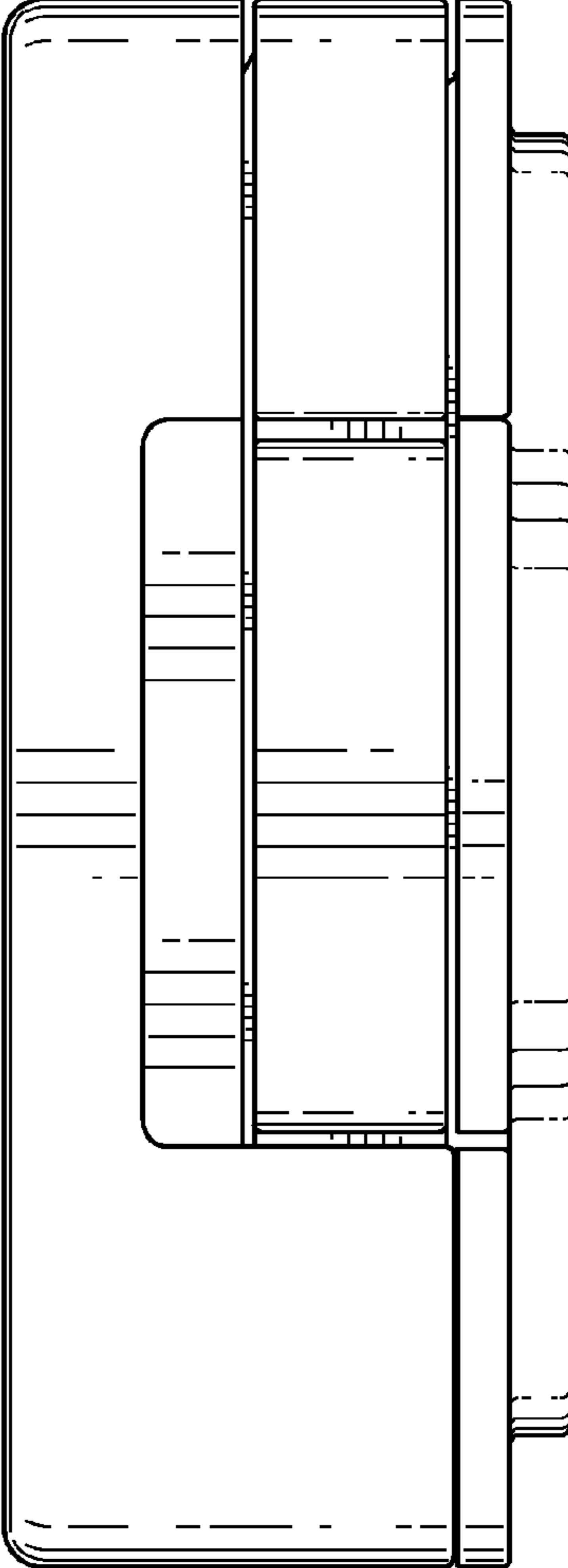


FIG. 9