



US00D692471S

(12) **United States Design Patent**  
**Minonishi et al.**

(10) **Patent No.:** **US D692,471 S**

(45) **Date of Patent:** **\*\* Oct. 29, 2013**

(54) **ELECTRODE FOR A PLASMA TORCH**

(75) Inventors: **Mikio Minonishi**, Hiratsuka (JP);  
**Katsuo Saio**, Hiratsuka (JP); **Kazunori**  
**Tsunekawa**, Hiratsuka (JP); **Shigeo**  
**Morimoto**, Yokohama (JP); **Yoshihiro**  
**Yamaguchi**, Nomi (JP)

(73) Assignees: **Komatsu Ltd.** (JP); **Komatsu**  
**Industries Corp.** (JP)

(\*\*) Term: **14 Years**

(21) Appl. No.: **29/401,582**

(22) Filed: **Sep. 13, 2011**

(30) **Foreign Application Priority Data**

Mar. 17, 2011 (JP) ..... 2011-006147  
Mar. 17, 2011 (JP) ..... 2011-006148  
Mar. 17, 2011 (JP) ..... 2011-006149

(51) **LOC (9) Cl.** ..... **15-09**

(52) **U.S. Cl.**  
USPC ..... **D15/144**

(58) **Field of Classification Search**  
USPC ..... D15/139, 144-144.2;  
219/121.44-121.5; 313/231.31  
See application file for complete search history.

(56) **References Cited**

**U.S. PATENT DOCUMENTS**

D420,374 S \* 2/2000 Zigliotto ..... D15/144  
D505,963 S \* 6/2005 Conway et al. .... D15/139  
D517,576 S \* 3/2006 Conway et al. .... D15/144  
D522,026 S \* 5/2006 Colson, Jr. .... D15/144  
D527,401 S \* 8/2006 Mizuno et al. .... D15/144  
D580,960 S \* 11/2008 Yamaguchi et al. .... D15/144  
D582,950 S \* 12/2008 Yamaguchi et al. .... D15/144

\* cited by examiner

*Primary Examiner* — Patricia Palasik

(74) *Attorney, Agent, or Firm* — Fox Rothschild LLP

(57) **CLAIM**

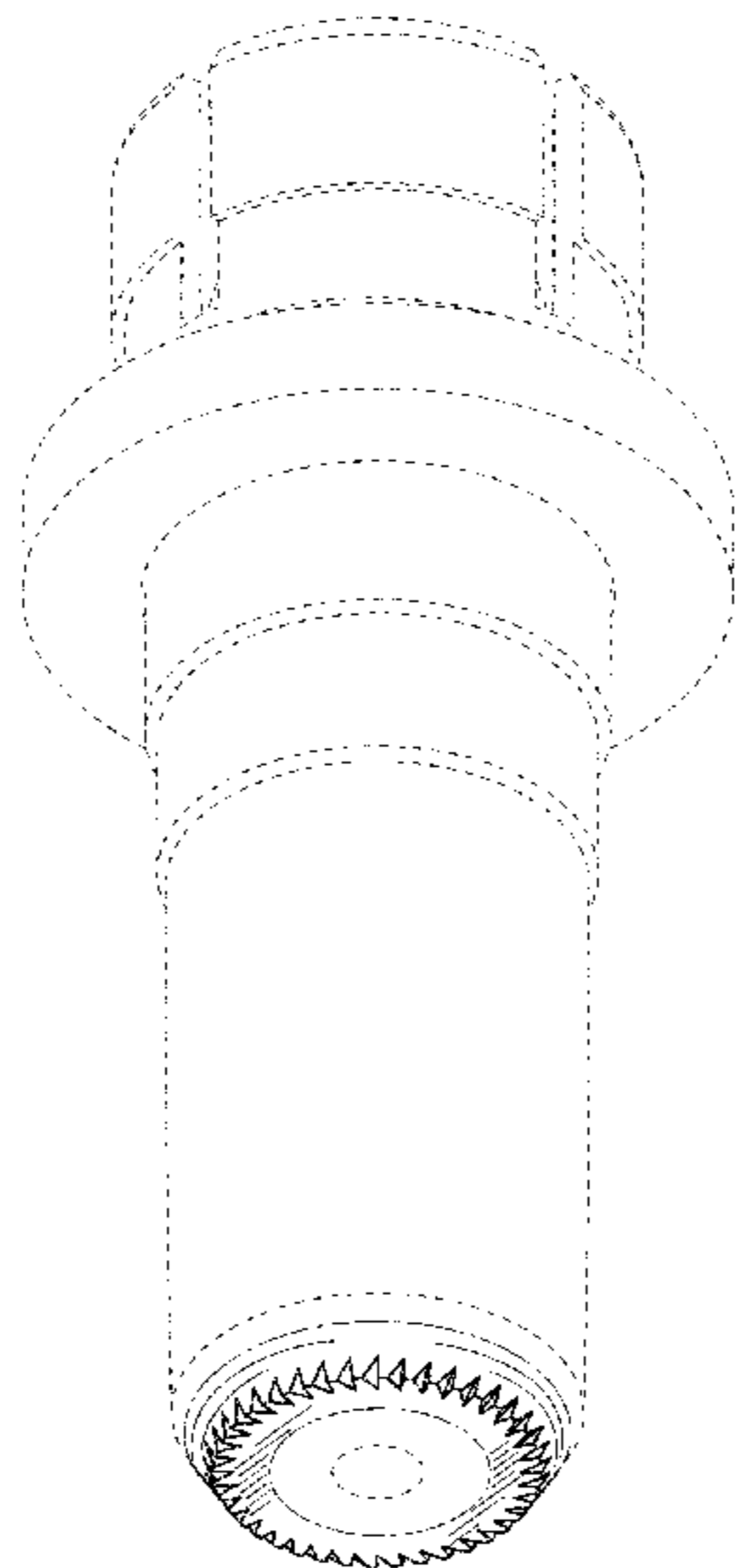
The ornamental design for an electrode for a plasma torch, as shown and described.

**DESCRIPTION**

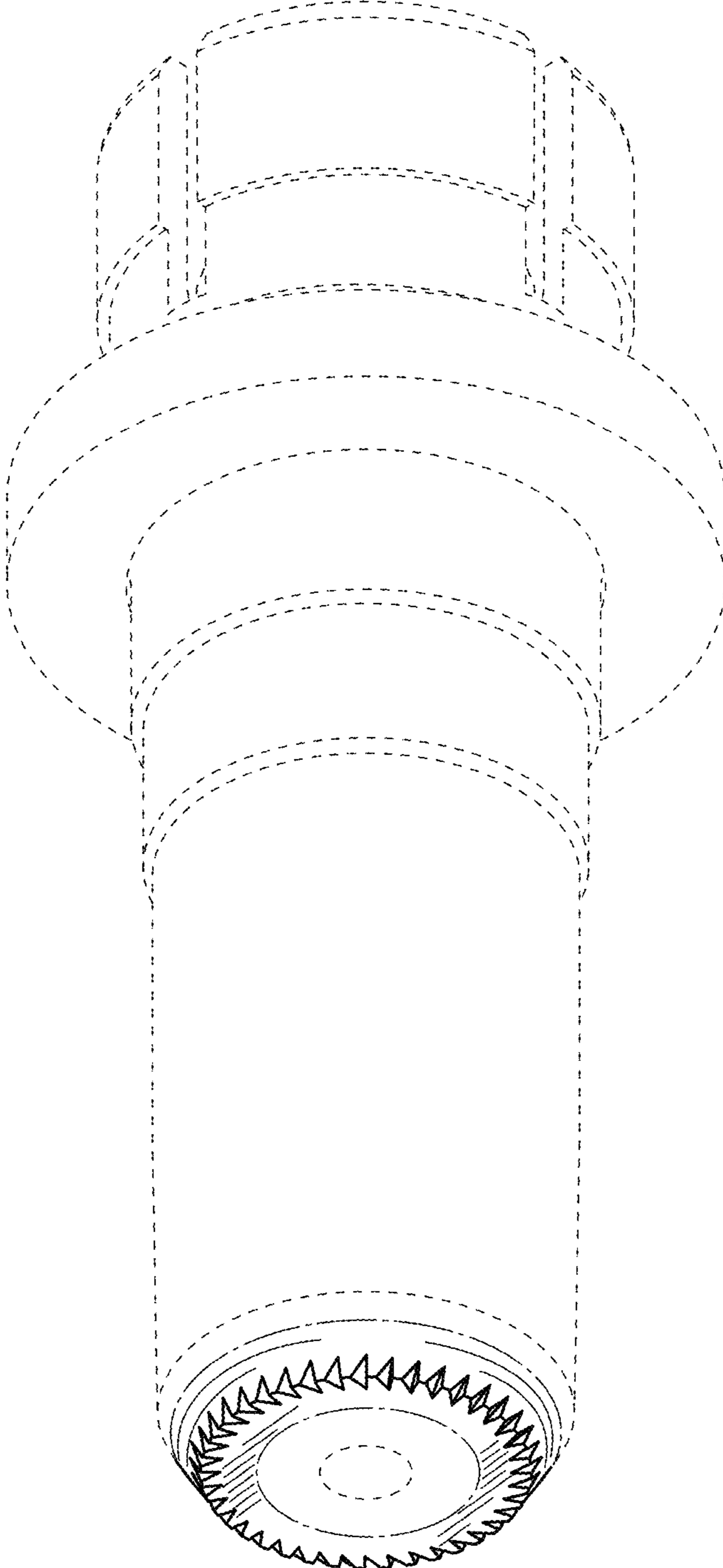
FIG. 1 is a perspective view of a first embodiment of an electrode for a plasma torch showing our new design; FIG. 2 is a front view thereof, the rear view, the right side elevational view and the left side elevational view being identical; FIG. 3 is a top plan view thereof; FIG. 4 is a bottom plan view thereof; FIG. 5 is a cross-sectional view taken along line 5-5 in FIG. 2; FIG. 6 is a perspective view of a second embodiment of an electrode for a plasma torch showing our new design; FIG. 7 is a front view thereof, the rear view, the right side elevational view and the left side elevational view being identical; FIG. 8 is a top plan view thereof; FIG. 9 is a bottom plan view thereof; FIG. 10 is a cross-sectional view taken along line 10-10 in FIG. 7; FIG. 11 is a perspective view of a third embodiment of an electrode for a plasma torch showing our new design; FIG. 12 is a front view thereof the rear view, the right side elevational view and the left side elevational view being identical; FIG. 13 is a top plan view thereof; FIG. 14 is a bottom plan view thereof; and, FIG. 15 is a cross-sectional view taken along line 15-15 in FIG. 12.

The features shown in broken lines in the drawings depict environmental subject matter only and form no part of the claimed design. The dot-dashed lines denote the boundary of the claim, and form no part of the claimed design.

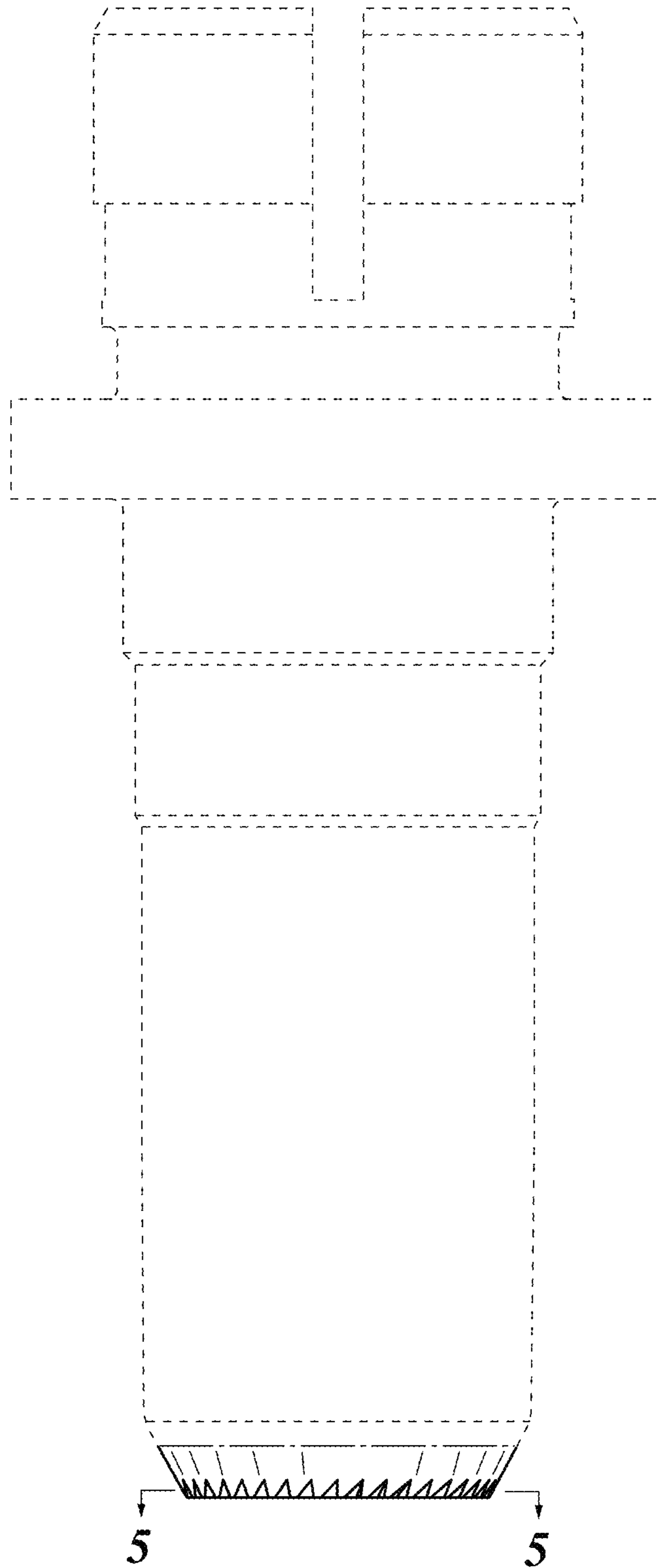
**1 Claim, 15 Drawing Sheets**



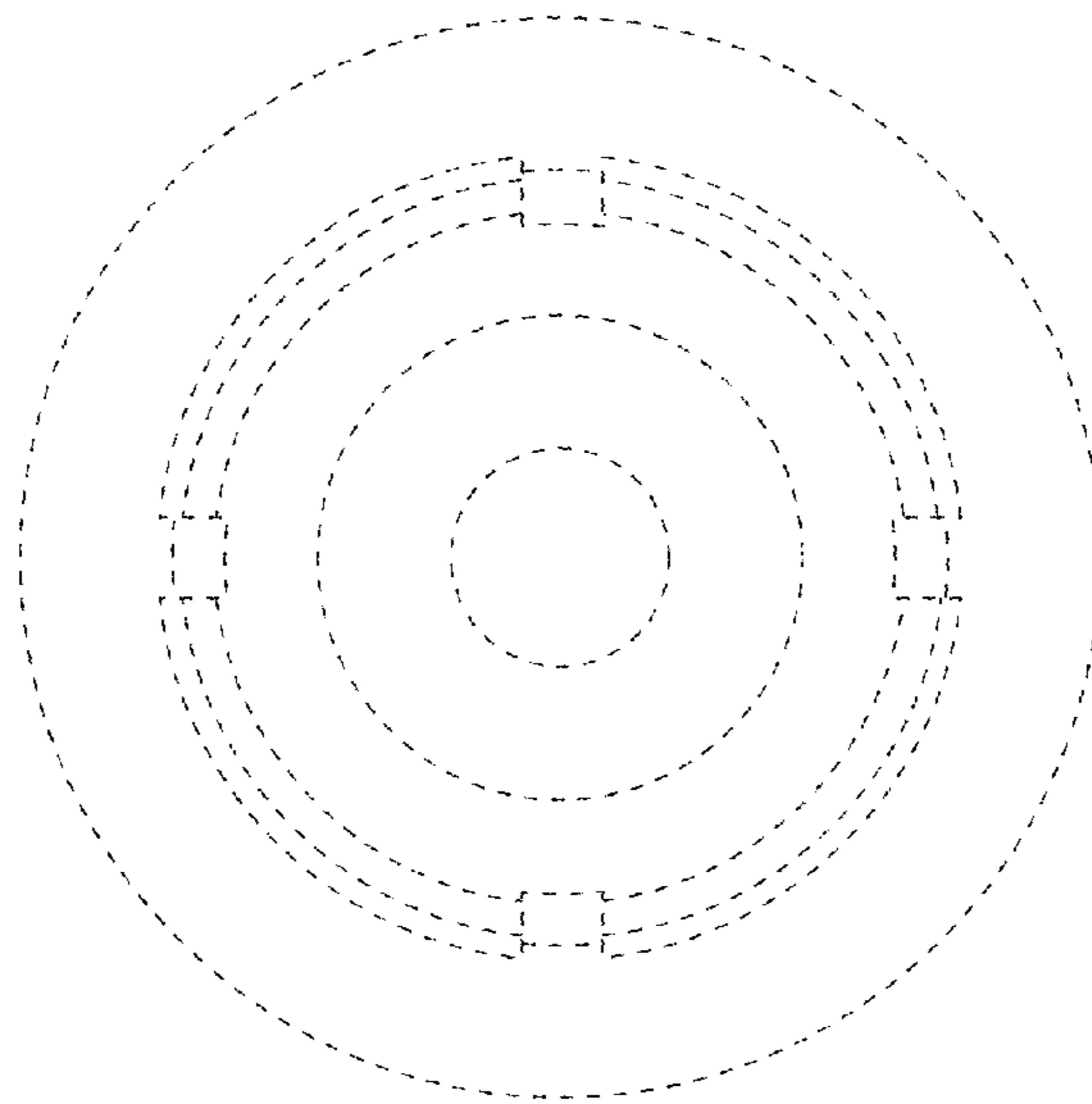
**FIG. 1**



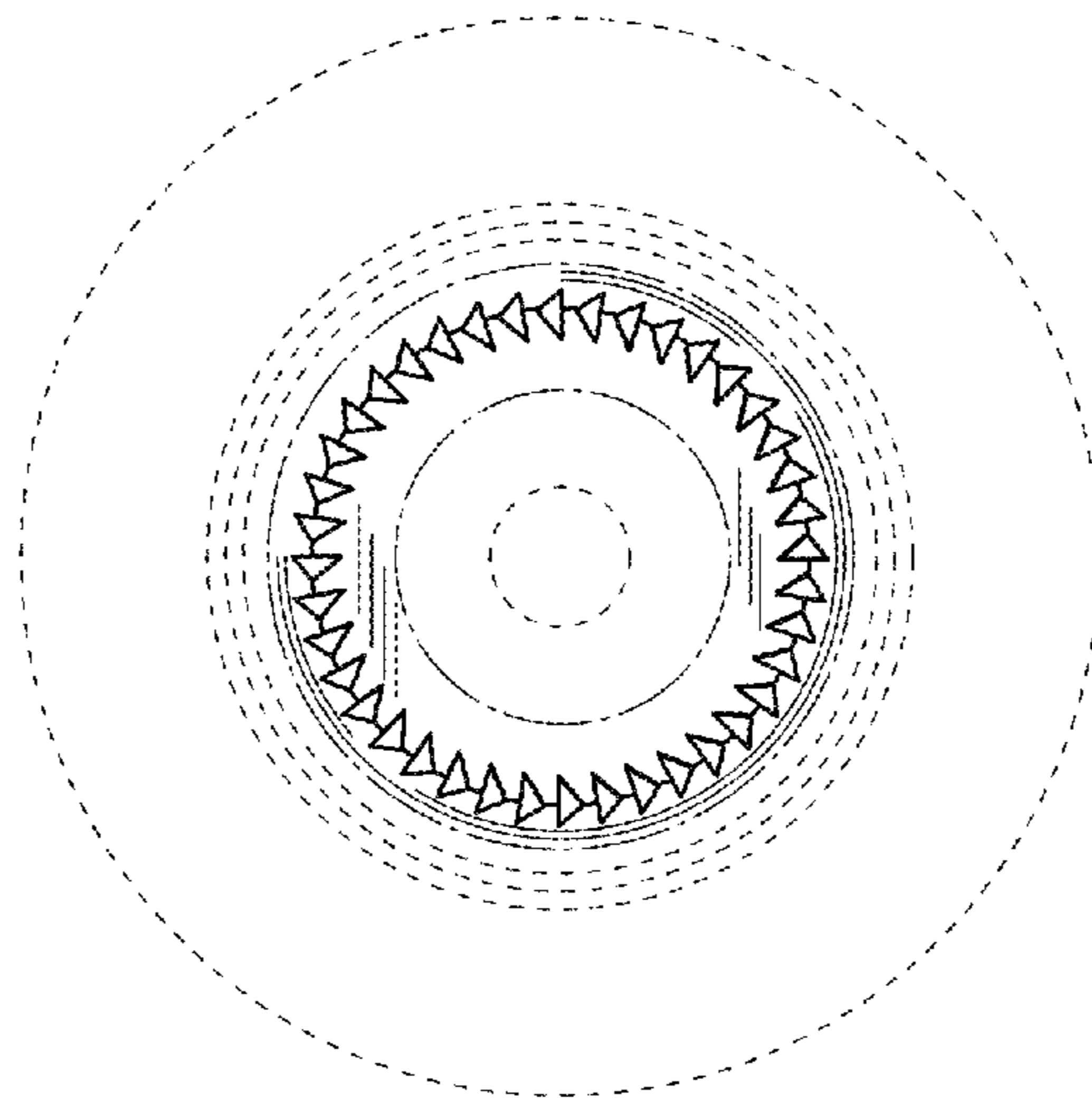
**FIG. 2**



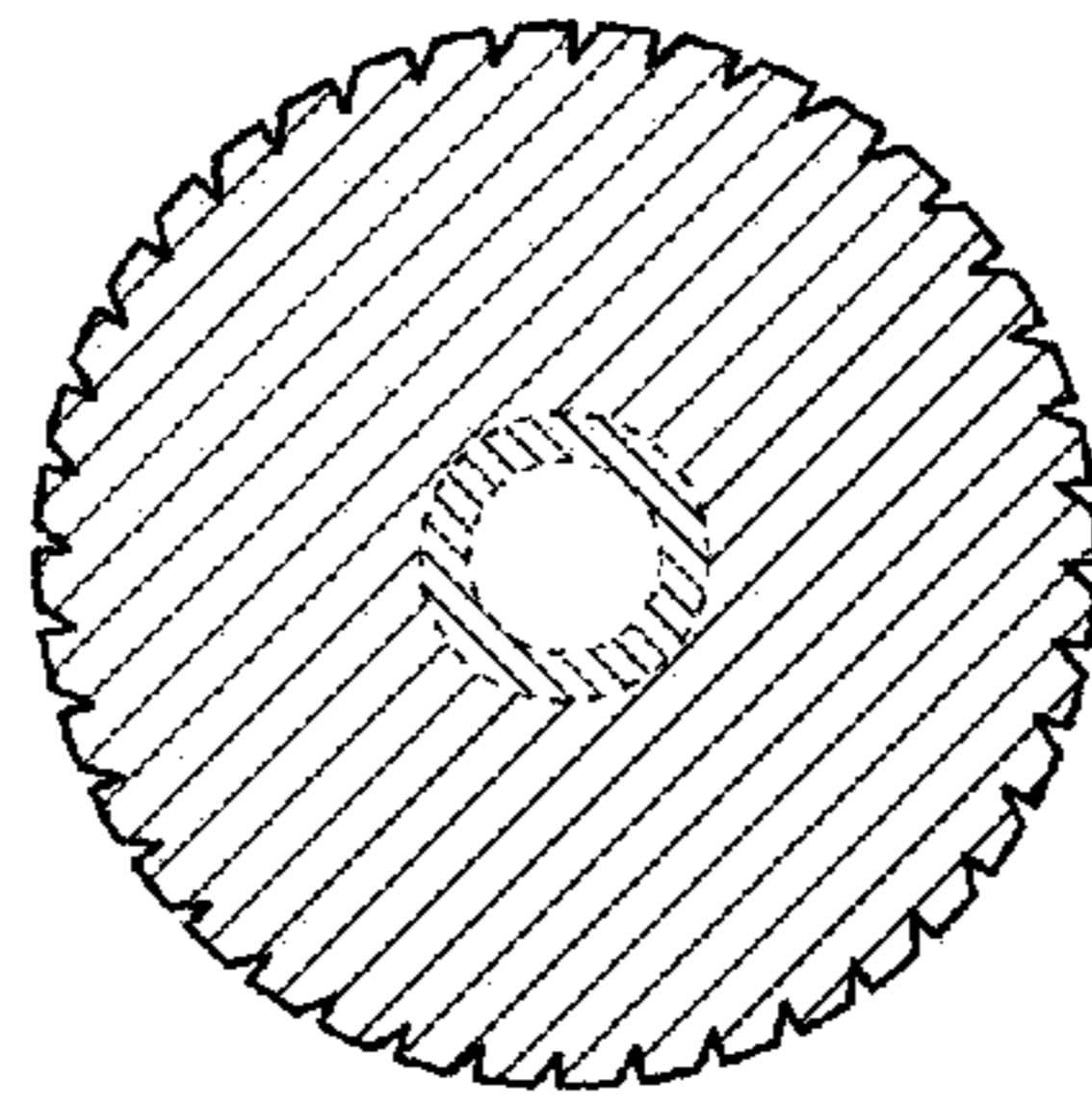
***FIG. 3***



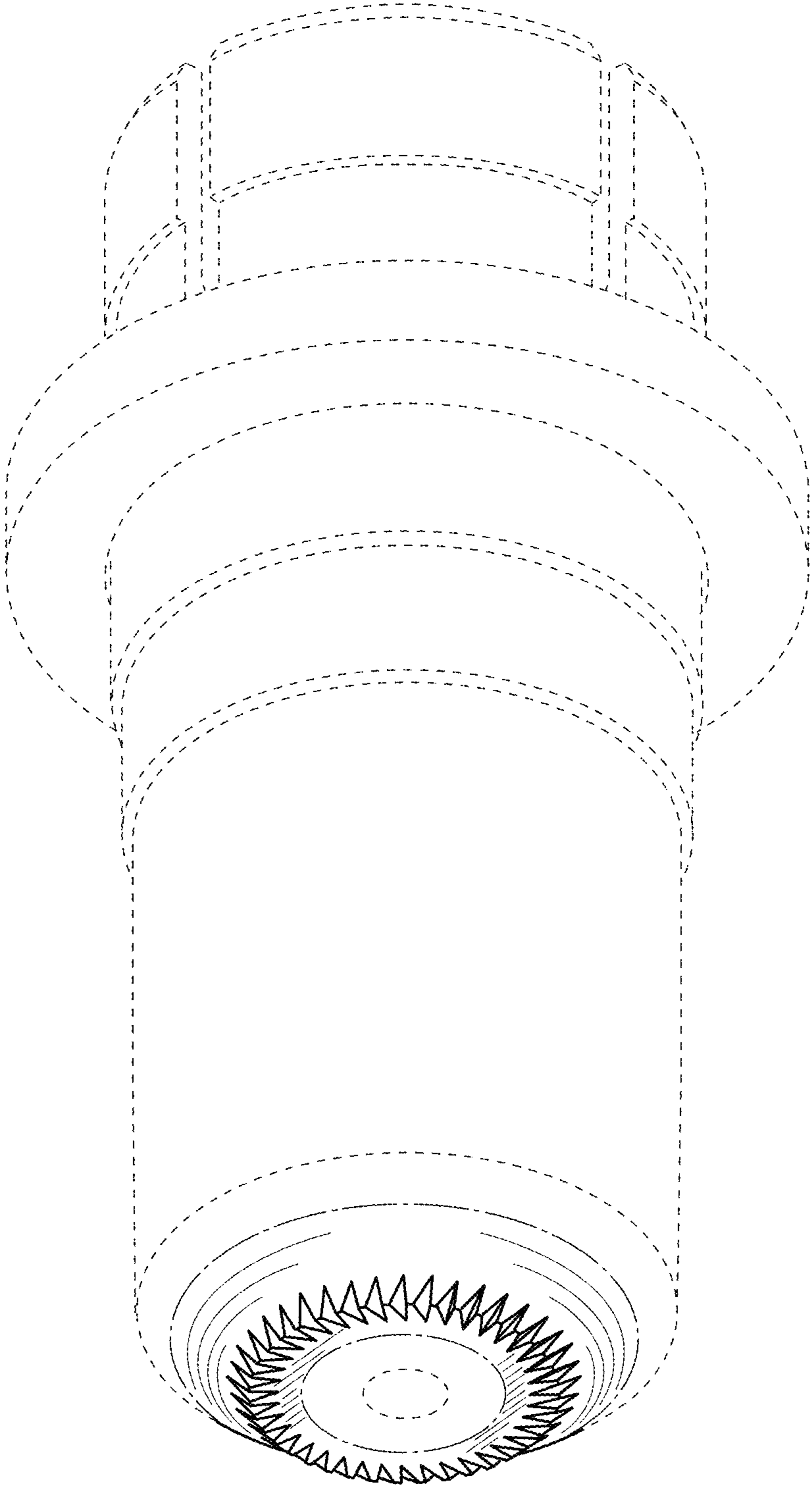
**FIG. 4**



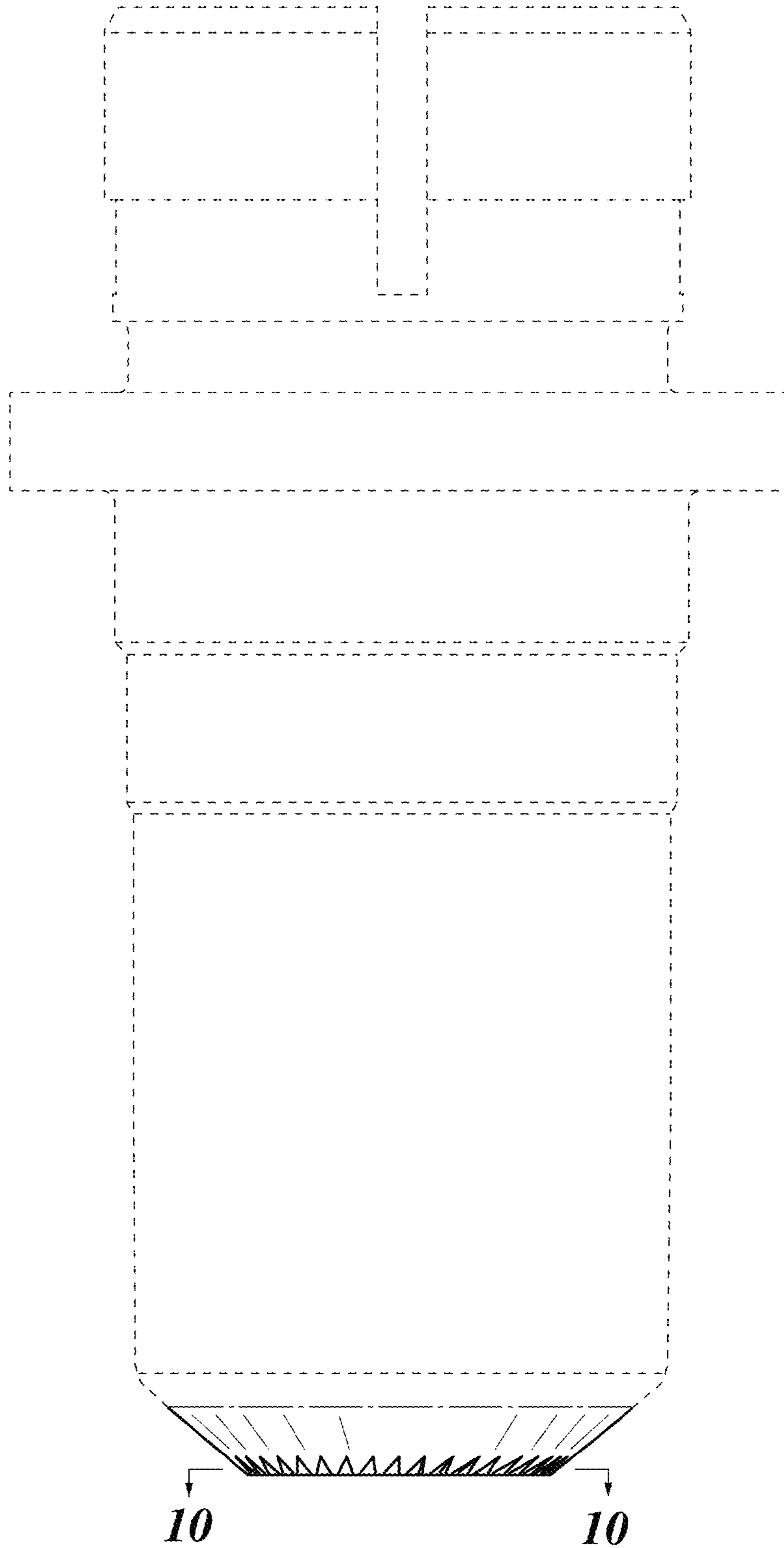
*FIG. 5*



**FIG. 6**

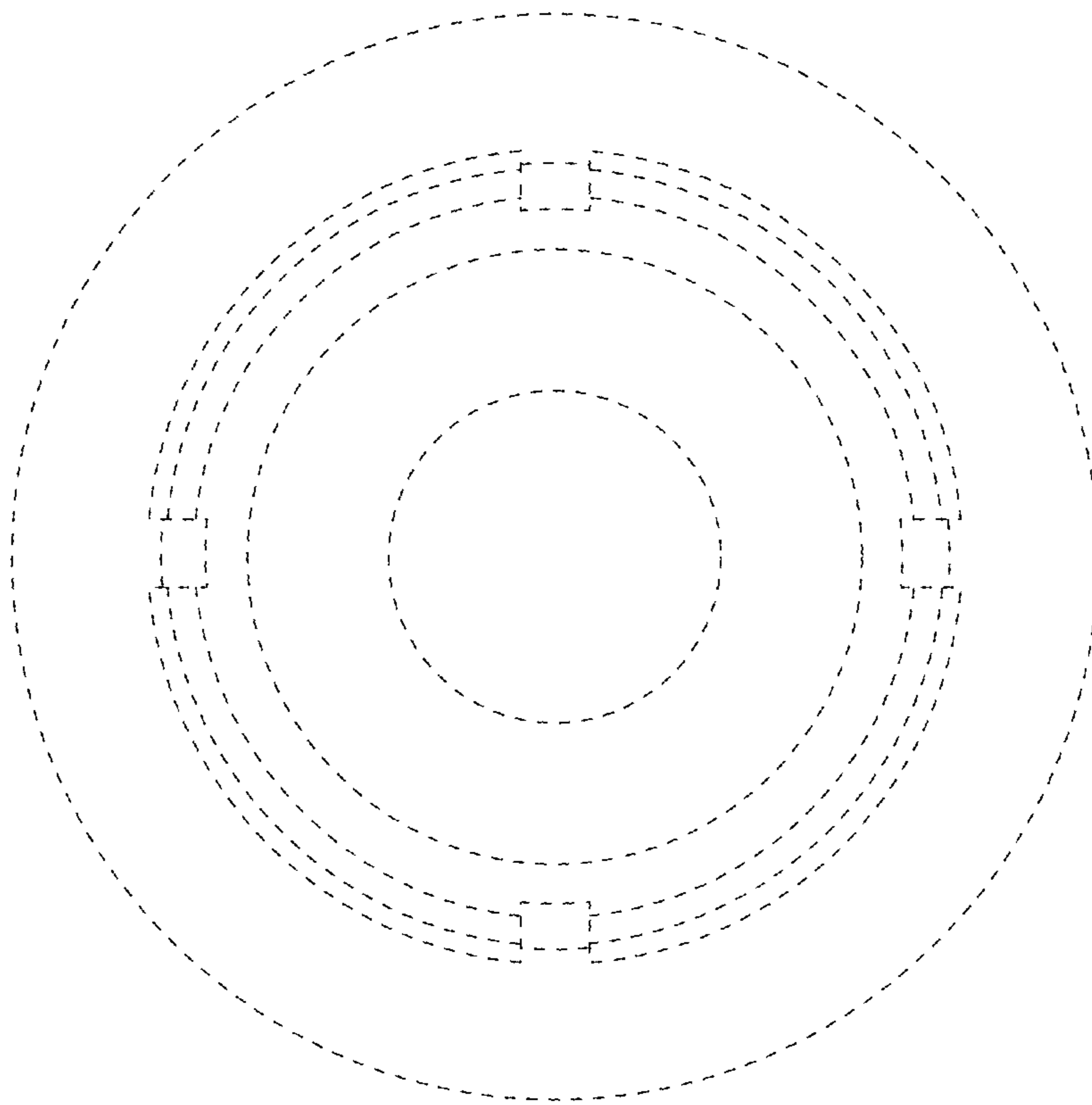


**FIG. 7**

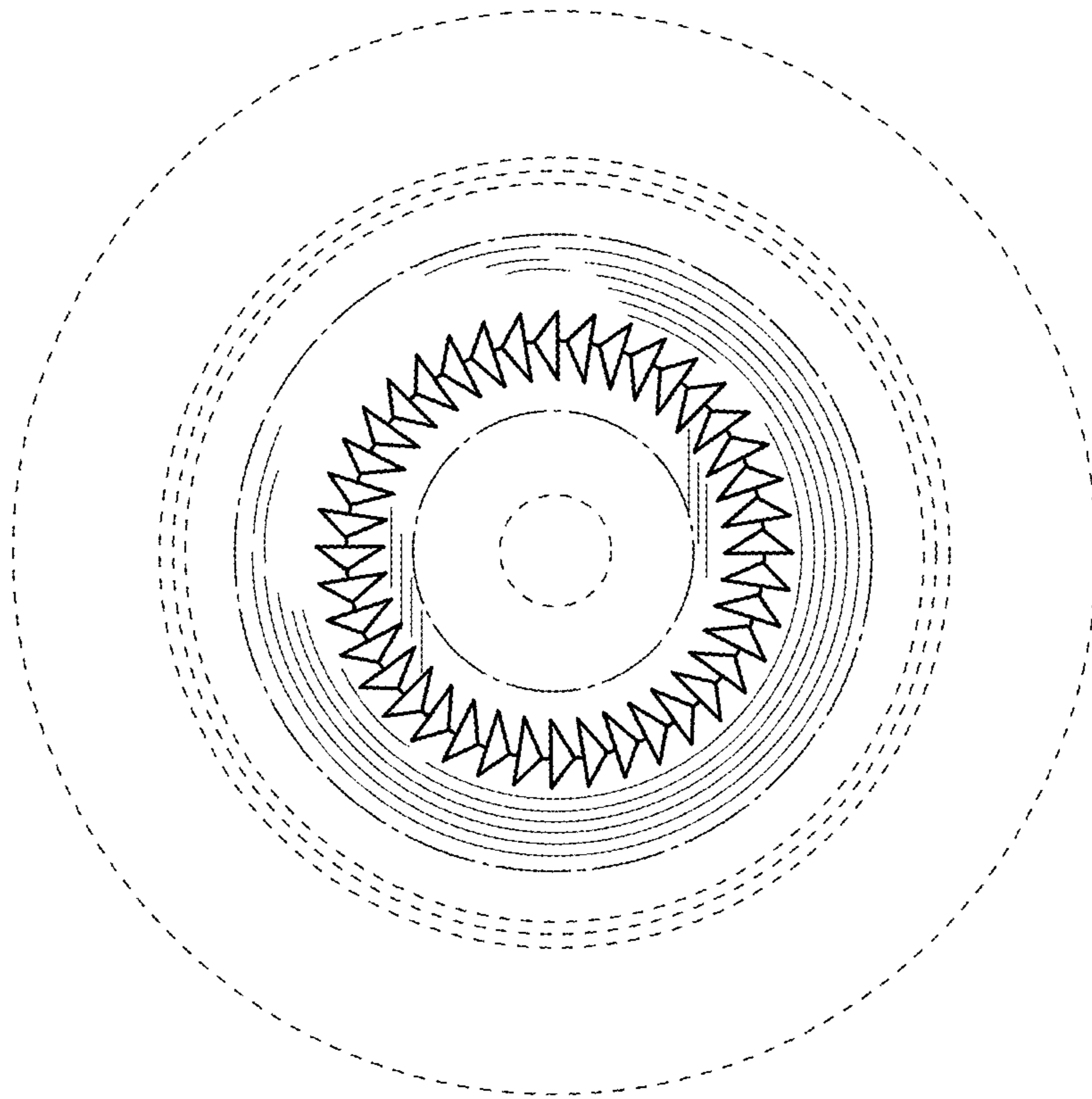




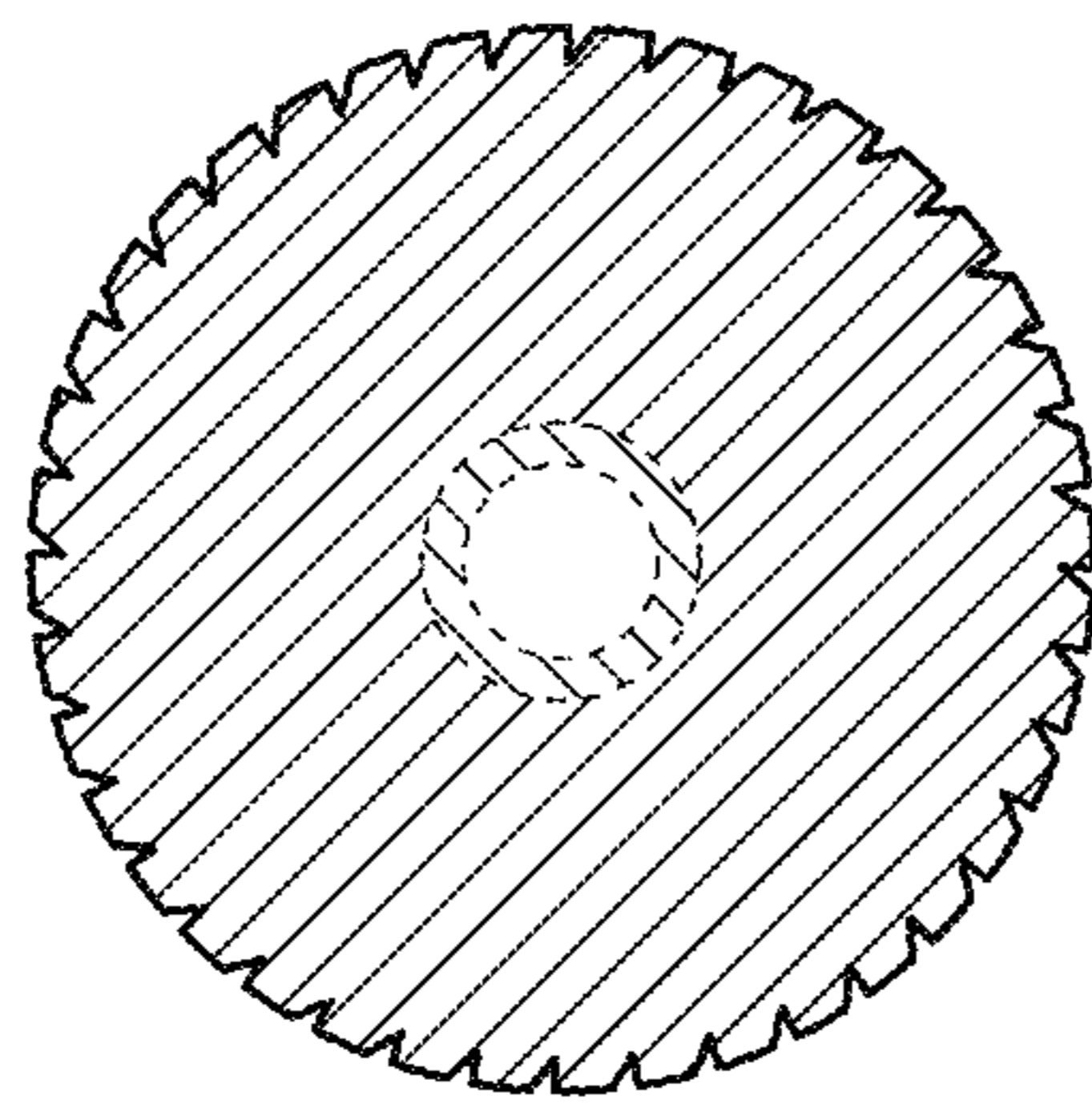
***FIG. 8***



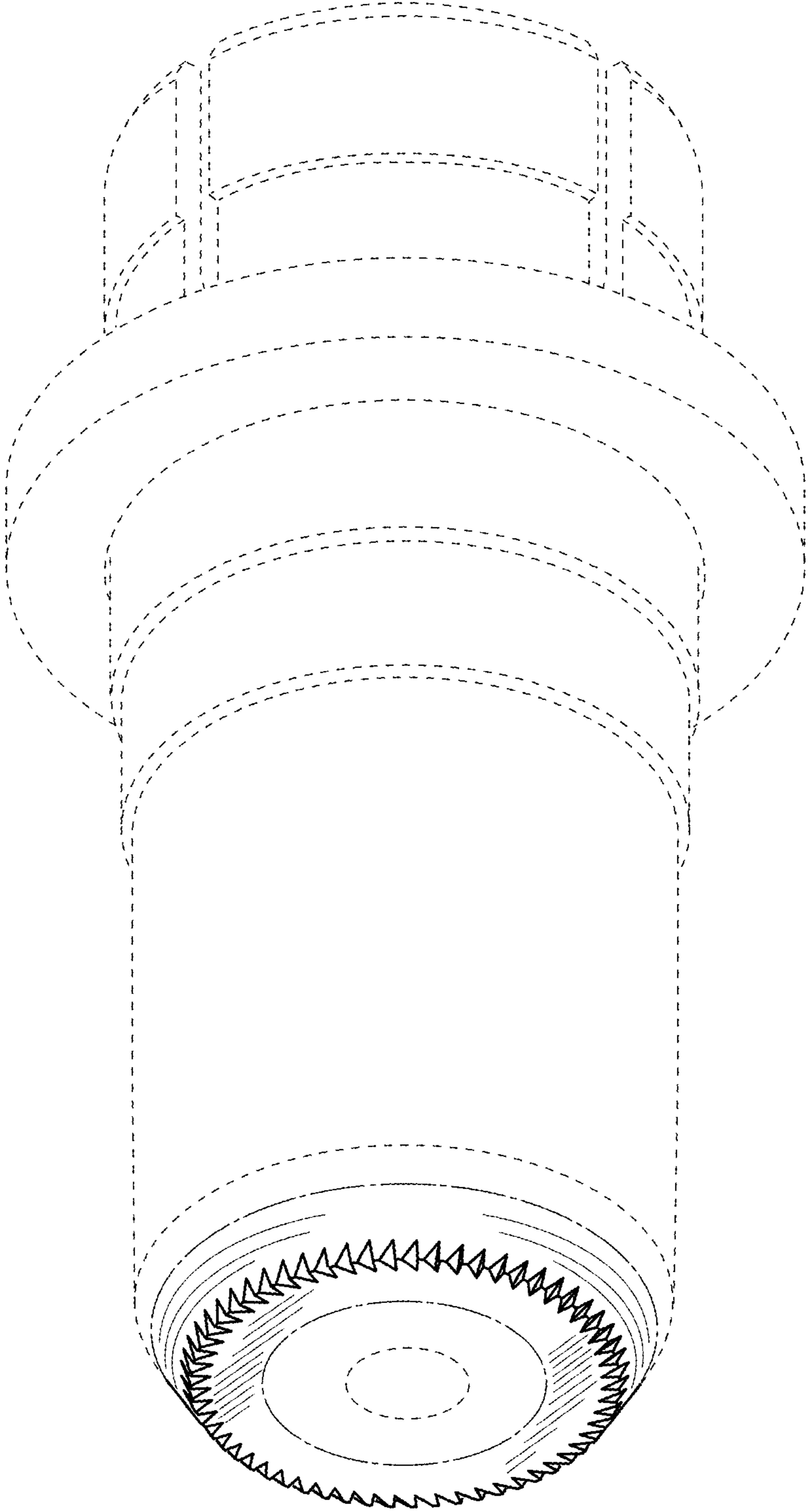
***FIG. 9***



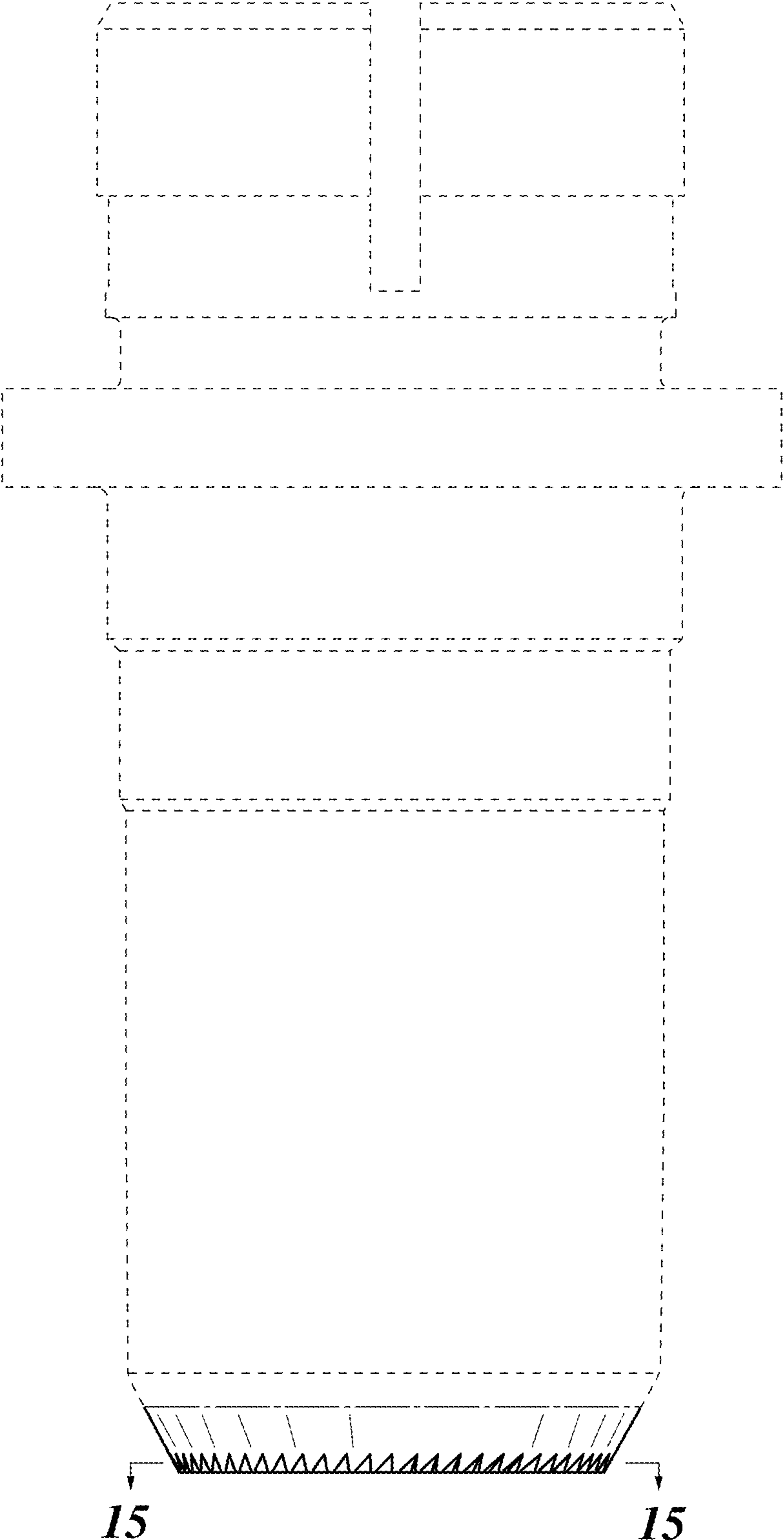
***FIG. 10***



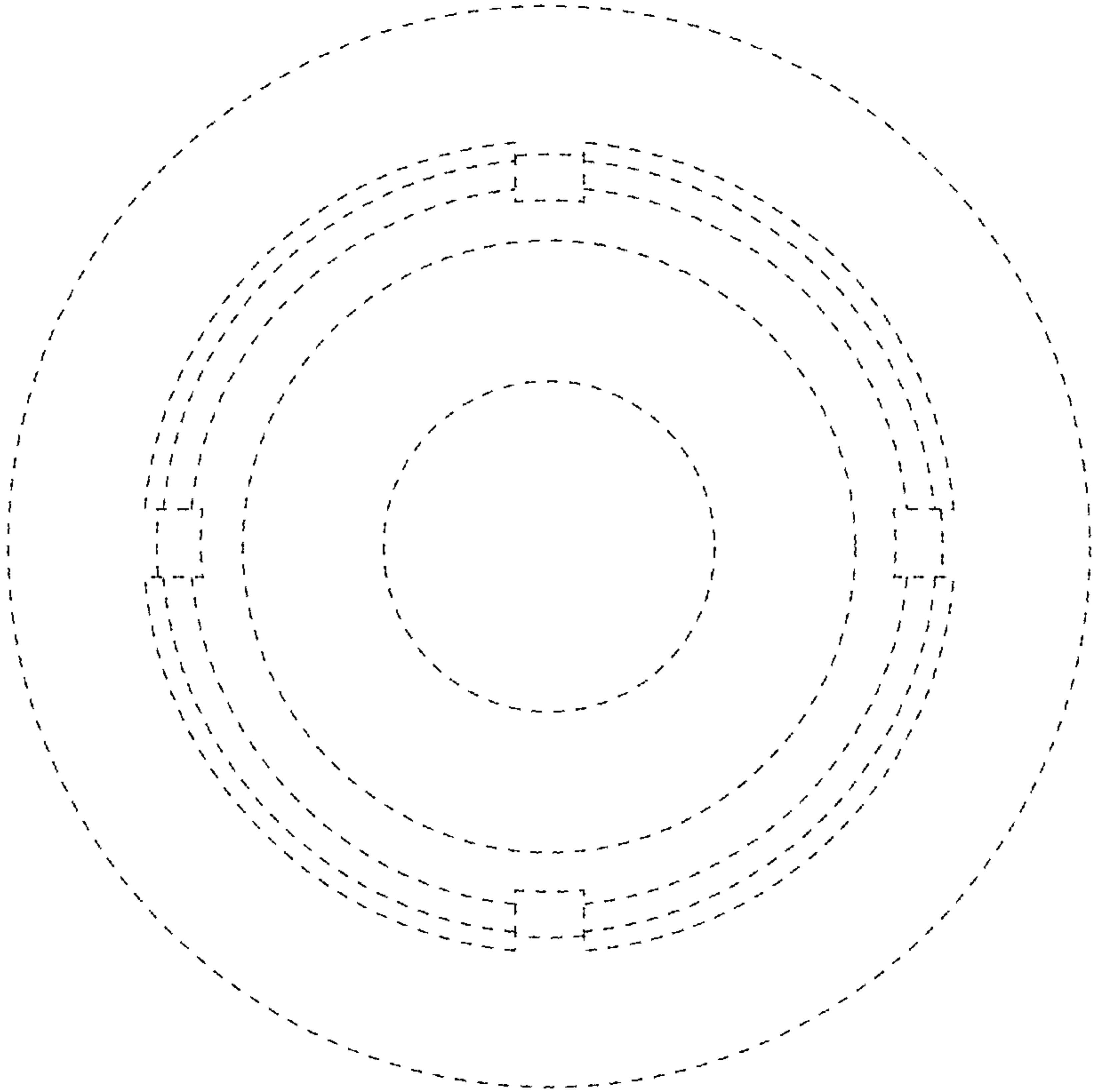
**FIG. 11**



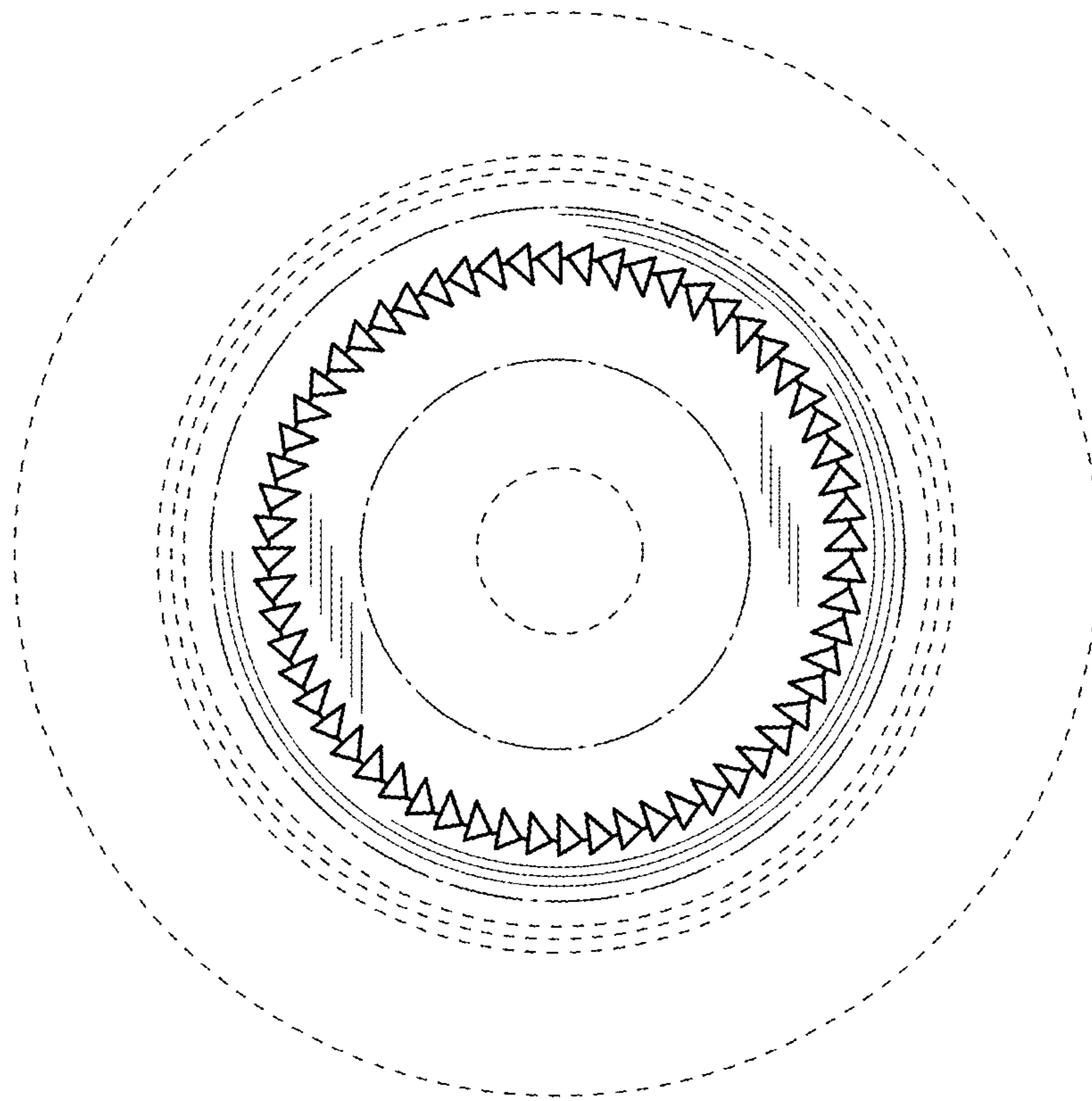
**FIG. 12**



***FIG. 13***



***FIG. 14***



***FIG. 15***

