



US00D692469S

(12) **United States Design Patent**
Oetlinger

(10) **Patent No.:** **US D692,469 S**

(45) **Date of Patent:** **** Oct. 29, 2013**

(54) **CORNER PIECE**

(75) Inventor: **Frank E. Oetlinger**, Grafton, WI (US)

(73) Assignee: **Blanking Systems, Inc.**, Grafton, WI (US)

(**) Term: **14 Years**

(21) Appl. No.: **29/389,608**

(22) Filed: **Apr. 14, 2011**

(51) **LOC (9) Cl.** **15-09**

(52) **U.S. Cl.**
USPC **D15/138**

(58) **Field of Classification Search**
USPC D8/349, 354, 382, 400; D12/223;
D15/138, 140; 83/103, 468.1, 468.2,
83/468.7, 698.41, 698.51, 698.61, 699.31,
83/701, 859; 225/97; 403/110, 374.3, 393,
403/402; 493/73, 76

See application file for complete search history.

(56) **References Cited**

U.S. PATENT DOCUMENTS

4,017,199	A *	4/1977	Strassle	403/264
D342,662	S *	12/1993	Lavin, Sr.	D8/354
5,337,641	A *	8/1994	Duginske	83/468
5,443,554	A *	8/1995	Robert	83/468.7
5,671,580	A *	9/1997	Chou	52/656.4
5,768,966	A *	6/1998	Duginske	83/468.7
5,845,555	A *	12/1998	Dawley	83/467.1
6,116,131	A *	9/2000	Fasske	83/456
6,390,719	B1	5/2002	Chan	
6,708,858	B2	3/2004	Oetlinger	
6,712,254	B2	3/2004	Oetlinger	
6,715,953	B2	4/2004	Oetlinger et al.	
6,722,811	B2	4/2004	Oetlinger	
D490,295	S *	5/2004	Neider et al.	D8/356
6,769,342	B2	8/2004	Oetlinger	

6,796,474	B2	9/2004	Oetlinger	
6,904,837	B2	6/2005	Oetlinger	
6,942,132	B2	9/2005	Oetlinger	
6,997,364	B2	2/2006	Oetlinger	
7,143,916	B2	12/2006	Oetlinger	
7,182,235	B2	2/2007	Oetlinger	
7,185,797	B2	3/2007	Oetlinger et al.	
D628,539	S *	12/2010	Tezak et al.	D13/152
7,992,752	B2	8/2011	Oetlinger	

FOREIGN PATENT DOCUMENTS

JP	2004-060789	2/2004
WO	WO03070437	8/2003

* cited by examiner

Primary Examiner — Patricia Palasik

(74) *Attorney, Agent, or Firm* — Boyle Fredrickson, S.C.

(57) **CLAIM**

The ornamental design for a corner piece, as shown and described.

DESCRIPTION

FIG. 1 is an isometric view a ninth embodiment of a corner piece in accordance with the present invention;

FIG. 2 is a front elevational view of the corner piece of FIG. 1;

FIG. 3 is a rear elevational view of the corner piece of FIG. 1;

FIG. 4 is a top plan view of the corner piece of FIG. 1;

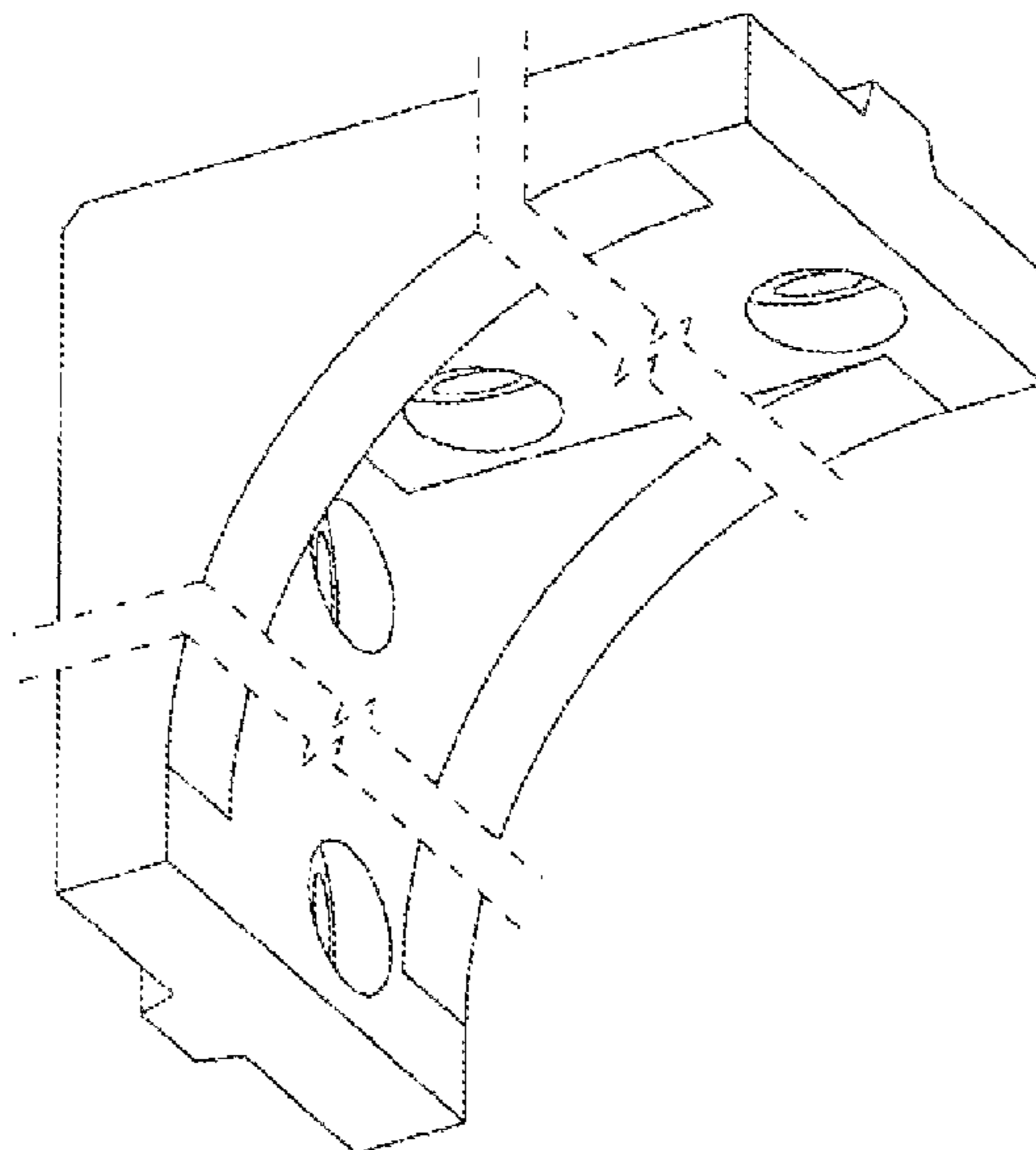
FIG. 5 is a bottom plan view of the corner piece of FIG. 1;

FIG. 6 is a side elevational view of a first side of the corner piece of FIG. 1; and,

FIG. 7 is a side elevational view of a second side of the corner piece of FIG. 1.

The broken away symbols in the drawings indicate that the appearance of any portion of the article between the break lines forms no part of the claimed design.

1 Claim, 2 Drawing Sheets



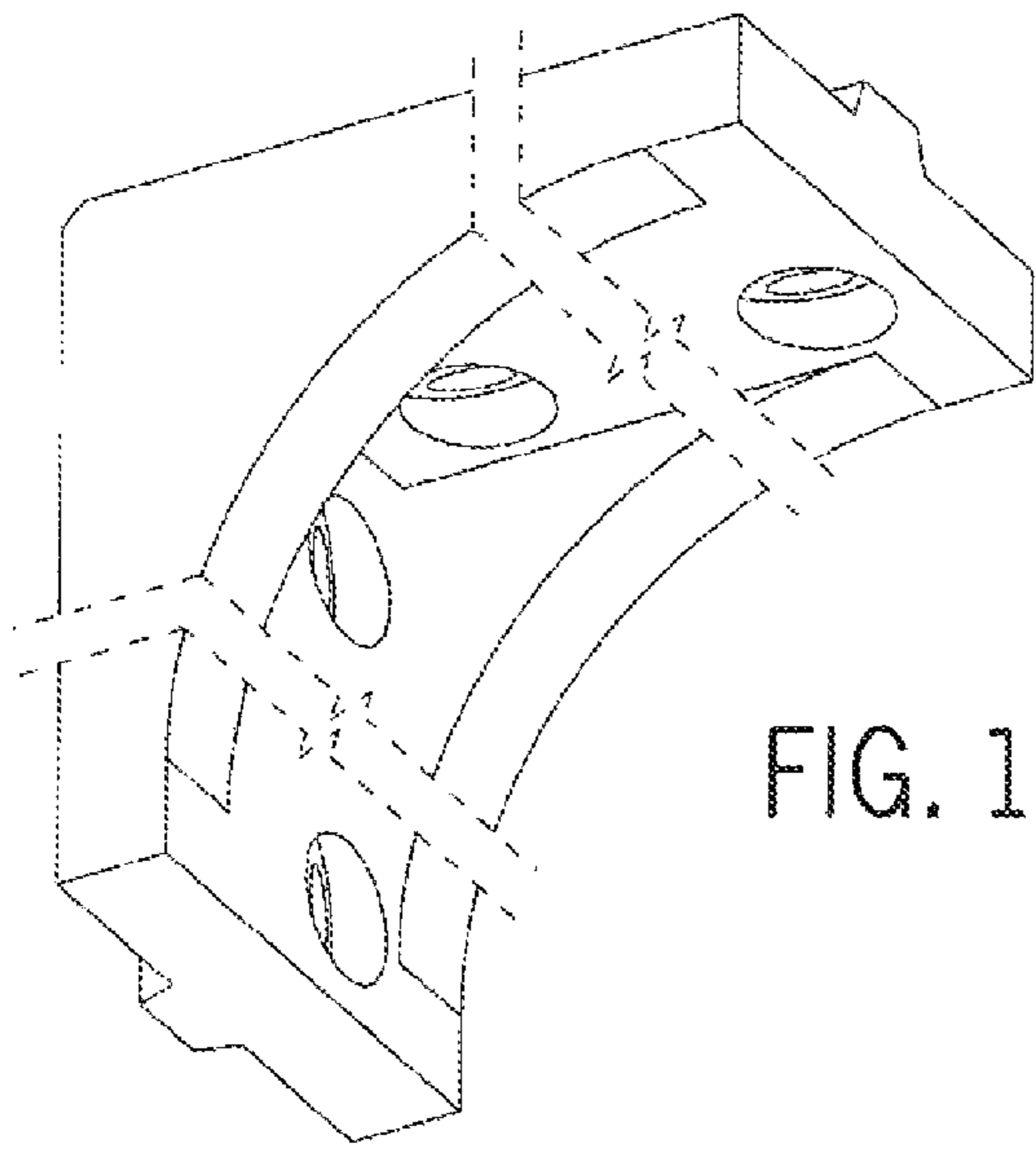


FIG. 1

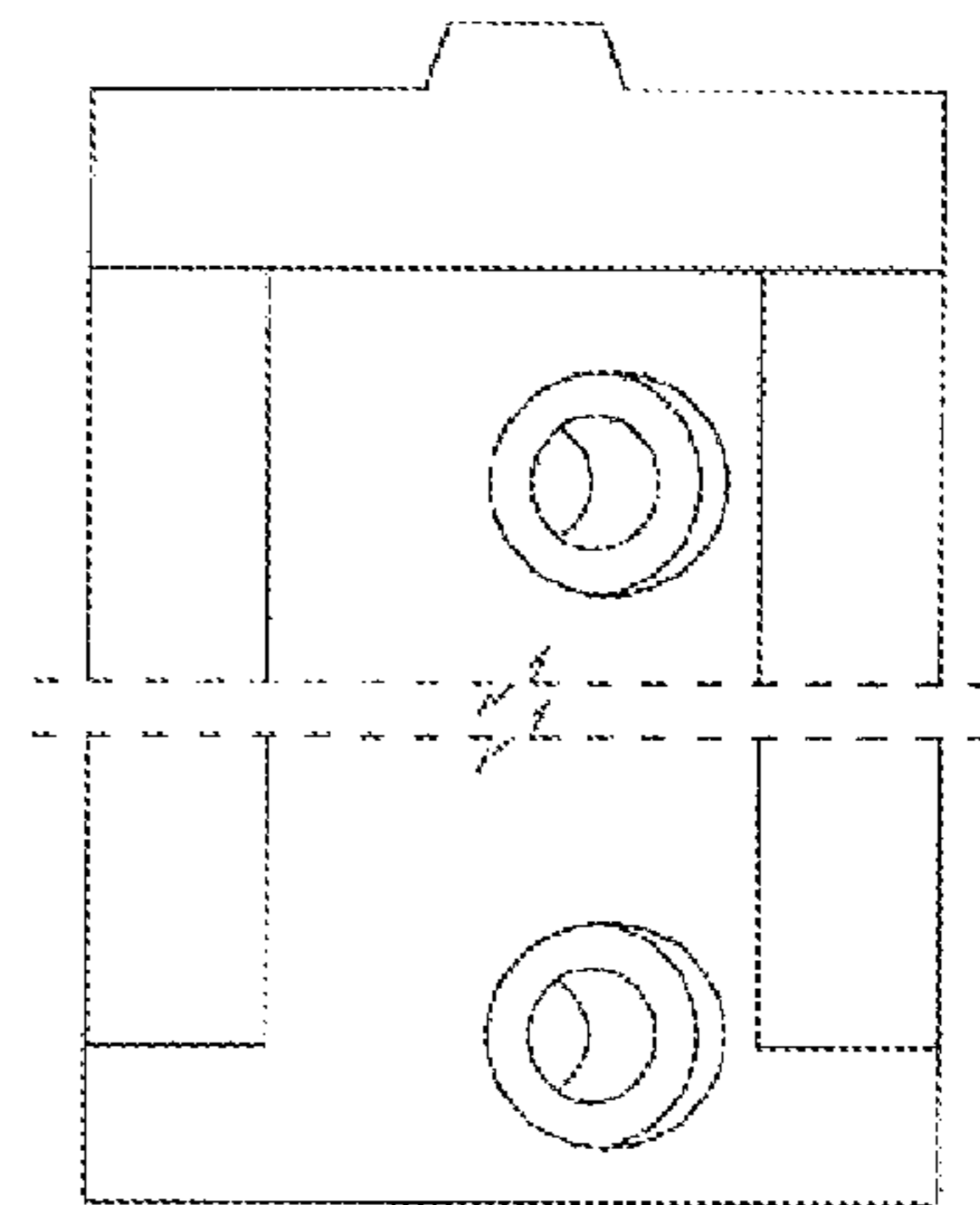


FIG. 2

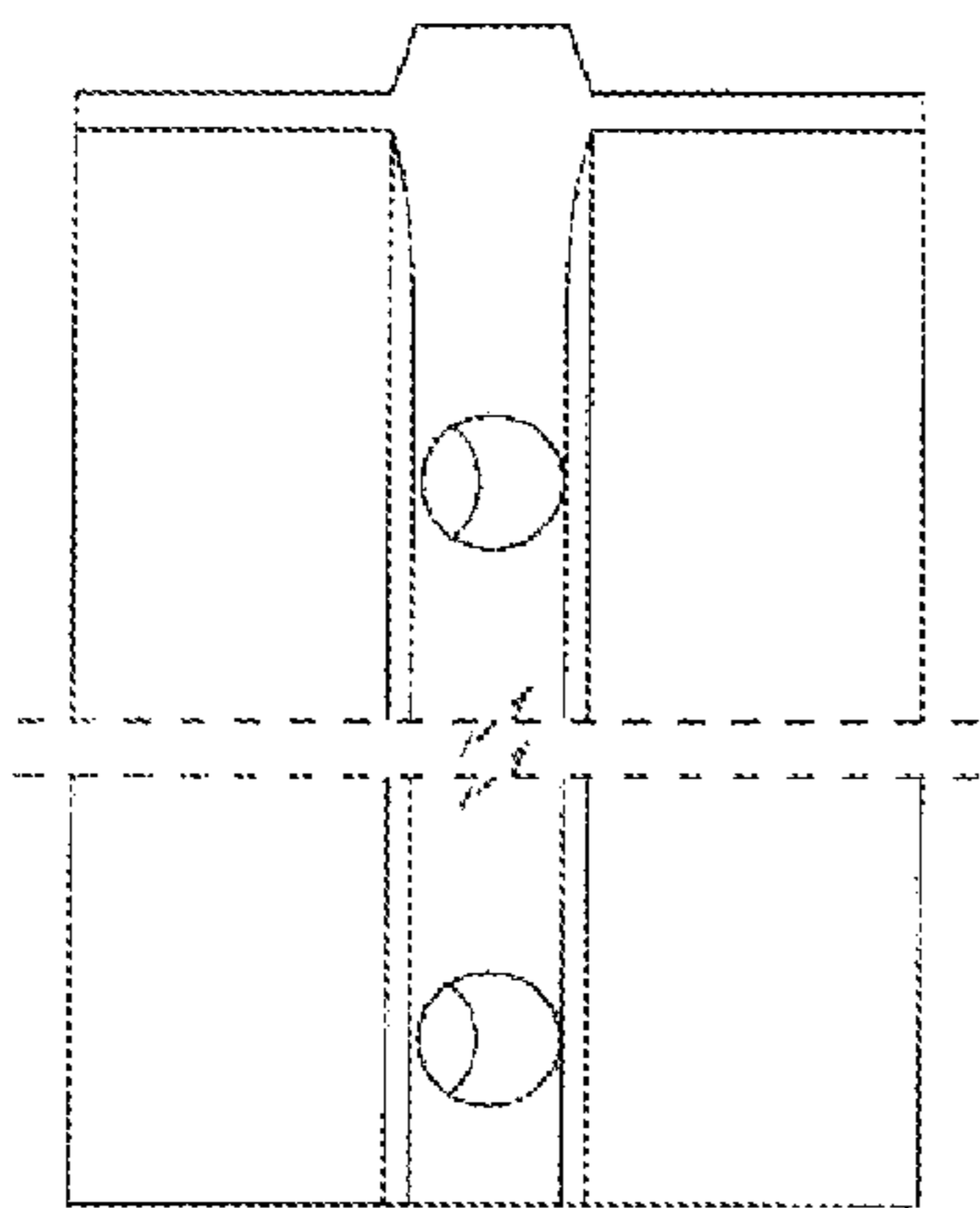


FIG. 3

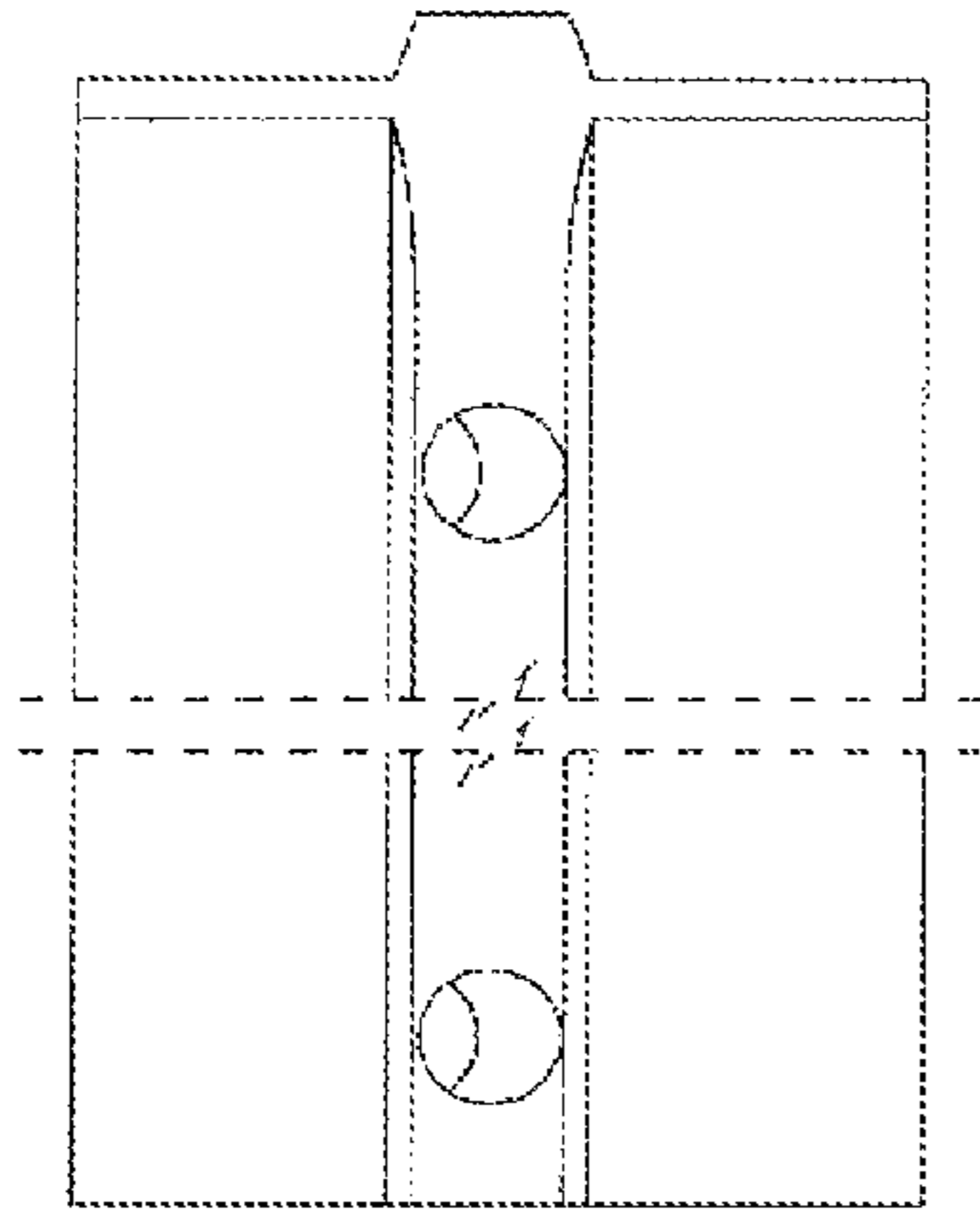


FIG. 4

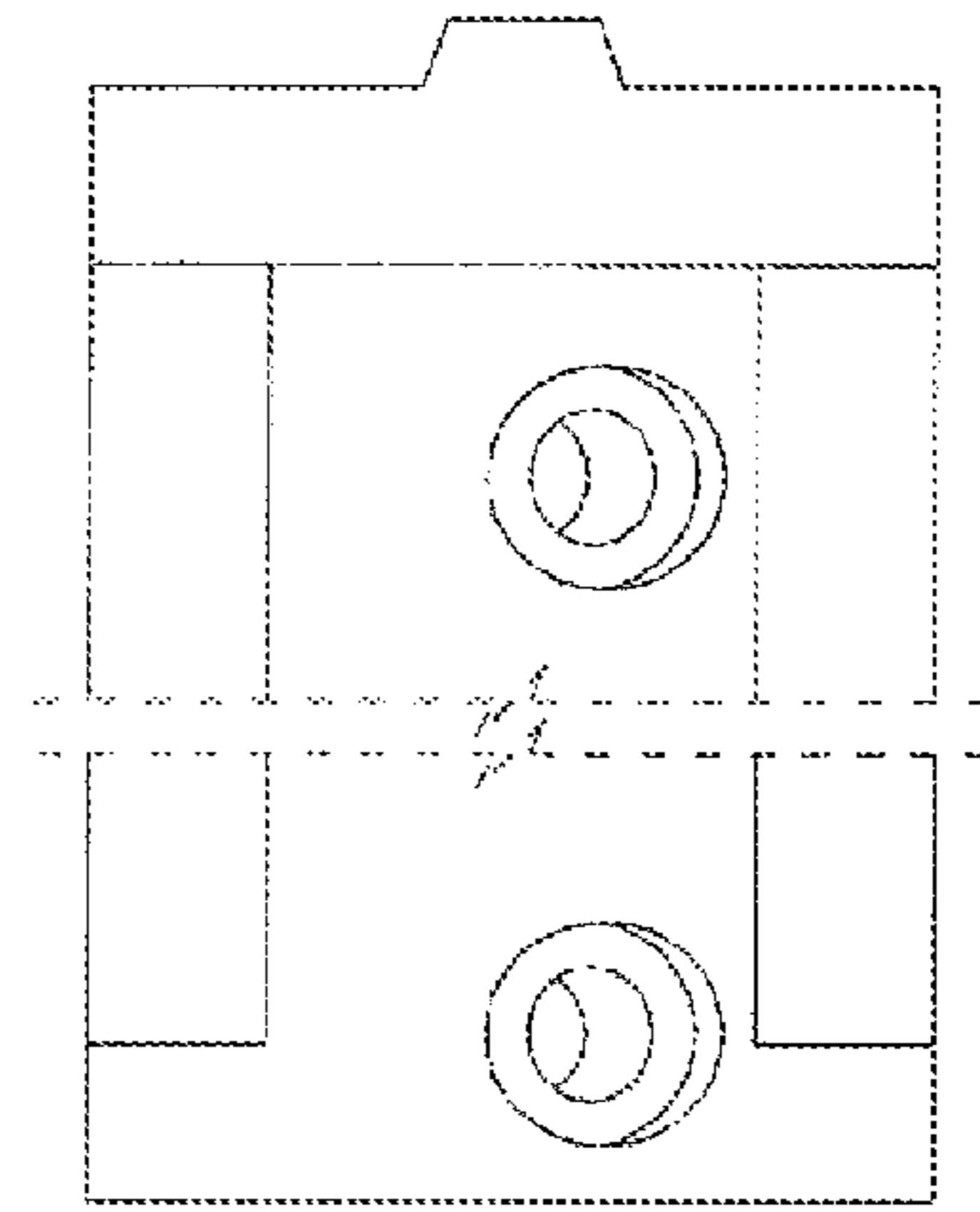


FIG. 5

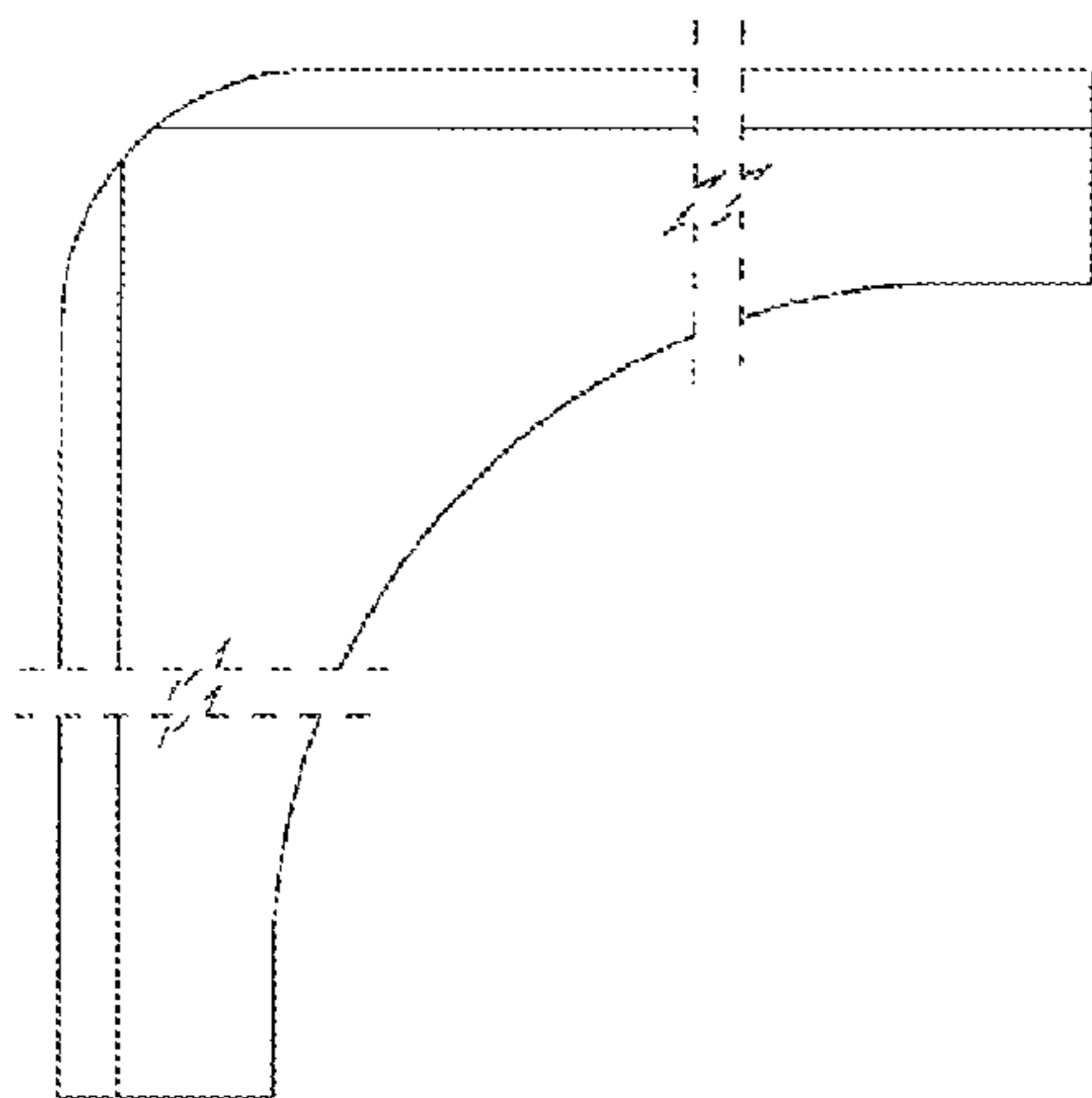


FIG. 6

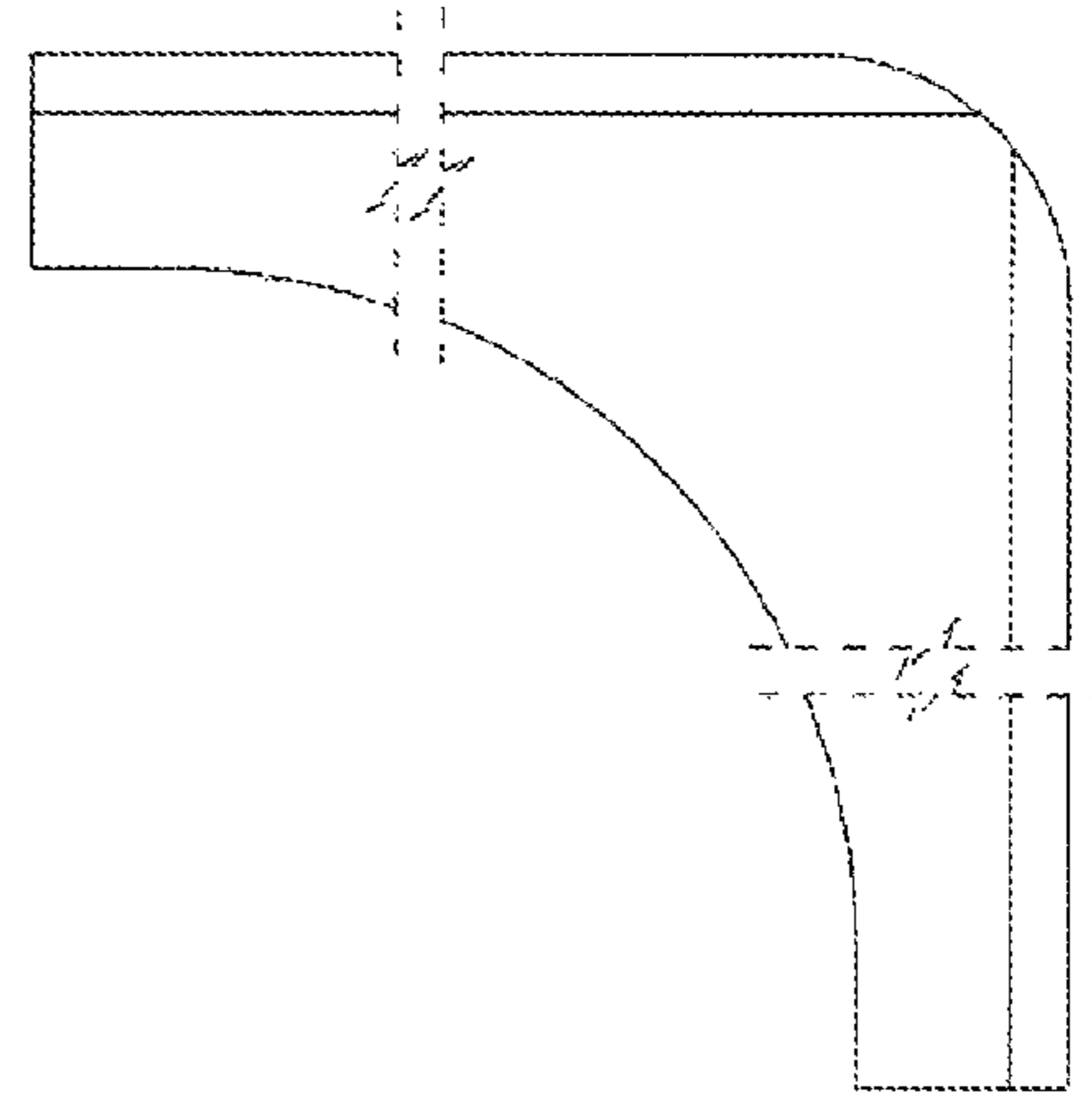


FIG. 7