

US00D692466S

(12) **United States Design Patent**  
**Takagi et al.**

(10) **Patent No.:** **US D692,466 S**  
(45) **Date of Patent:** **\*\* Oct. 29, 2013**

(54) **DASHBOARD OF TRACTOR**

(71) Applicant: **Iseki & Co., Ltd.**, Ehime-ken (JP)  
(72) Inventors: **Makoto Takagi**, Ehime-ken (JP); **Shohei Kurokawa**, Ehime-ken (JP); **Takashi Wakino**, Ehime-ken (JP); **Masami Kinoshita**, Ehime-ken (JP); **Seiji Tanaka**, Ehime-ken (JP); **Yoshihisa Tuzuki**, Ehime-ken (JP)

(73) Assignee: **Iseki & Co., Ltd.**, Ehime-ken (JP)

(\*\*) Term: **14 Years**

(21) Appl. No.: **29/446,792**

(22) Filed: **Feb. 27, 2013**

(30) **Foreign Application Priority Data**

Sep. 14, 2012 (JP) ..... 2012-022353

(51) **LOC (9) Cl.** ..... **15-03**

(52) **U.S. Cl.**  
USPC ..... **D15/28; D15/17**

(58) **Field of Classification Search**  
USPC ..... D15/17, 28, 14, 15, 22-26, 31, 33;  
D12/192; 180/69.24, 69.2, 69.21, 90;  
296/70, 30, 72, 191, 192, 193.03

See application file for complete search history.

(56) **References Cited**

U.S. PATENT DOCUMENTS

D256,018	S	*	7/1980	Stone et al.	.....	D15/28
D326,662	S	*	6/1992	Holm et al.	.....	D15/17
D365,574	S	*	12/1995	Westimayer et al.	.....	D15/17
5,725,065	A	*	3/1998	Knurr et al.	.....	180/69.2
D427,613	S	*	7/2000	Altmann et al.	.....	D15/28
D459,734	S	*	7/2002	Hohnl et al.	.....	D15/28
D471,564	S	*	3/2003	Hohnl et al.	.....	D15/28
D583,836	S	*	12/2008	Matsumoto et al.	.....	D15/28
D584,321	S	*	1/2009	Matsumoto et al.	.....	D15/28
D594,885	S	*	6/2009	Kuwae et al.	.....	D15/28

FOREIGN PATENT DOCUMENTS

JP 1280309 9/2006

\* cited by examiner

*Primary Examiner* — Mark Goodwin

(74) *Attorney, Agent, or Firm* — Wenderoth, Lind & Ponack, L.L.P.

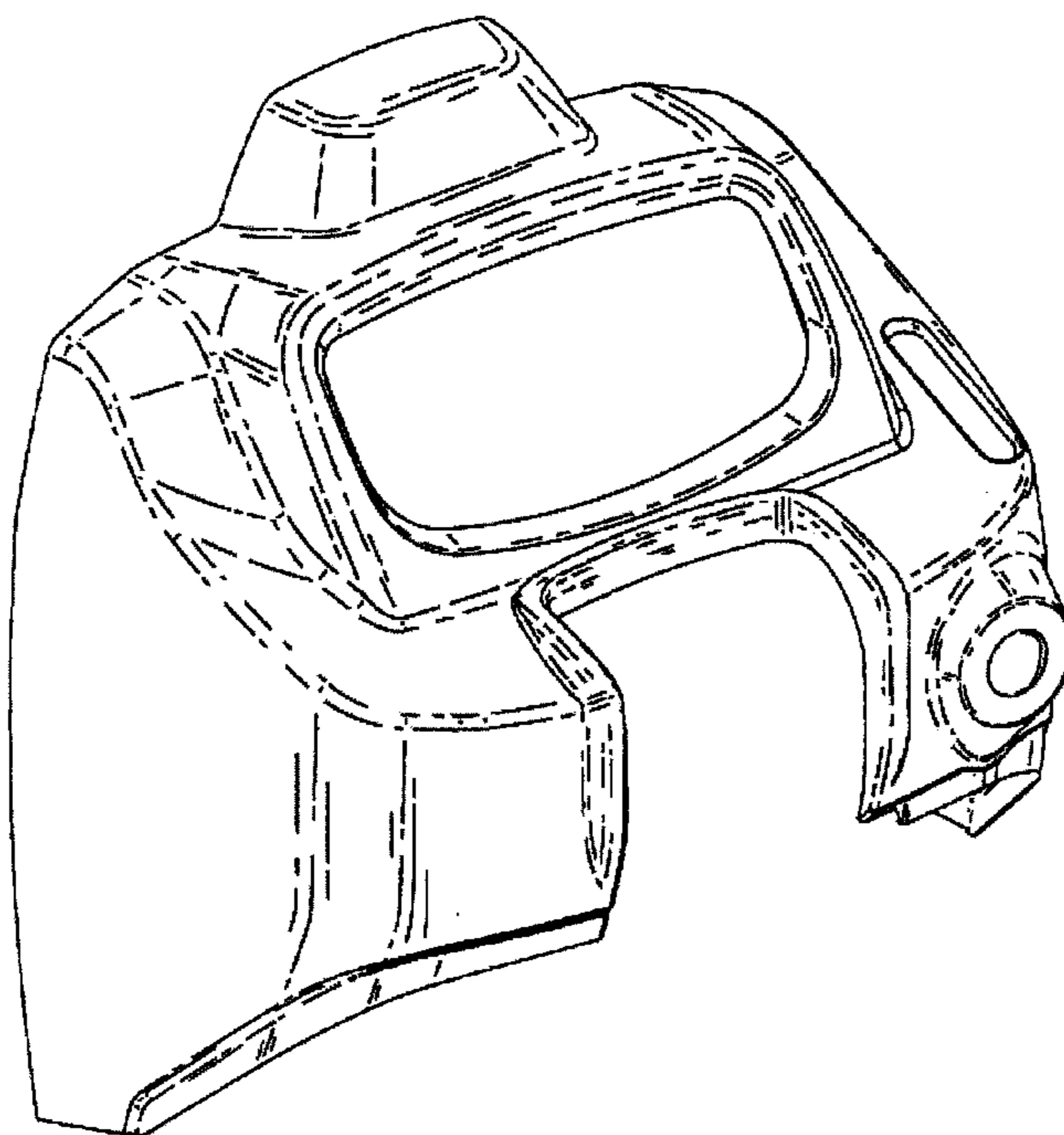
(57) **CLAIM**

The ornamental design for a dashboard of tractor, as shown and described.

**DESCRIPTION**

FIG. 1 is a front view of a dashboard of tractor according to the present invention;  
FIG. 2 is a left side view of the present invention;  
FIG. 3 is a perspective view of the present invention;  
FIG. 4 is a right side view of the present invention;  
FIG. 5 is a top view of the present invention;  
FIG. 6 is a rear view of the present invention; and,  
FIG. 7 is a bottom view of the present invention.

**1 Claim, 7 Drawing Sheets**



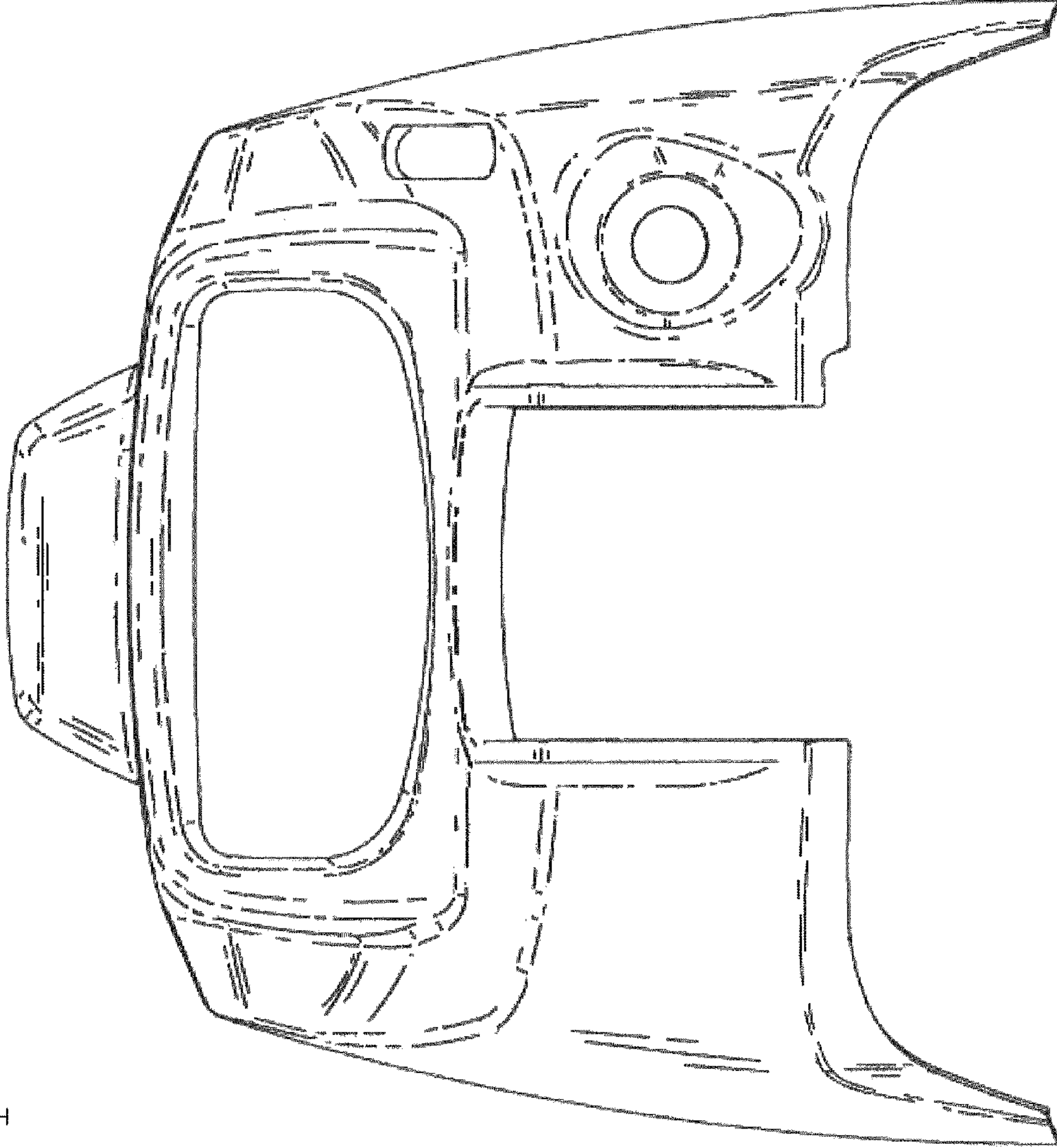


FIG. 1

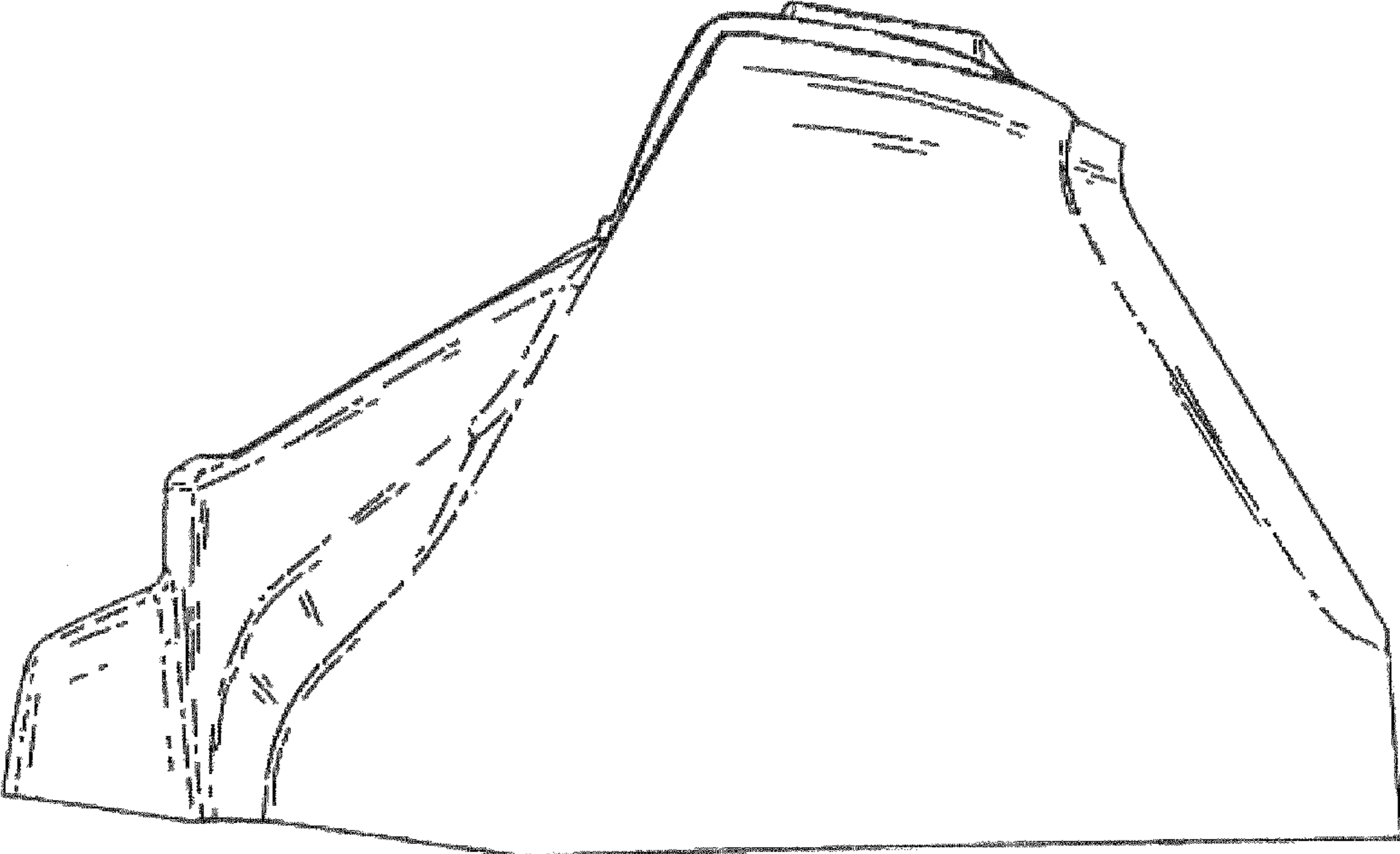


FIG. 2

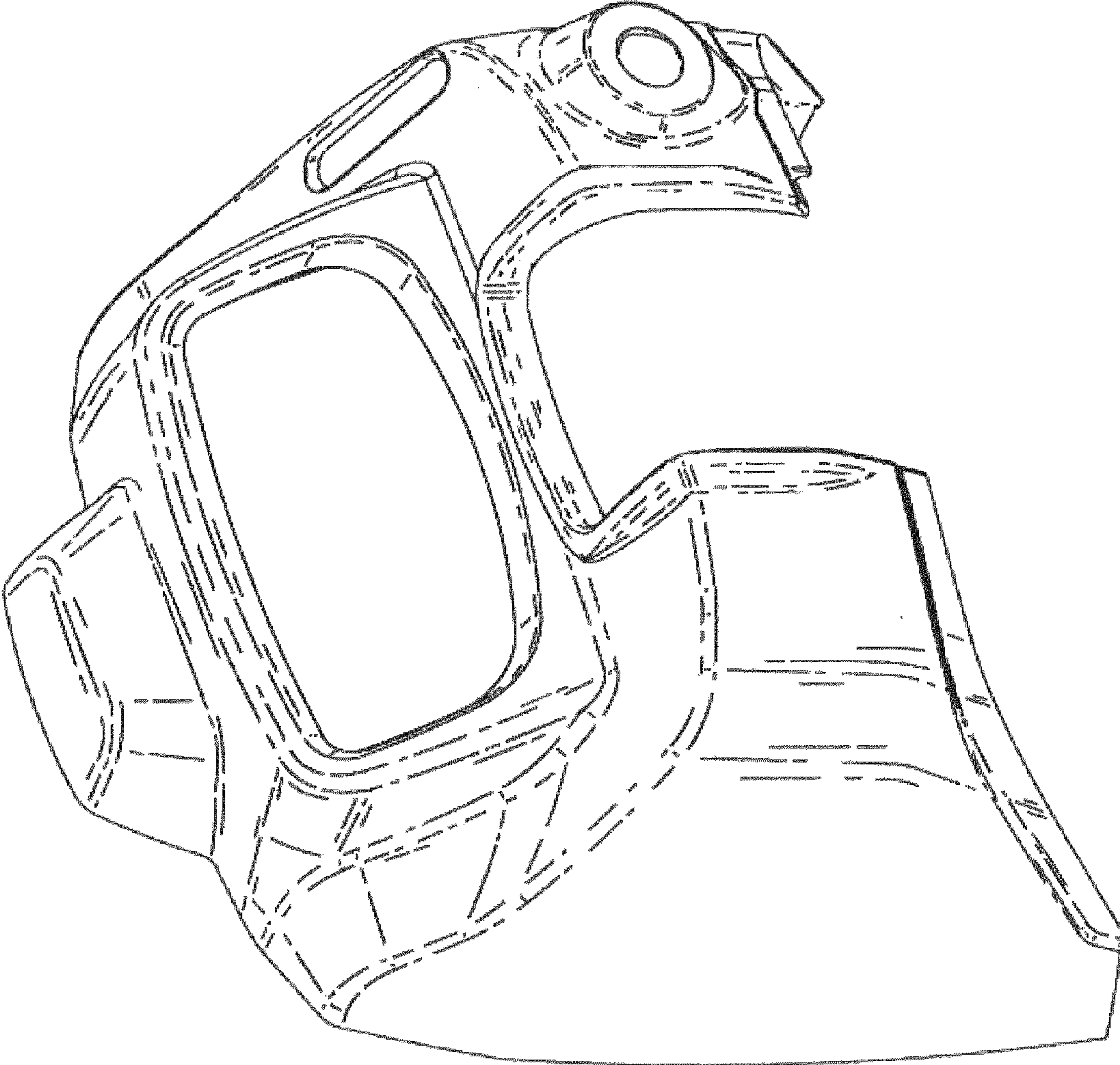


FIG. 3

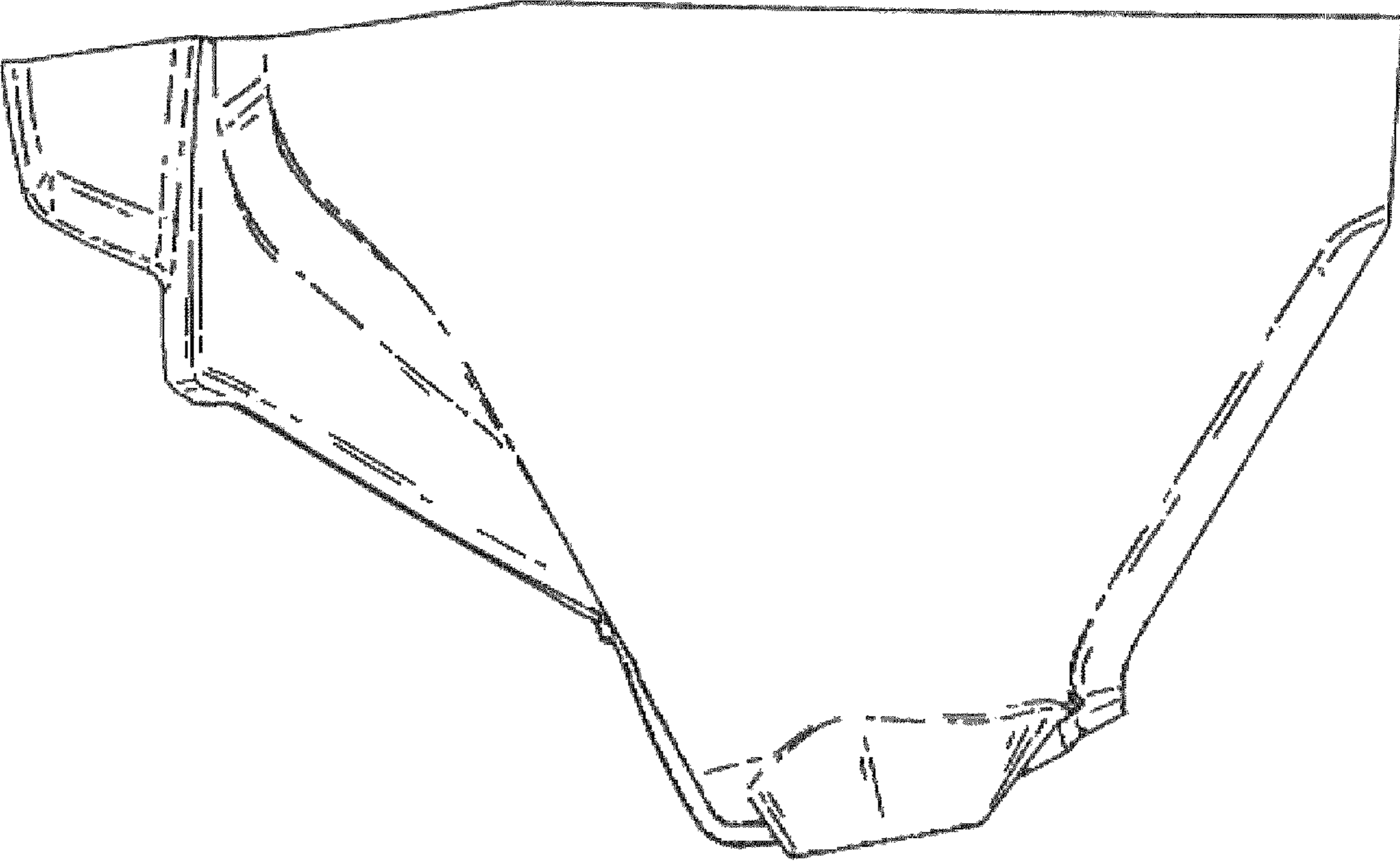


FIG. 4

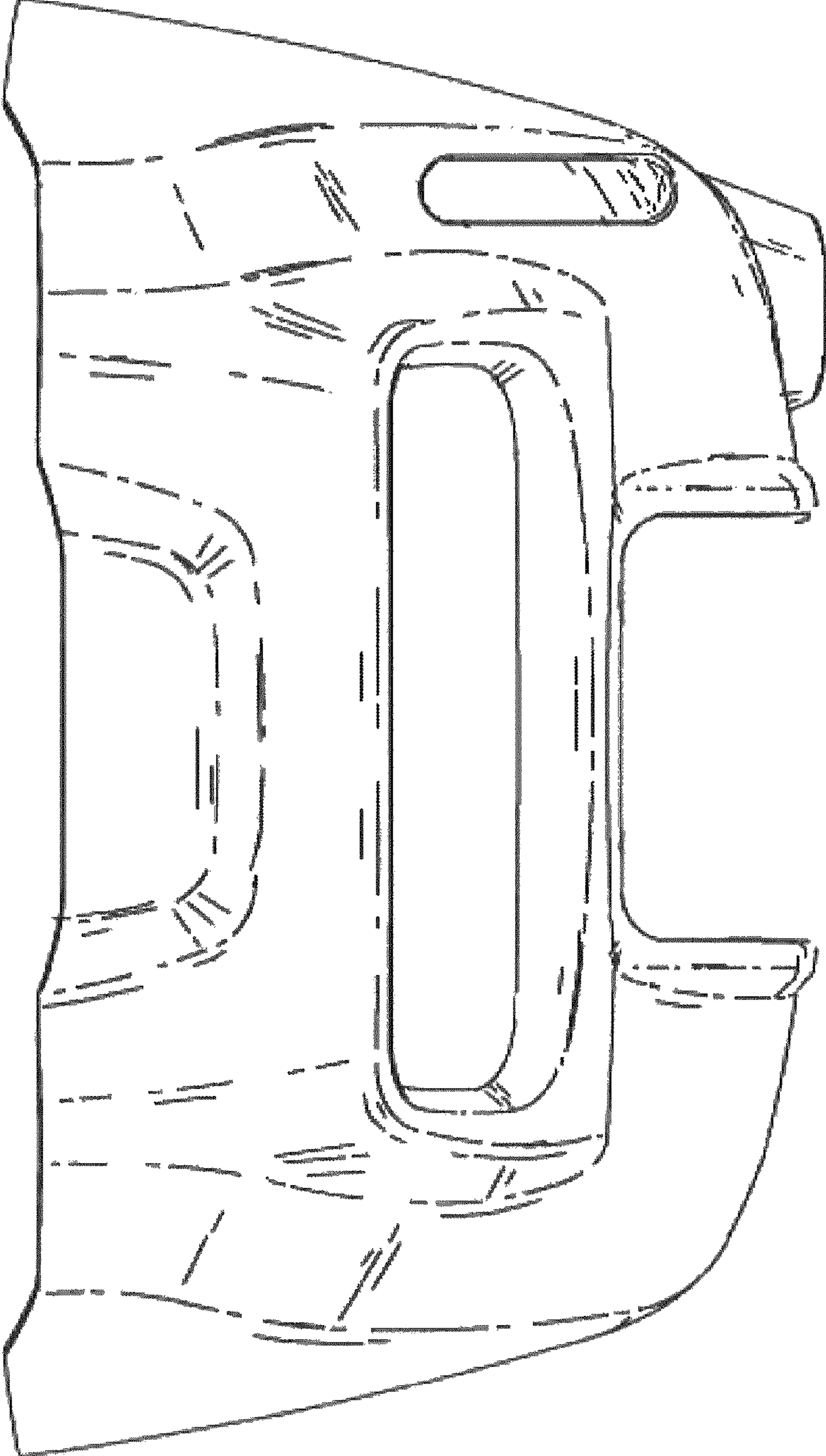


FIG. 5

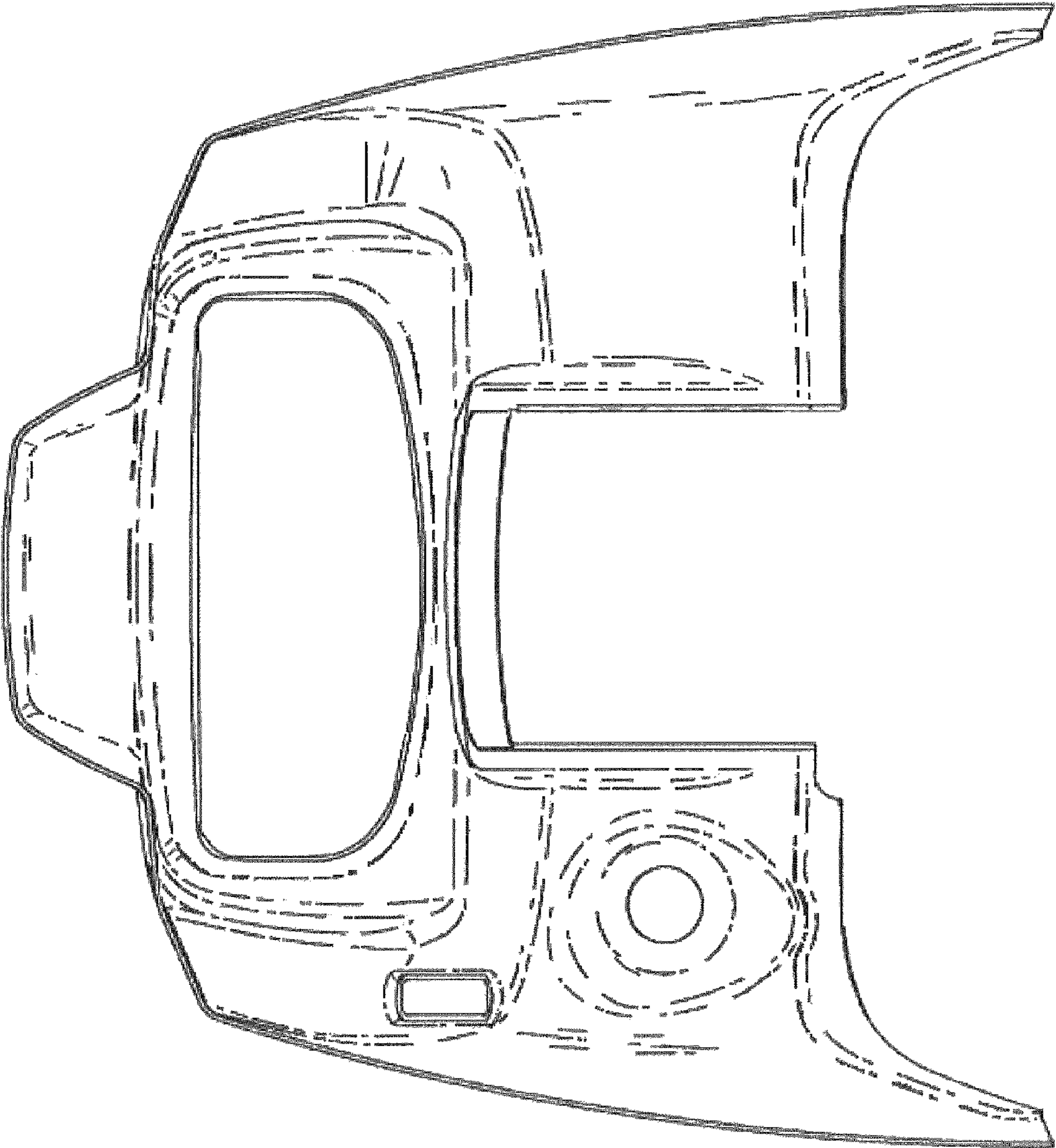


FIG. 6

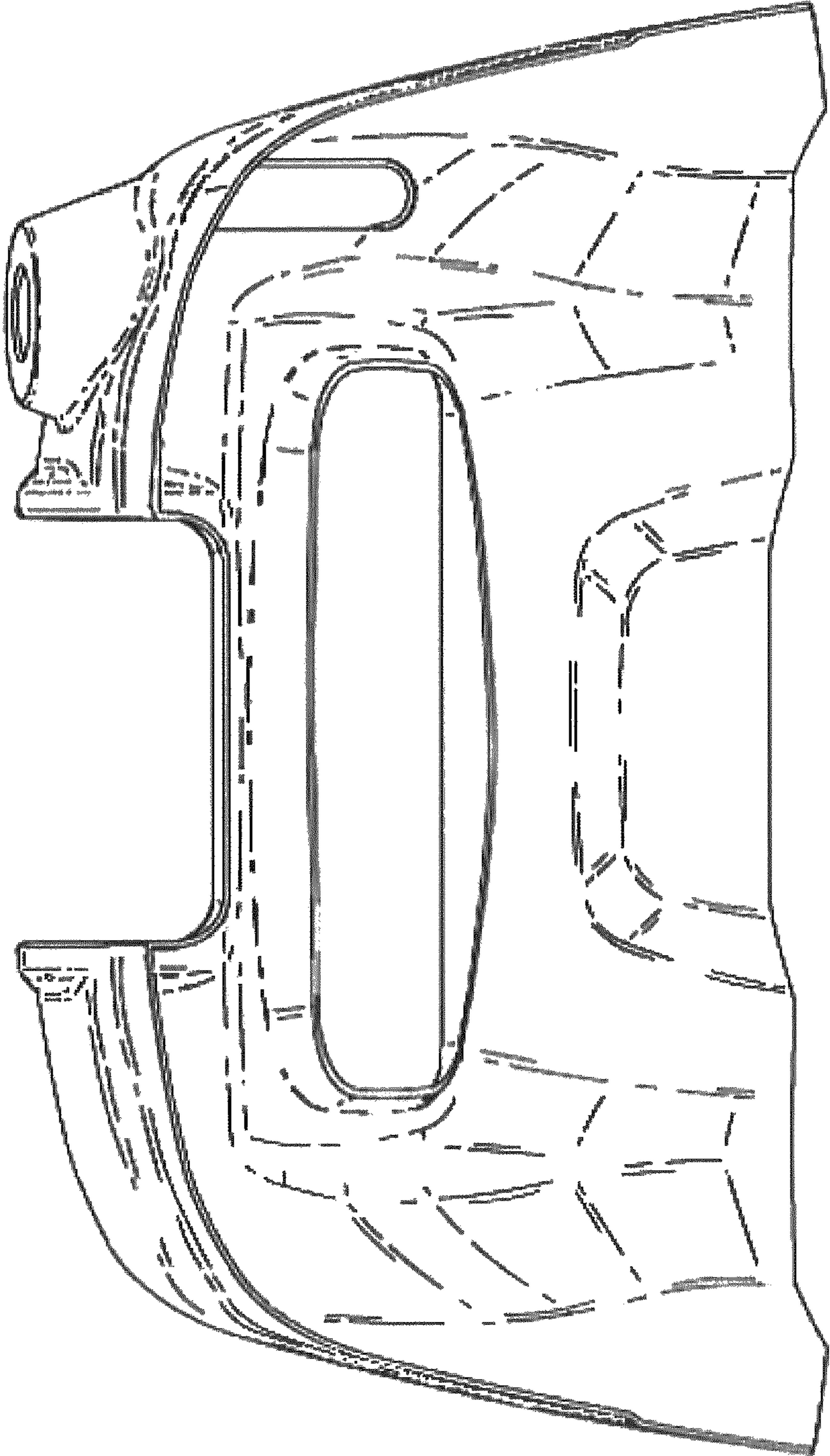


FIG. 7