



US00D692465S

(12) **United States Design Patent**
Sumitani et al.

(10) **Patent No.:** **US D692,465 S**

(45) **Date of Patent:** **** Oct. 29, 2013**

(54) **CATERPILLAR CAR FOR POWER SHOVEL**

(71) Applicant: **Caterpillar SARL**, Geneva (CH)

(72) Inventors: **Naoya Sumitani**, Tokyo (JP); **Junji Mizugaki**, Tokyo (JP); **Takahiro Sadamoto**, Tokyo (JP); **Kazushige Okamoto**, Tokyo (JP); **Kenji Yokohata**, Tokyo (JP); **Yuuichi Hayata**, Kobe (JP); **Masayuki Takano**, Kobe (JP)

(73) Assignee: **Caterpillar SARL**, Geneva (CH)

(**) Term: **14 Years**

(21) Appl. No.: **29/453,595**

(22) Filed: **Apr. 30, 2013**

(30) **Foreign Application Priority Data**

Dec. 27, 2012 (JP) 2012-031854

(51) **LOC (9) Cl.** **12-09**

(52) **U.S. Cl.**
USPC **D15/24**

(58) **Field of Classification Search**
USPC D15/10, 22-26; 37/403, 411, 443;
414/685, 686, 688, 722-724;
180/89.13

See application file for complete search history.

(56) **References Cited**

U.S. PATENT DOCUMENTS

D437,602 S * 2/2001 Hiraoka et al. D15/25
D462,973 S * 9/2002 Tamaru et al. D15/25
D462,974 S * 9/2002 Yanagida et al. D15/25
D463,455 S * 9/2002 Yanagida et al. D15/25
D609,252 S * 2/2010 Shimada et al. D15/25
D658,211 S * 4/2012 Hiraoka et al. D15/25

D663,324 S * 7/2012 Fuchita et al. D15/25
D663,751 S * 7/2012 Yogita et al. D15/25
D677,703 S * 3/2013 Hiraoka et al. D15/25
D678,354 S * 3/2013 Hiraoka et al. D15/25
D682,322 S * 5/2013 Suzuki D15/25

FOREIGN PATENT DOCUMENTS

JP D1374569 S 11/2012

* cited by examiner

Primary Examiner — Mark Goodwin

(74) *Attorney, Agent, or Firm* — Law Office of Katsuhiko Arai

(57) **CLAIM**

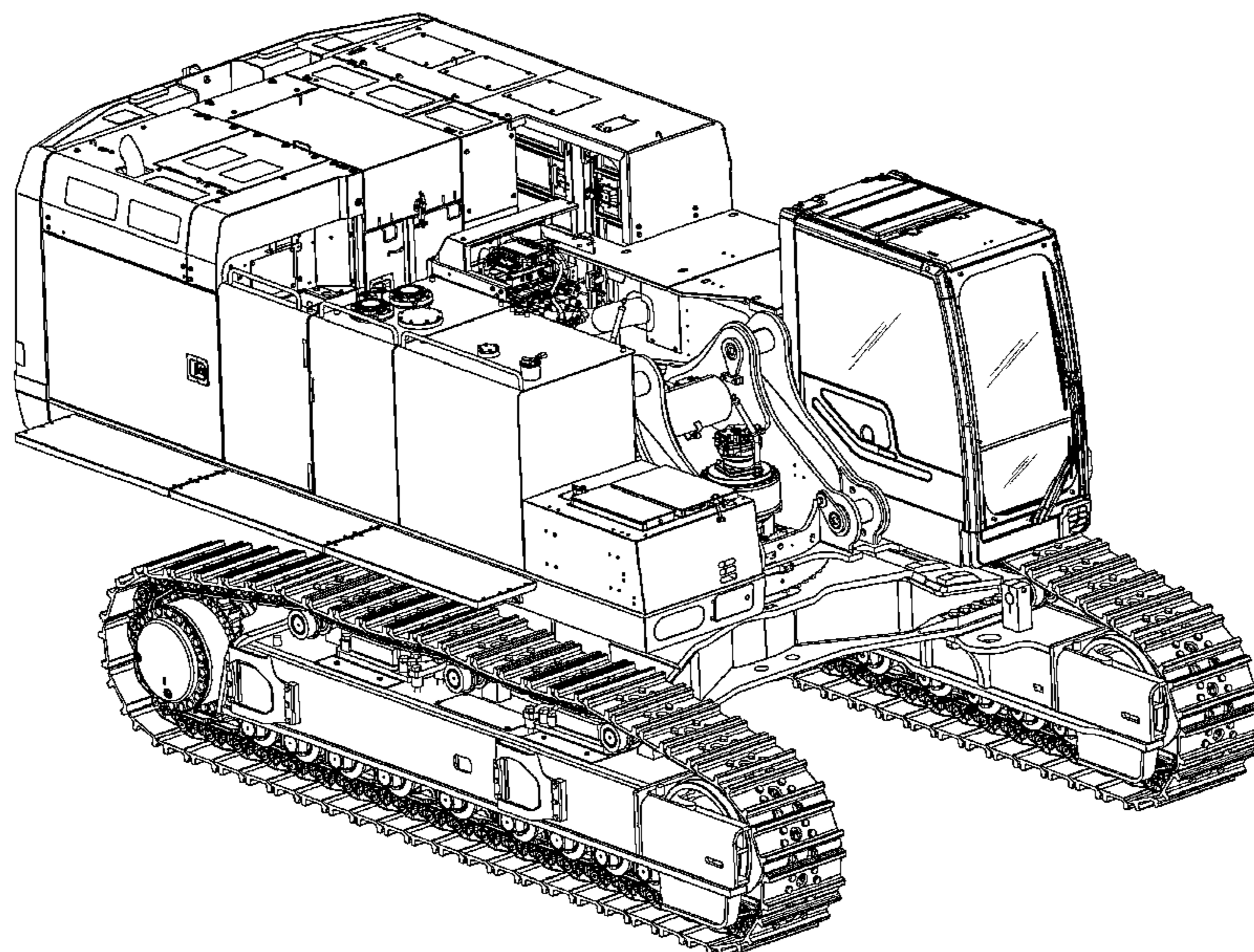
The ornamental design for a caterpillar car for a power shovel, as shown and described.

DESCRIPTION

FIG. 1 is a front elevational view of the caterpillar car for power shovel showing our new design; FIG. 2 is a rear elevation thereof; FIG. 3 is a left side elevation thereof; FIG. 4 is a right side elevation thereof; FIG. 5 is a plan view thereof; FIG. 6 is a front left perspective view thereof; FIG. 7 is a front right perspective view thereof; FIG. 8 is a rear right perspective view thereof; and, FIG. 9 is a rear left perspective view thereof.

The portions at the front right of the design with oblique line shading in FIGS. 1, 3, 4, and 6-9 are illustrated as being transparent and an internal structure is omitted. A bottom elevation is omitted since the caterpillar car is a heavy vehicle and is generally not seen from the bottom, and also the design can accurately be understood without a bottom elevation.

1 Claim, 9 Drawing Sheets



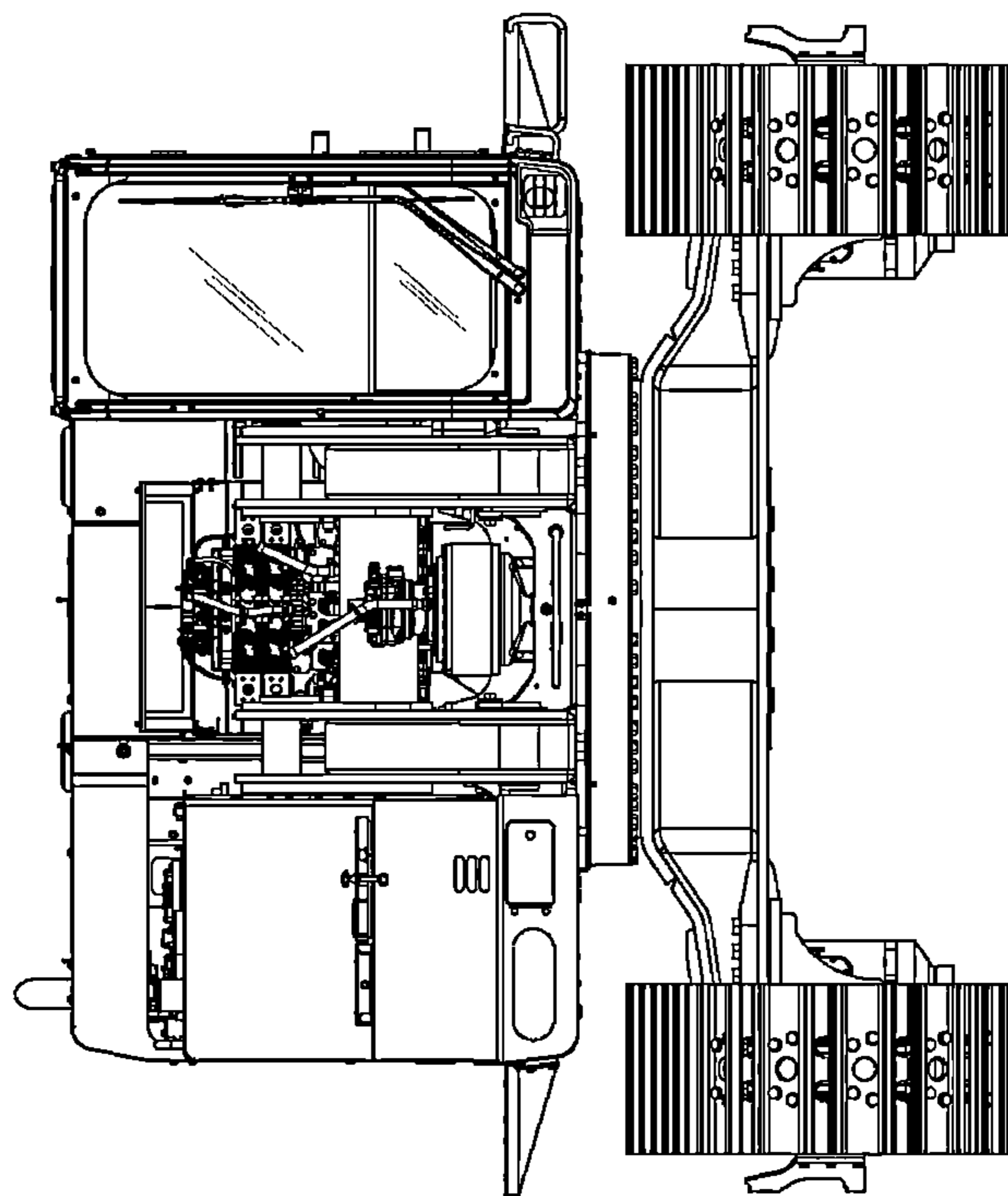


FIG. 1

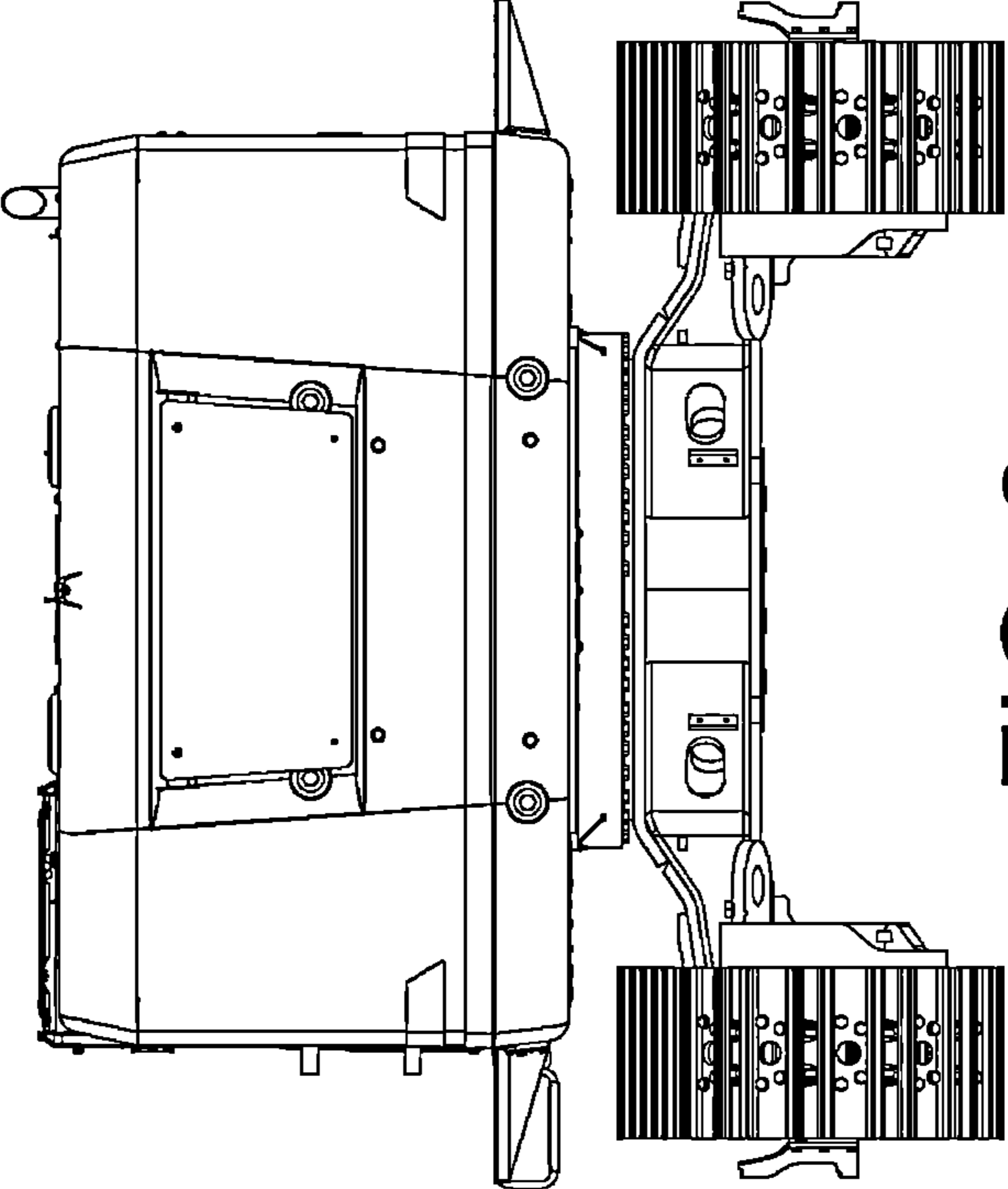


FIG. 2

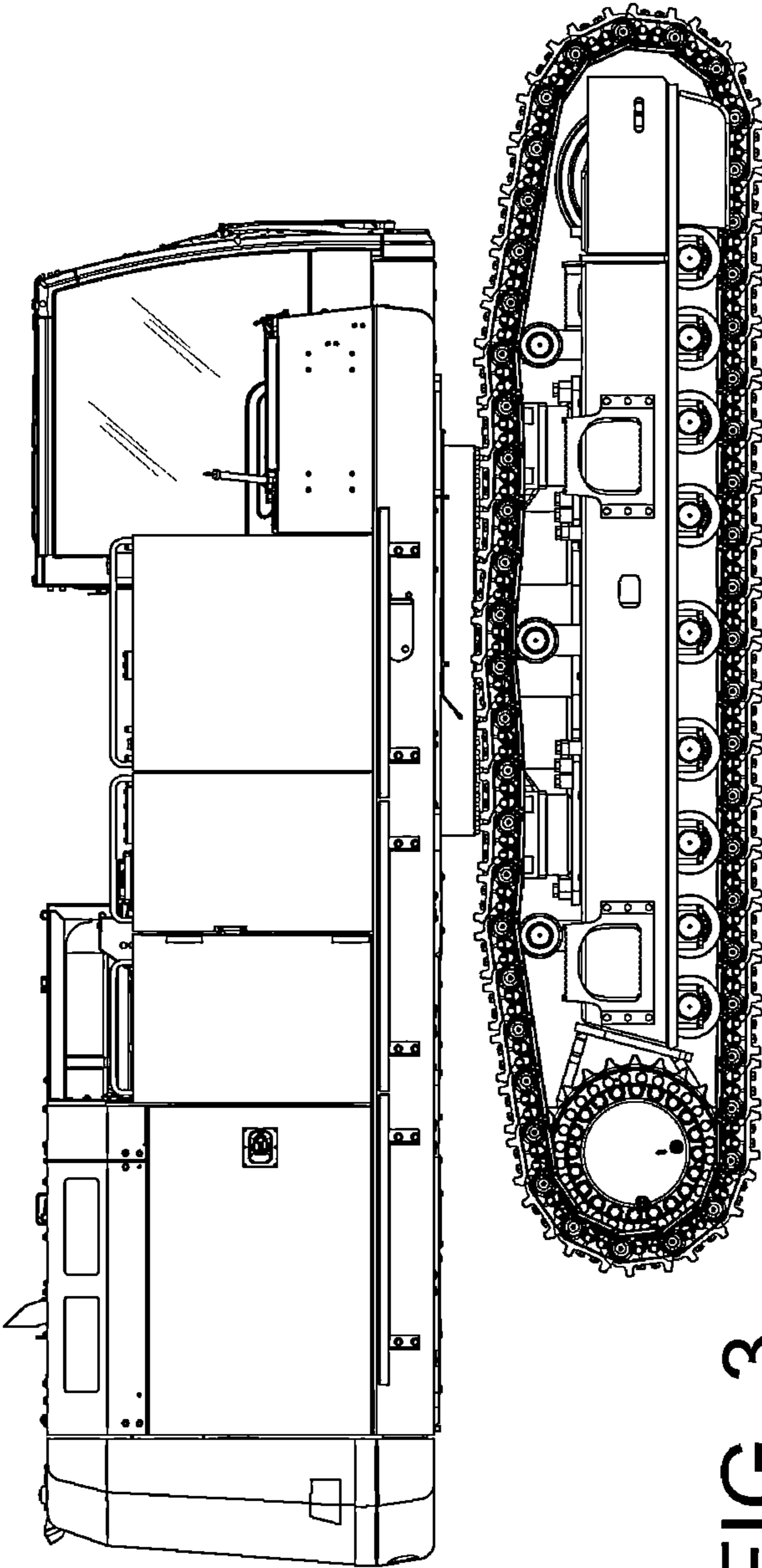


FIG. 3

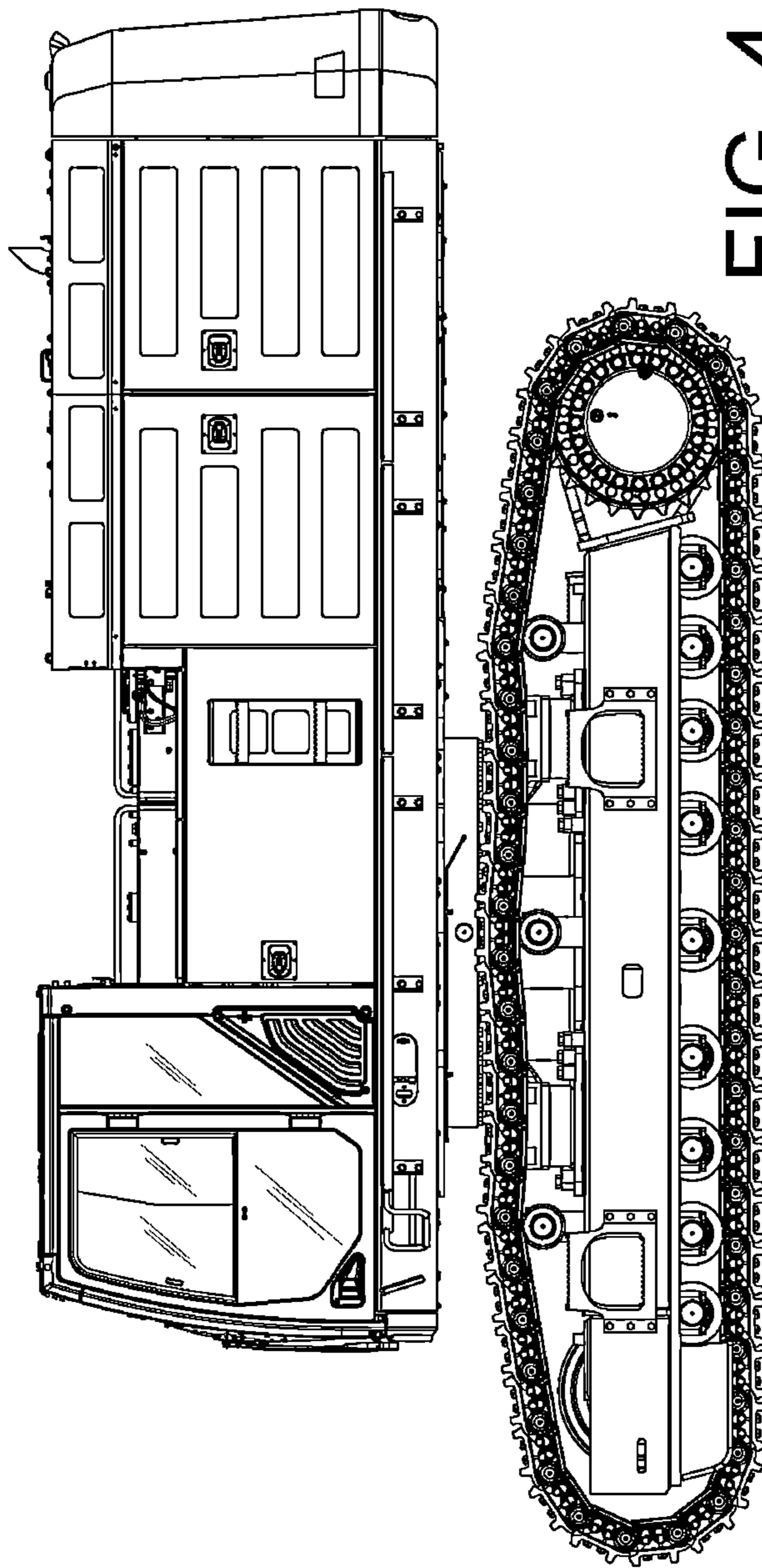


FIG. 4

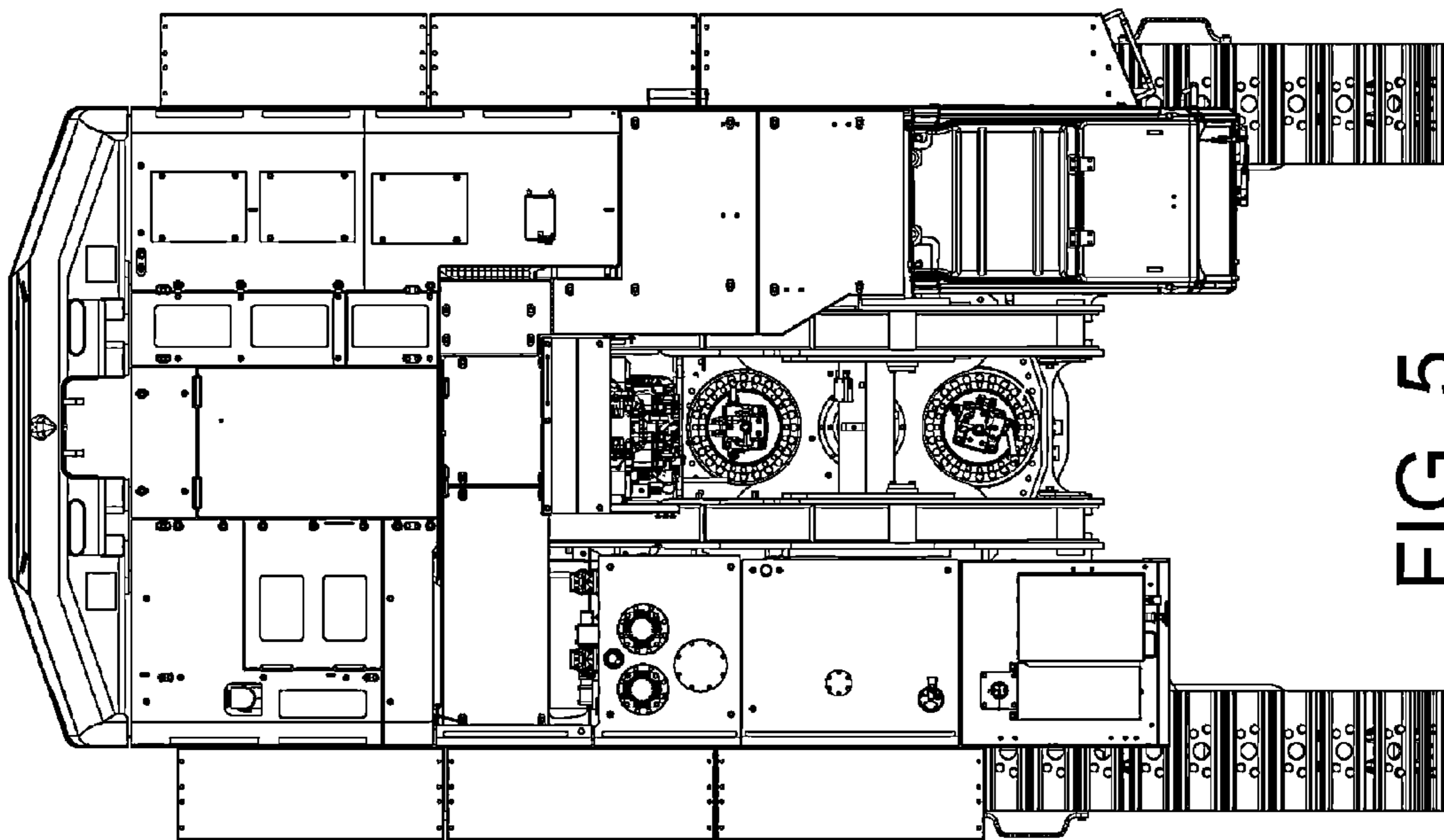


FIG. 5

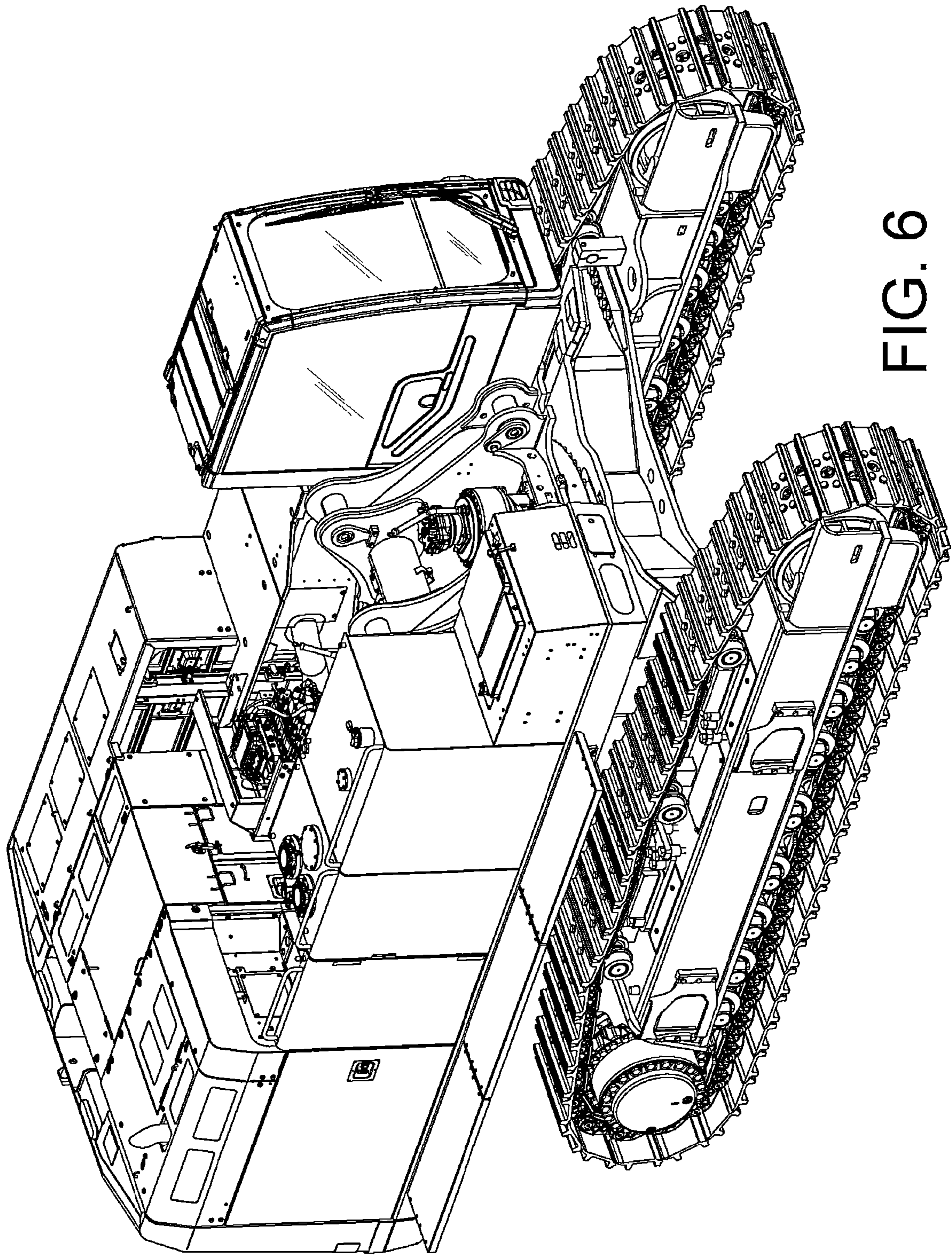


FIG. 6

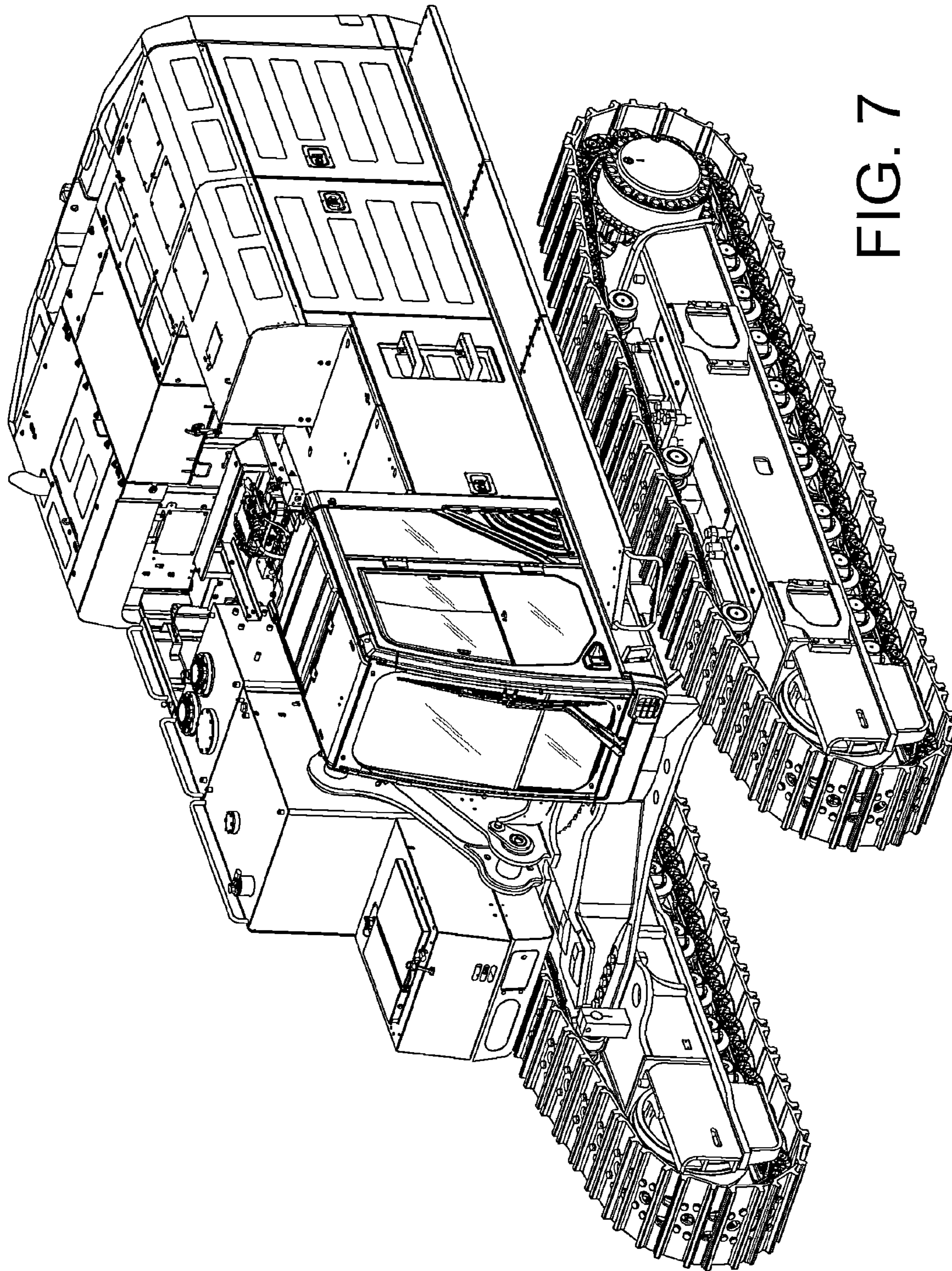


FIG. 7

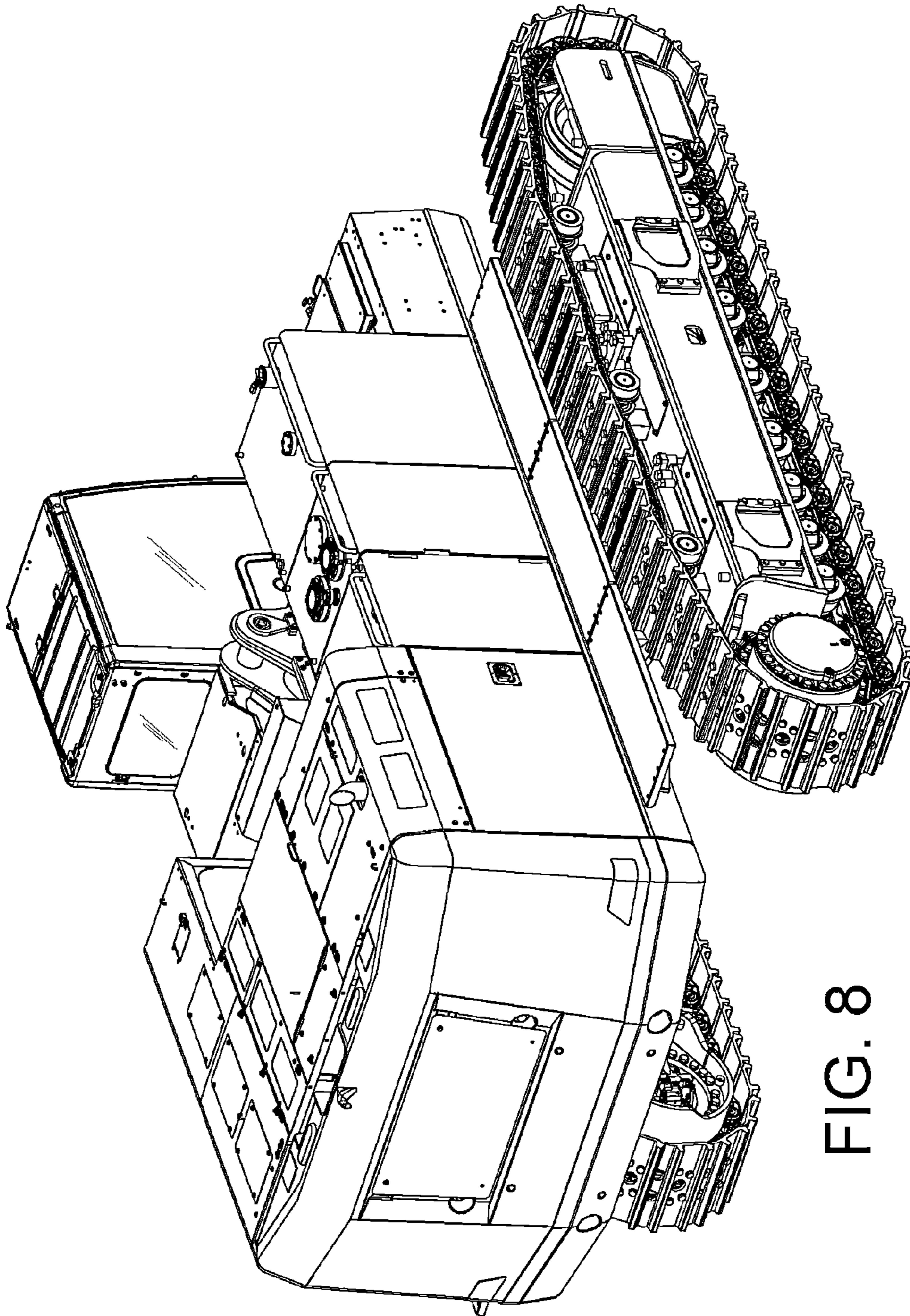


FIG. 8

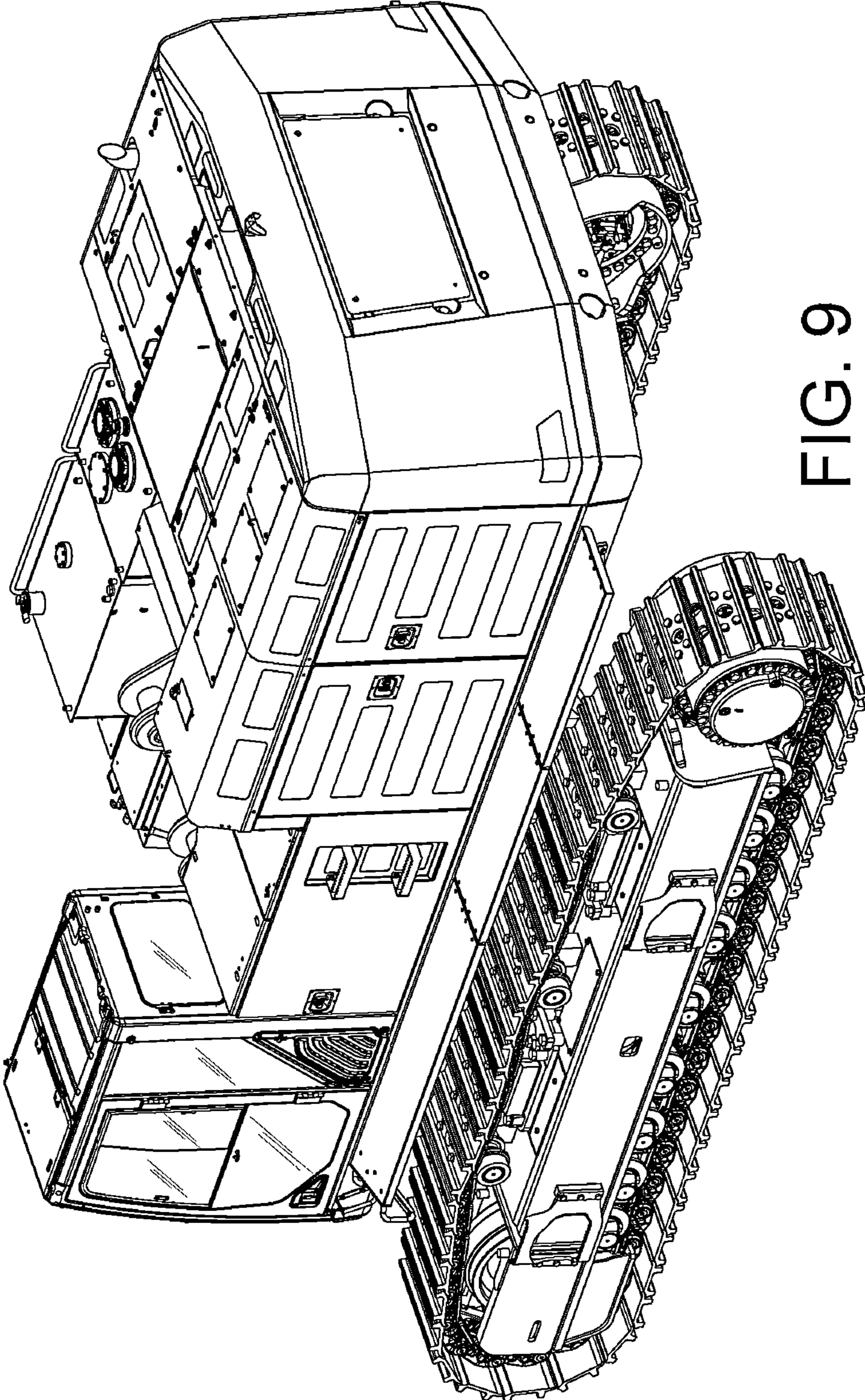


FIG. 9