

US00D692463S

(12) **United States Design Patent**
Matsui et al.

(10) **Patent No.:** **US D692,463 S**
(45) **Date of Patent:** **** Oct. 29, 2013**

- (54) **TRACTOR**
- (75) Inventors: **Yutaka Matsui**, Osaka (JP); **Shinya Kawashiri**, Osaka (JP)
- (73) Assignee: **Yanmar Co., Ltd.**, Osaka (JP)
- (**) Term: **14 Years**
- (21) Appl. No.: **29/431,224**
- (22) Filed: **Sep. 5, 2012**
- (51) **LOC (9) Cl.** **12-09**
- (52) **U.S. Cl.**
USPC **D15/23**
- (58) **Field of Classification Search**
USPC D15/10, 14-17, 22-26; 56/13.4, 13.3,
56/15.8, 15.9, 16.1, 16.7, 175, 202;
180/89.1, 89.12, 900
See application file for complete search history.

- D553,159 S * 10/2007 Higashikawa et al. D15/23
- D581,953 S * 12/2008 Matsumoto et al. D15/23
- D599,826 S * 9/2009 Kuwae D15/26
- D605,668 S * 12/2009 Matsumoto et al. D15/23
- D613,313 S * 4/2010 Bhanuprakash D15/23
- D622,292 S * 8/2010 Ryczek et al. D15/15
- D622,295 S * 8/2010 Ryczek et al. D15/31
- D678,353 S * 3/2013 Kakudate et al. D15/23

* cited by examiner

Primary Examiner — Mark Goodwin
(74) *Attorney, Agent, or Firm* — Jordan and Hamburg LLP

(57) **CLAIM**
We claim the ornamental design for a tractor, as shown and described.

DESCRIPTION

FIG. 1 is a front-side perspective view of a tractor embodying our new design;
FIG. 2 is a left side view of the tractor;
FIG. 3 is a right side view of the tractor;
FIG. 4 is a top plan view of the tractor;
FIG. 5 is a bottom view of the tractor;
FIG. 6 is a front view of the tractor; and,
FIG. 7 is a rear view of the tractor.

1 Claim, 7 Drawing Sheets

- (56) **References Cited**
U.S. PATENT DOCUMENTS
D438,546 S * 3/2001 Katoh et al. D15/23
D501,487 S * 2/2005 Katoh et al. D15/23
D547,333 S * 7/2007 Nishi et al. D15/23

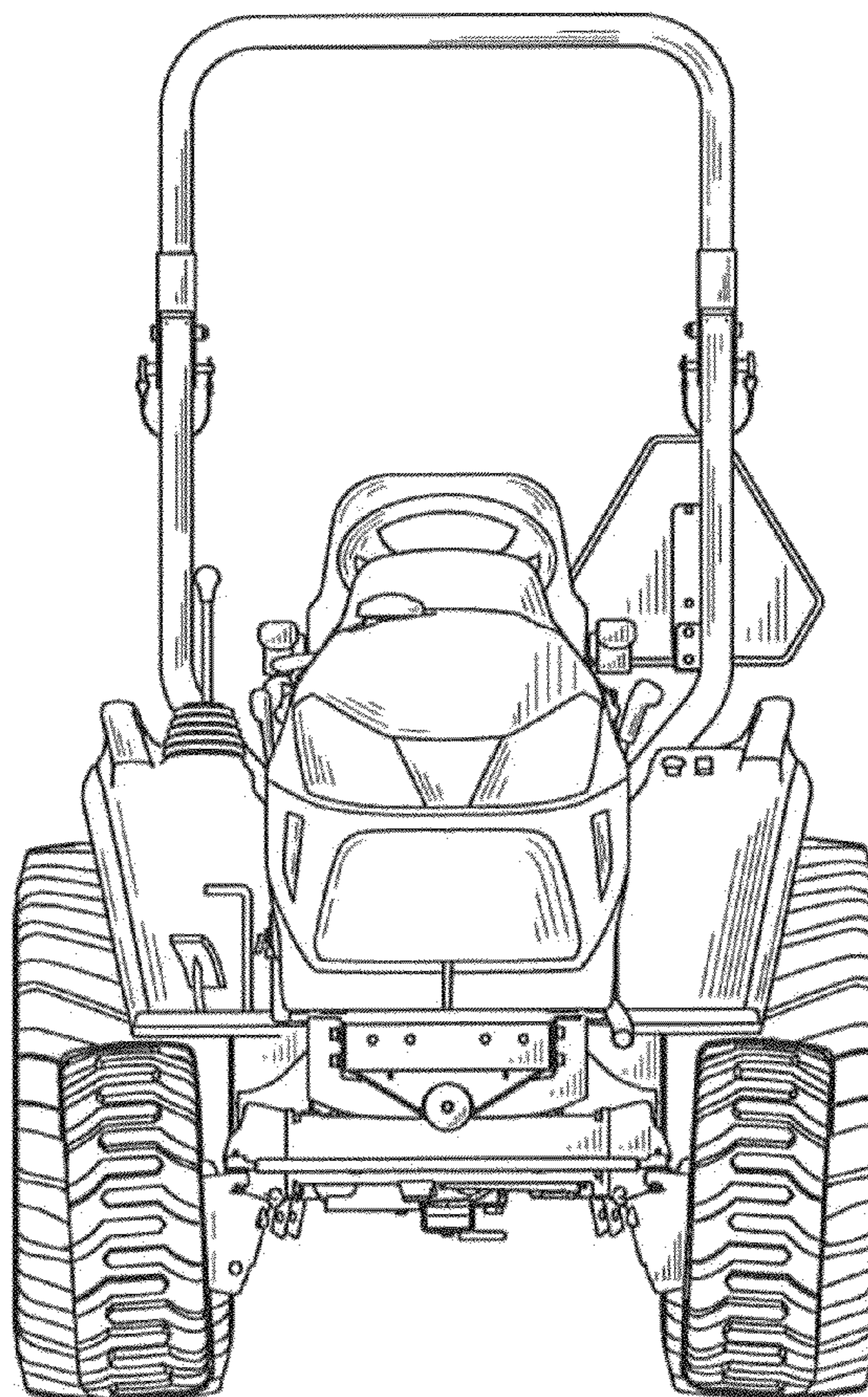


Fig. 1

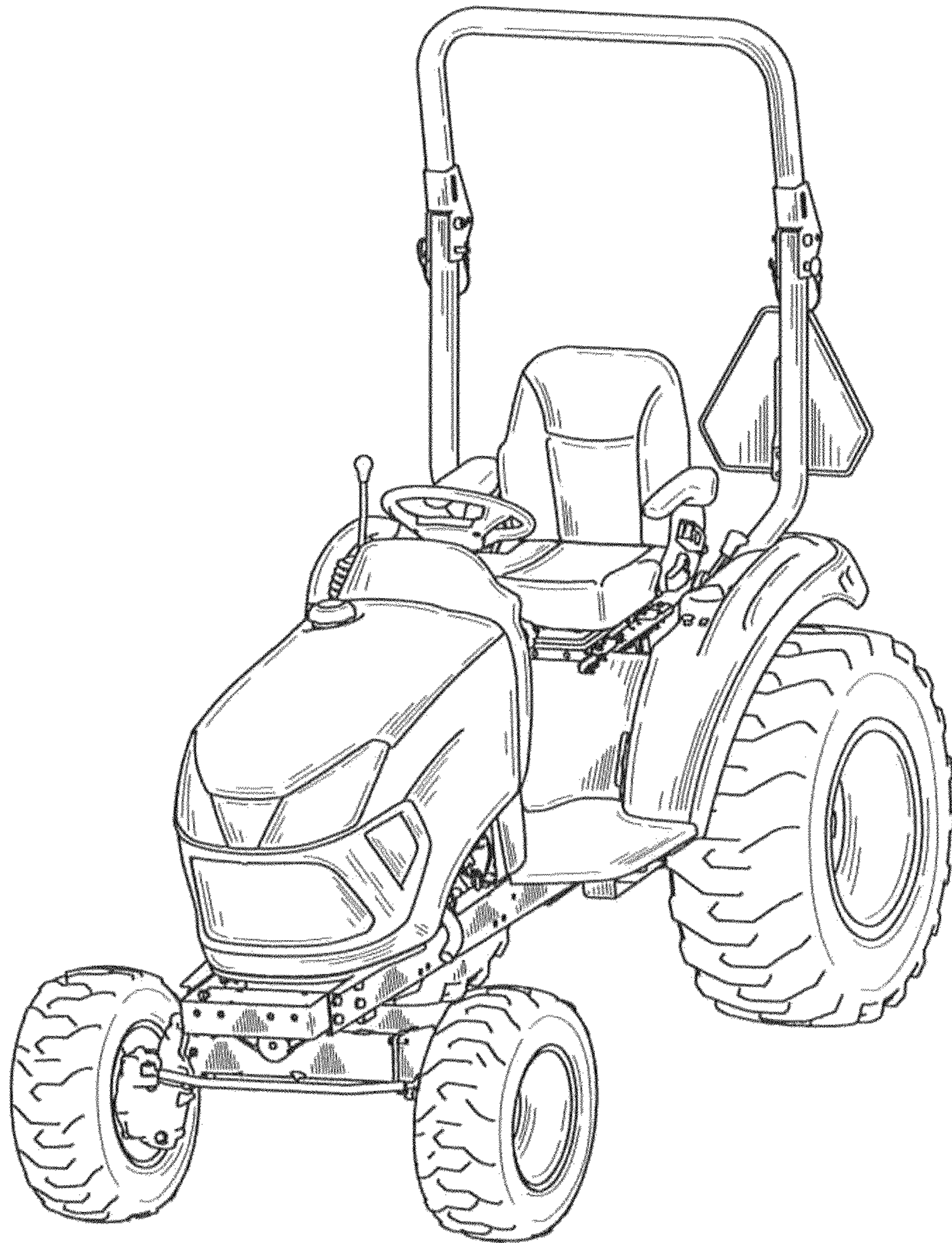


Fig. 2

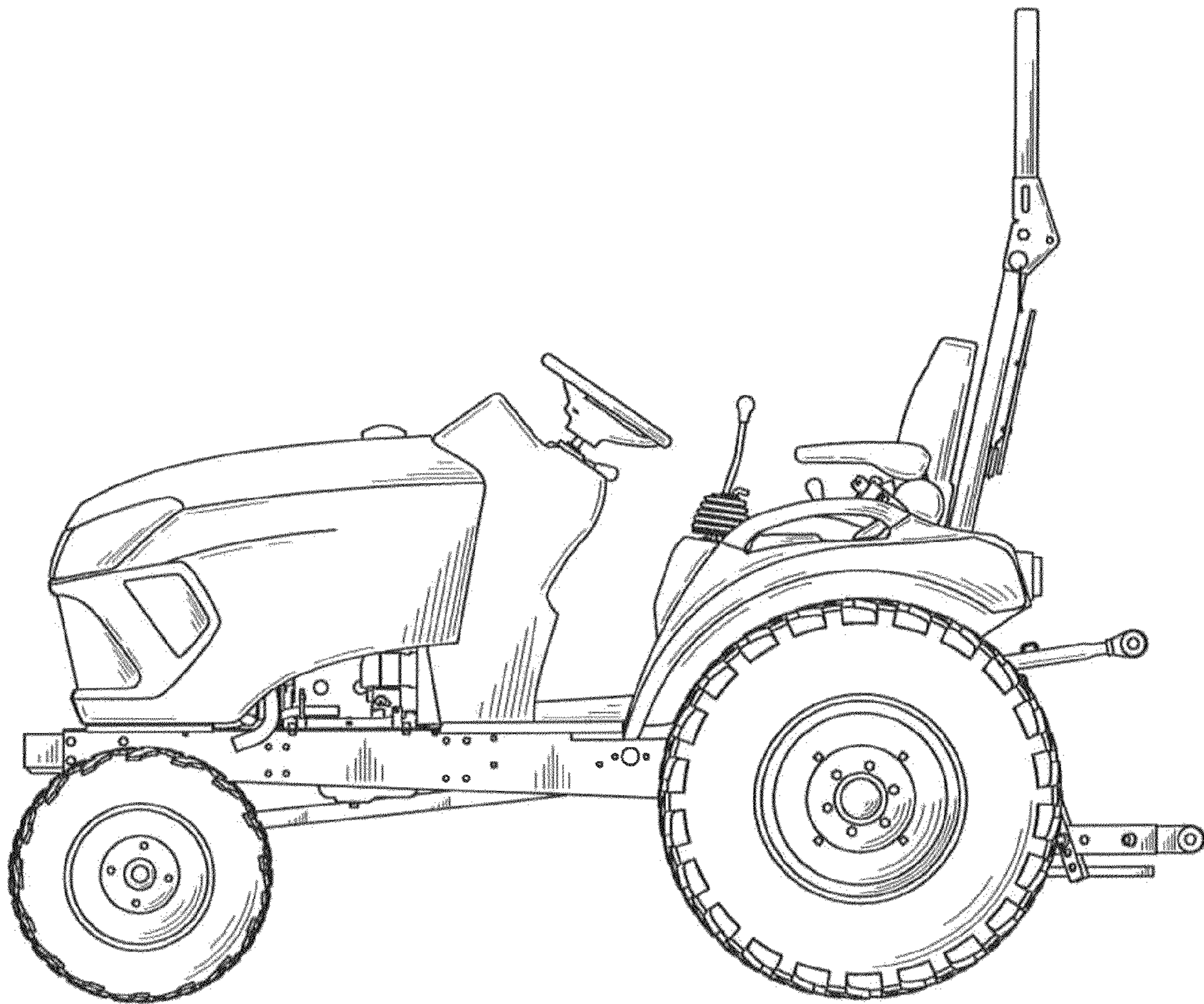


Fig. 3

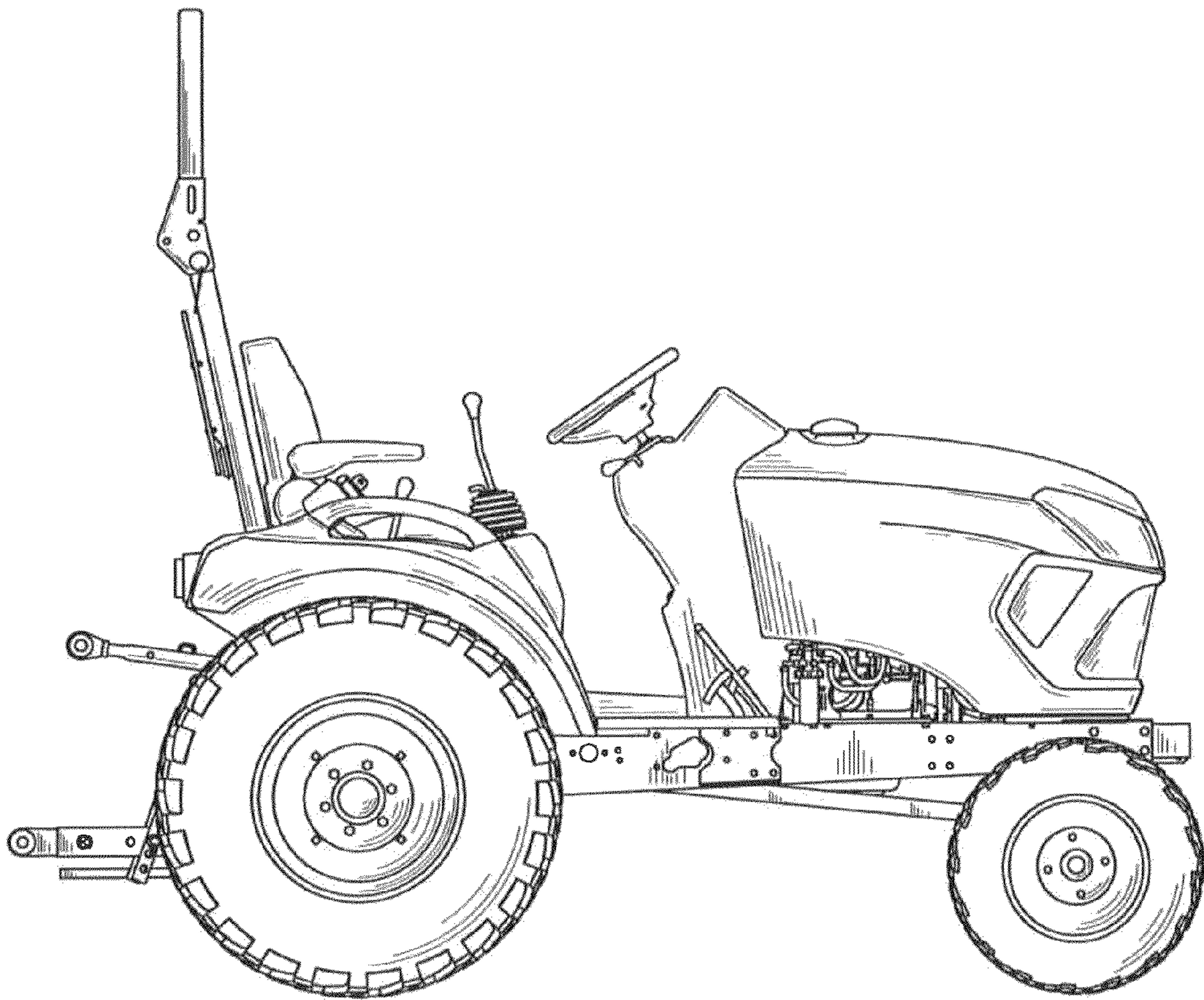


Fig. 4

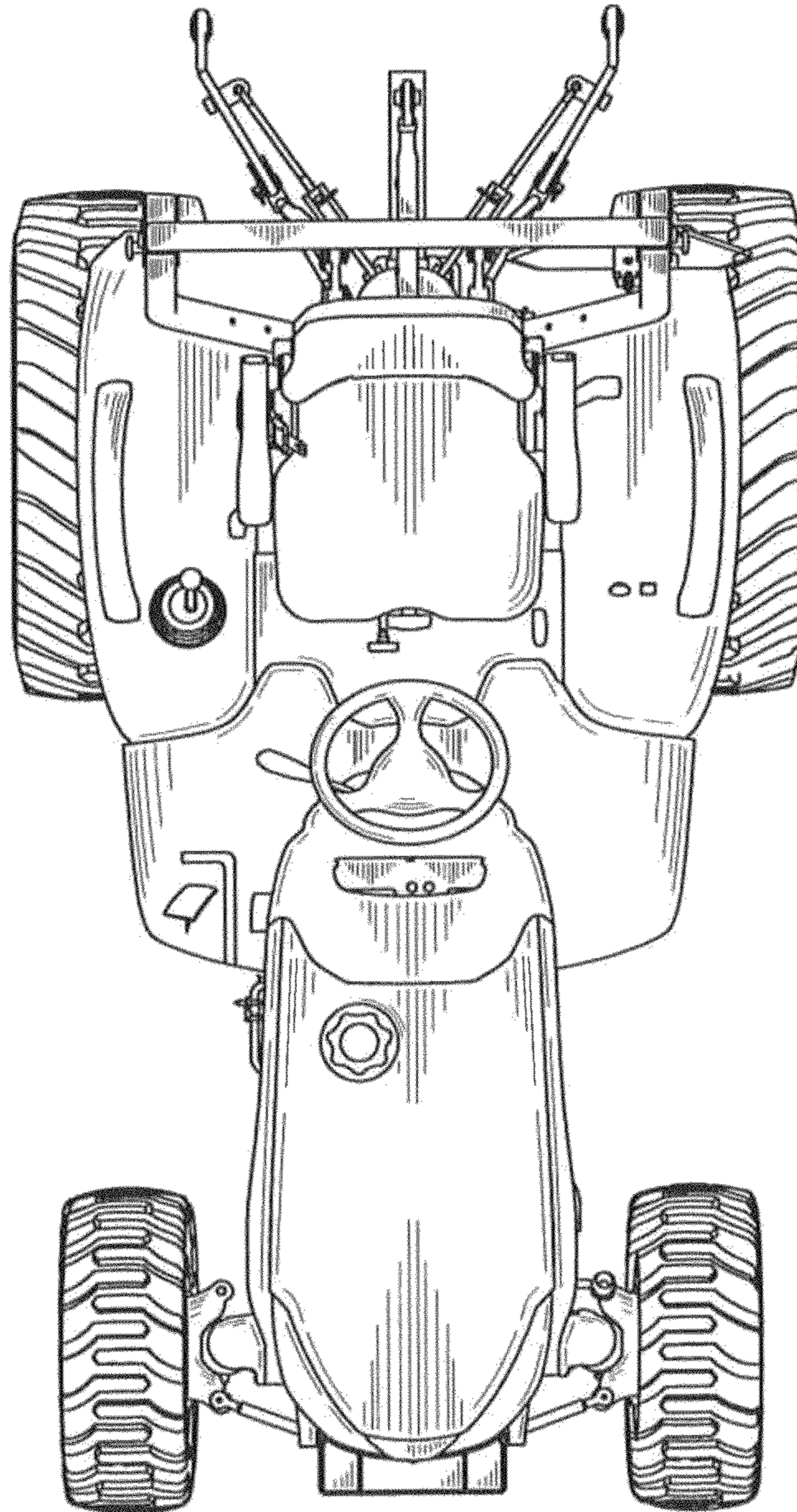


Fig. 5

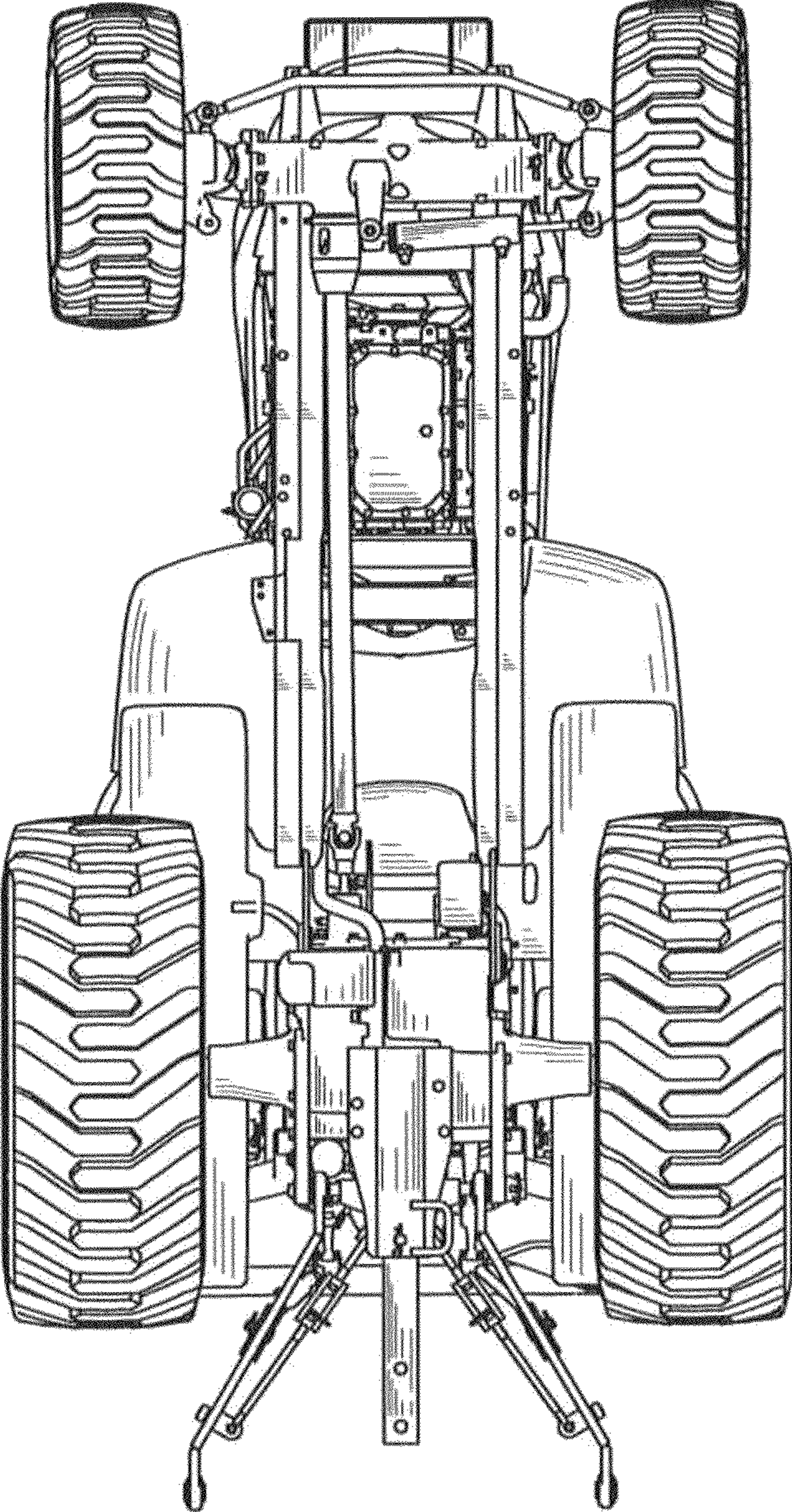


Fig. 6

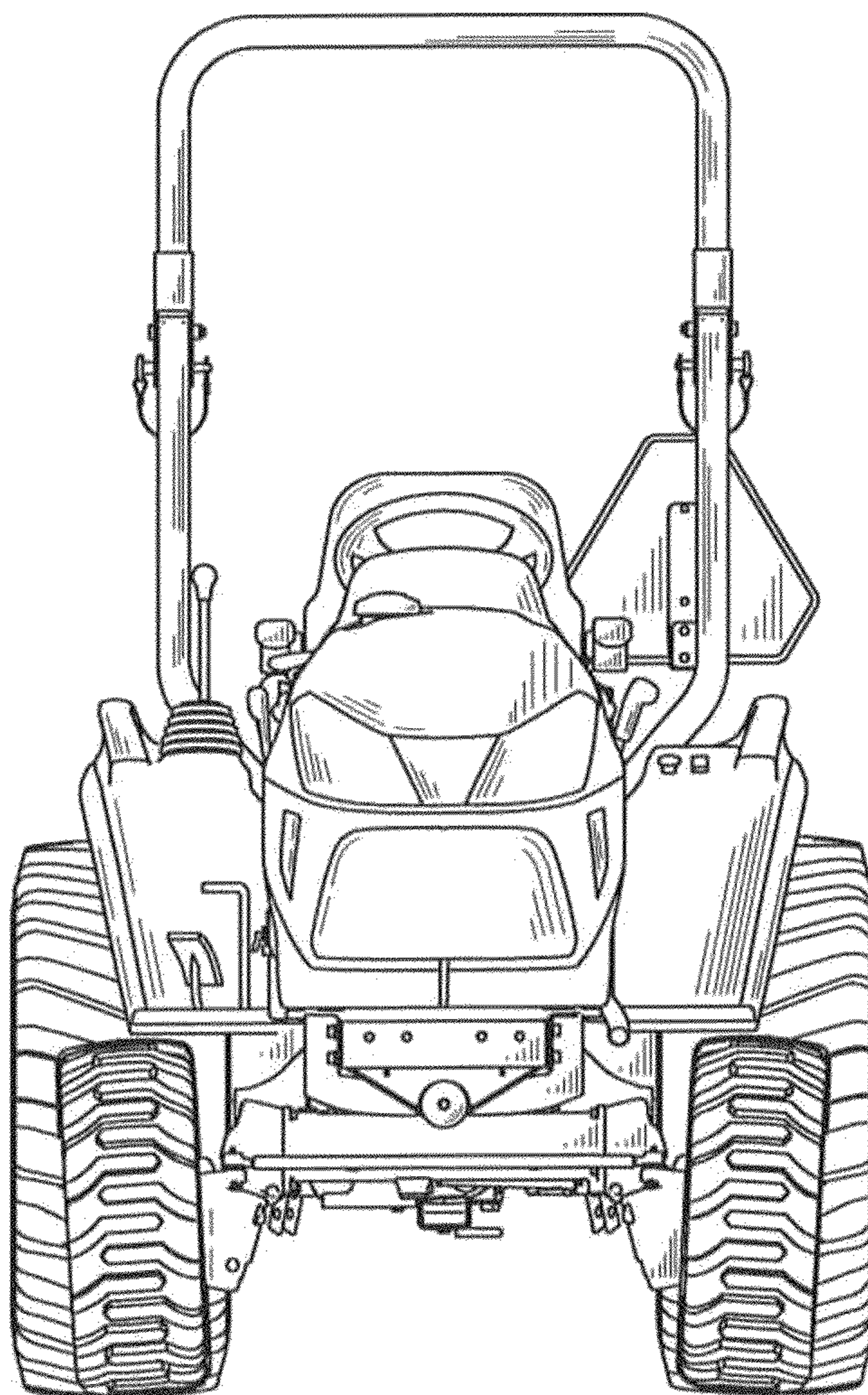


Fig. 7

