

US00D692462S

(12) **United States Design Patent**
Scampoli

(10) **Patent No.:** **US D692,462 S**

(45) **Date of Patent:** **** Oct. 29, 2013**

(54) **GAS SAMPLING CHAMBER (PUMP HEAD)**

(75) **Inventor:** **David Scampoli**, South Glastonbury, CT (US)

(73) **Assignee:** **Koninklijke Philips N.V.**, Eindhoven (NL)

(**) **Term:** **14 Years**

(21) **Appl. No.:** **29/428,331**

(22) **Filed:** **Jul. 30, 2012**

(30) **Foreign Application Priority Data**

Jan. 31, 2012 (EM) 001983909-0003

(51) **LOC (9) Cl.** **15-02**

(52) **U.S. Cl.**
USPC **D15/7**

(58) **Field of Classification Search**
USPC D15/7-9; D23/231, 232, 225; 417/60, 417/235, 265, 321, 355, 358, 363, 359, 417/410.1, 415-416, 405, 900, 43, 554; 60/408, 412; 184/26-37; 415/140-147; 123/495, 509; 166/105.1, 105.2, 311; 604/73; D24/109

See application file for complete search history.

(56) **References Cited**

U.S. PATENT DOCUMENTS

D258,961 S *	4/1981	Martin	D15/7
D286,292 S *	10/1986	Kingston	D15/9
D352,041 S *	11/1994	Hansen	D15/9
D384,675 S *	10/1997	Murakami et al.	D15/7
D589,532 S *	3/2009	Ehrlich et al.	D15/7
D644,666 S *	9/2011	Fukano et al.	D15/7
D677,281 S *	3/2013	Muller et al.	D15/7

* cited by examiner

Primary Examiner — Ralf Seifert

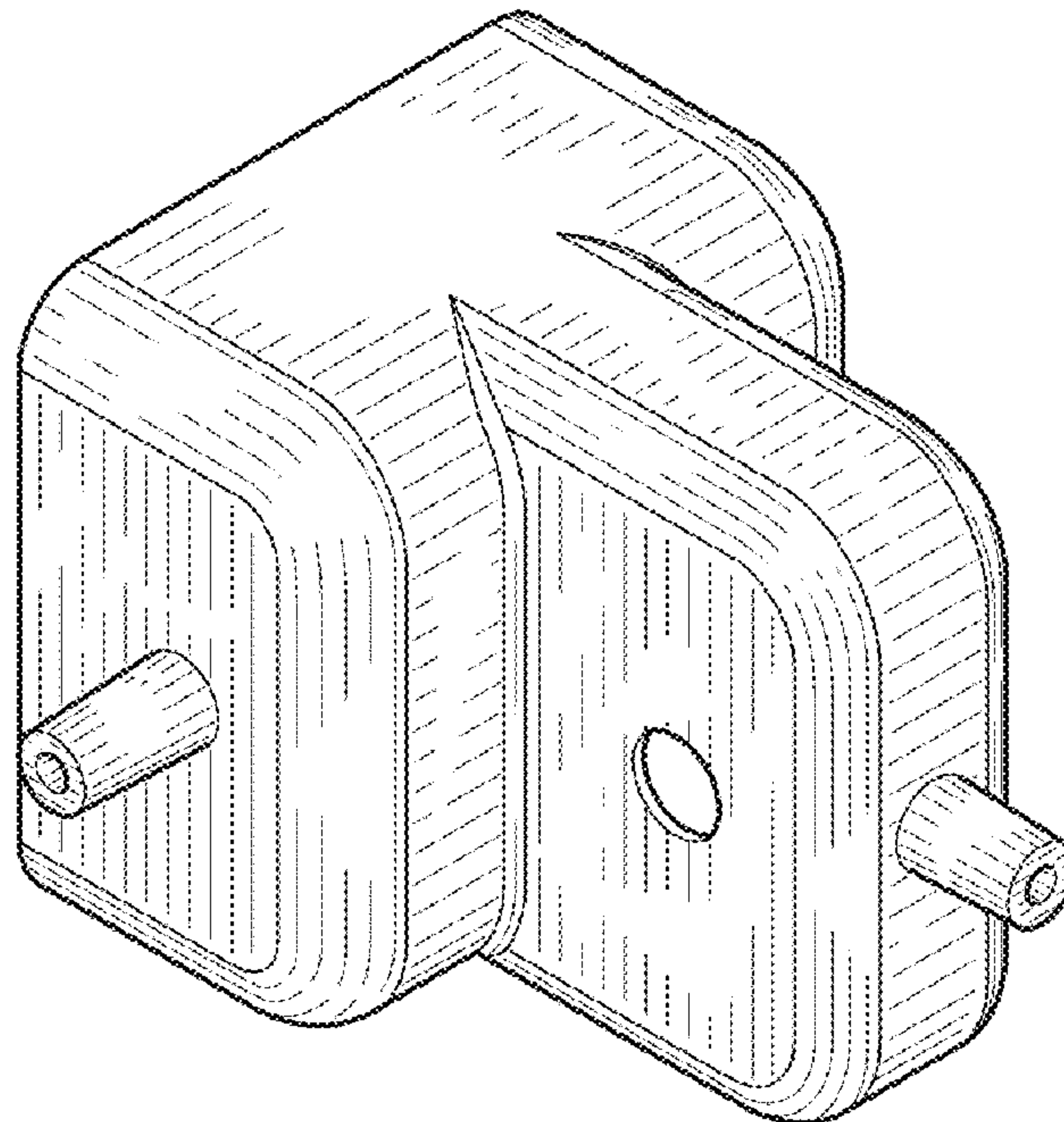
(57) **CLAIM**

The ornamental design for a gas sampling chamber (pump head), as shown.

DESCRIPTION

FIG. 1 is a perspective view showing my design;
FIG. 2 is a front elevational view thereof;
FIG. 3 is a rear elevational view thereof;
FIG. 4 is a right side elevational view thereof;
FIG. 5 is a left side elevational view thereof;
FIG. 6 is a top plan view thereof; and,
FIG. 7 is a bottom plan view thereof.

1 Claim, 2 Drawing Sheets



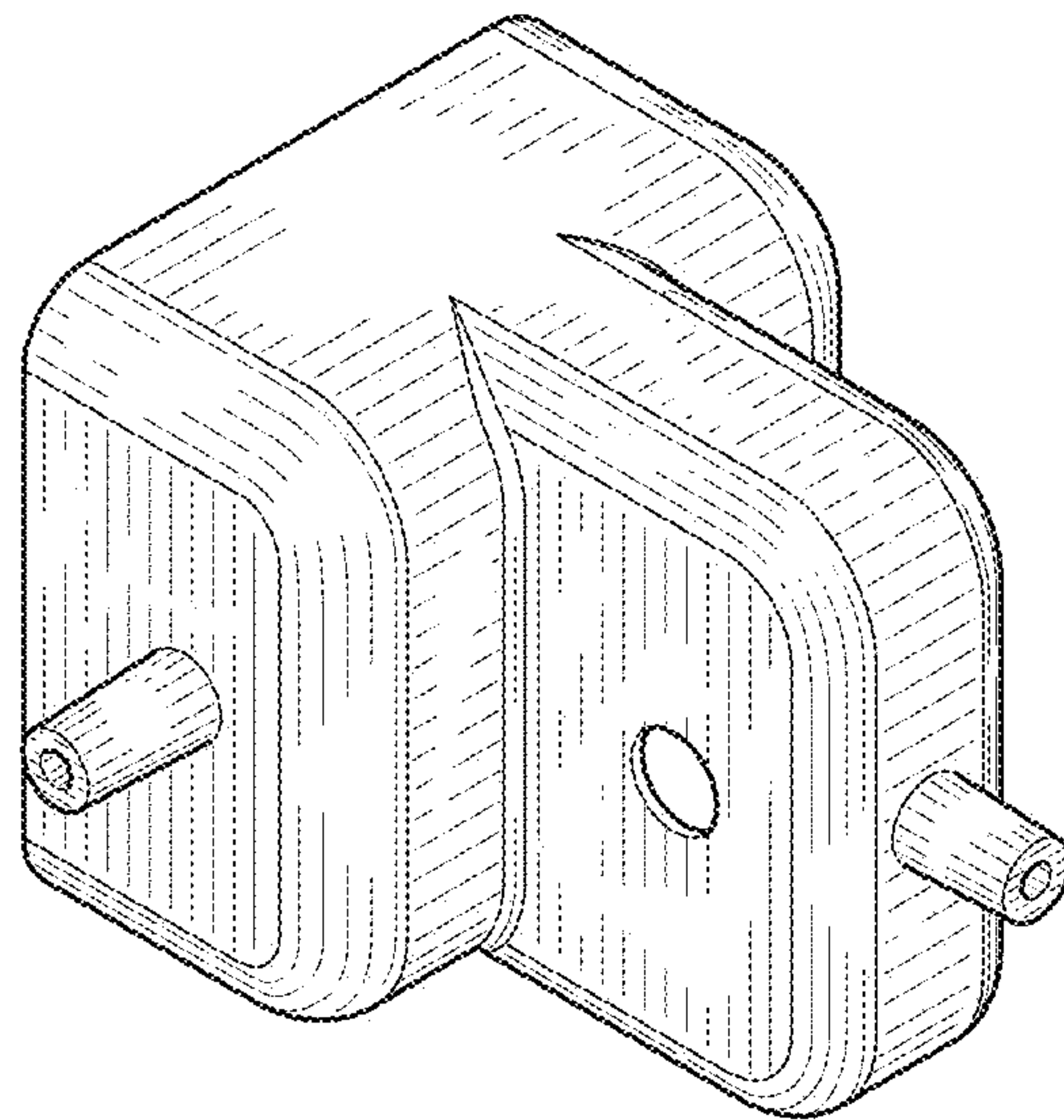


FIG. 1

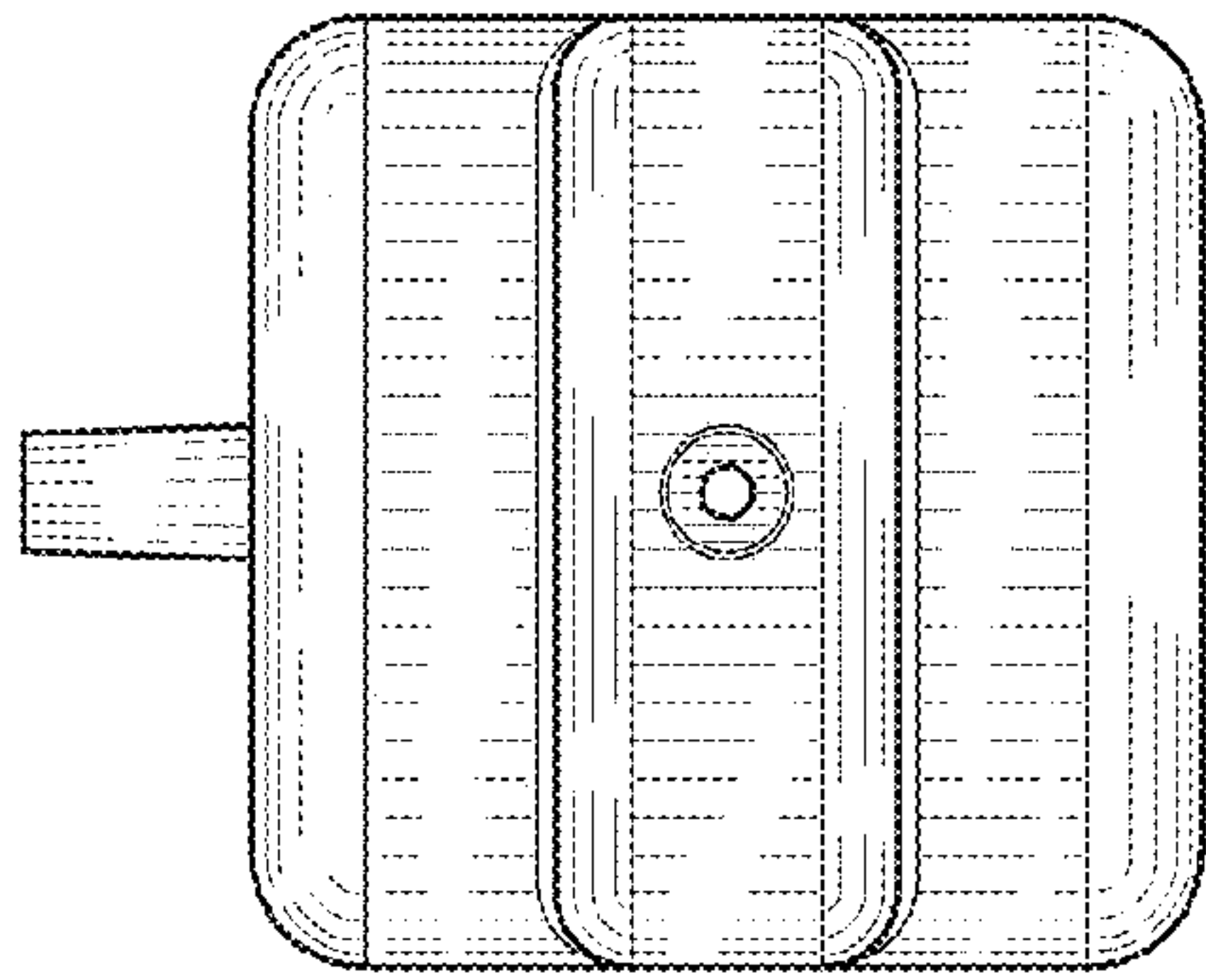


FIG. 2

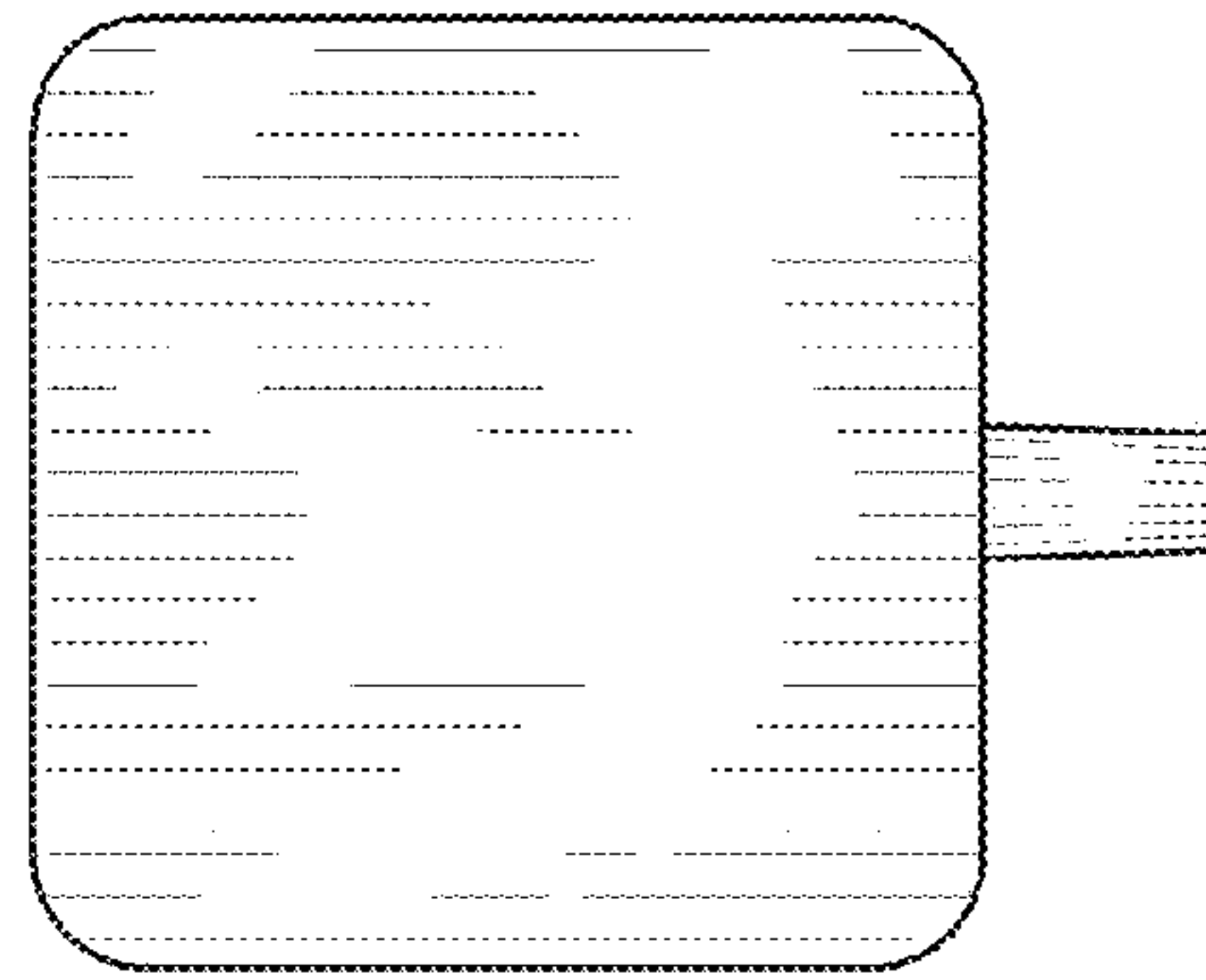


FIG. 3

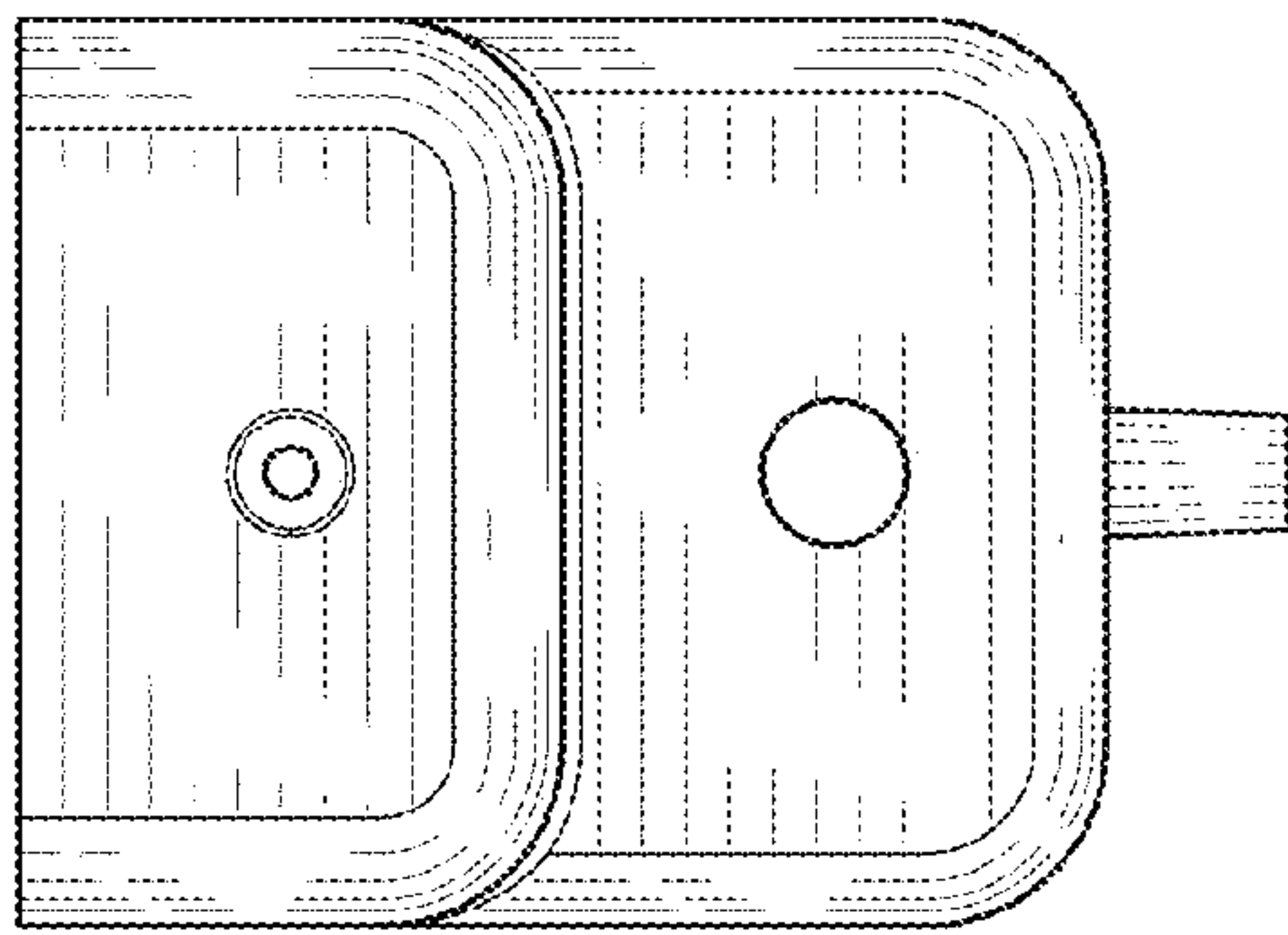


FIG. 4

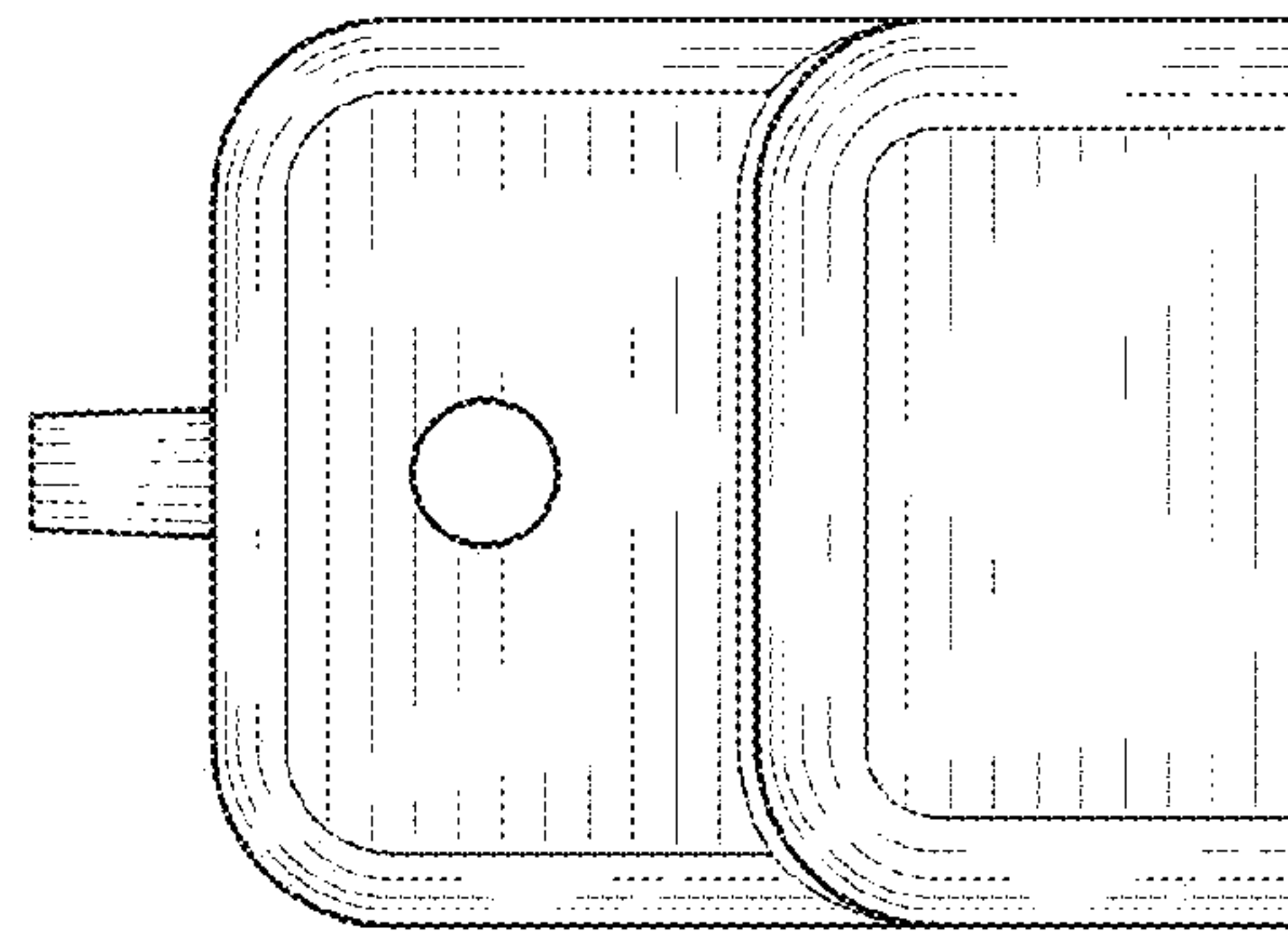


FIG. 5

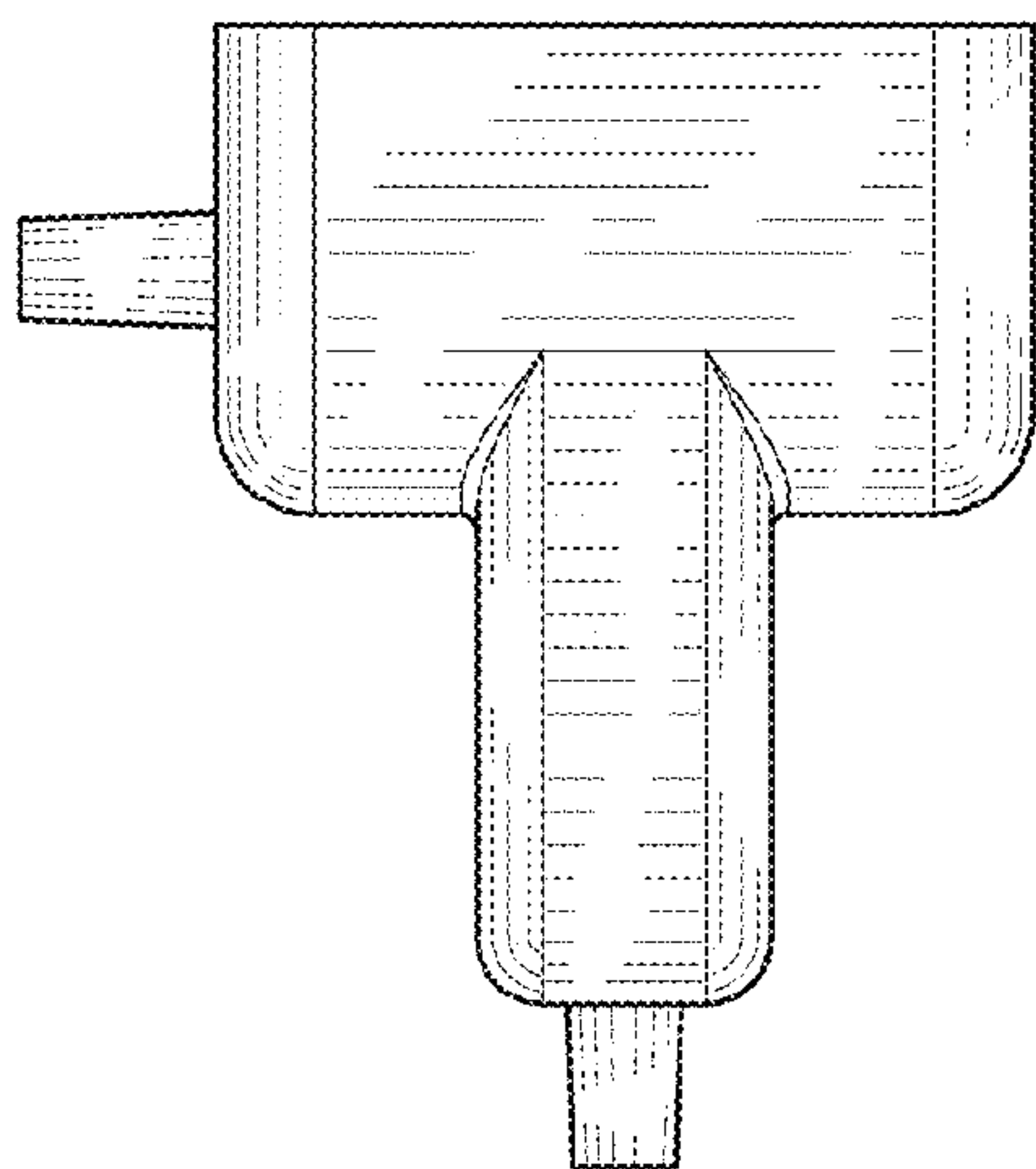


FIG. 6

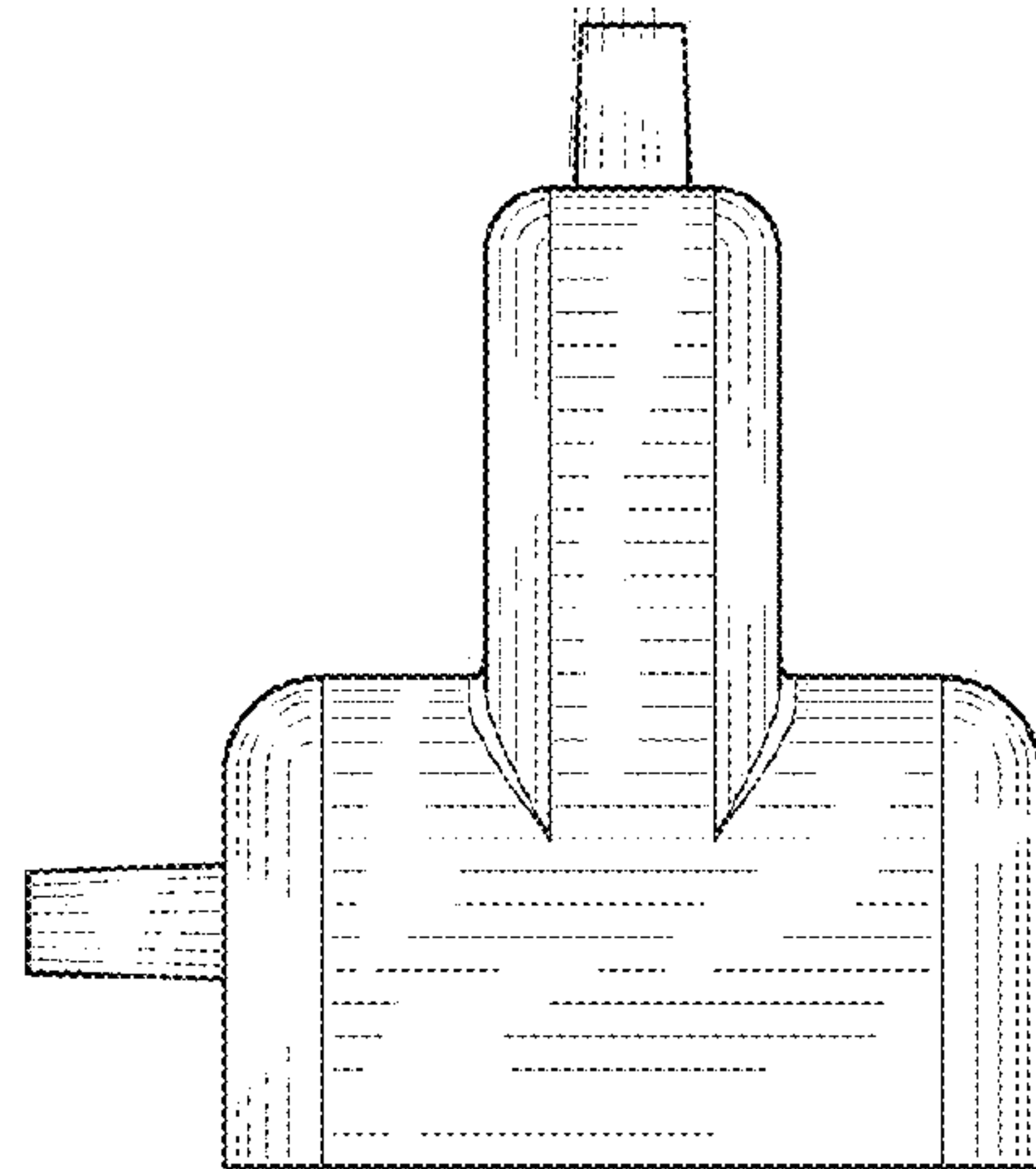


FIG. 7