



US00D692461S

(12) **United States Design Patent**  
**Langford et al.**

(10) **Patent No.:** **US D692,461 S**  
(45) **Date of Patent:** **\*\* Oct. 29, 2013**

(54) **TELEHANDLER ENGINE POD**

(75) Inventors: **Simon Langford**, Rocester (GB); **Chris Price**, Rocester (GB); **Mike Turner**, Rocester (GB)

(73) Assignee: **J.C. Bamford Excavators Limited**, Rocester, Uttoxer, Staffordshire (GB)

(\*\*) Term: **14 Years**

(21) Appl. No.: **29/425,327**

(22) Filed: **Jun. 21, 2012**

(30) **Foreign Application Priority Data**

Jun. 15, 2012 (EM) ..... 001331888-0001

(51) **LOC (9) Cl.** ..... **15-01**

(52) **U.S. Cl.**  
USPC ..... **D15/5**

(58) **Field of Classification Search**  
USPC ..... D15/1-6, 28, 17, 33; D13/184;  
180/89.12, 89.13, 89.17, 900, 89.19,  
180/297, 298

See application file for complete search history.

(56) **References Cited**

**U.S. PATENT DOCUMENTS**

D627,800 S \* 11/2010 Berning et al. .... D15/28  
D627,802 S \* 11/2010 Berning et al. .... D15/28

**OTHER PUBLICATIONS**

Color Photograph of Telehandler Engine Pod, JC Bamford Excavators Limited (available in the US before Jun. 21, 2012).

\* cited by examiner

*Primary Examiner* — T. Chase Nelson

*Assistant Examiner* — Ania Aman

(74) *Attorney, Agent, or Firm* — Marshall, Gerstein & Borun LLP

(57) **CLAIM**

The ornamental design for a telehandler engine pod, as shown and described.

**DESCRIPTION**

FIG. 1 is a front, top, and left-side perspective view of a telehandler engine pod that has the design.

FIG. 2 is a back, top, and left-side perspective view of the telehandler engine pod.

FIG. 3 is a top plan view of the telehandler engine pod.

FIG. 4 is left-side elevation view.

FIG. 5 is a bottom plan view.

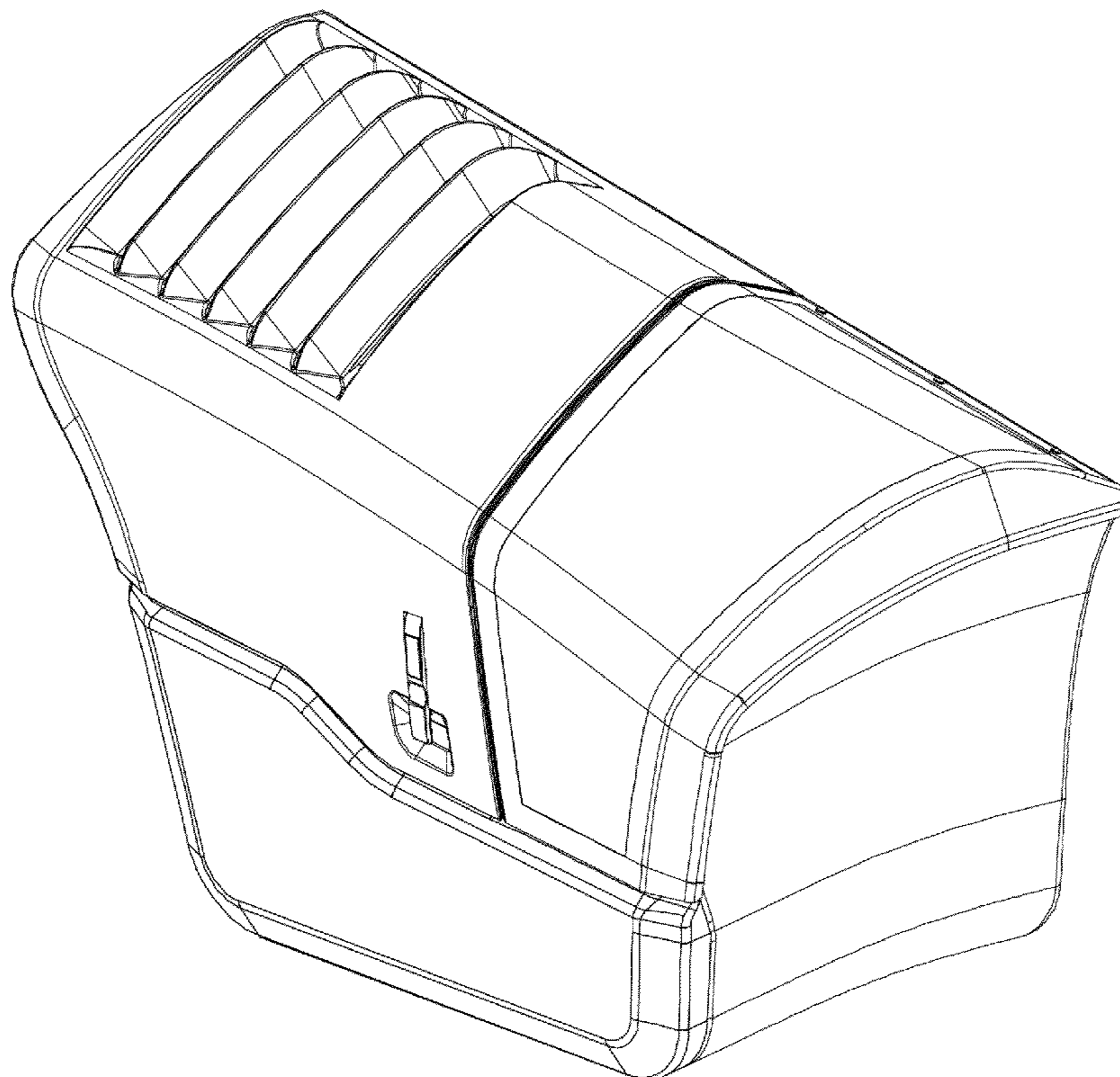
FIG. 6 is front elevation view.

FIG. 7 is a right-side elevation view; and,

FIG. 8 is rear elevation view.

The broken lines in FIG. 7 represent parts of the telehandler engine pod that form no part of the claimed invention.

**1 Claim, 5 Drawing Sheets**



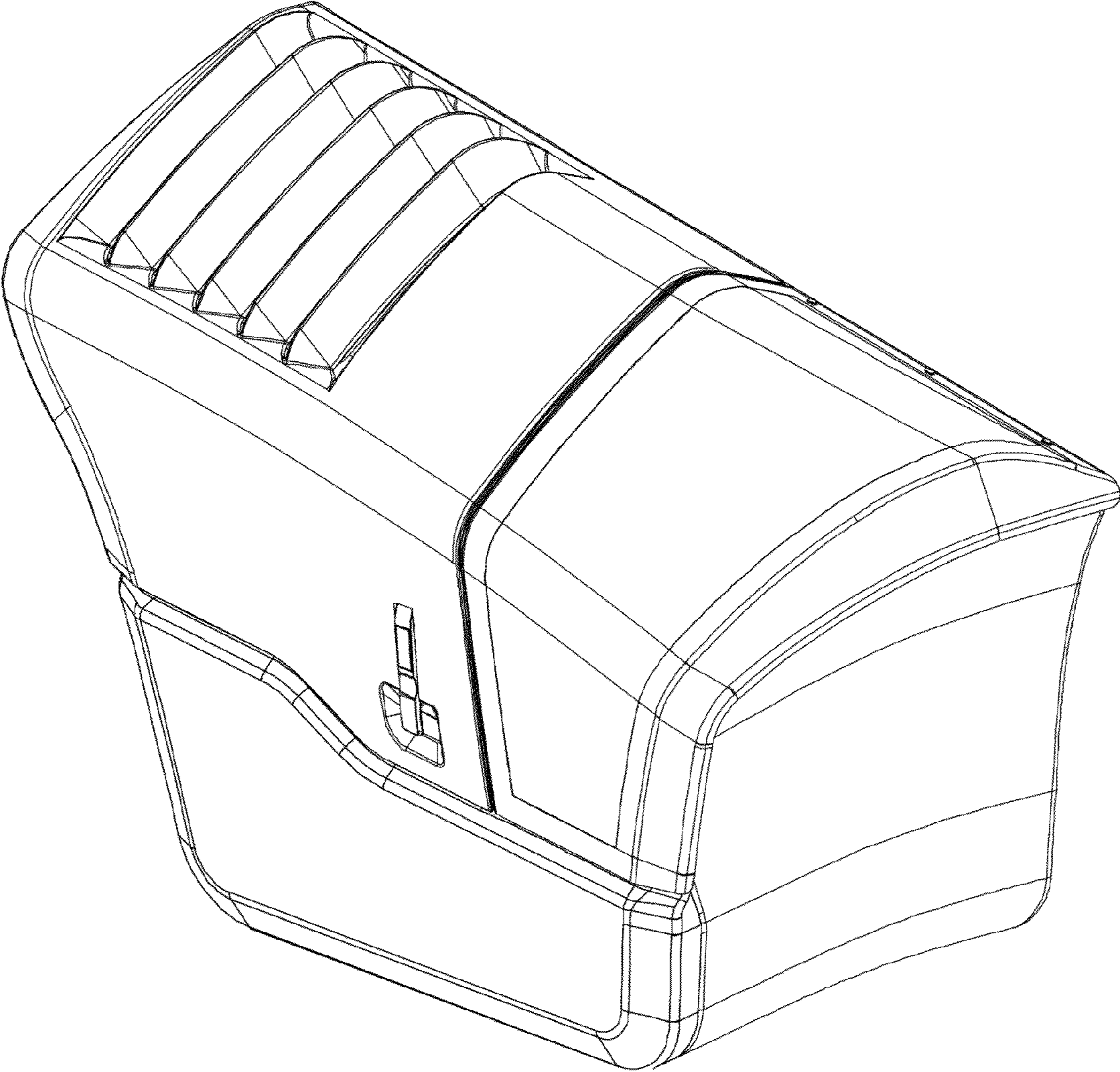


Fig. 1

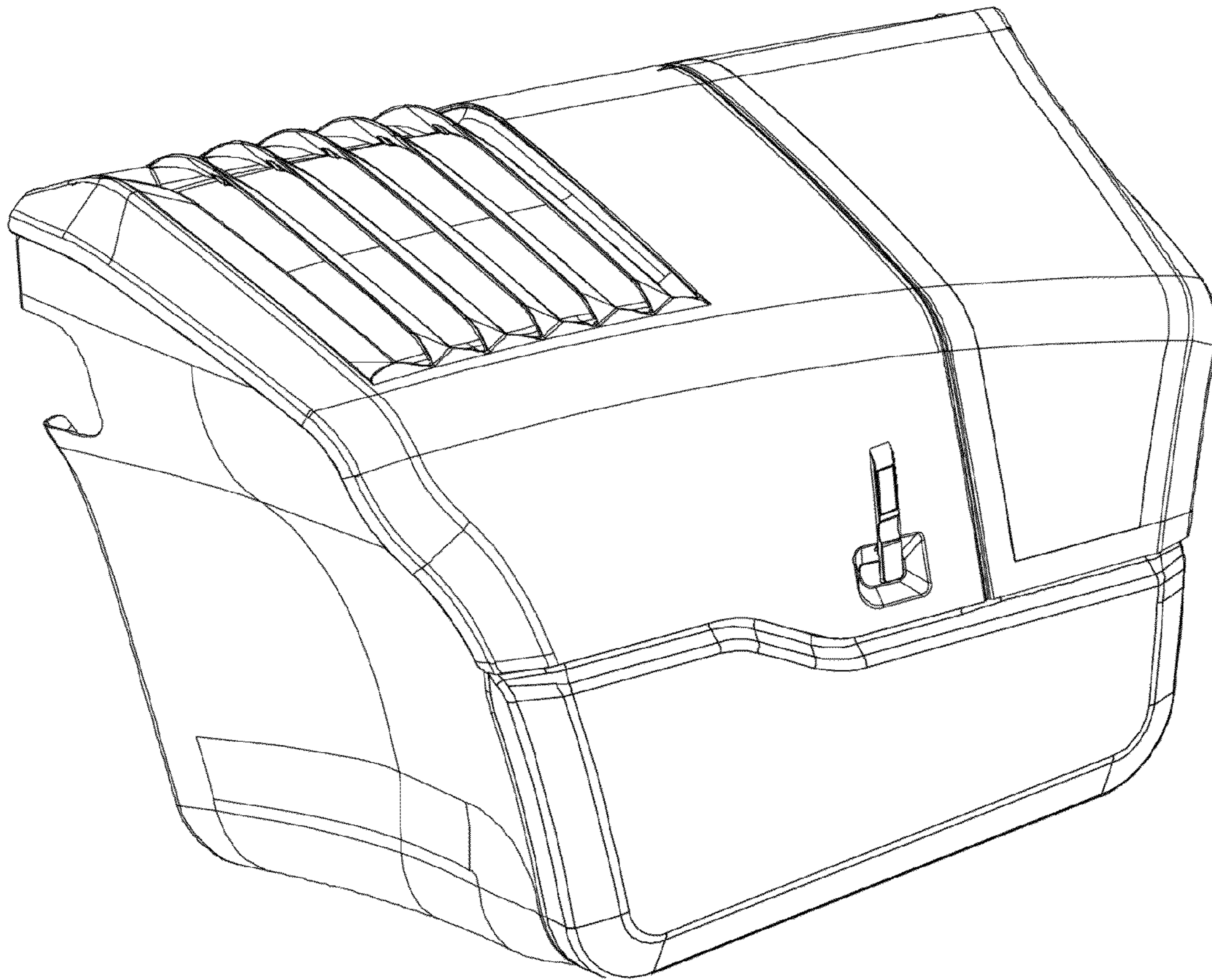


Fig. 2

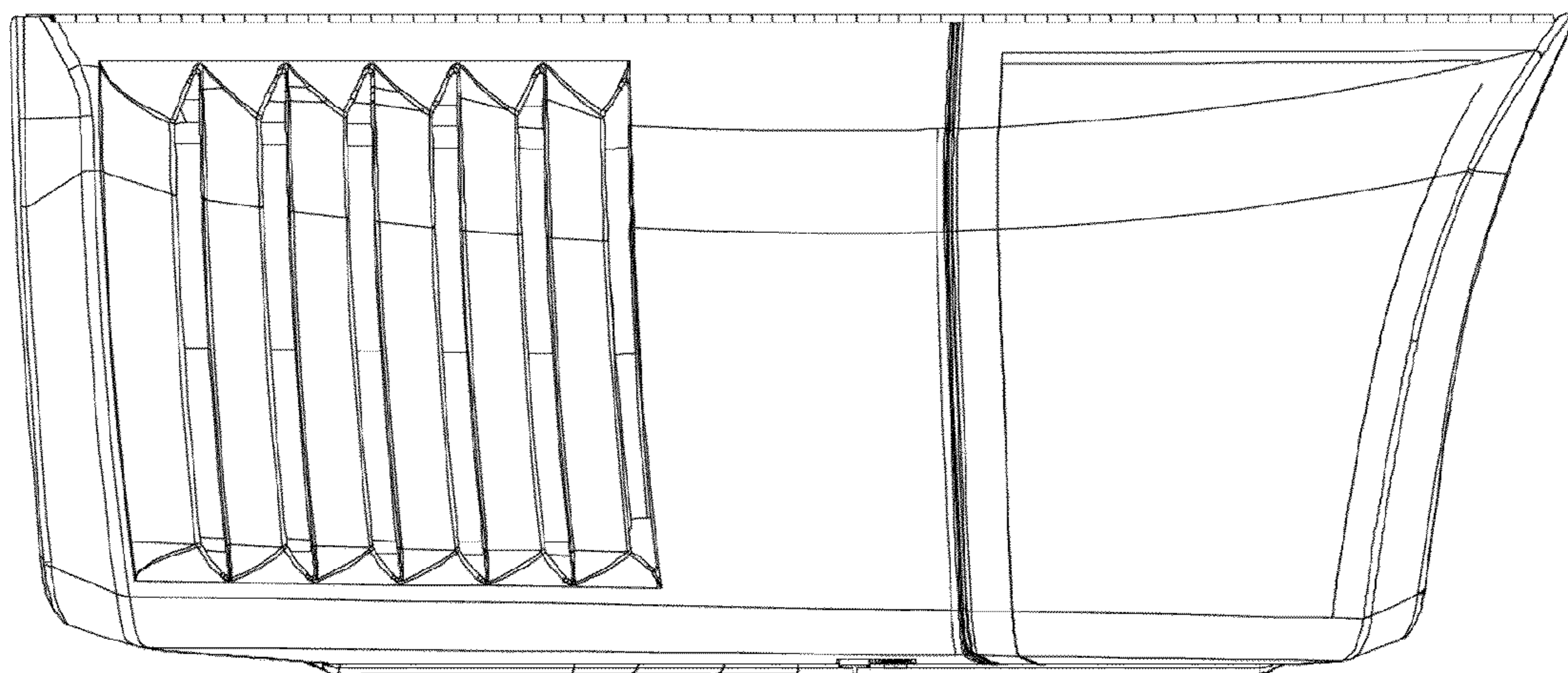


Fig. 3

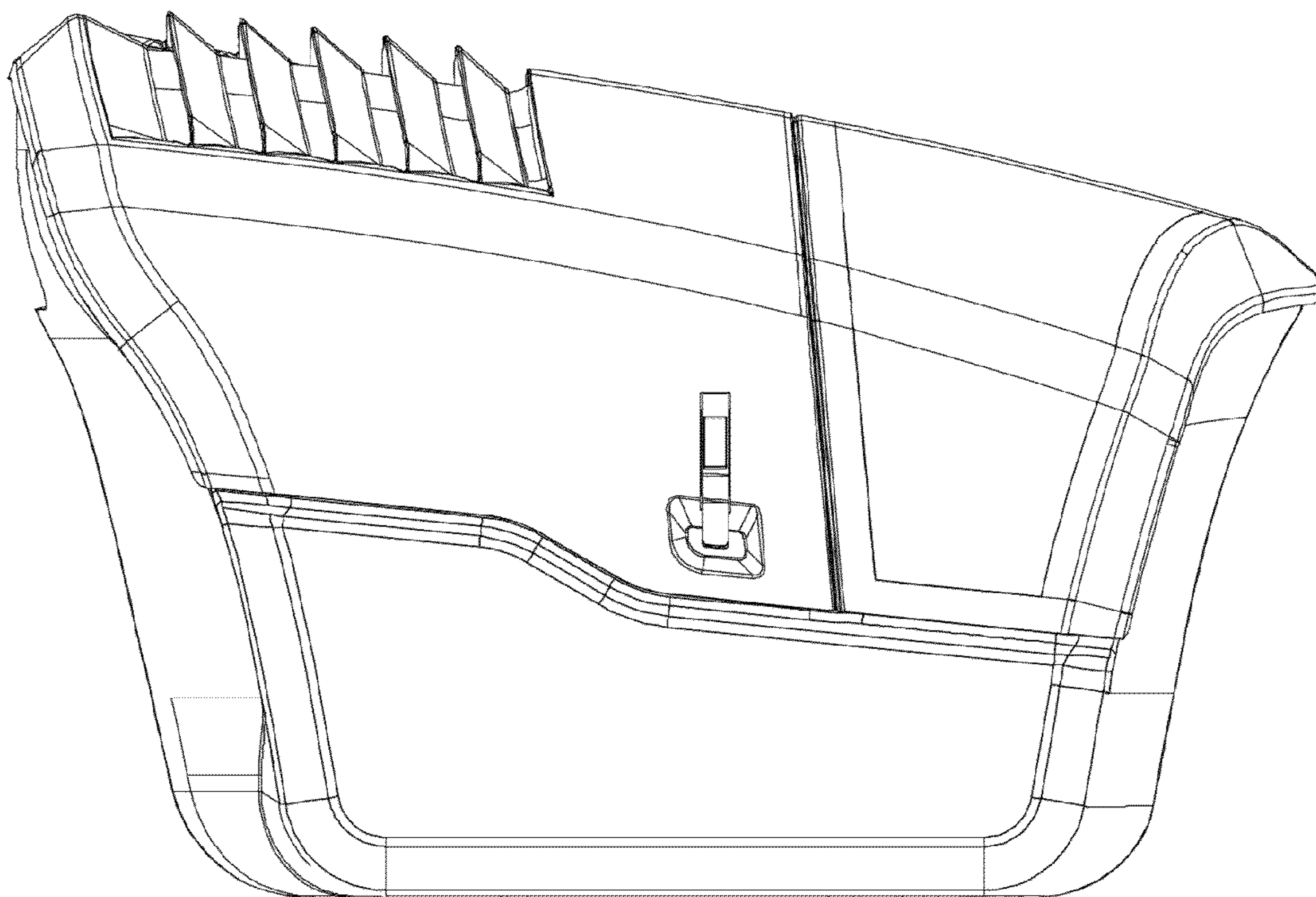


Fig. 4

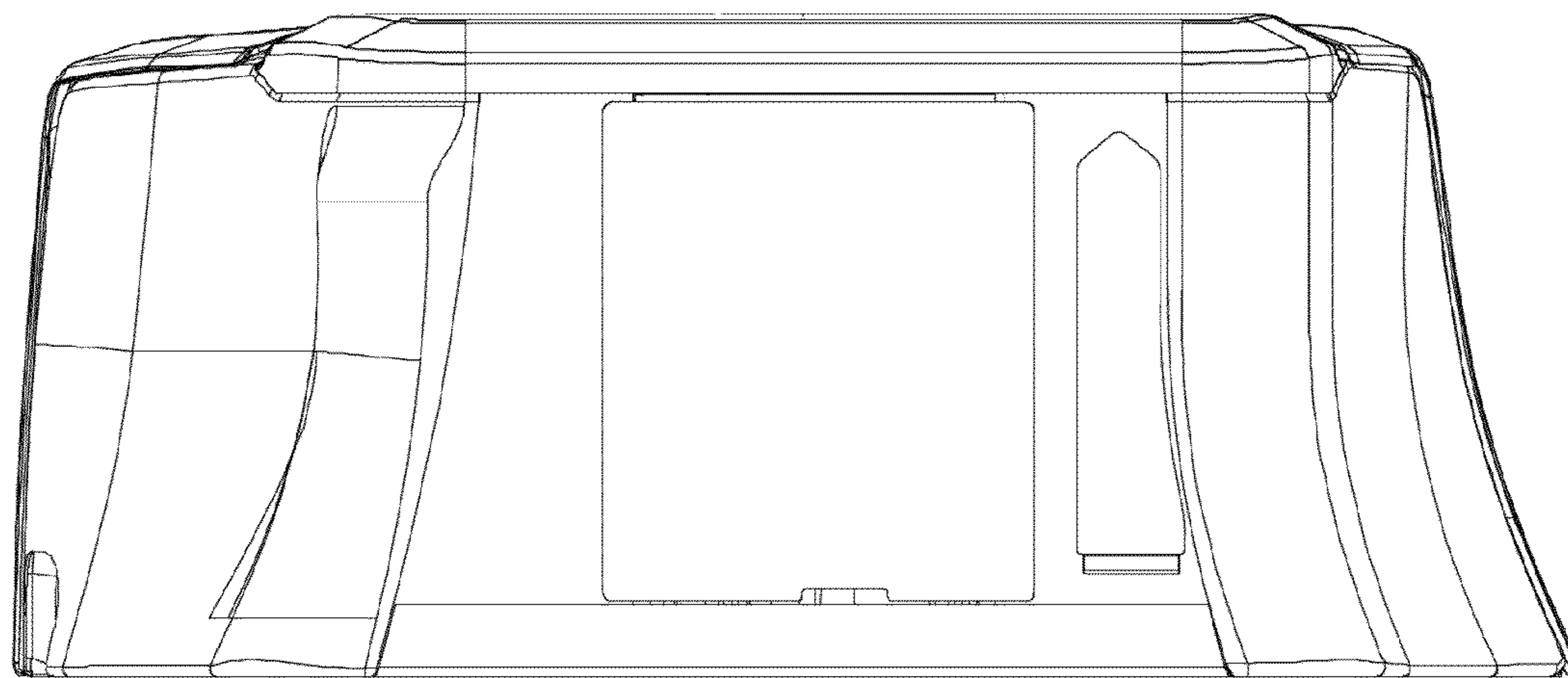


Fig. 5

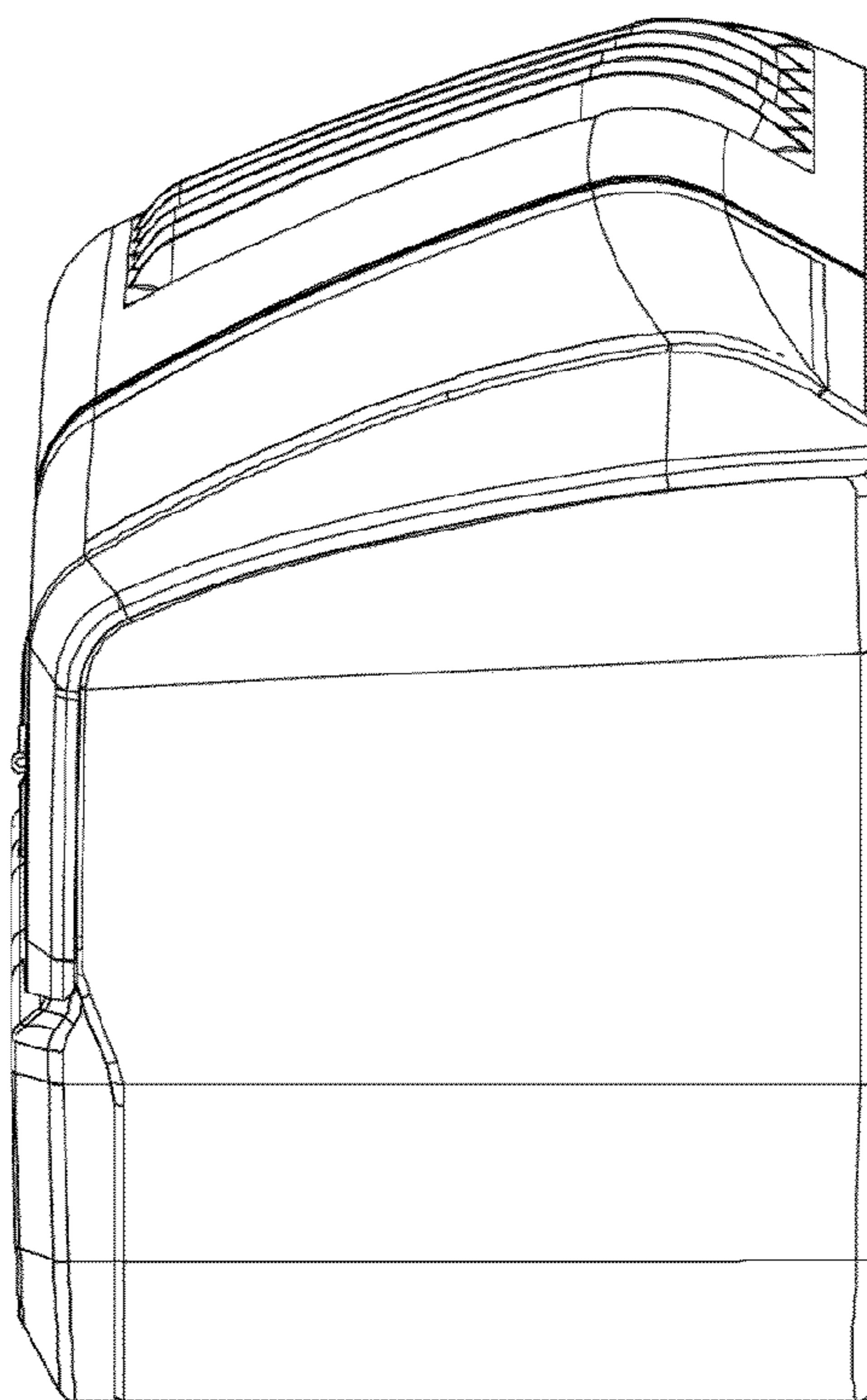


Fig. 6

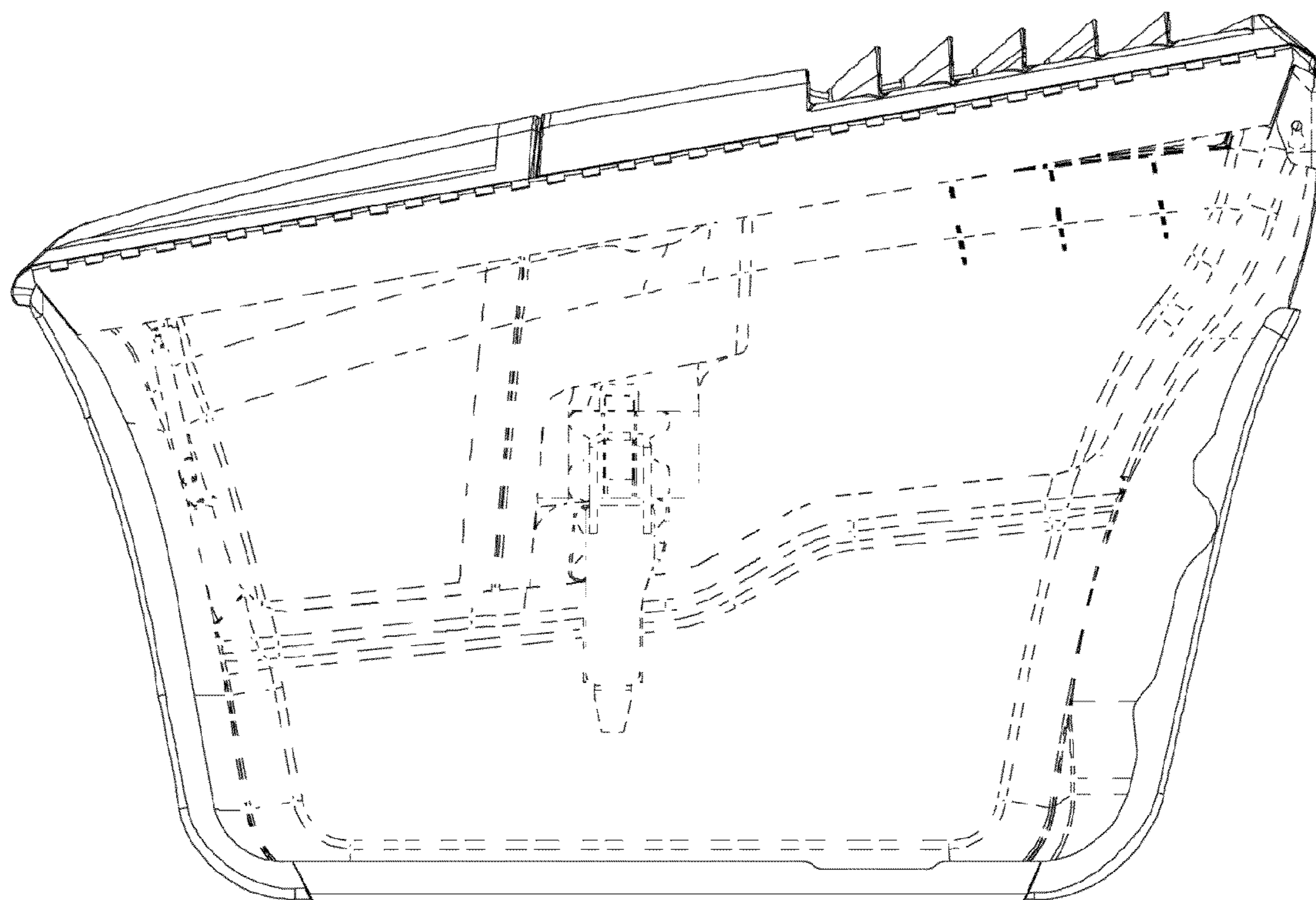


Fig. 7

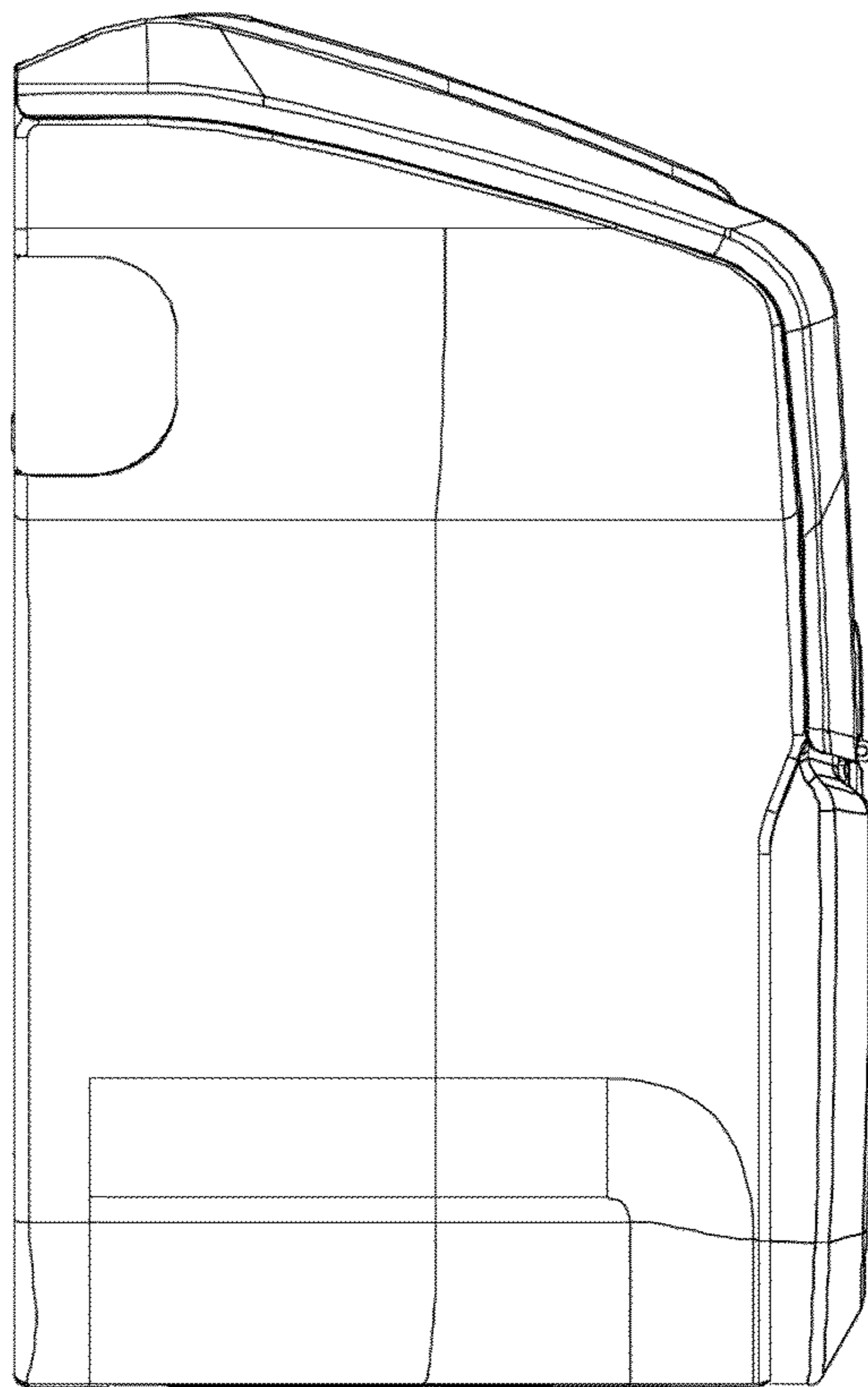


Fig. 8