



US00D692448S

(12) **United States Design Patent**
Jung et al.

(10) **Patent No.:** **US D692,448 S**
(45) **Date of Patent:** **** Oct. 29, 2013**

(54) **DISPLAY SCREEN WITH ANIMATED GRAPHICAL USER INTERFACE**

(75) Inventors: **Insheik Jung**, Seattle, WA (US); **David Gardner**, Covington, WA (US); **Salvador Alucema**, Seattle, WA (US); **Colin Riley**, Seattle, WA (US)

(73) Assignee: **Microsoft Corporation**, Redmond, WA (US)

(**) Term: **14 Years**

(21) Appl. No.: **29/407,619**

(22) Filed: **Nov. 30, 2011**

(51) **LOC (9) Cl.** **14-04**

(52) **U.S. Cl.**
USPC **D14/486**

(58) **Field of Classification Search**
USPC D14/485–495; 715/700–867
See application file for complete search history.

(56) **References Cited**

U.S. PATENT DOCUMENTS

7,386,806	B2 *	6/2008	Wroblewski	715/788
D611,949	S *	3/2010	Fletcher et al.	D14/488
D640,266	S *	6/2011	Furuya et al.	D14/486
7,992,173	B2 *	8/2011	Miyabayashi	725/54
8,056,106	B2 *	11/2011	Rodriguez et al.	725/88
D658,674	S *	5/2012	Shallcross et al.	D14/488
D663,314	S *	7/2012	David et al.	D14/487
D664,550	S *	7/2012	Lee et al.	D14/485
D664,967	S *	8/2012	Lee et al.	D14/485
D664,968	S *	8/2012	Lee et al.	D14/485
D664,986	S *	8/2012	Lee et al.	D14/488
D665,395	S *	8/2012	Lee et al.	D14/485
D667,424	S *	9/2012	Lee et al.	D14/488
D670,722	S *	11/2012	Yang et al.	D14/486
D673,173	S *	12/2012	Chen	D14/487

D678,301	S *	3/2013	Esterly	D14/485
2010/0002013	A1 *	1/2010	Kagaya	345/619
2010/0146423	A1 *	6/2010	Duchene et al.	715/765

OTHER PUBLICATIONS

Bing Search Interface disclosed Jul. 21, 2011, [online], [retrieved on Apr. 24, 2012]. Retrieved from internet, <<http://searchengineland.com/bing-getting-ready-to-launch-html5-interface-tiles-instant-results-more-86823>>.

* cited by examiner

Primary Examiner — Deanna L Fluegeman

(74) *Attorney, Agent, or Firm* — Banner & Witcoff, Ltd.

(57) **CLAIM**

The ornamental design for a display screen with animated graphical user interface, as shown and described.

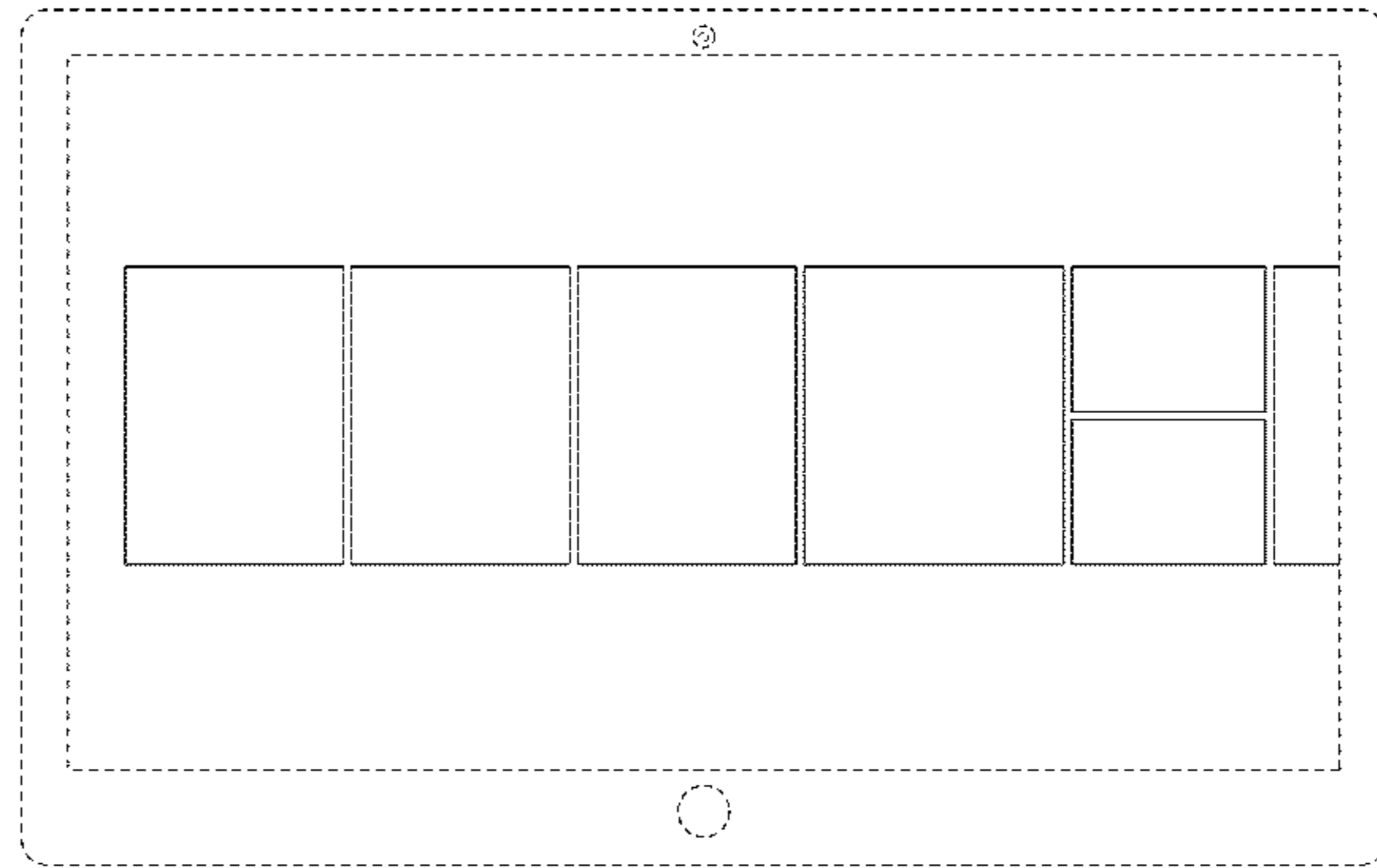
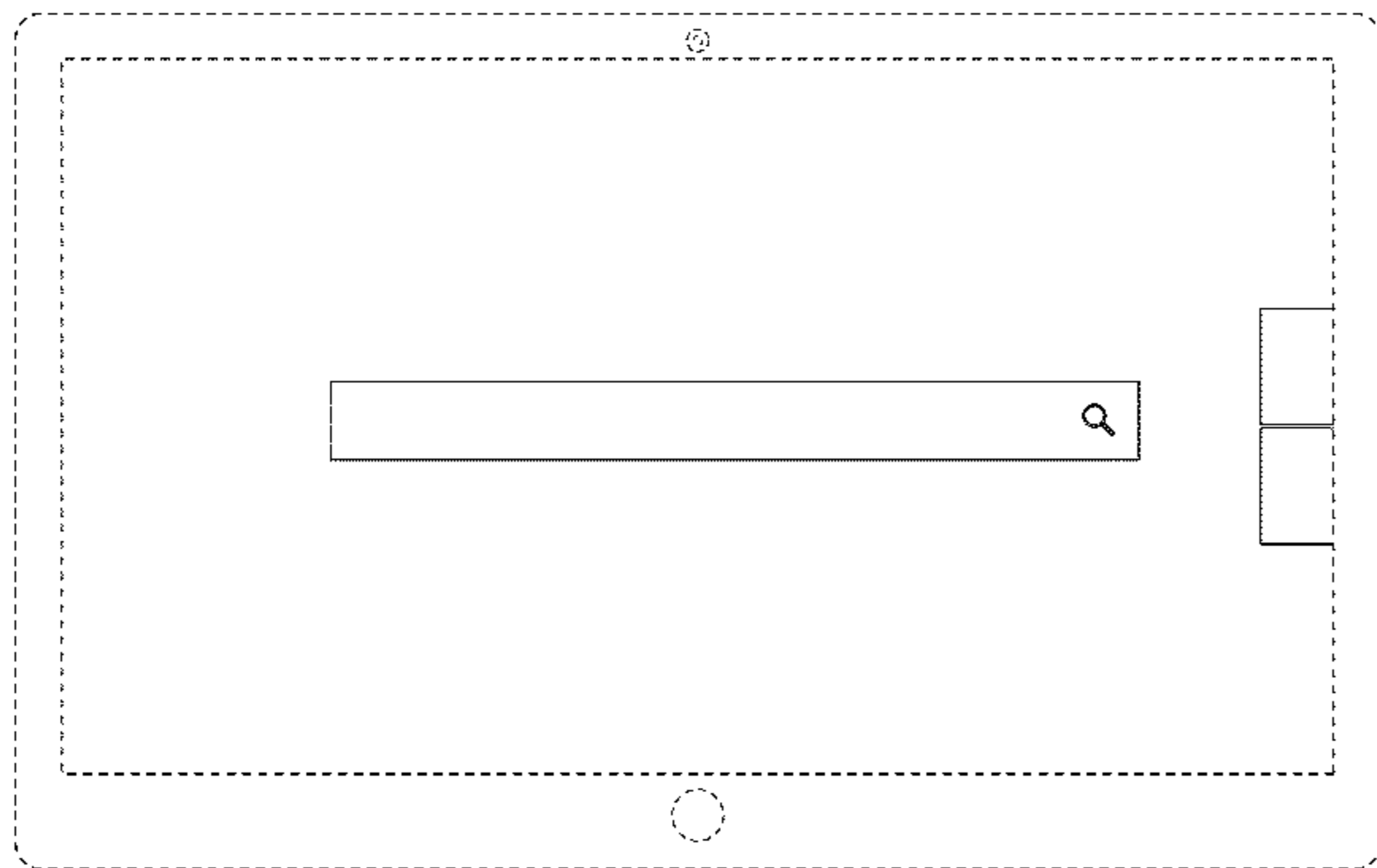
DESCRIPTION

FIG. 1 is the first image in a sequence for a display screen with animated graphical user interface showing the new design; FIG. 2 is the second image thereof; FIG. 3 is the third image thereof; FIG. 4 is the fourth image thereof; FIG. 5 is the fifth image thereof; FIG. 6 is the sixth image thereof; FIG. 7 is the seventh image thereof; FIG. 8 is the eighth image thereof; FIG. 9 is the ninth image thereof; FIG. 10 is the tenth image thereof; and, FIG. 11 is the eleventh image thereof.

The appearance of the transitional image sequentially transitions between the images shown in FIGS. 1-11. The process or period in which one image transitions to another image forms no part of the claimed design.

The broken line showing of the remainder of the display screen is for environmental purposes only and forms no part of the claimed design.

1 Claim, 11 Drawing Sheets



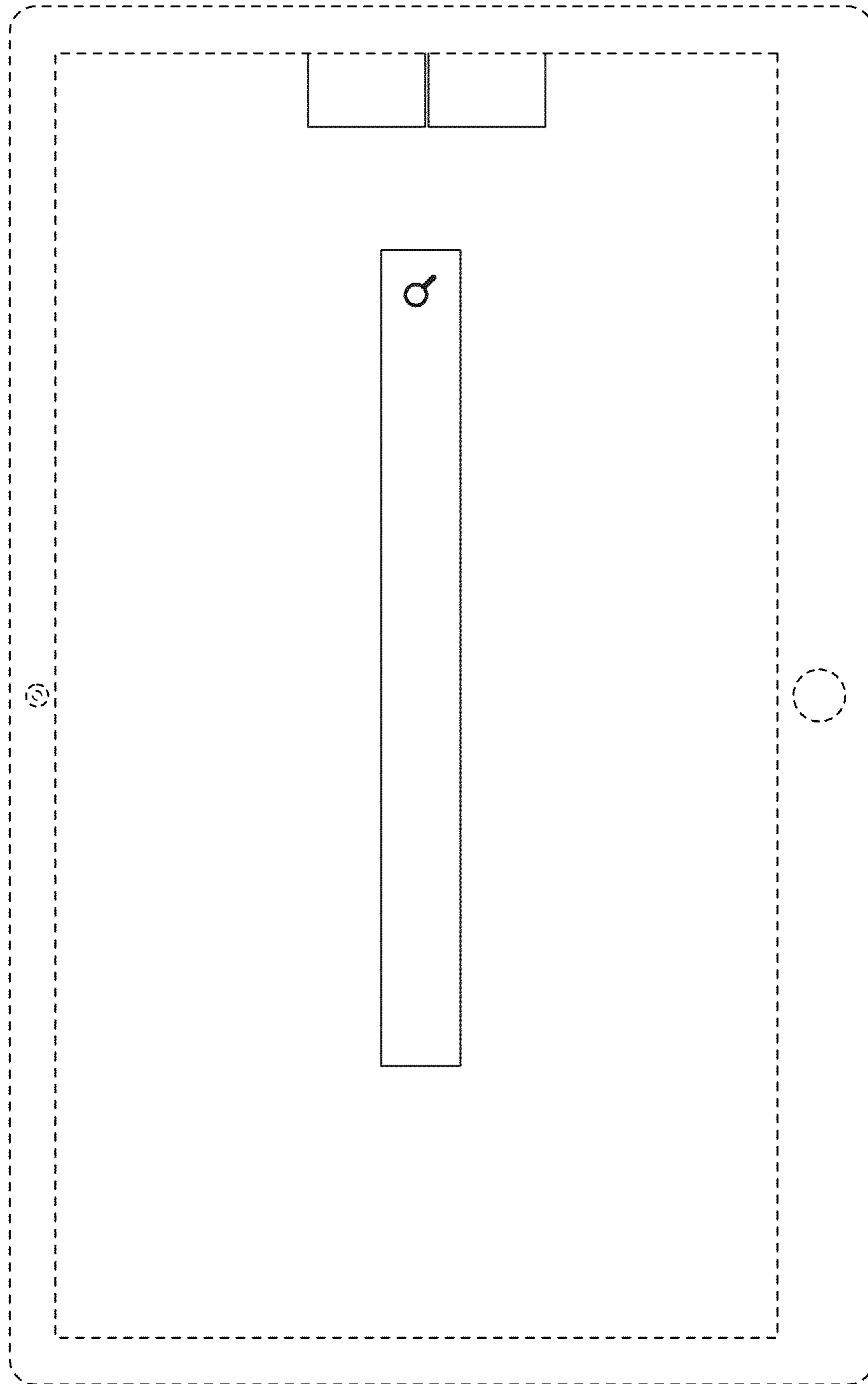


FIG. 1

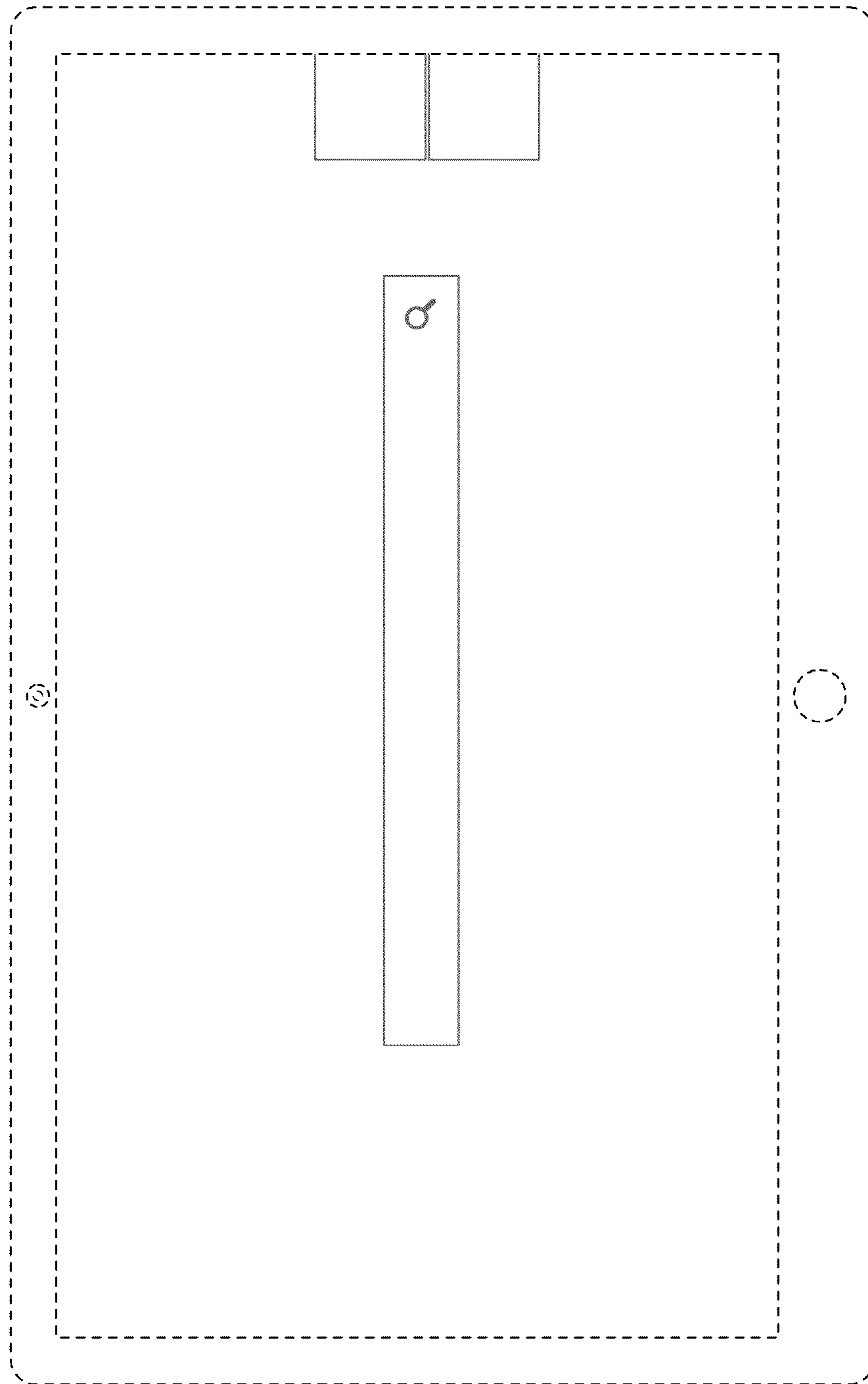


FIG. 2

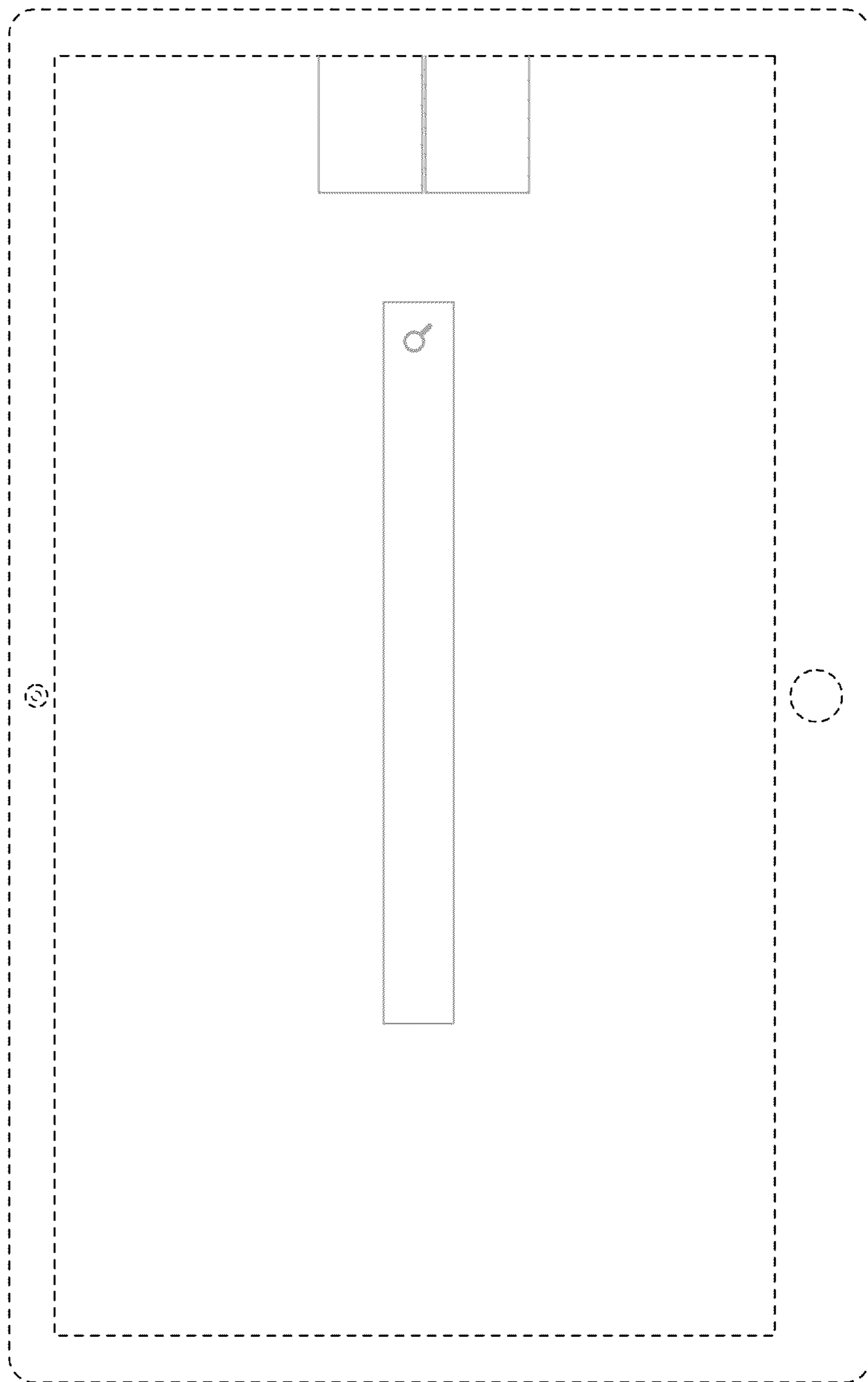


FIG. 3

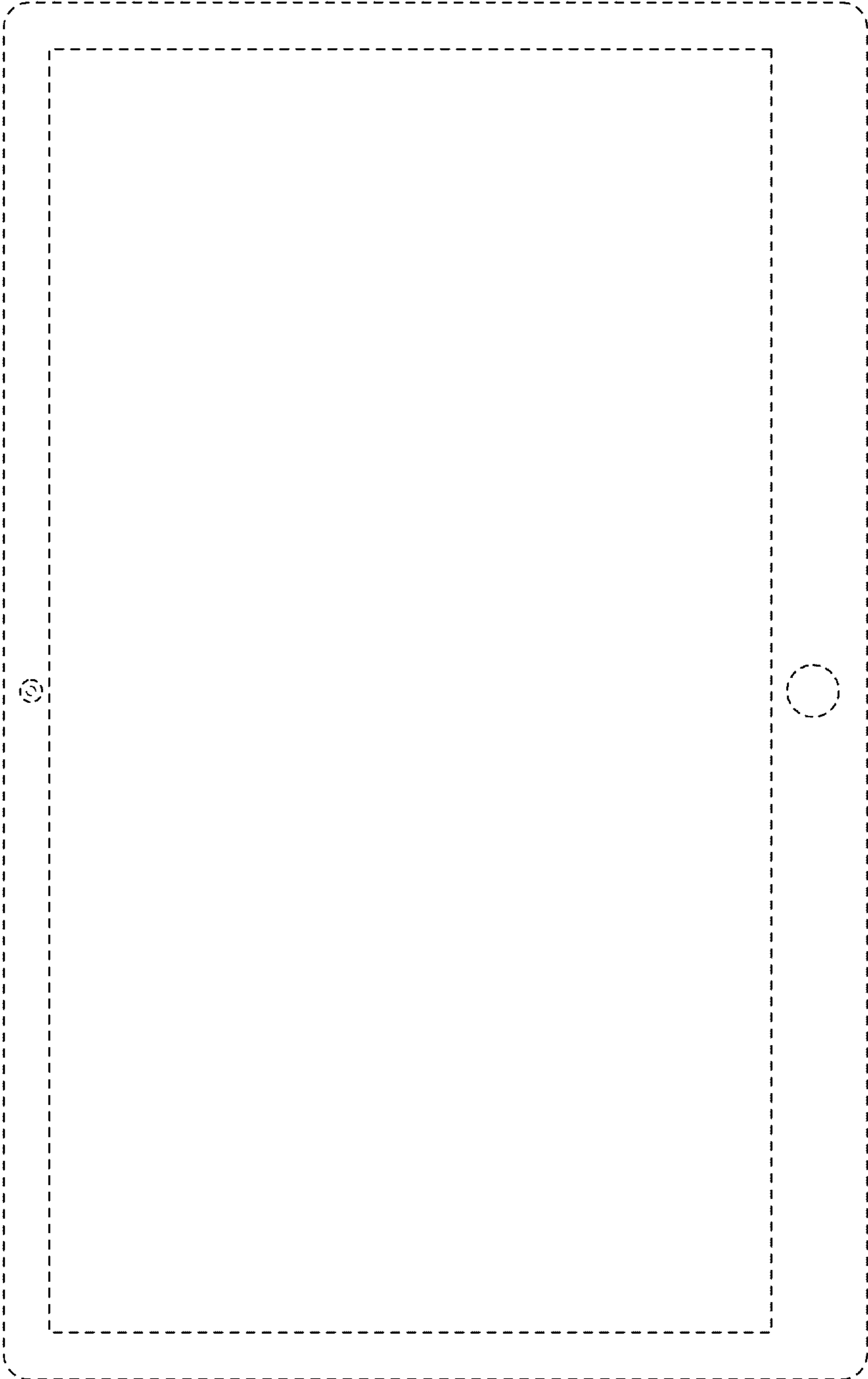


FIG. 4

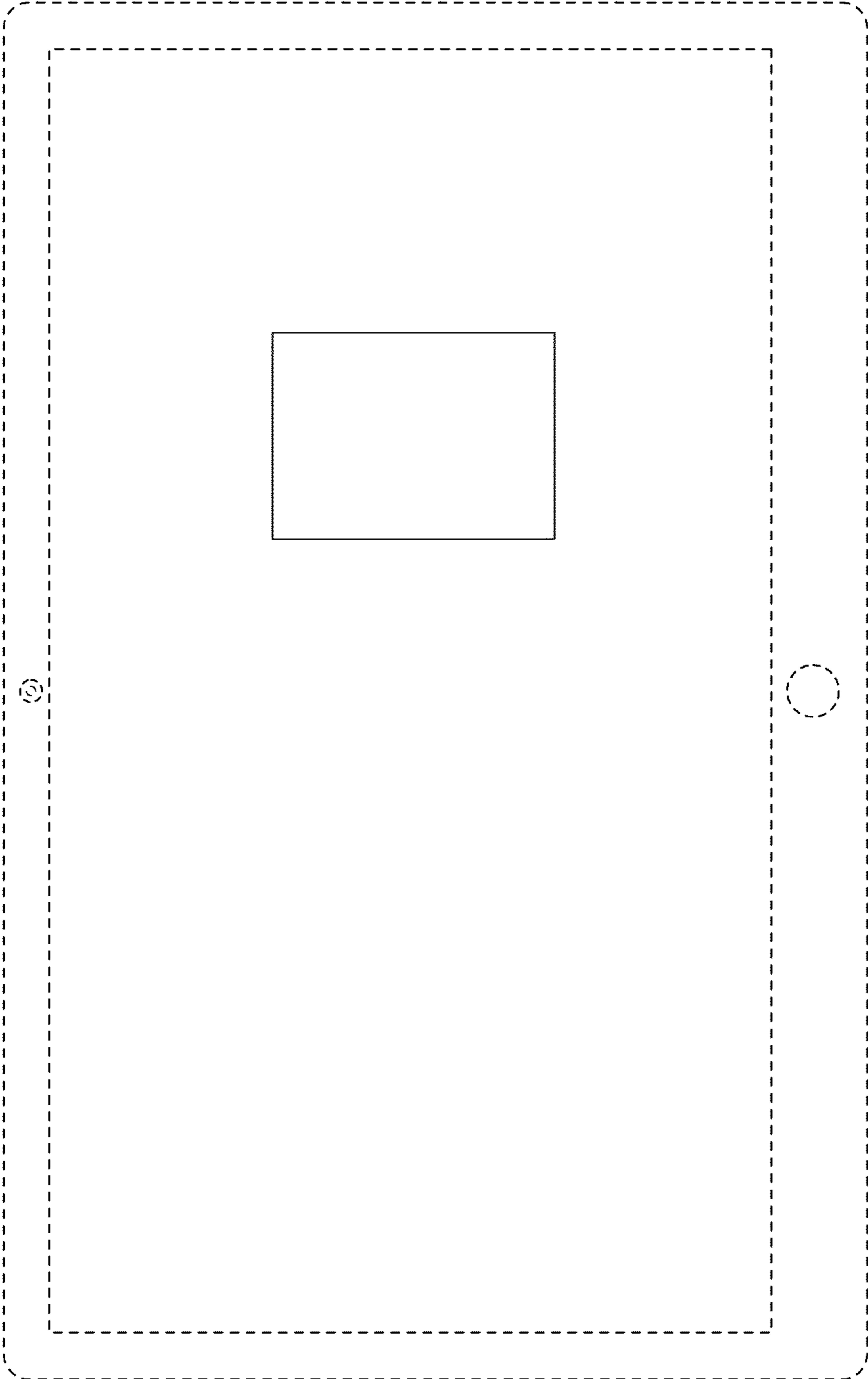


FIG. 5

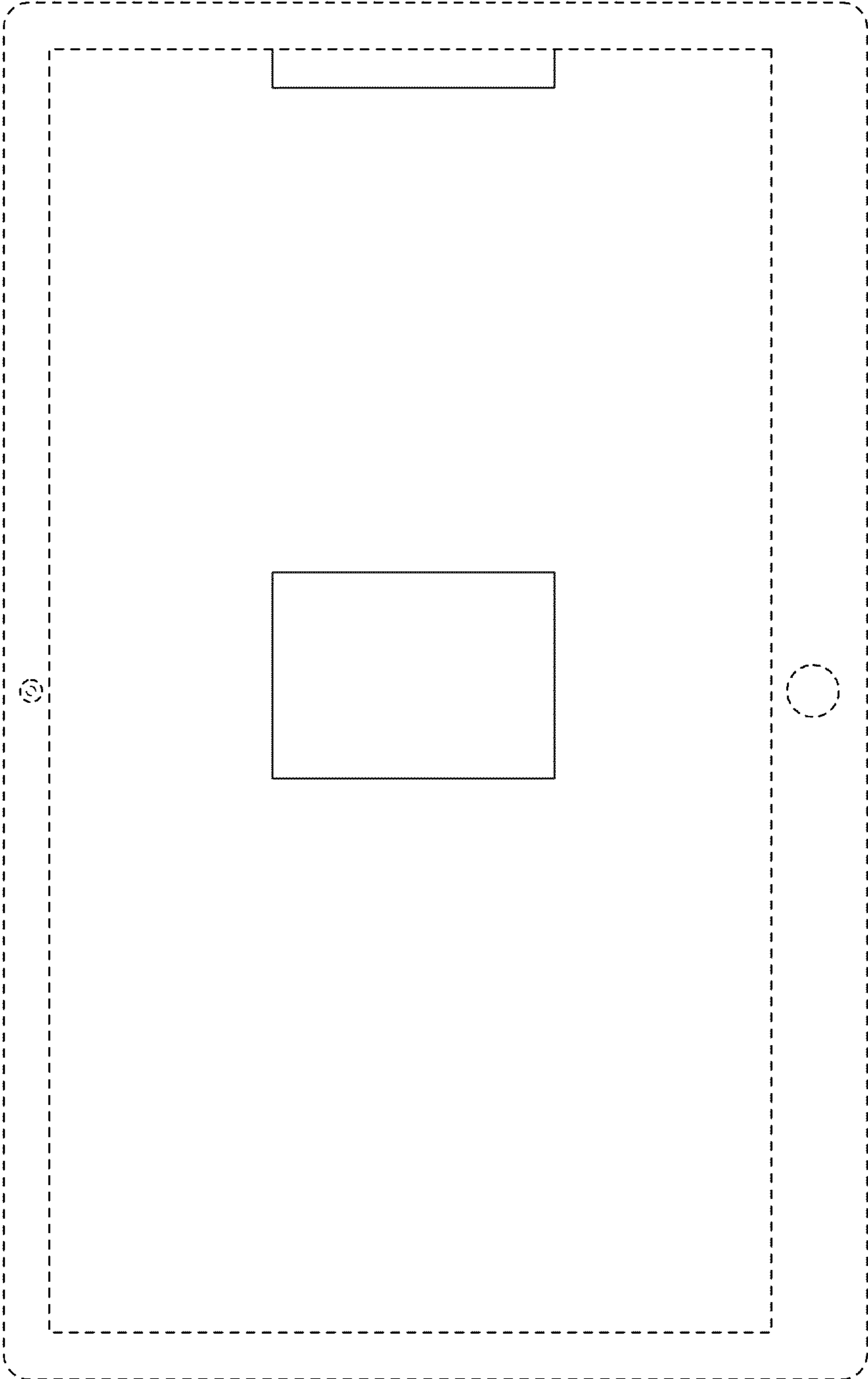


FIG. 6

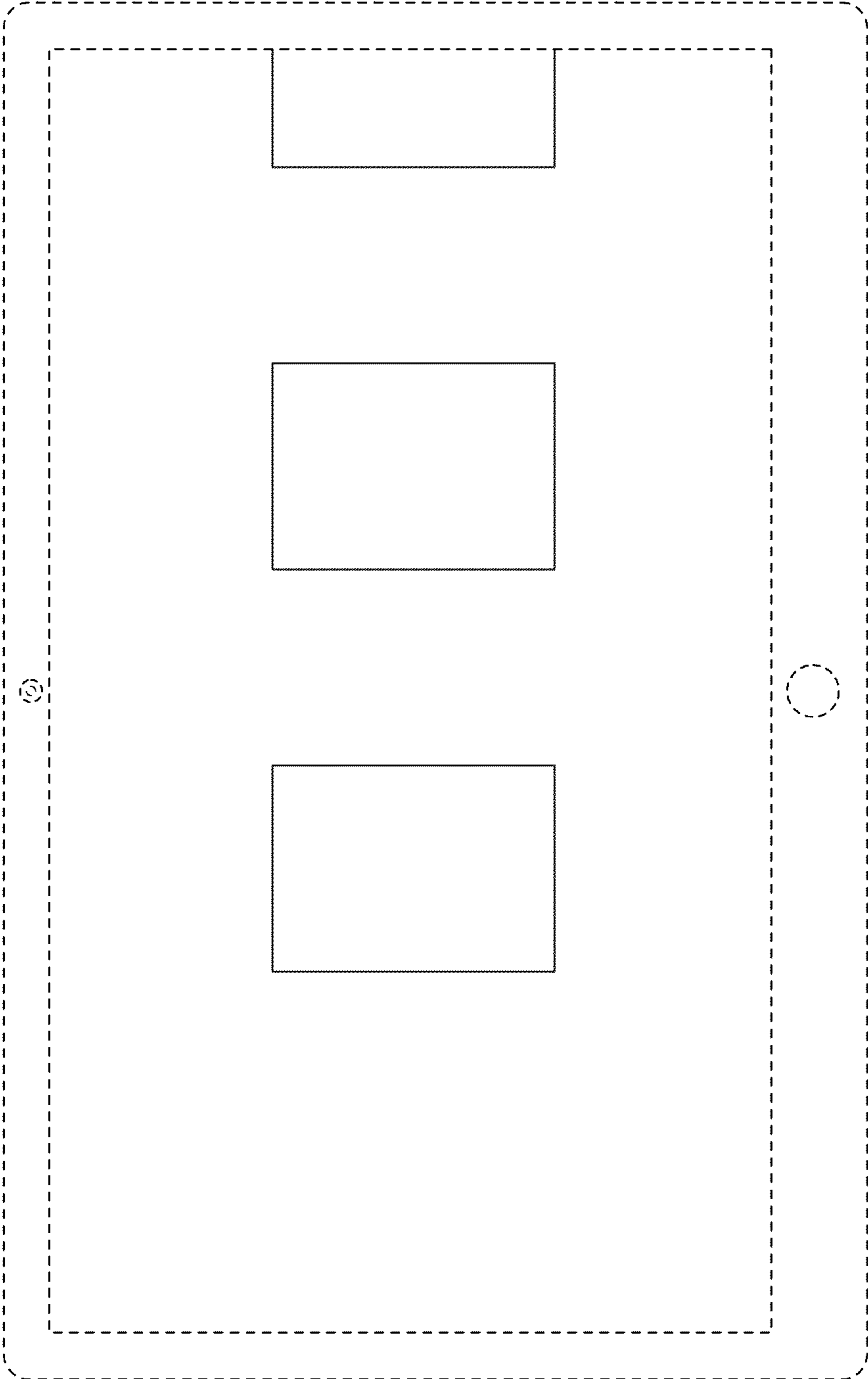


FIG. 7

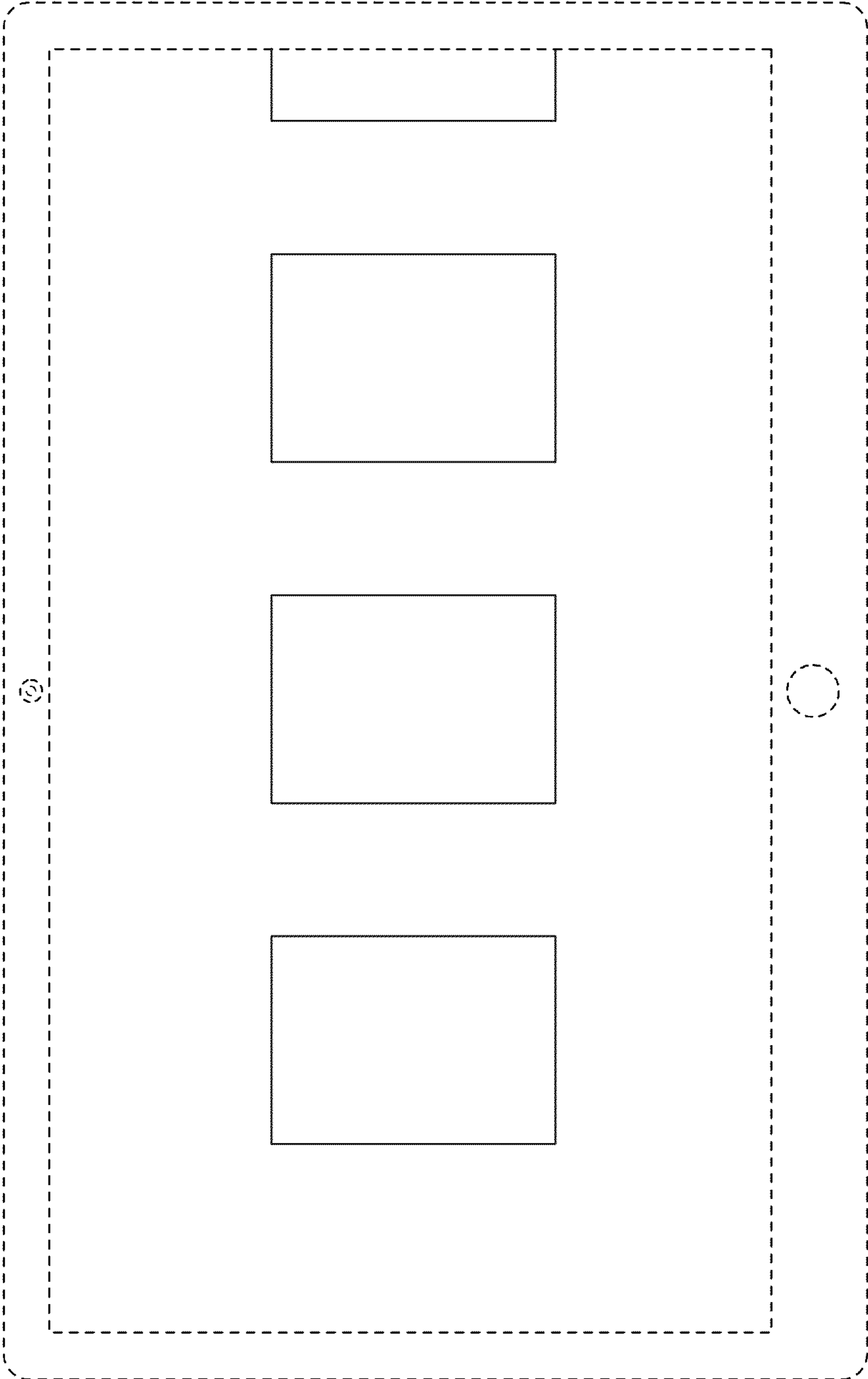


FIG. 8

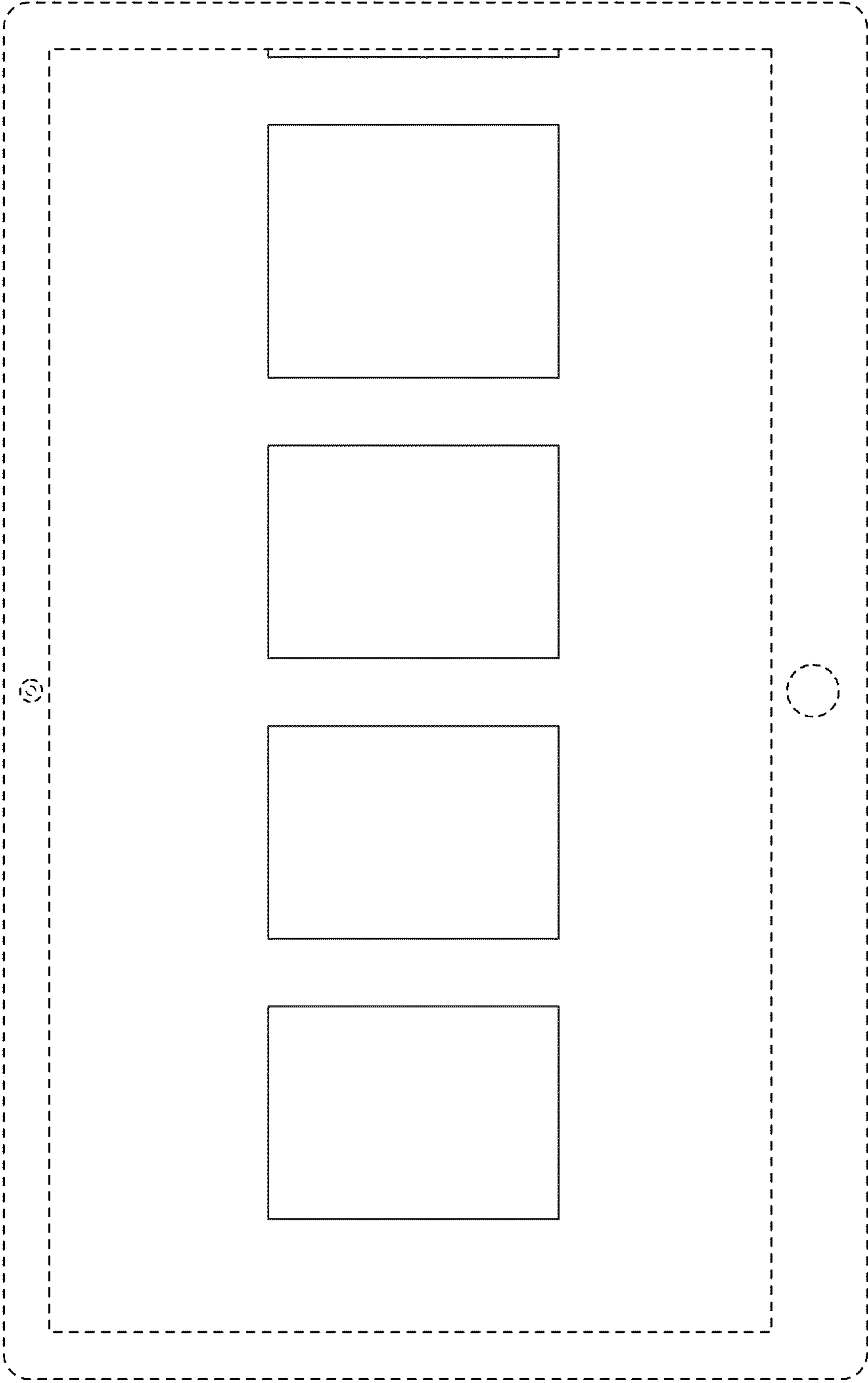


FIG. 9

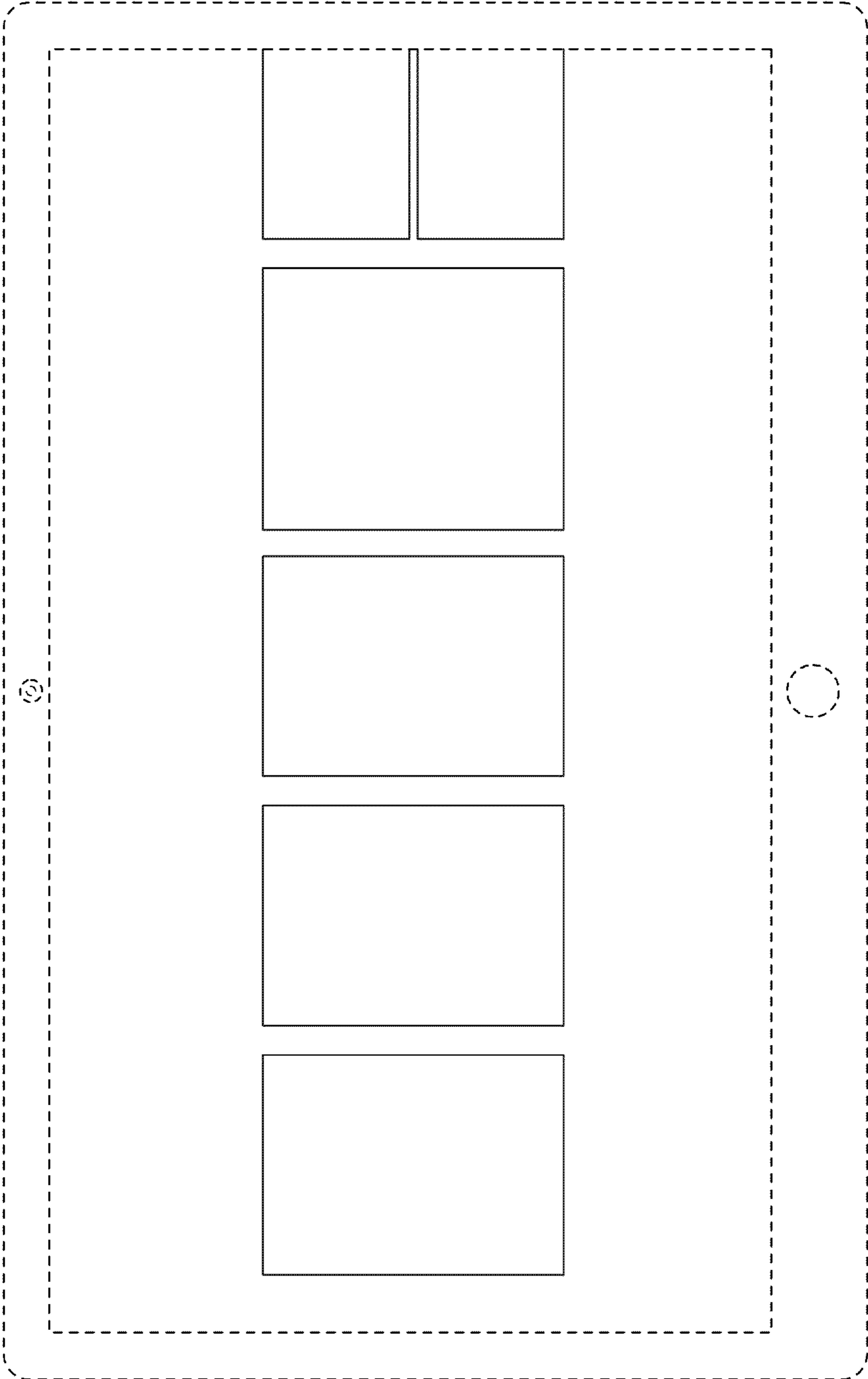


FIG. 10

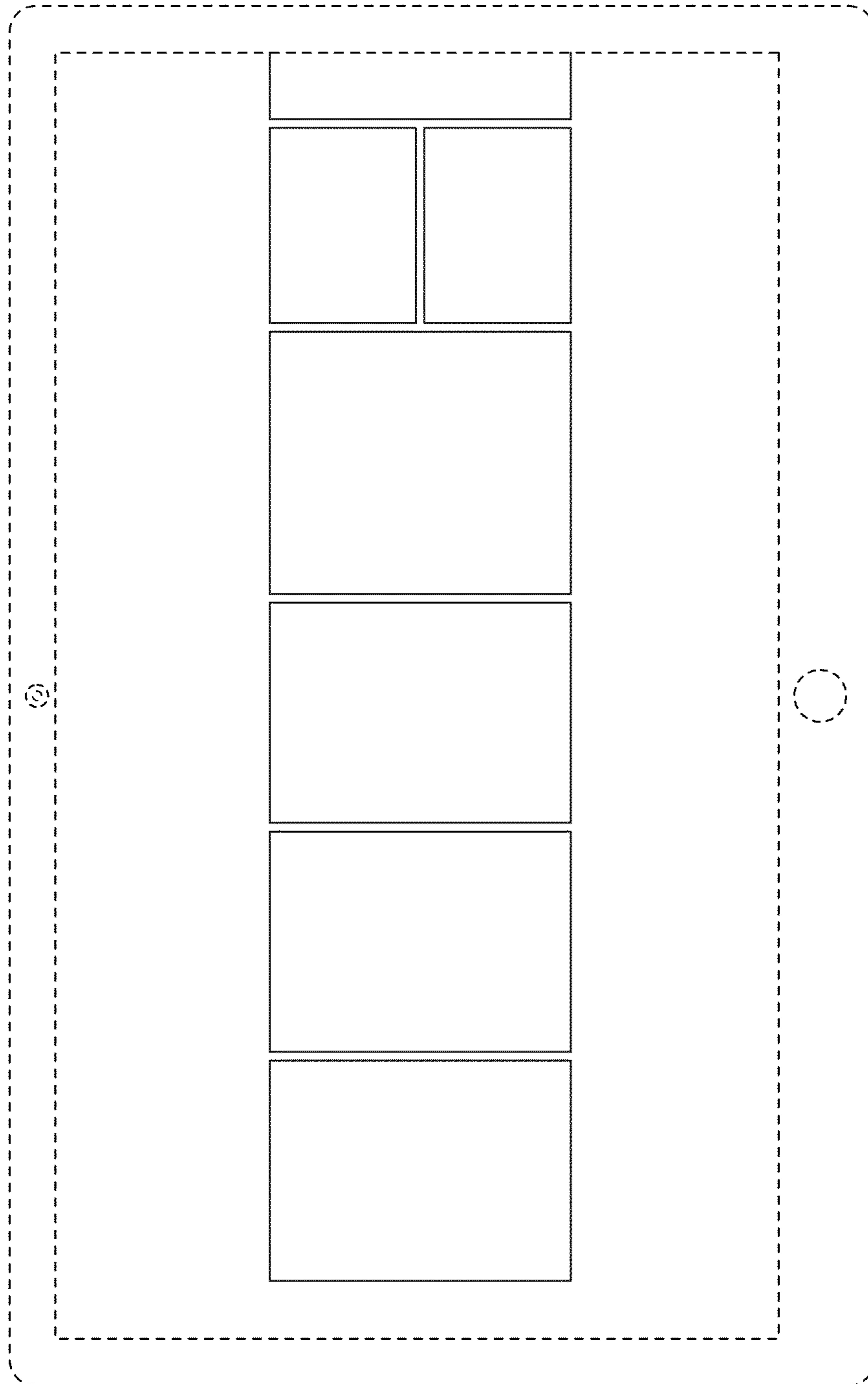


FIG. 11