



US00D692440S

(12) **United States Design Patent**  
**Tsai**

(10) **Patent No.:** **US D692,440 S**  
(45) **Date of Patent:** **\*\* Oct. 29, 2013**

(54) **HOLDER**

- (71) Applicant: **Chi Mei Communication Systems, Inc.**, New Taipei (TW)
- (72) Inventor: **Sheng-Hsiung Tsai**, New Taipei (TW)
- (73) Assignee: **Chi Mei Communication Systems, Inc.**, New Taipei (TW)
- (\*\*) Term: **14 Years**
- (21) Appl. No.: **29/453,494**
- (22) Filed: **Apr. 30, 2013**

(30) **Foreign Application Priority Data**

Dec. 28, 2012 (TW) ..... 101307832

(51) **LOC (9) Cl.** ..... **08-07**

(52) **U.S. Cl.**  
USPC ..... **D14/447**

(58) **Field of Classification Search**

USPC ..... D14/447, 432, 433, 439, 440, 451, 452, D14/239, 217, 224.1, 251, 252, 253, 457, D14/458, 459, 460, 461, 434, 205, 209.1, D14/223; D6/406.1, 406.2, 406.3, 406.4, D6/406.5, 406.6; D12/415; 361/679.09, 361/679.21, 679.22, 679.24, 679.26, 361/679.27, 679.28, 679.3, 679.55, 679.56, 361/709; 248/917-924, 133, 136, 139, 150, 248/176.1, 188.6; D13/108, 110; D8/363

See application file for complete search history.

(56) **References Cited**

U.S. PATENT DOCUMENTS

5,176,274 A *	1/1993	Jenkins	.....	220/17.1
D347,533 S *	6/1994	Lambert	.....	D6/491
D582,918 S *	12/2008	Scott	.....	D14/432
D589,036 S *	3/2009	Unsworth	.....	D14/239
D590,404 S *	4/2009	Kim et al.	.....	D14/447
D626,129 S *	10/2010	Lutz	.....	D14/447
D656,940 S *	4/2012	McClelland et al.	.....	D14/447
D658,170 S *	4/2012	Chen et al.	.....	D14/253
D664,602 S *	7/2012	Chiu et al.	.....	D21/333
D677,260 S *	3/2013	Hong et al.	.....	D14/447
D678,887 S *	3/2013	Stravitz	.....	D14/451
D681,646 S *	5/2013	Ide	.....	D14/447
D683,141 S *	5/2013	Symons	.....	D6/310

\* cited by examiner

*Primary Examiner* — Angela J Lee

(74) *Attorney, Agent, or Firm* — Altis & Wispro Law Group, Inc.

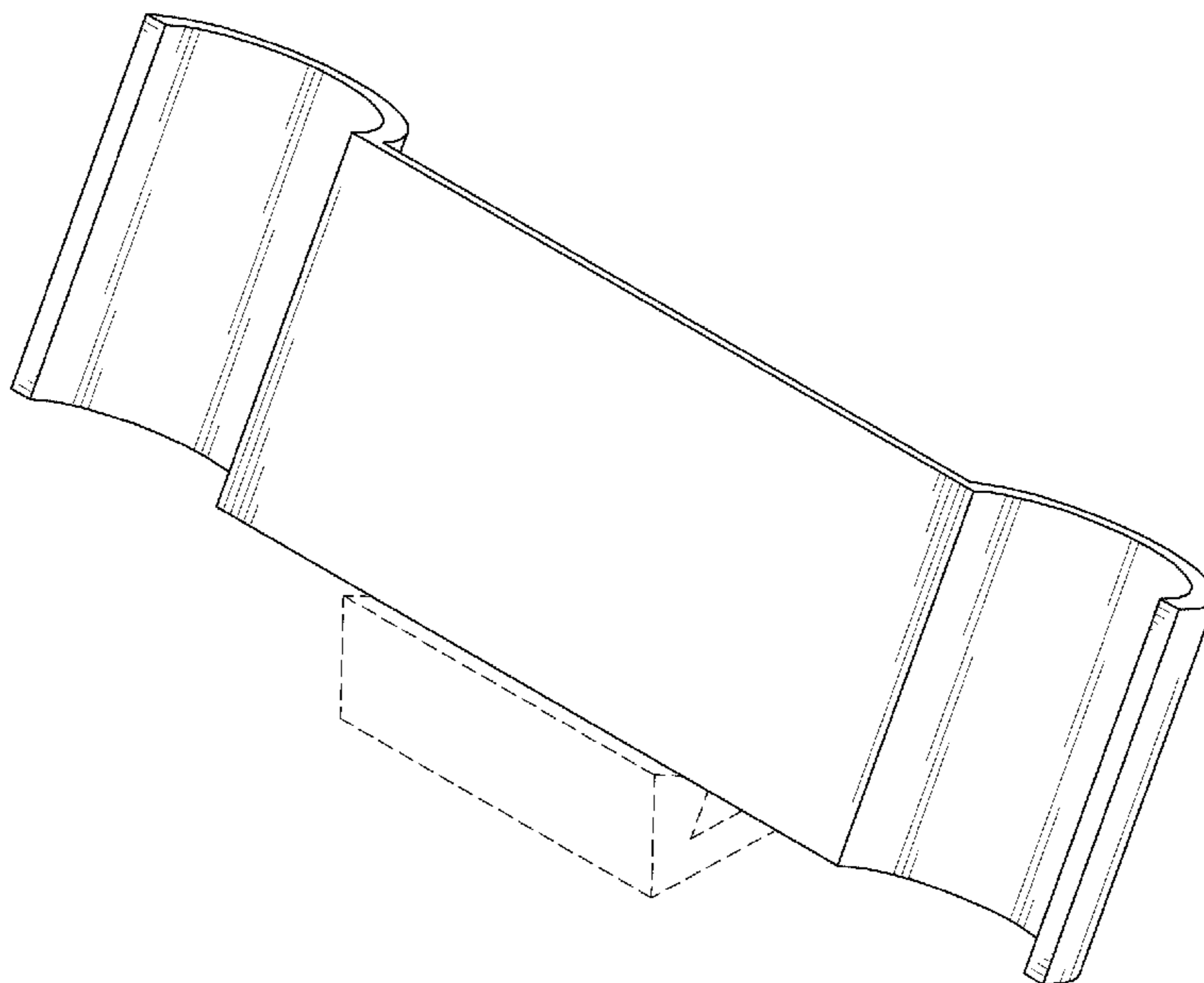
(57) **CLAIM**

The ornamental design for a holder, as shown and described.

**DESCRIPTION**

FIG. 1 is a perspective view of a holder showing my new design;  
FIG. 2 is a front elevational view thereof;  
FIG. 3 is a rear elevational view thereof;  
FIG. 4 is a left side elevational view thereof;  
FIG. 5 is a right side elevational view thereof;  
FIG. 6 is a top plan view thereof;  
FIG. 7 is a bottom plan view thereof; and,  
FIG. 8 is a perspective view thereof when in a use.  
The broken lines of all the figures are for the purpose of illustrating environment and forms no part of the claimed design.

**1 Claim, 8 Drawing Sheets**



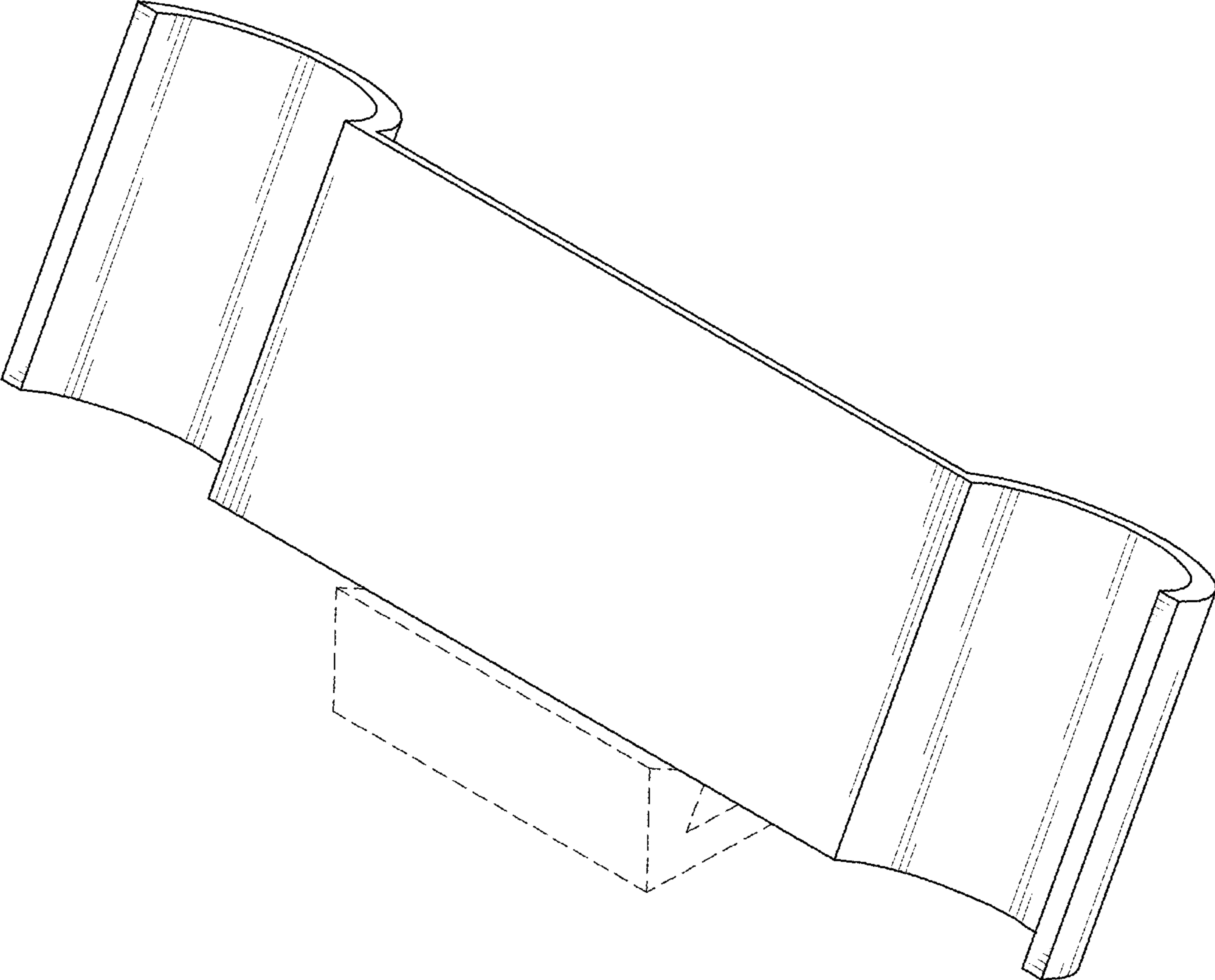


FIG. 1

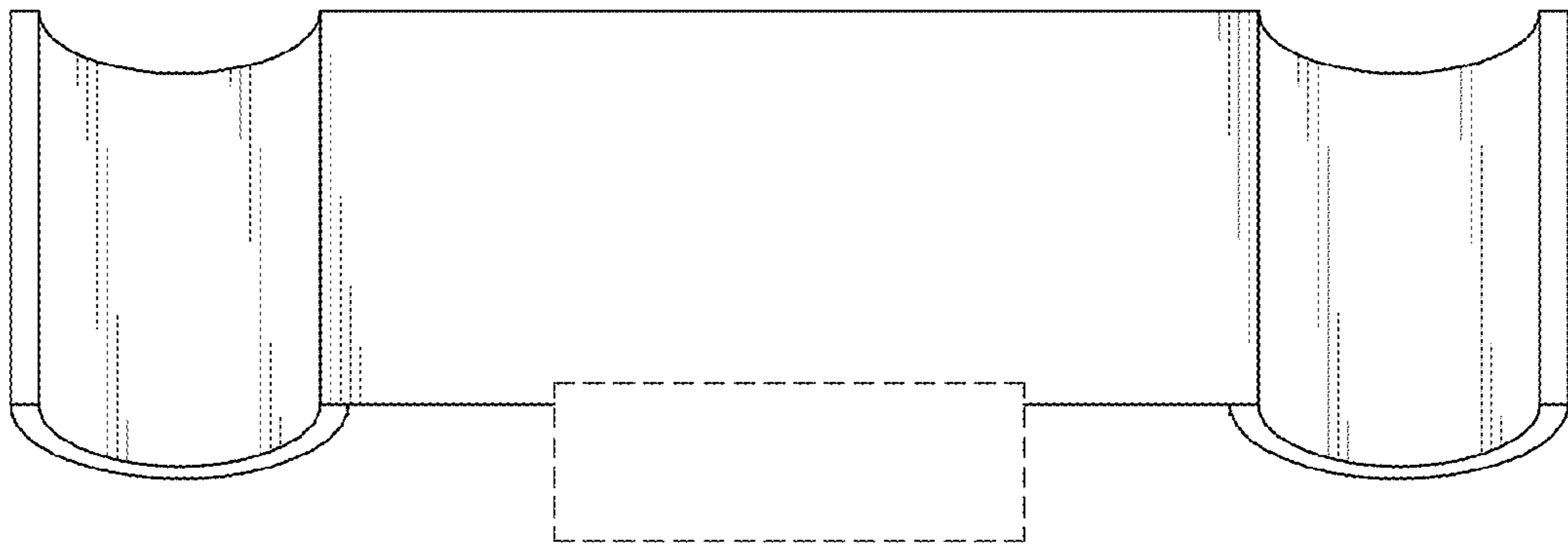


FIG. 2

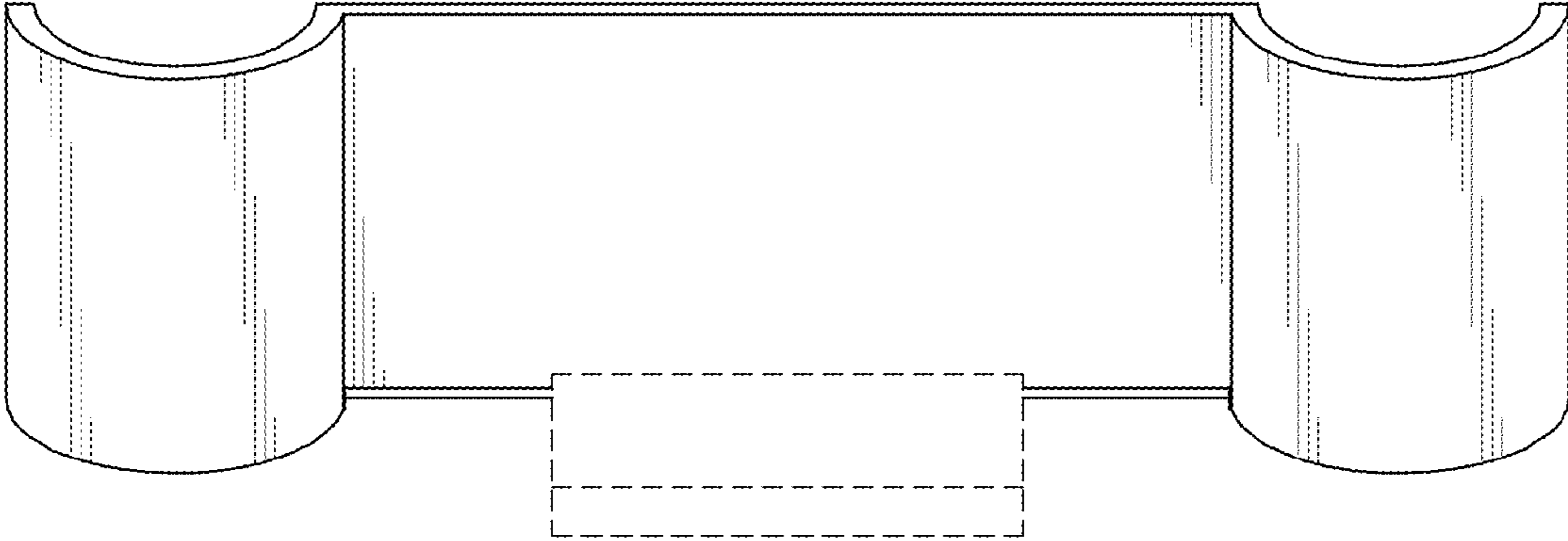


FIG. 3

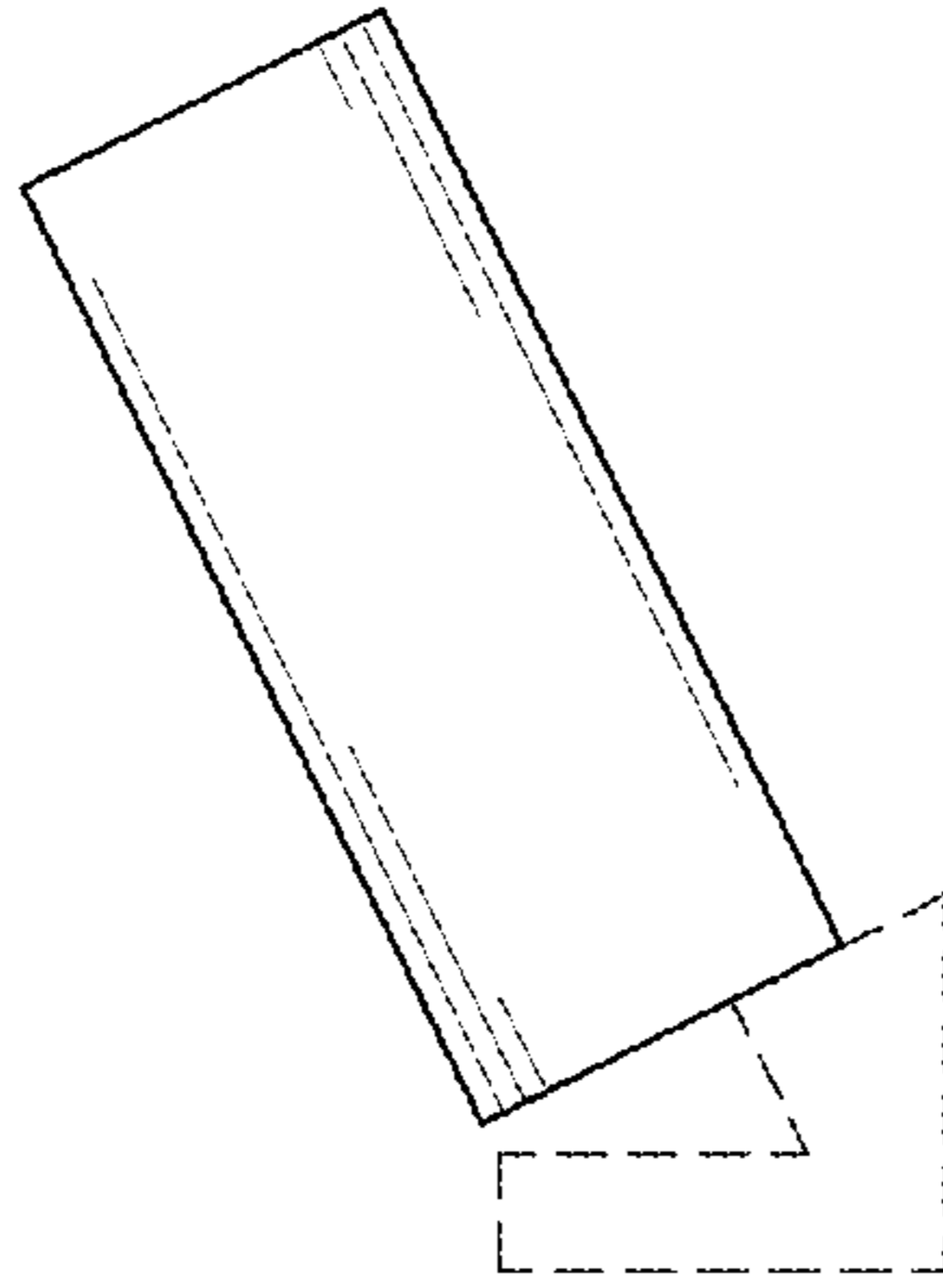


FIG. 4

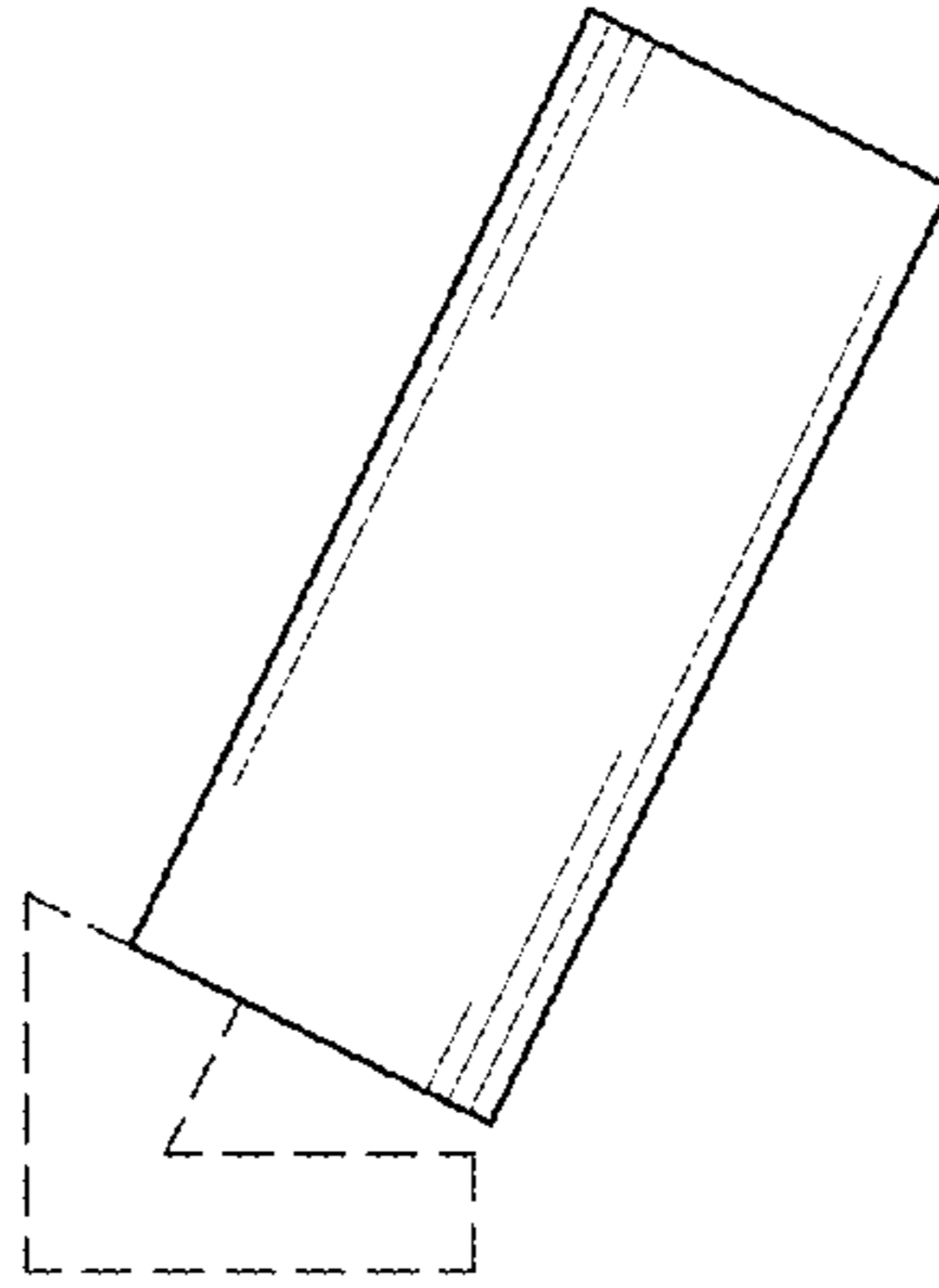


FIG. 5

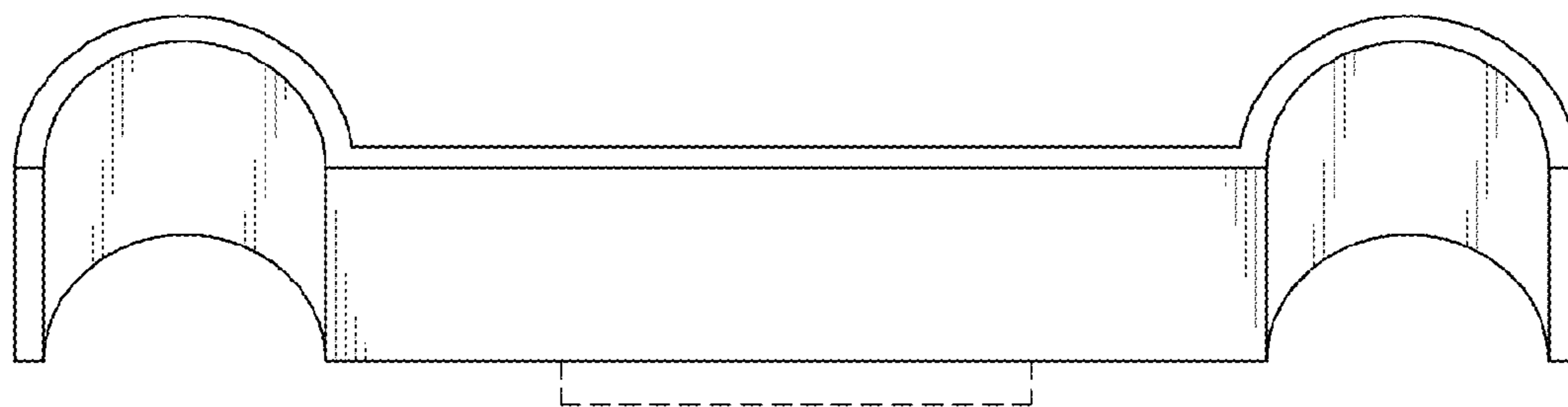


FIG. 6



FIG. 7



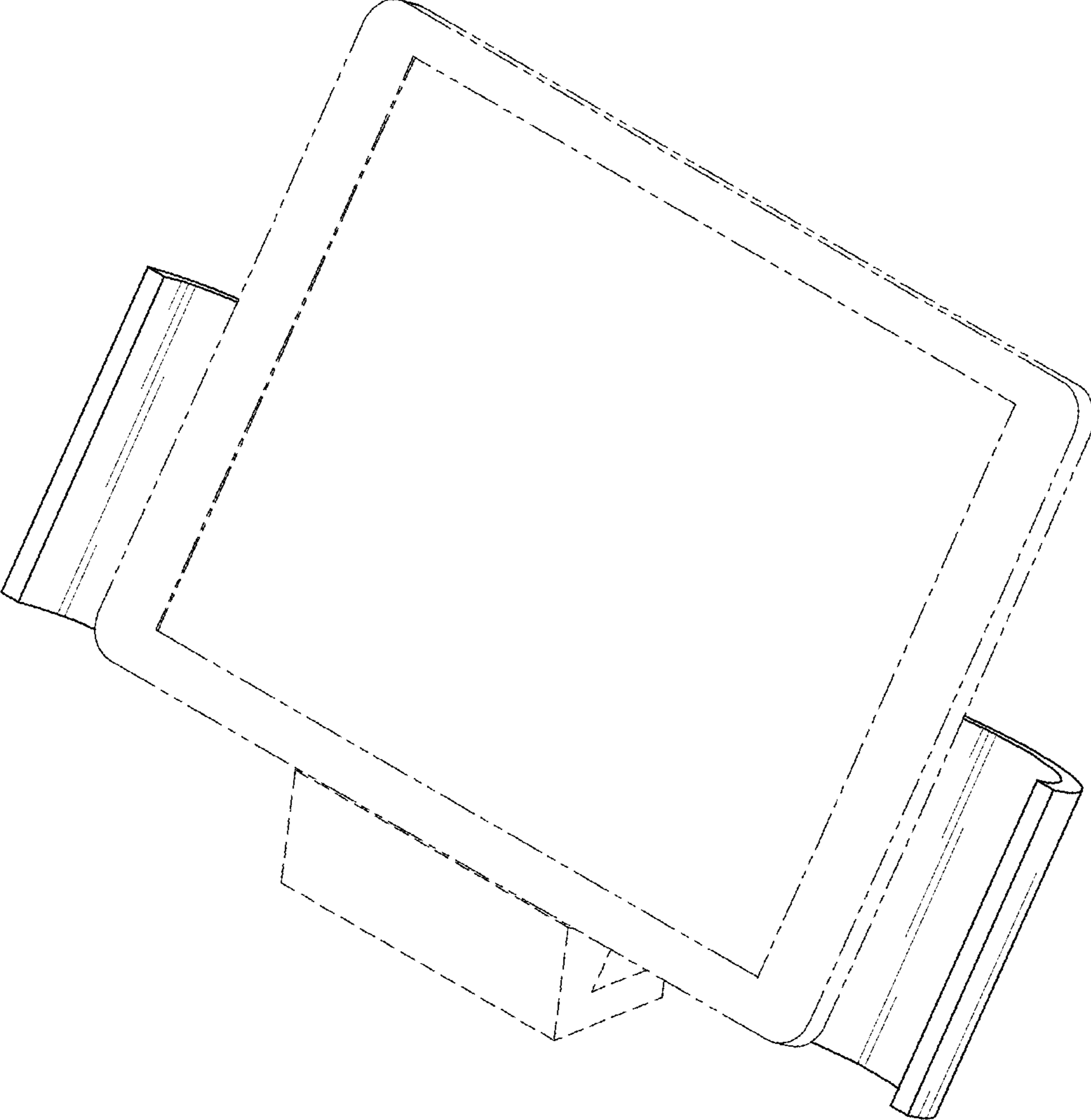


FIG. 8