

US00D692439S

(12) **United States Design Patent**
Muhlenberg

(10) **Patent No.:** **US D692,439 S**

(45) **Date of Patent:** **** Oct. 29, 2013**

(54) **TABLET PC SUPPORT DEVICE**

(71) Applicant: **Sven Muhlenberg**, Fairfield, CT (US)

(72) Inventor: **Sven Muhlenberg**, Fairfield, CT (US)

(**) Term: **14 Years**

(21) Appl. No.: **29/445,694**

(22) Filed: **Feb. 14, 2013**

(51) **LOC (9) Cl.** **08-07**

(52) **U.S. Cl.**
USPC **D14/447**

(58) **Field of Classification Search**
USPC D14/447, 432, 433, 439, 440, 451, 452,
D14/239, 217, 224.1, 251, 252, 253, 457,
D14/458, 459, 460, 461, 434, 205, 209.1,
D14/223; D6/406.1, 406.2, 406.3, 406.4,
D6/406.5, 406.6; D12/415; 361/679.09,
361/679.21, 679.22, 679.24, 679.26,
361/679.27, 679.28, 679.3, 679.55, 679.56,
361/709; 248/917-924, 133, 136, 139, 150,
248/176.1, 188.6; D13/108, 110; D8/363;
D21/333

See application file for complete search history.

D654,054 S * 2/2012 Kohte et al. D14/217
D658,651 S * 5/2012 Lee et al. D14/452
8,238,086 B2 * 8/2012 Ou 361/679.21
D670,295 S * 11/2012 Prescott et al. D14/447
D671,110 S * 11/2012 Choi D14/253
D673,555 S * 1/2013 Sanlville D14/251
D674,805 S * 1/2013 Vincent D14/447
D677,261 S * 3/2013 Hsu et al. D14/447
D678,297 S * 3/2013 Willkomm D14/447
D686,216 S * 7/2013 Hachadorian et al. D14/447

* cited by examiner

Primary Examiner — Angela J Lee

(74) *Attorney, Agent, or Firm* — Gulf Coast Intellectual Property Group

(57) **CLAIM**

The ornamental design for a tablet PC support device, as shown and described.

DESCRIPTION

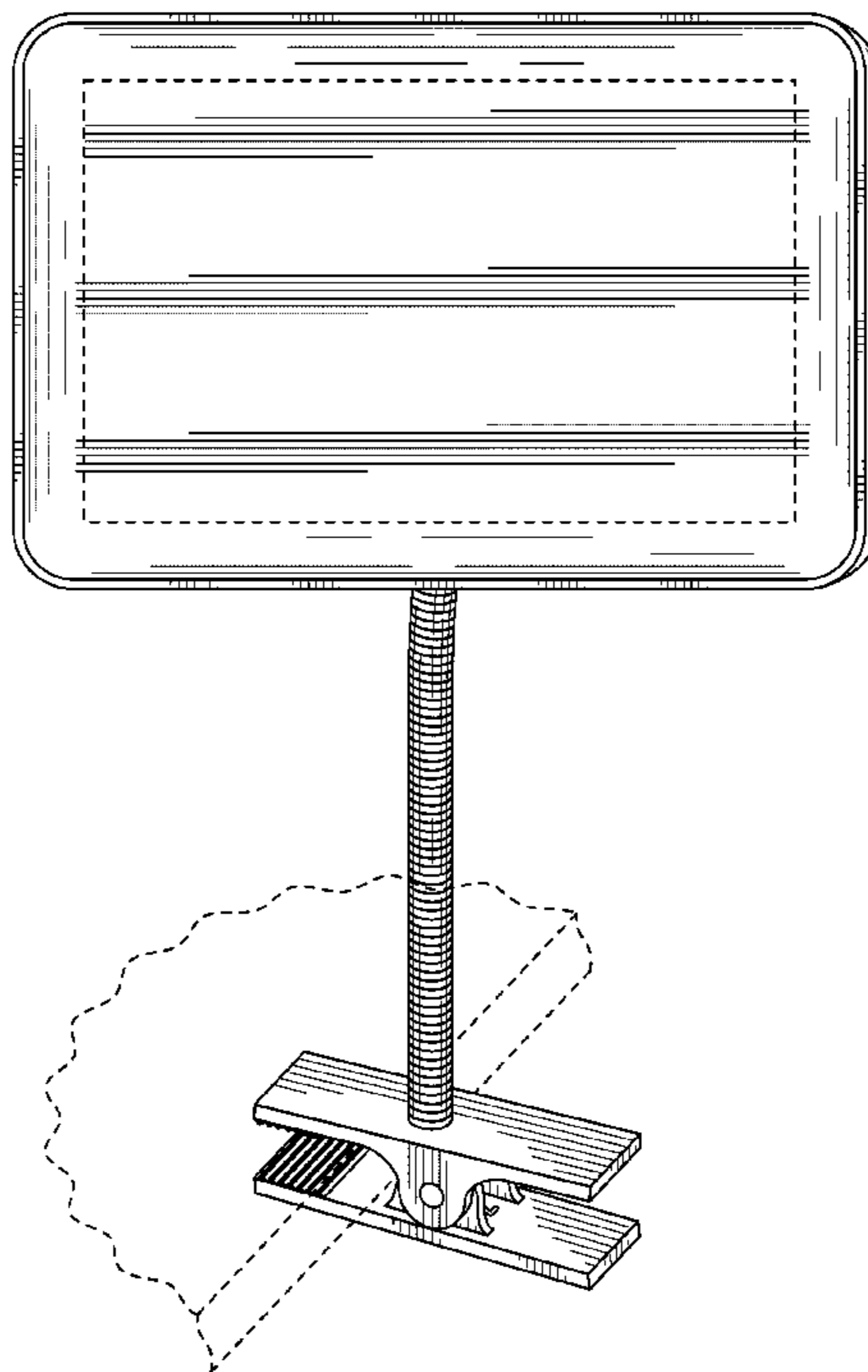
FIG. 1 is a front view of the present invention; and
FIG. 2 is a rear view of the present invention; and
FIG. 3 is a right side view of the present invention; and
FIG. 4 is a left side view of the present invention; and
FIG. 5 is a top view of the present invention engaged with a user; and
FIG. 6 is a bottom view of the present invention; and,
FIG. 7 is a perspective view of the present invention, but shown in an alternate rotated position.
The superimposed broken lines are included for the purpose of showing use and environment and form no part of the claimed design.

(56) **References Cited**

U.S. PATENT DOCUMENTS

D549,709 S * 8/2007 Richter D14/447
D602,913 S * 10/2009 Han et al. D14/217
D640,707 S * 6/2011 Yeh D14/447

1 Claim, 4 Drawing Sheets



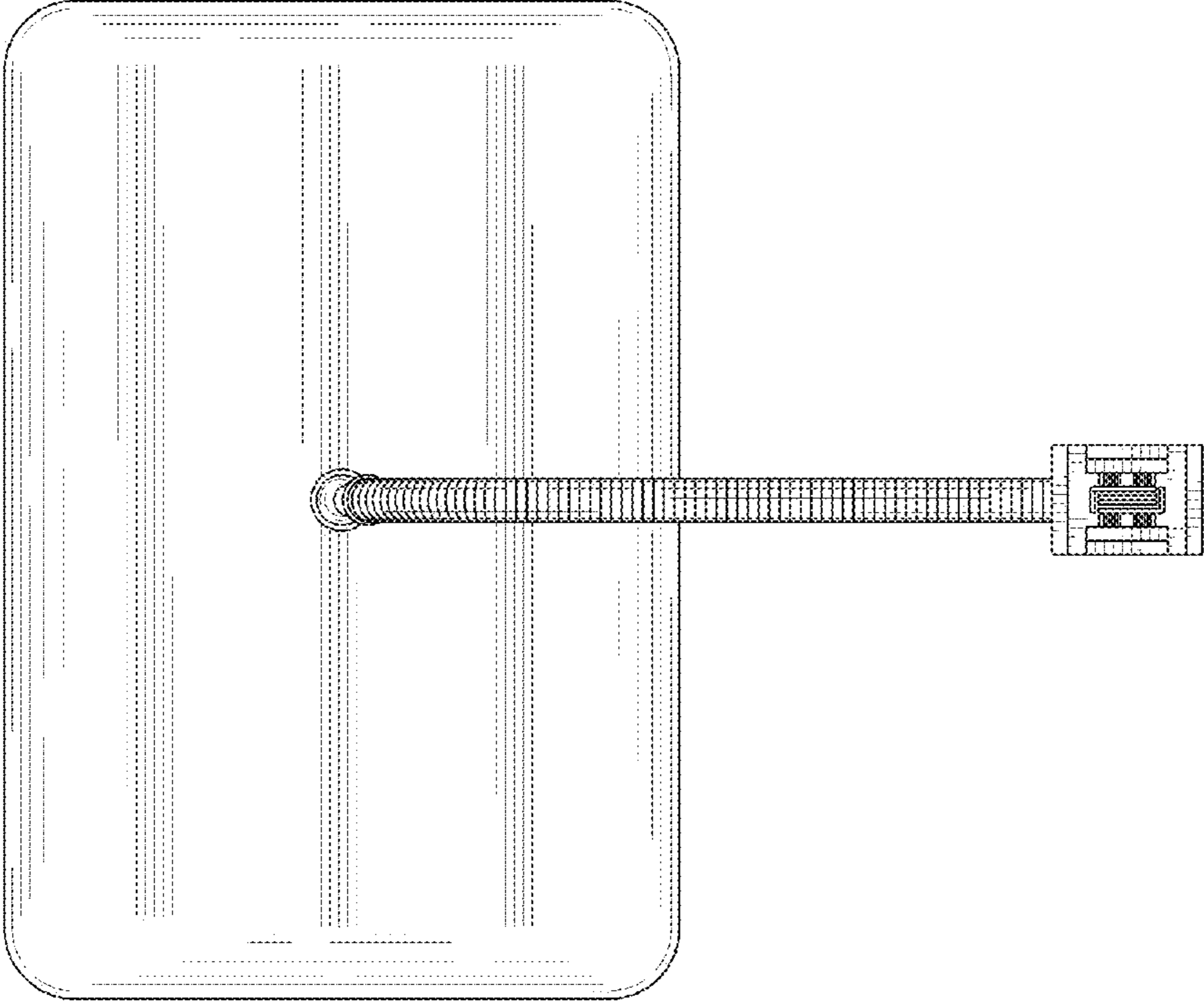


FIG. 1

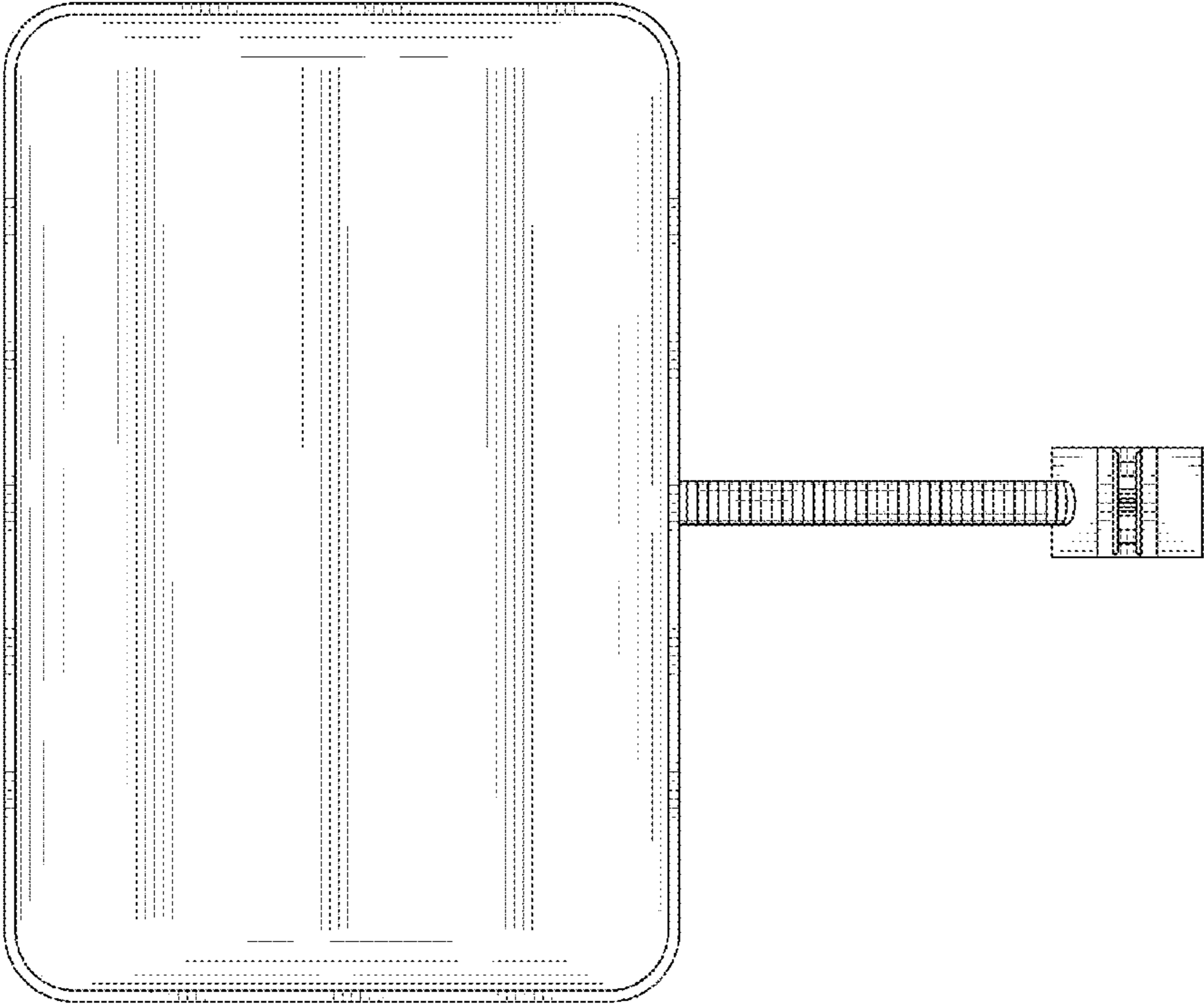


FIG. 2

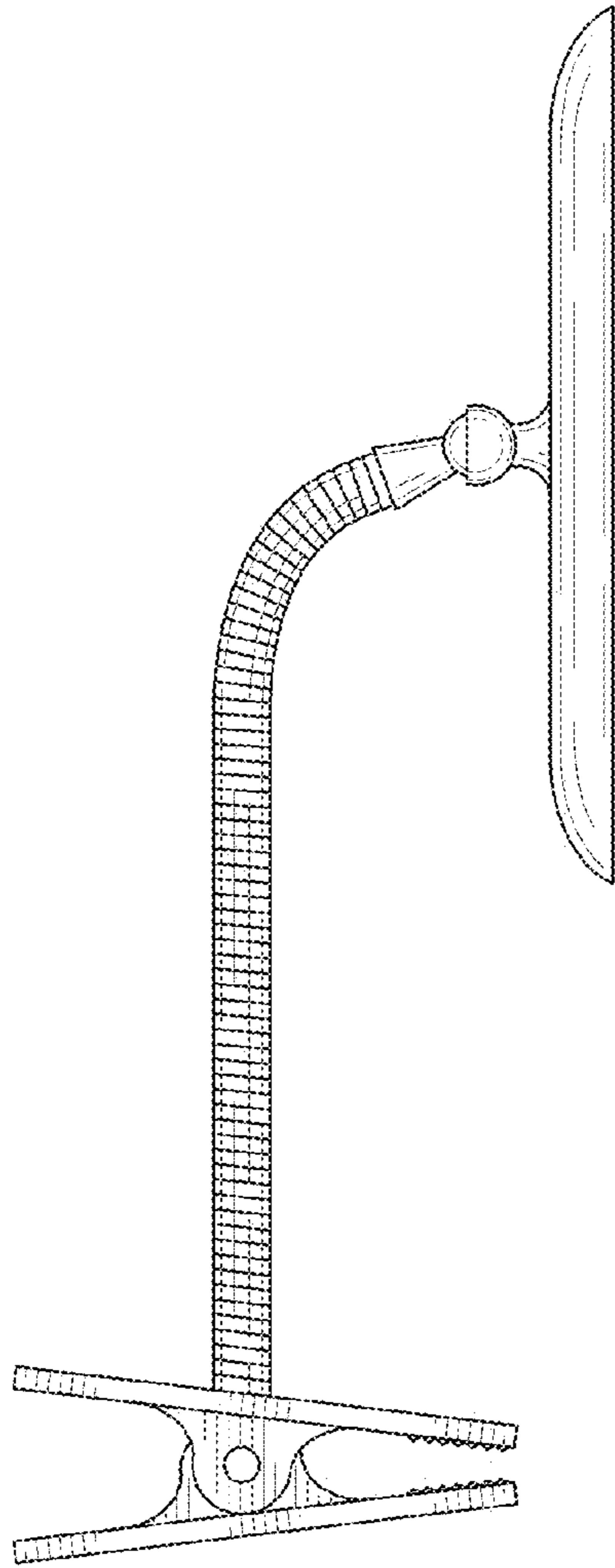


FIG. 3

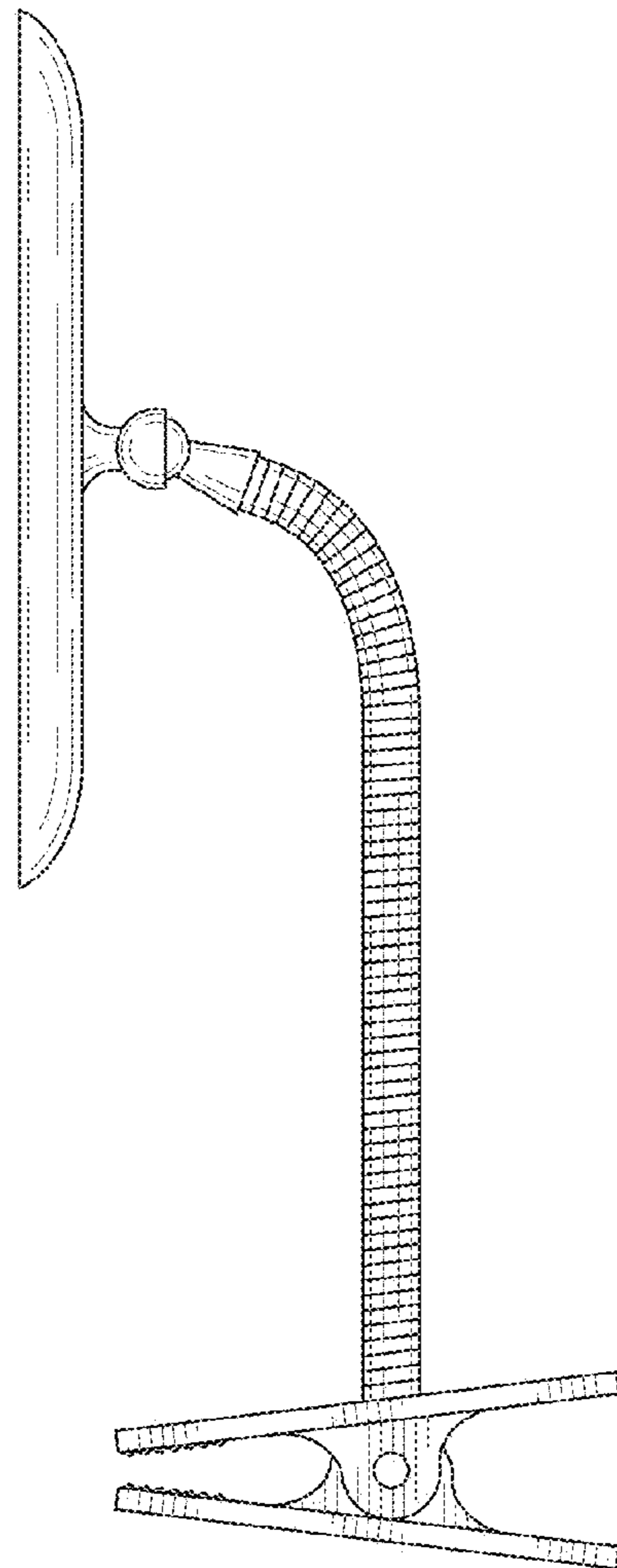


FIG. 4

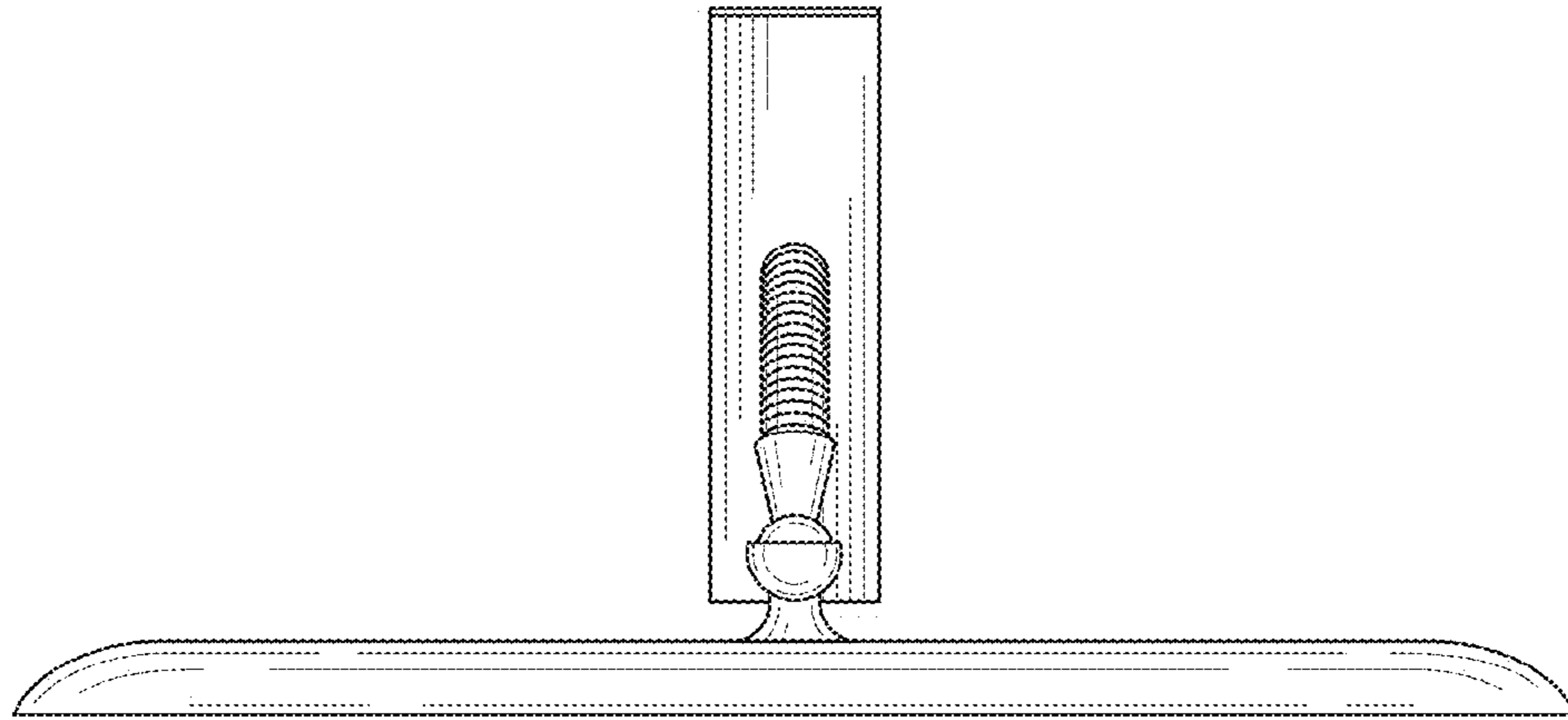


FIG. 5

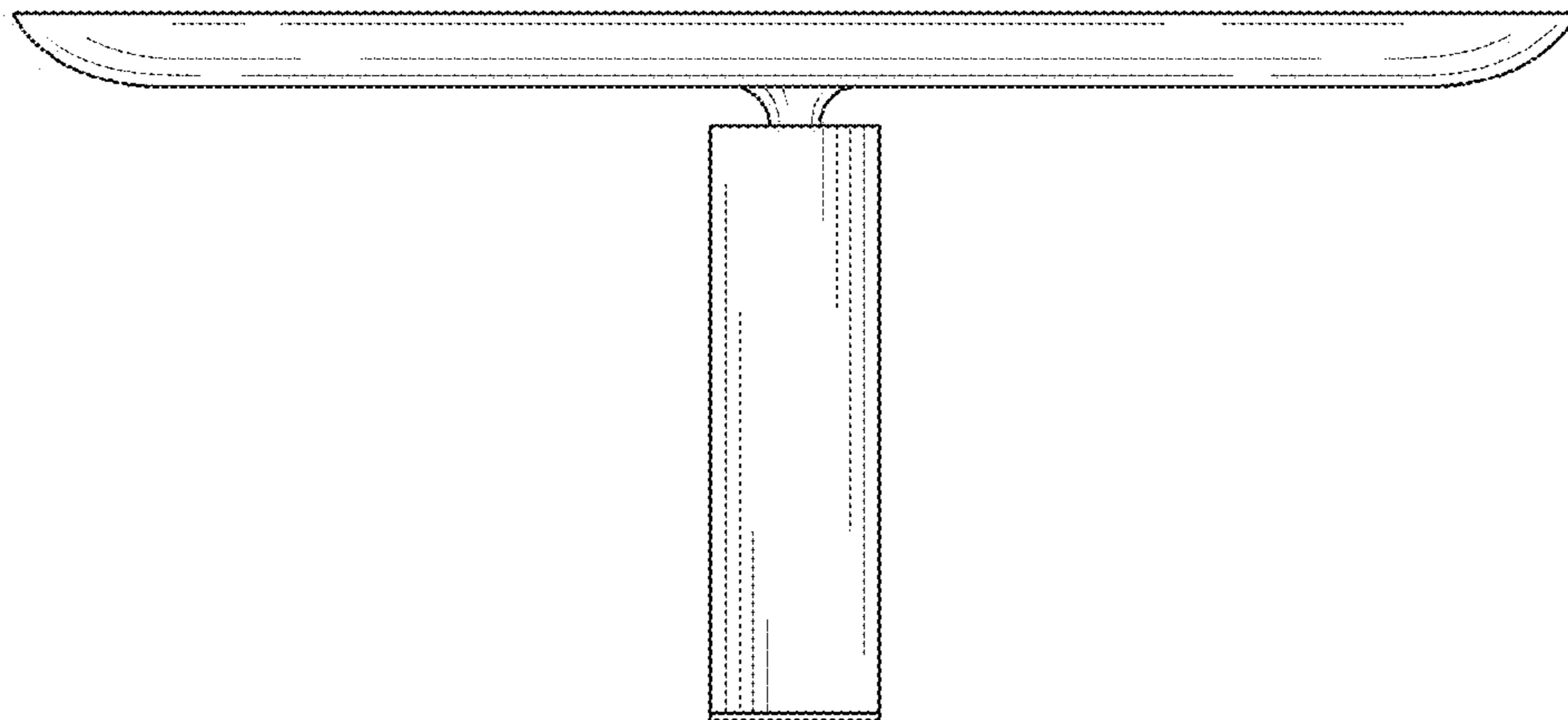


FIG. 6

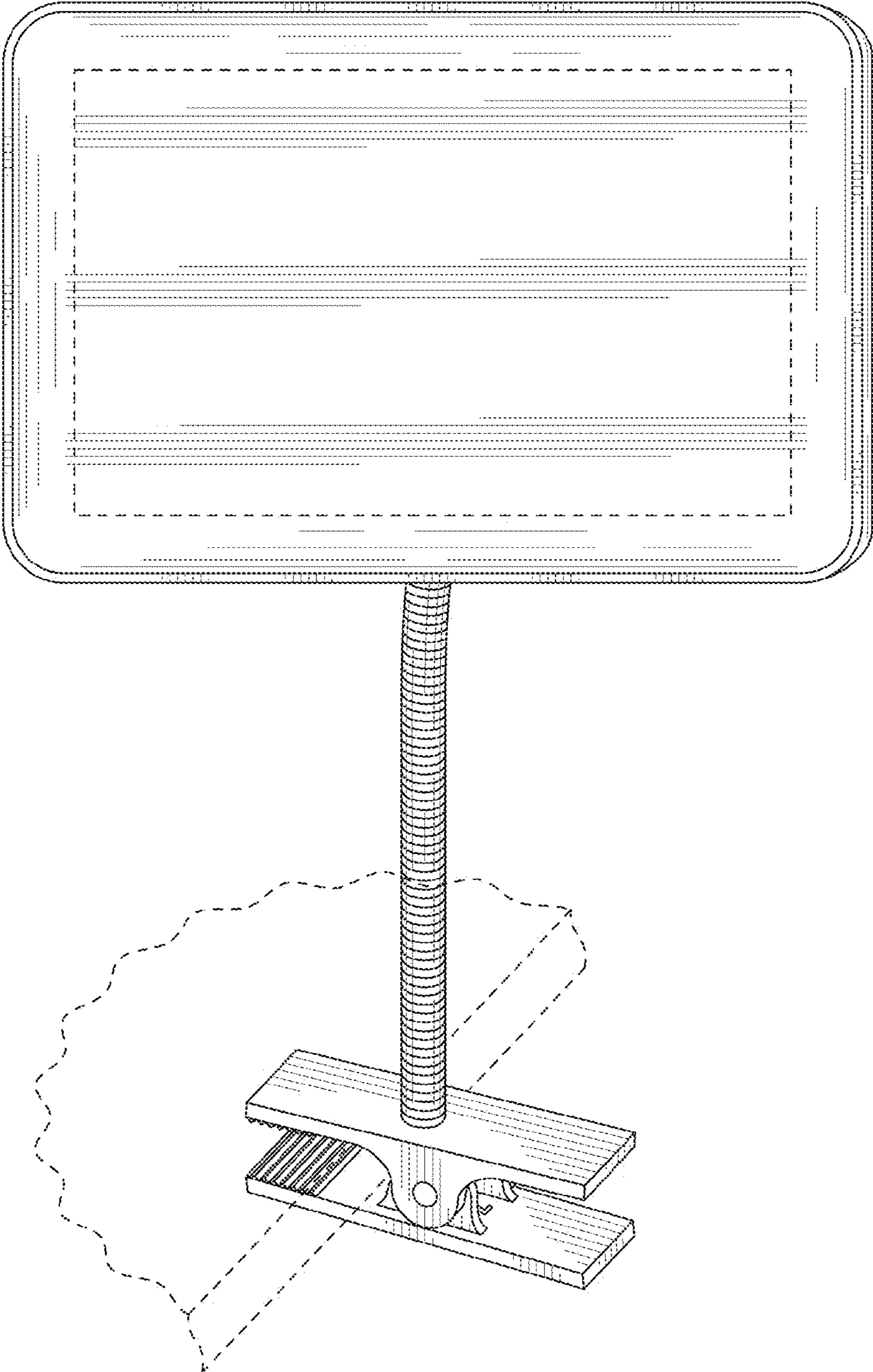


FIG. 7