

US00D692437S

(12) **United States Design Patent**  
**Sugino et al.**

(10) **Patent No.:** **US D692,437 S**  
(45) **Date of Patent:** **\*\* Oct. 29, 2013**

(54) **ELECTRONIC COMPUTER STAND**

(71) Applicant: **Nintendo Co., Ltd.**, Kyoto (JP)

(72) Inventors: **Kenichi Sugino**, Kyoto (JP); **Yui Ehara**,  
Kyoto (JP); **Takaki Fujino**, Kyoto (JP);  
**Yuko Zenri**, Kyoto (JP); **Junichiro**  
**Miyatake**, Kyoto (JP); **Takayoshi**  
**Matsui**, Kyoto (JP); **Tetsuya Akama**,  
Kyoto (JP); **Kochi Kawai**, Kyoto (JP);  
**Kazuhiko Koriyama**, Kyoto (JP)

(73) Assignee: **Nintendo Co., Ltd.**, Kyoto (JP)

(\*\*) Term: **14 Years**

(21) Appl. No.: **29/439,975**

(22) Filed: **Dec. 18, 2012**

(30) **Foreign Application Priority Data**

Jun. 18, 2012 (JP) ..... 2012-014499

(51) **LOC (9) Cl.** ..... **08-07**

(52) **U.S. Cl.**  
USPC ..... **D14/447**

(58) **Field of Classification Search**  
USPC ..... D14/447, 432, 434, 439, 448, 451, 452,  
D14/457, 239, 250, 251, 253, 238.1, 440,  
D14/205, 223, 224, 224.1, 229; D13/108;  
D6/406.1, 406.2, 406.3, 406.4, 406.5,  
D6/406.6, 601; 248/917-924, 363, 445,  
248/447, 451, 455, 456, 460, 371, 166, 434,  
248/188.6; 361/726, 679.02, 679.09,  
361/679.21, 679.22, 679.26, 679.27,  
361/679.29, 679.3, 679.55, 679.56;  
D21/333

See application file for complete search history.

(56) **References Cited**

U.S. PATENT DOCUMENTS

D350,536 S *	9/1994	McKnight et al. ....	D14/447
D393,451 S *	4/1998	Faranda et al. ....	D14/434
D413,108 S *	8/1999	Suzuki .....	D14/434
D415,740 S *	10/1999	Lee et al. ....	D14/434
D416,548 S *	11/1999	Sugano et al. ....	D14/434
D427,573 S *	7/2000	Wiggins .....	D14/457
D574,383 S *	8/2008	Maruyama et al. ....	D14/434
D575,350 S *	8/2008	Ashida et al. ....	D21/333
D588,139 S *	3/2009	Fujino et al. ....	D14/447
D589,962 S	4/2009	Maruyama et al.	
D598,920 S	8/2009	Fujino et al.	
D637,194 S *	5/2011	Kuroda et al. ....	D14/447
D641,024 S	7/2011	Zenri et al.	
D647,520 S *	10/2011	Wikel .....	D14/253
D650,448 S	12/2011	Zenri et al.	
D655,351 S	3/2012	Zenri et al.	
D656,500 S	3/2012	Maruyama et al.	
D656,555 S	3/2012	Zenri et al.	
D656,940 S *	4/2012	McClelland et al. ....	D14/447
D661,308 S *	6/2012	Capozzoli, II .....	D14/447
D673,961 S	1/2013	Matsui et al.	

OTHER PUBLICATIONS

U.S. Appl. No. 29/405,245, filed Oct. 31, 2011 (pending).

\* cited by examiner

*Primary Examiner* — Angela J Lee

(74) *Attorney, Agent, or Firm* — Nixon & Vanderhye, P.C.

(57) **CLAIM**

The ornamental design for an electronic computer stand, as shown and described.

**DESCRIPTION**

FIG. 1 is a front, right and bottom perspective view of an electronic computer stand showing our new design; FIG. 2 is a rear, left and top perspective view thereof; FIG. 3 is a front view thereof; FIG. 4 is a rear view thereof; FIG. 5 is a top plan view thereof; FIG. 6 is a bottom plan view thereof; FIG. 7 is a left side view thereof; and, FIG. 8 is a right side view thereof.

**1 Claim, 3 Drawing Sheets**

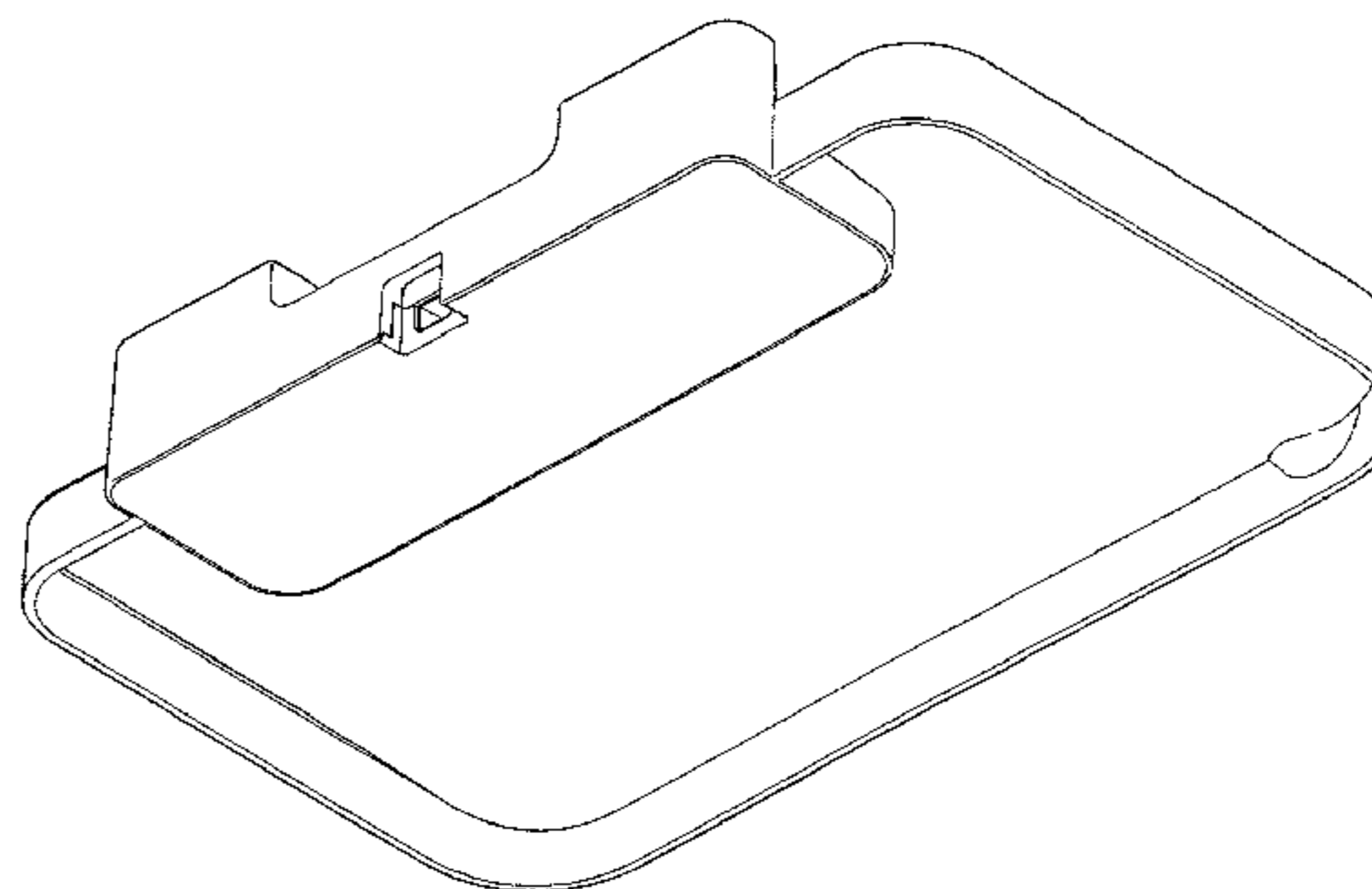
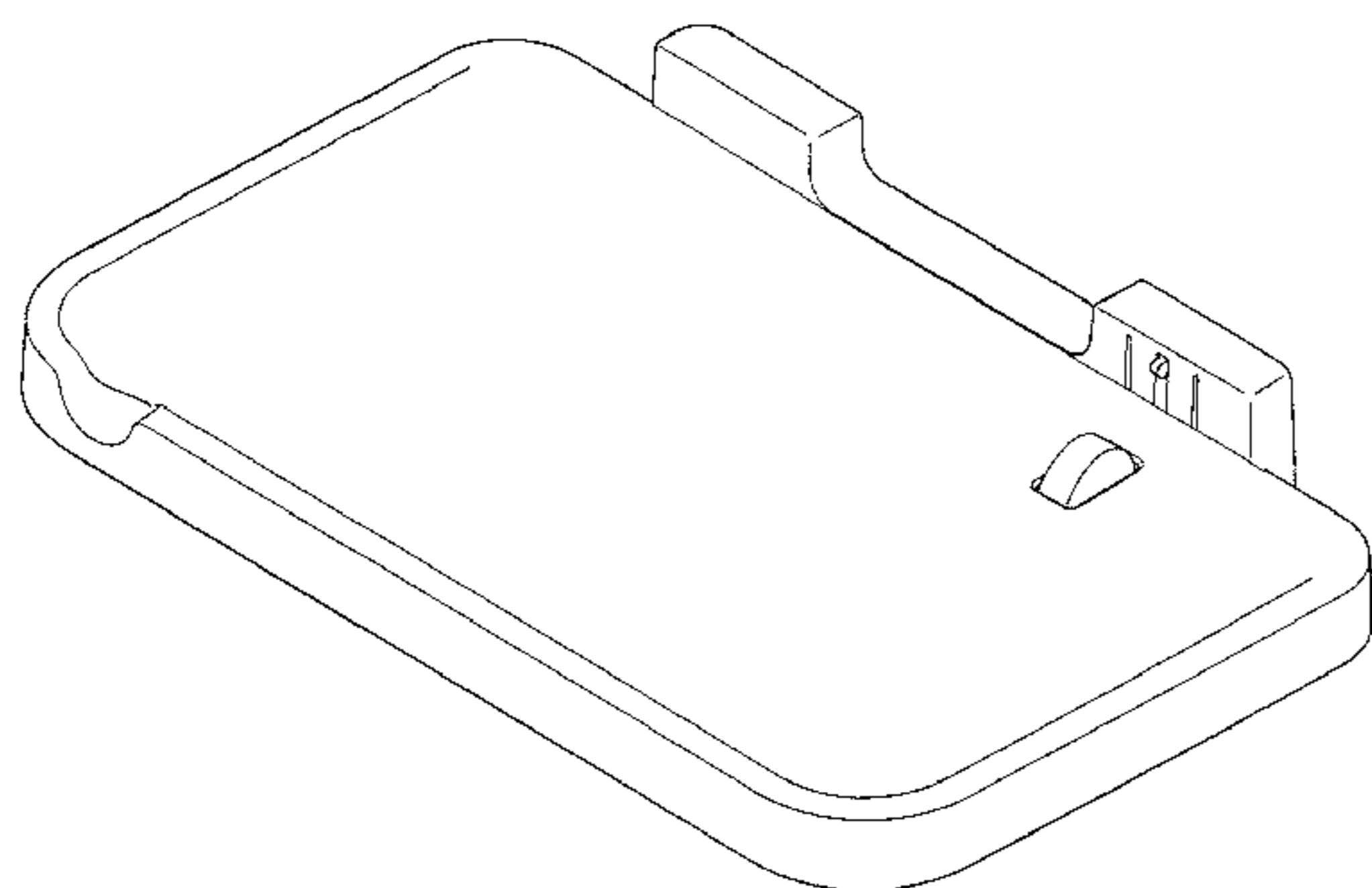


FIG. 1

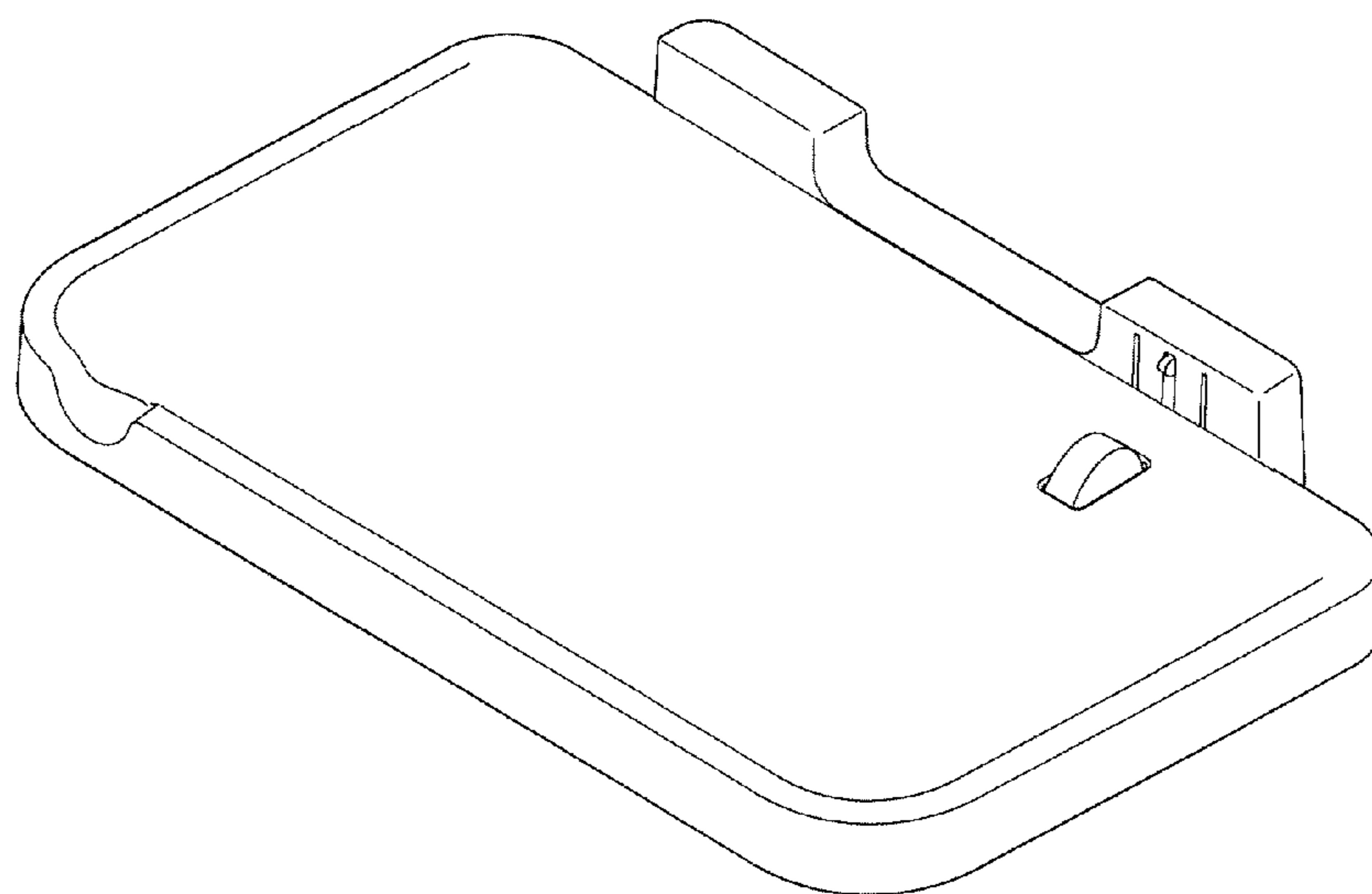


FIG. 2

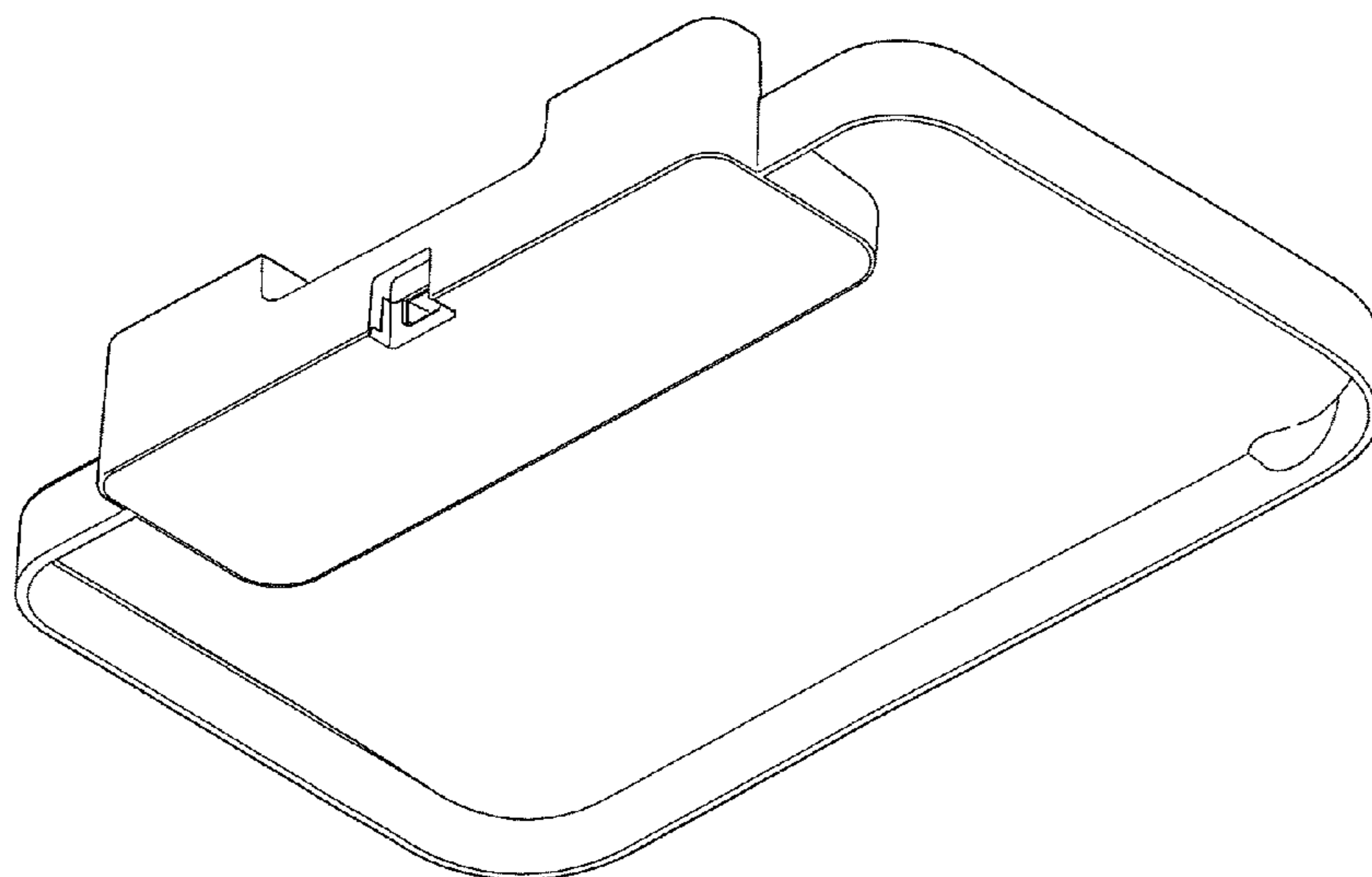


FIG. 3

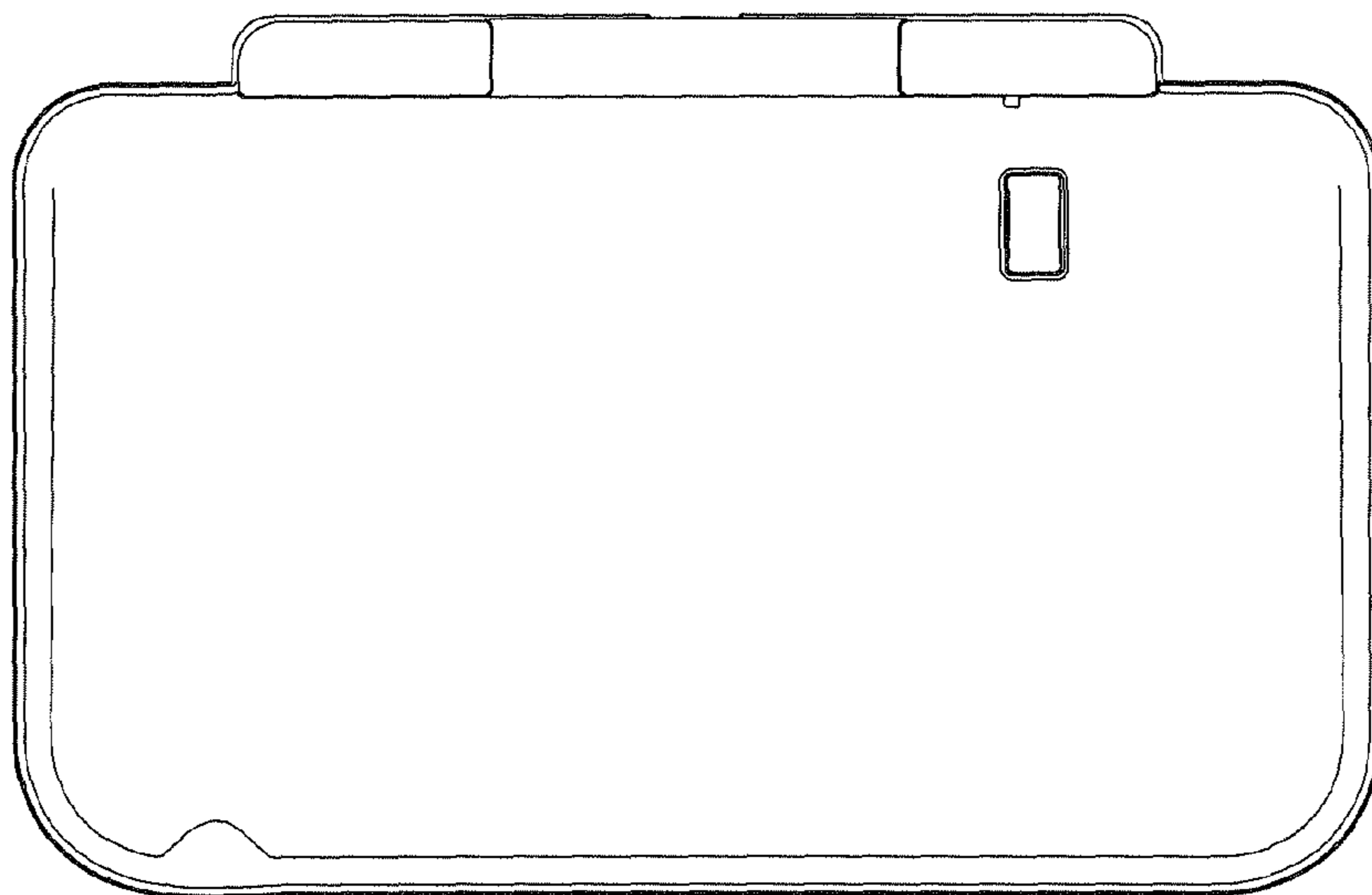


FIG. 4

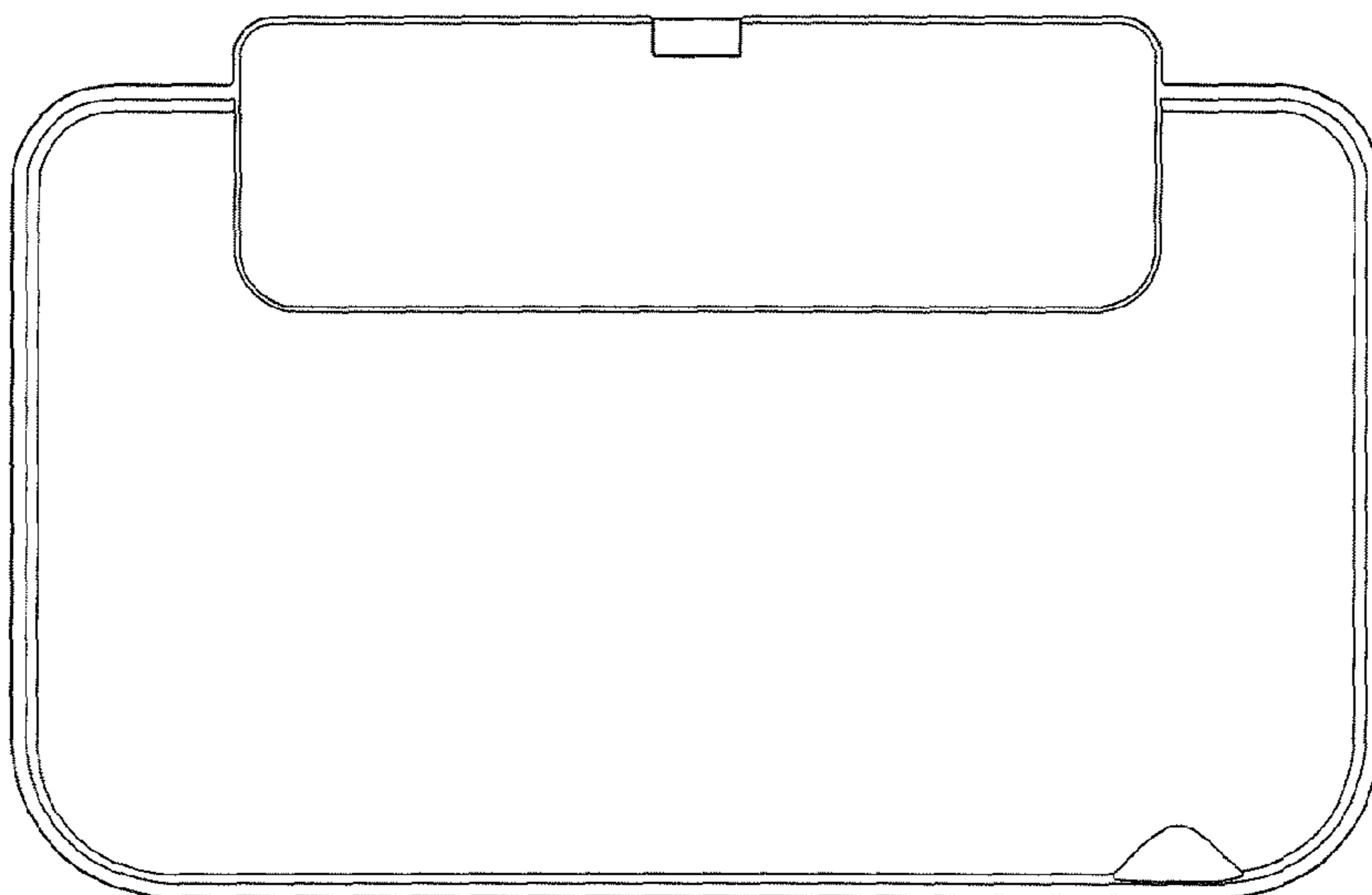


FIG. 5

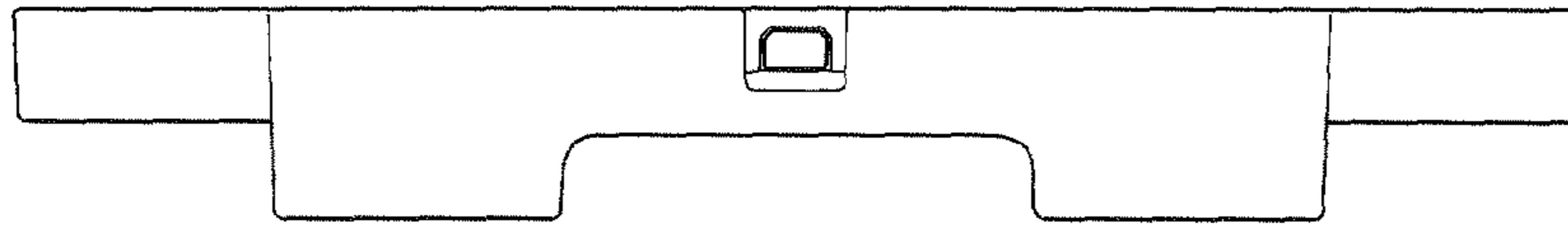


FIG. 6

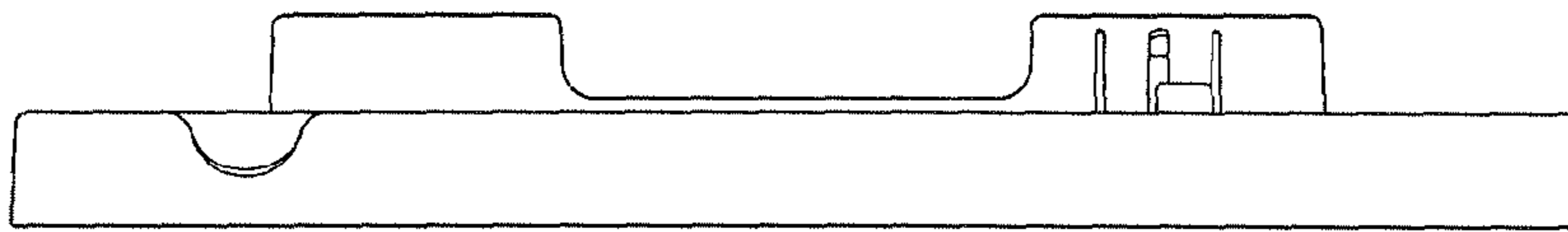


FIG. 7

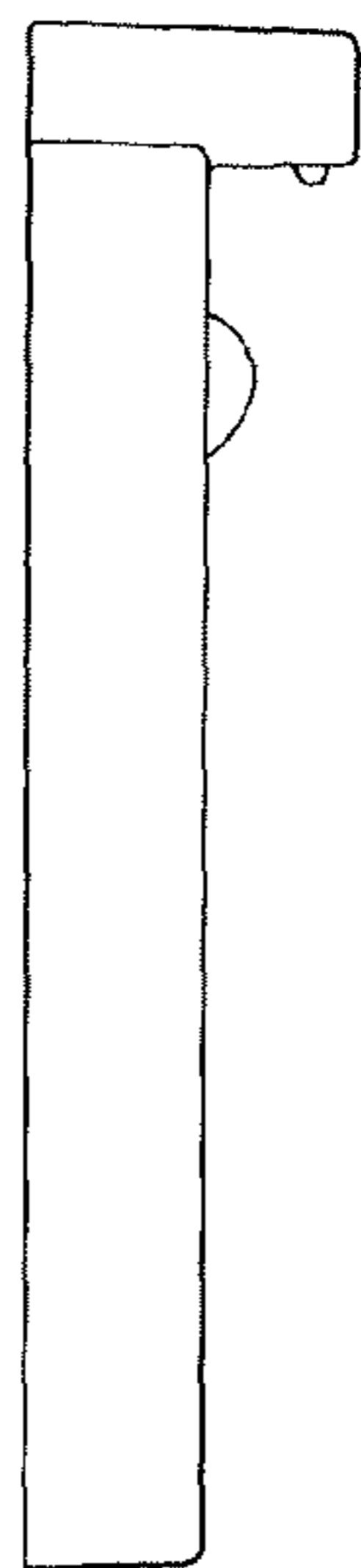


FIG. 8

