



US00D692436S

(12) **United States Design Patent**
Hung

(10) **Patent No.:** **US D692,436 S**

(45) **Date of Patent:** **** Oct. 29, 2013**

(54) **SUPPORT FOR ELECTRONIC PRODUCTS**

(71) Applicant: **Modernsolid Industrial Co., Ltd.**,
Taichung (TW)

(72) Inventor: **Chin-Jui Hung**, Taichung (TW)

(73) Assignee: **Modernsolid Industrial Co., Ltd.**,
Taichung (TW)

(**) Term: **14 Years**

(21) Appl. No.: **29/439,184**

(22) Filed: **Dec. 7, 2012**

(51) **LOC (9) Cl.** **08-07**

(52) **U.S. Cl.**
USPC **D14/447**

(58) **Field of Classification Search**
USPC D14/447, 432, 433, 439, 440, 451, 452,
D14/239, 217, 224.1, 251, 252, 253, 457,
D14/458, 459, 460, 461, 434, 205, 209.1,
D14/223; D6/406.1, 406.2, 406.3, 406.4,
D6/406.5, 406.6; D12/415; 361/679.09,
361/679.21, 679.22, 679.24, 679.26,
361/679.27, 679.28, 679.3, 679.55, 679.56,
361/709; 248/917-924, 133, 136, 139, 150,
248/176.1, 188.6; D13/108, 110; D8/363;
D21/333

See application file for complete search history.

(56) **References Cited**

U.S. PATENT DOCUMENTS

D610,587 S * 2/2010 Bandringa D14/447
D630,222 S * 1/2011 Lin D14/447
D646,674 S * 10/2011 Liao D14/253
D650,774 S * 12/2011 Molter D14/239

D653,668 S * 2/2012 Song et al. D14/447
D657,356 S * 4/2012 Wikel D14/253
D658,189 S * 4/2012 Zhao et al. D14/447
D669,890 S * 10/2012 Hopkins et al. D14/251
D670,691 S * 11/2012 Novak D14/253
D671,950 S * 12/2012 Richter D14/447
D680,547 S * 4/2013 Williams et al. D14/447
D684,979 S * 6/2013 Chun D14/447
D684,980 S * 6/2013 Chun D14/447

* cited by examiner

Primary Examiner — Angela J Lee

(74) *Attorney, Agent, or Firm* — Whyte Hirschboeck Dudek
S.C.

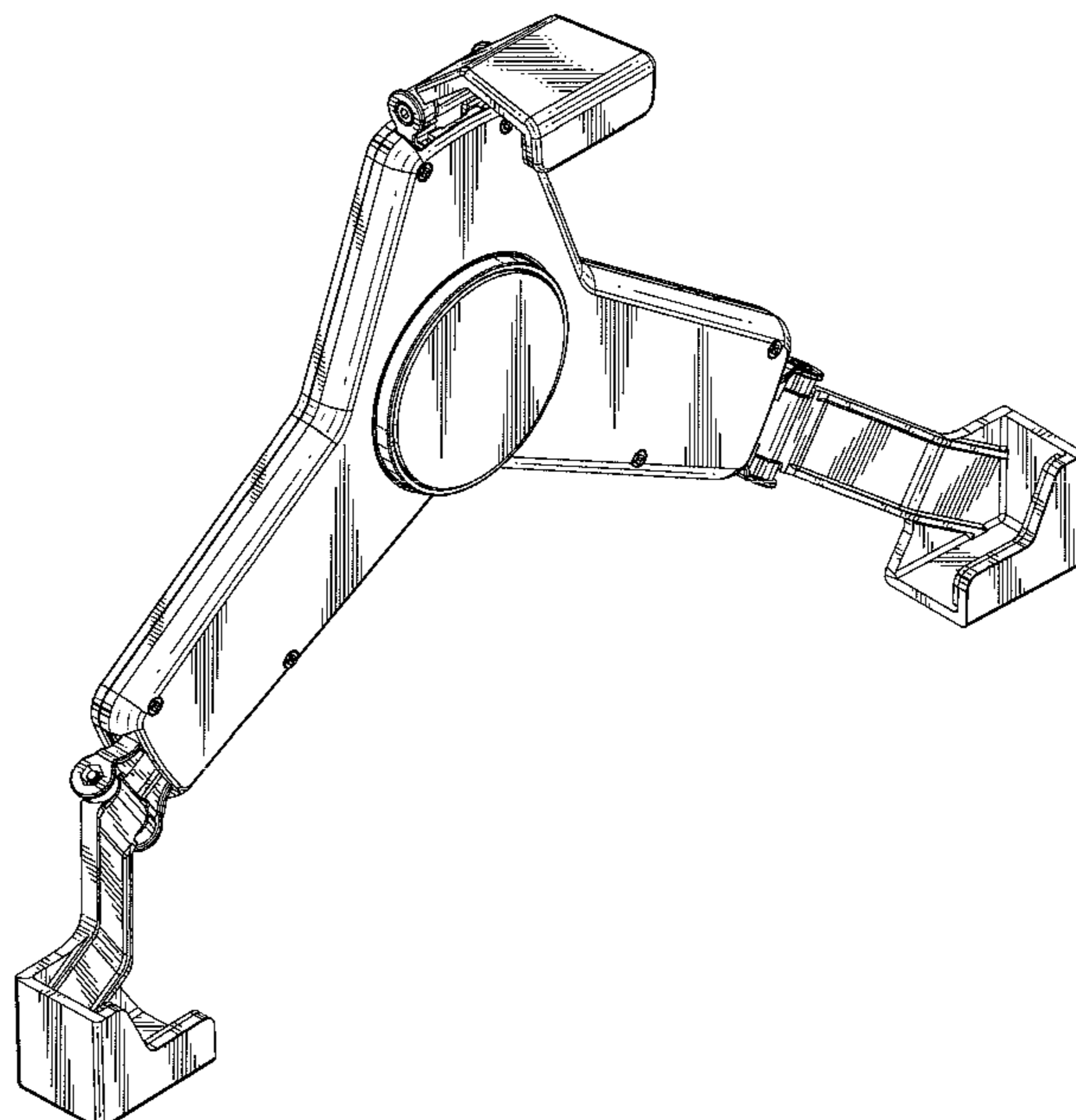
(57) **CLAIM**

The ornamental design for support for electronic products, as
shown and described.

DESCRIPTION

FIG. 1 is a perspective view of support for electronic products
showing my new design;
FIG. 2 is a front elevational view thereof;
FIG. 3 is a rear elevational view thereof;
FIG. 4 is a left side elevational view thereof;
FIG. 5 is a right side elevational view thereof;
FIG. 6 is a top plan view thereof;
FIG. 7 is a bottom plan view thereof; and
FIG. 8 is a perspective view thereof, but showing an alternate
extended position;
FIG. 9 is a right side elevational view of the support for
electronic products showing a state of use;
FIG. 10 is a rear elevational view thereof showing another
state of use; and,
FIG. 11 is a rear elevational view of thereof showing another
state of use.

1 Claim, 9 Drawing Sheets



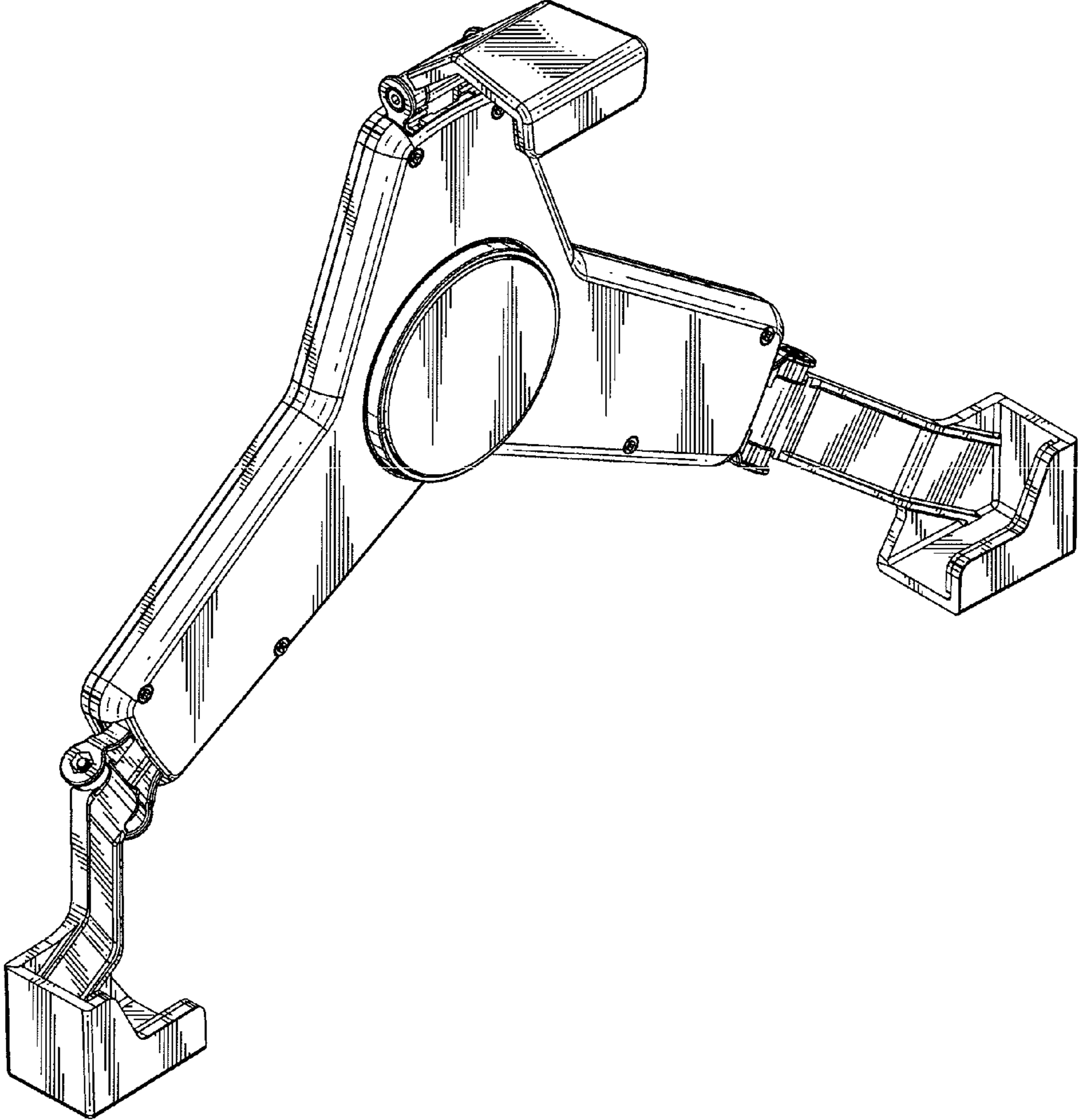


FIG. 1

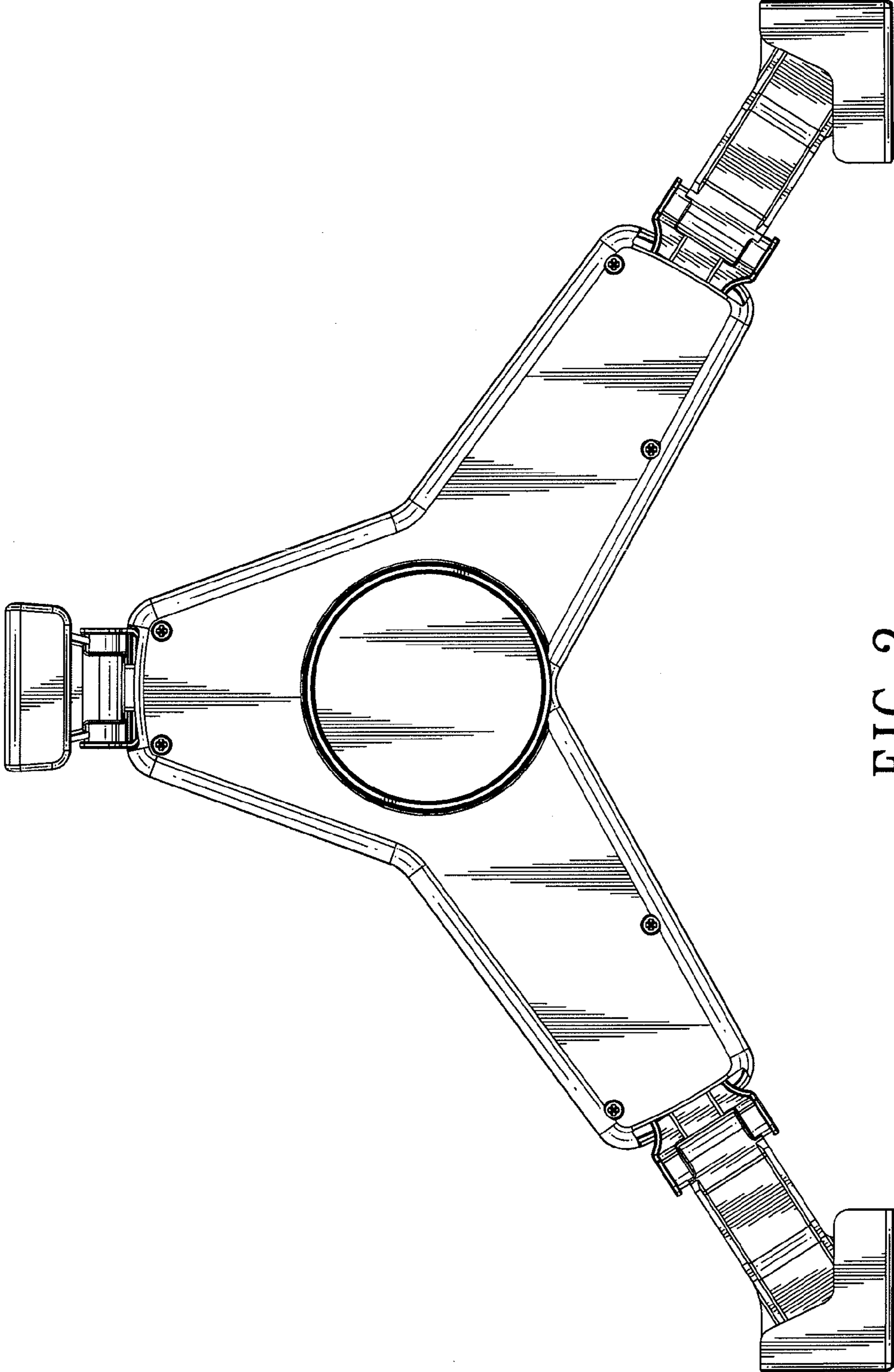


FIG. 2

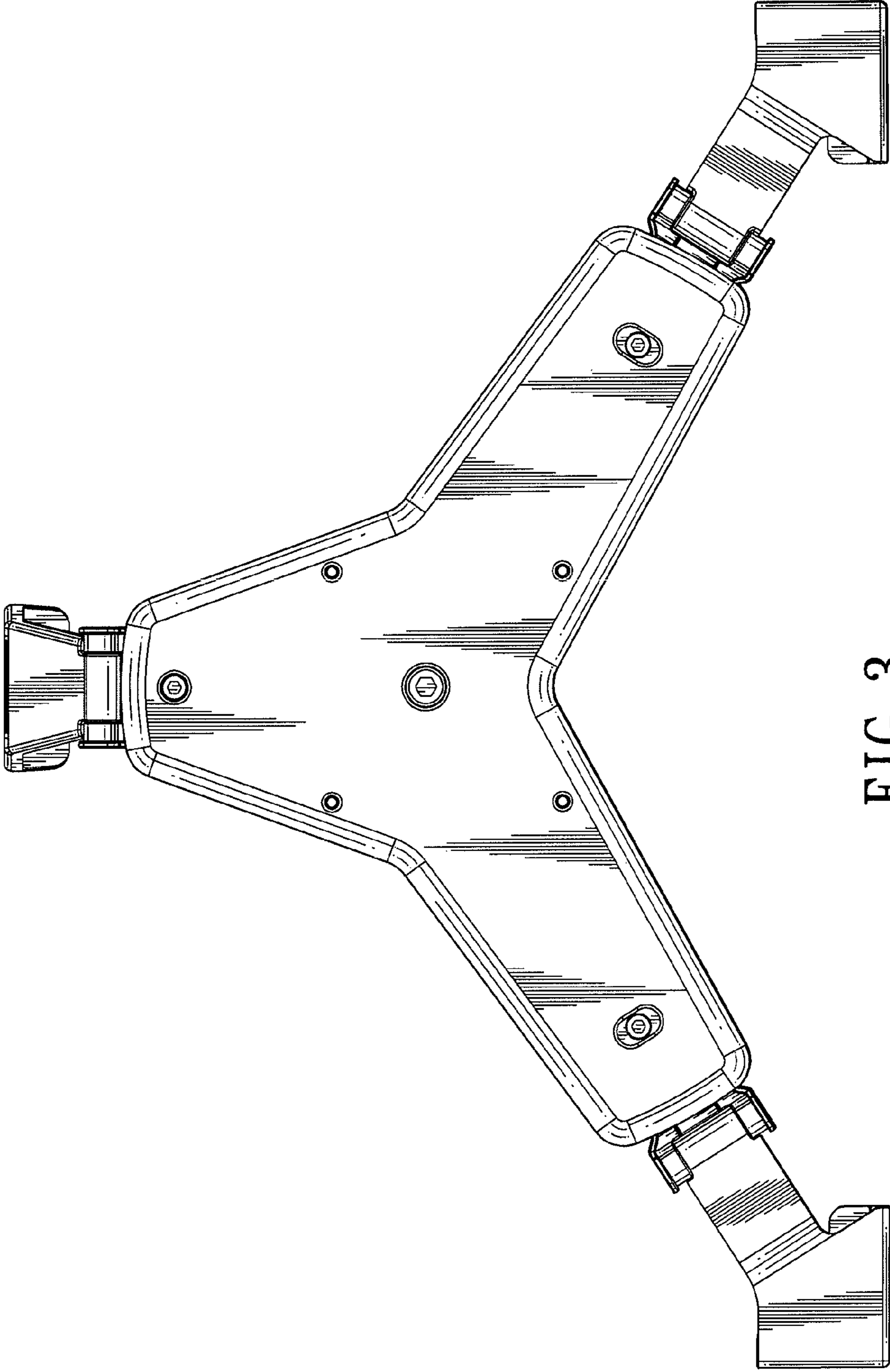


FIG. 3

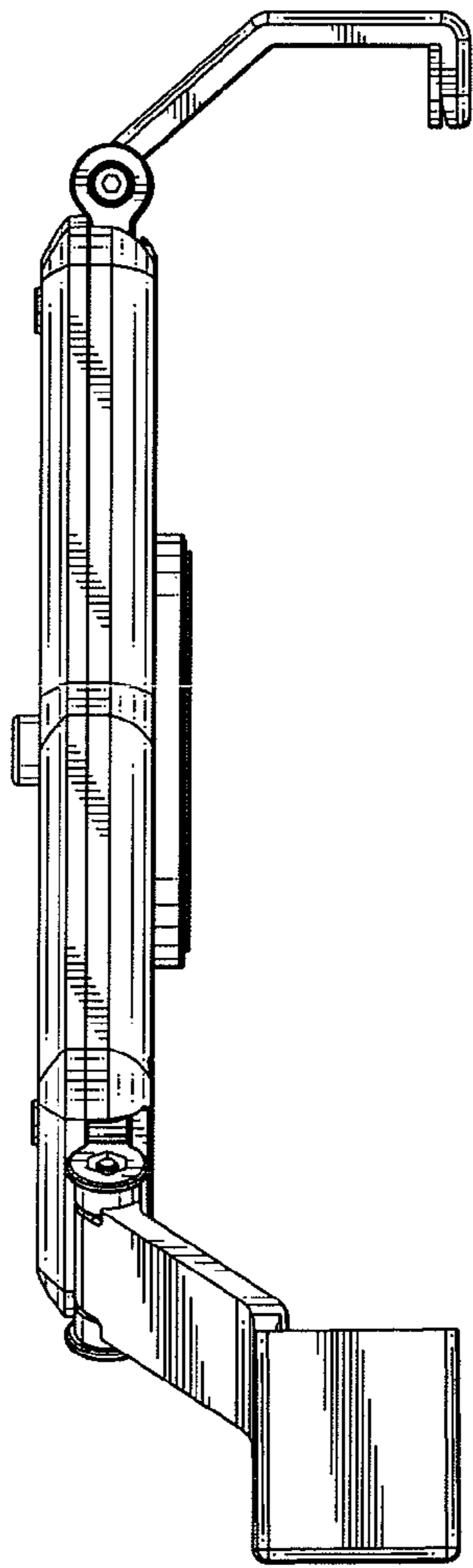


FIG. 4

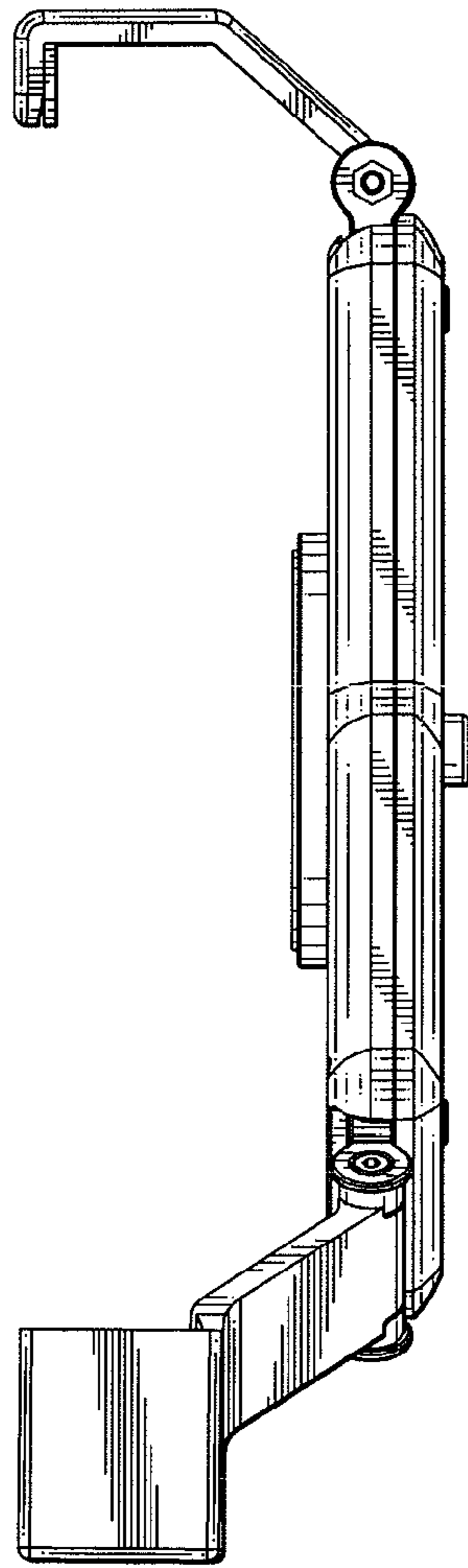


FIG. 5

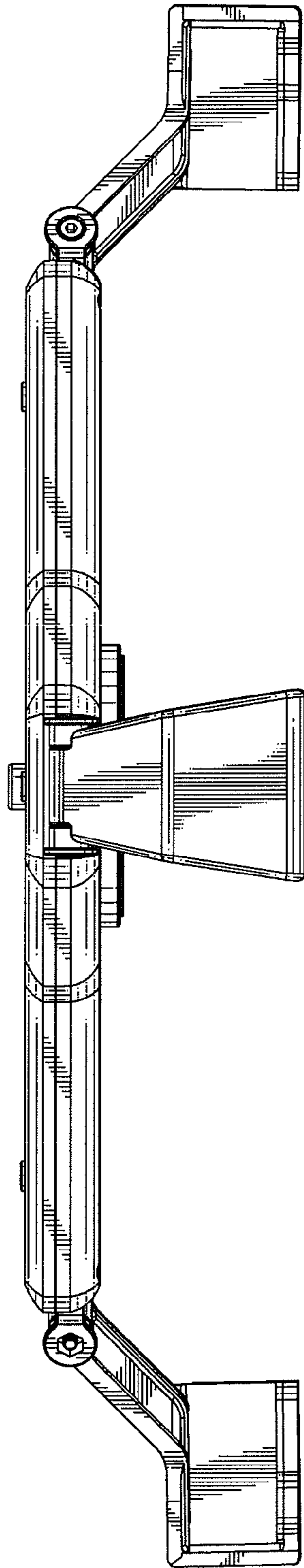


FIG. 6

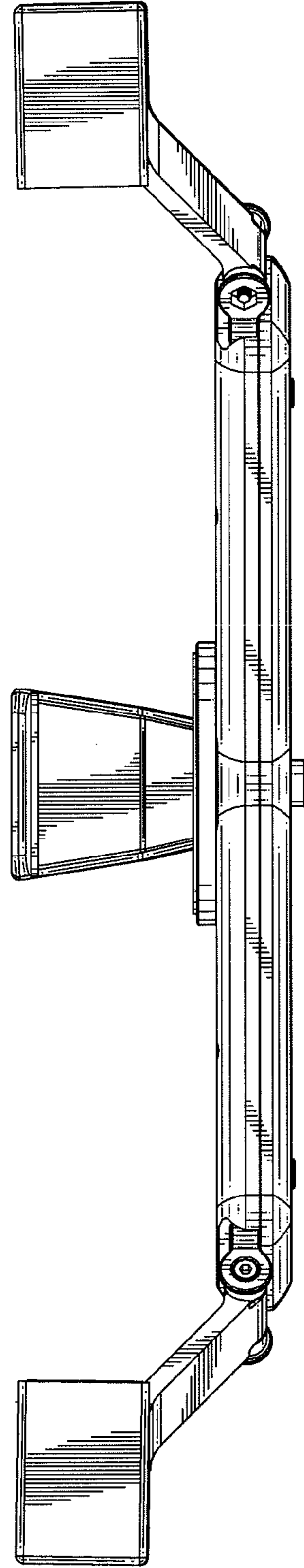


FIG. 7

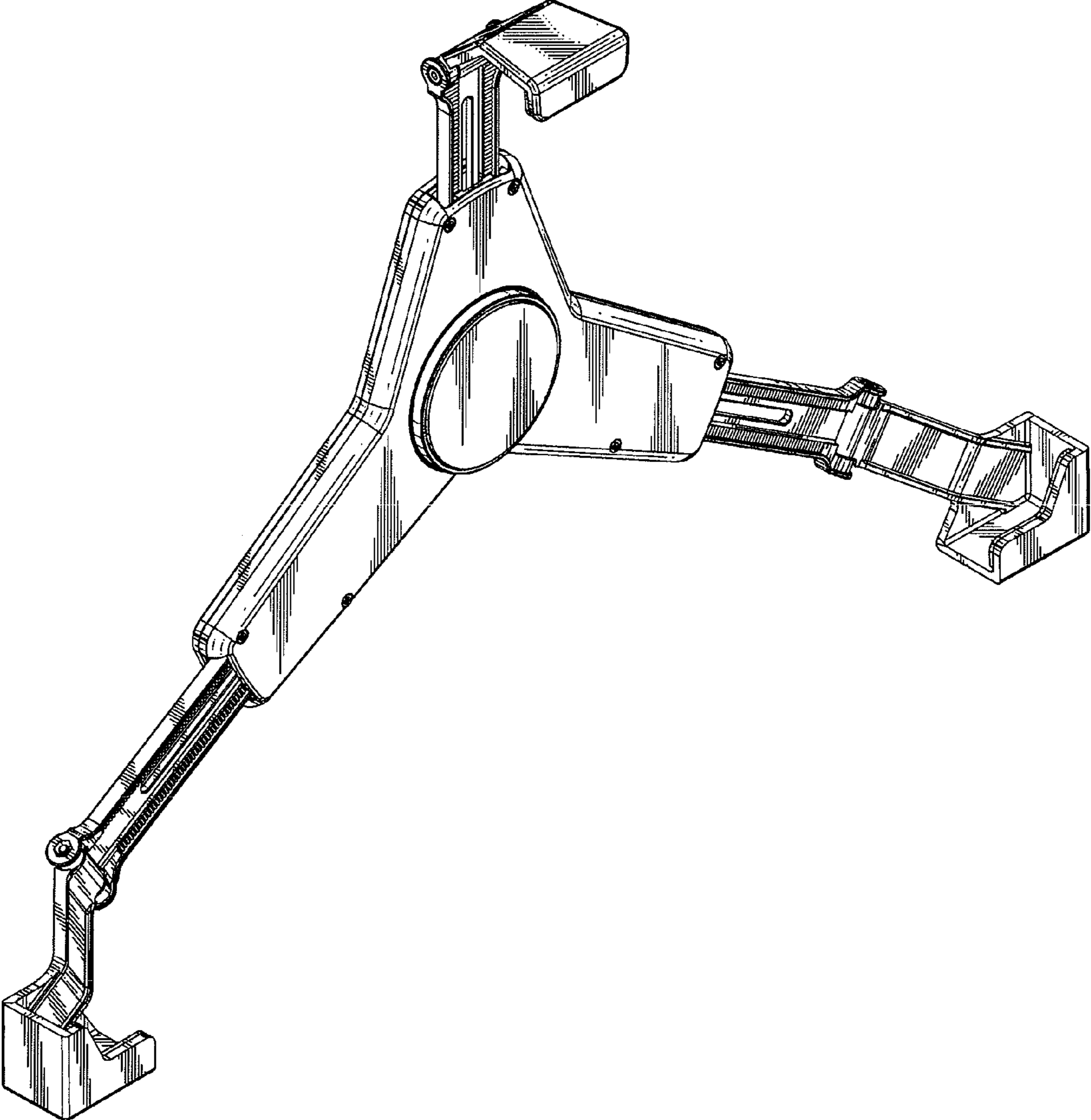


FIG. 8

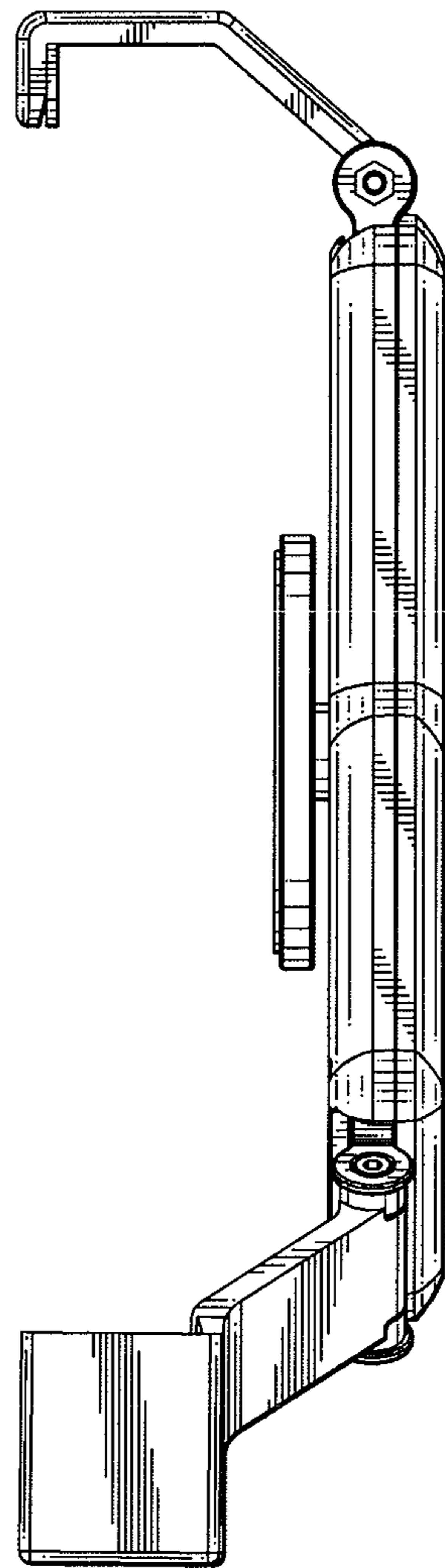


FIG. 9

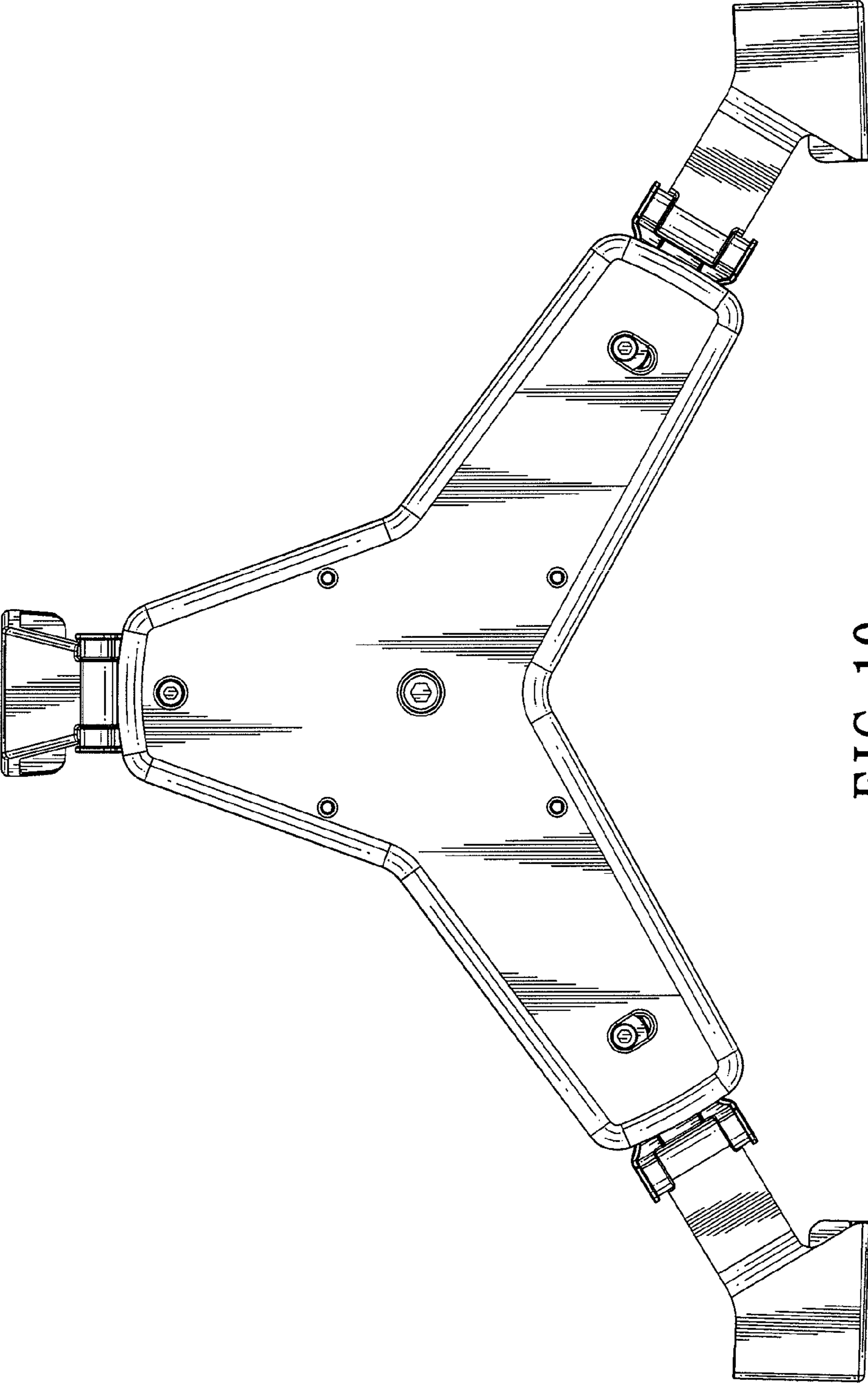


FIG. 10

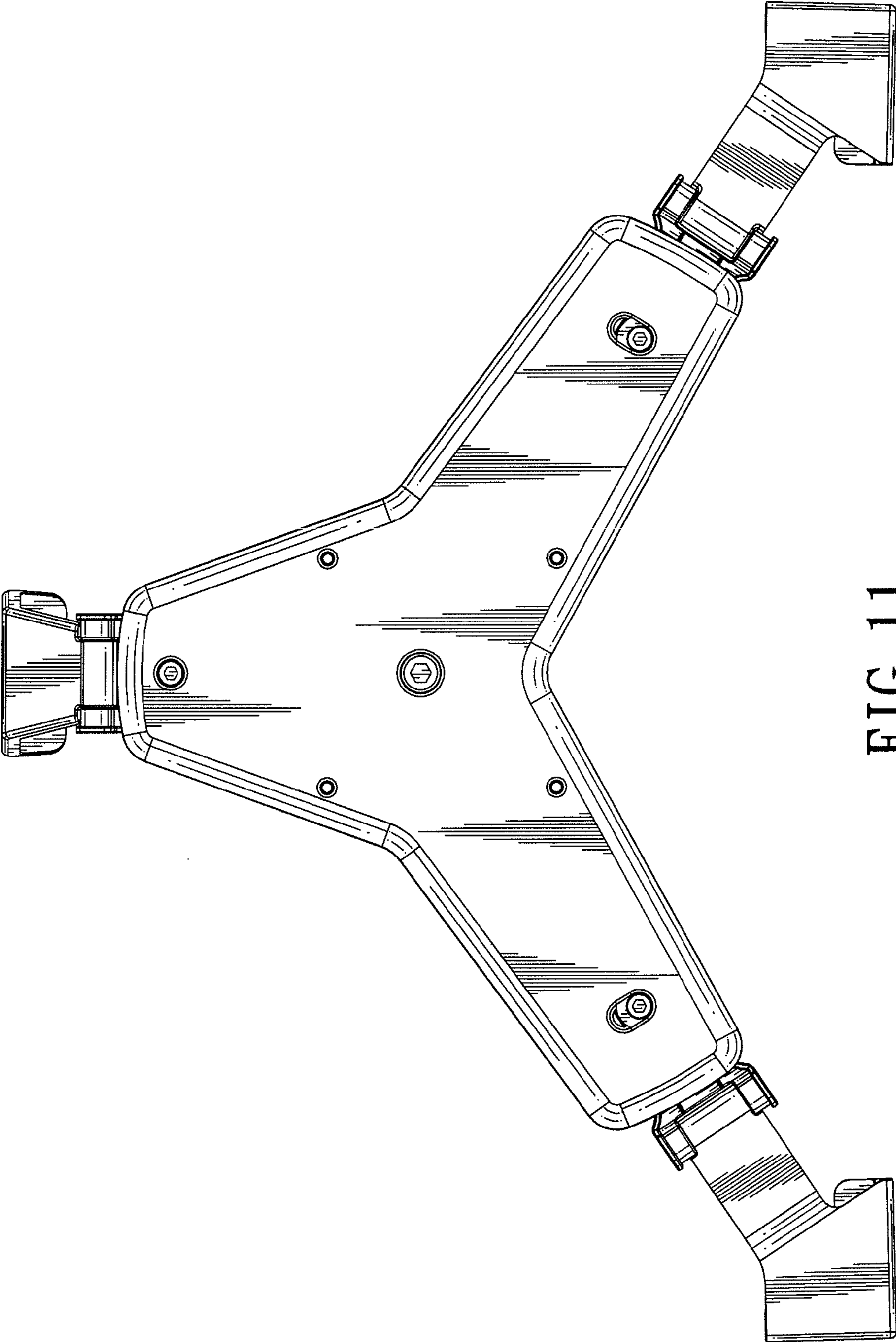


FIG. 11